



MARCA



MODELO

GROOVER 7A3-V23



GROOVER 7A3-V23



www.recaball.com

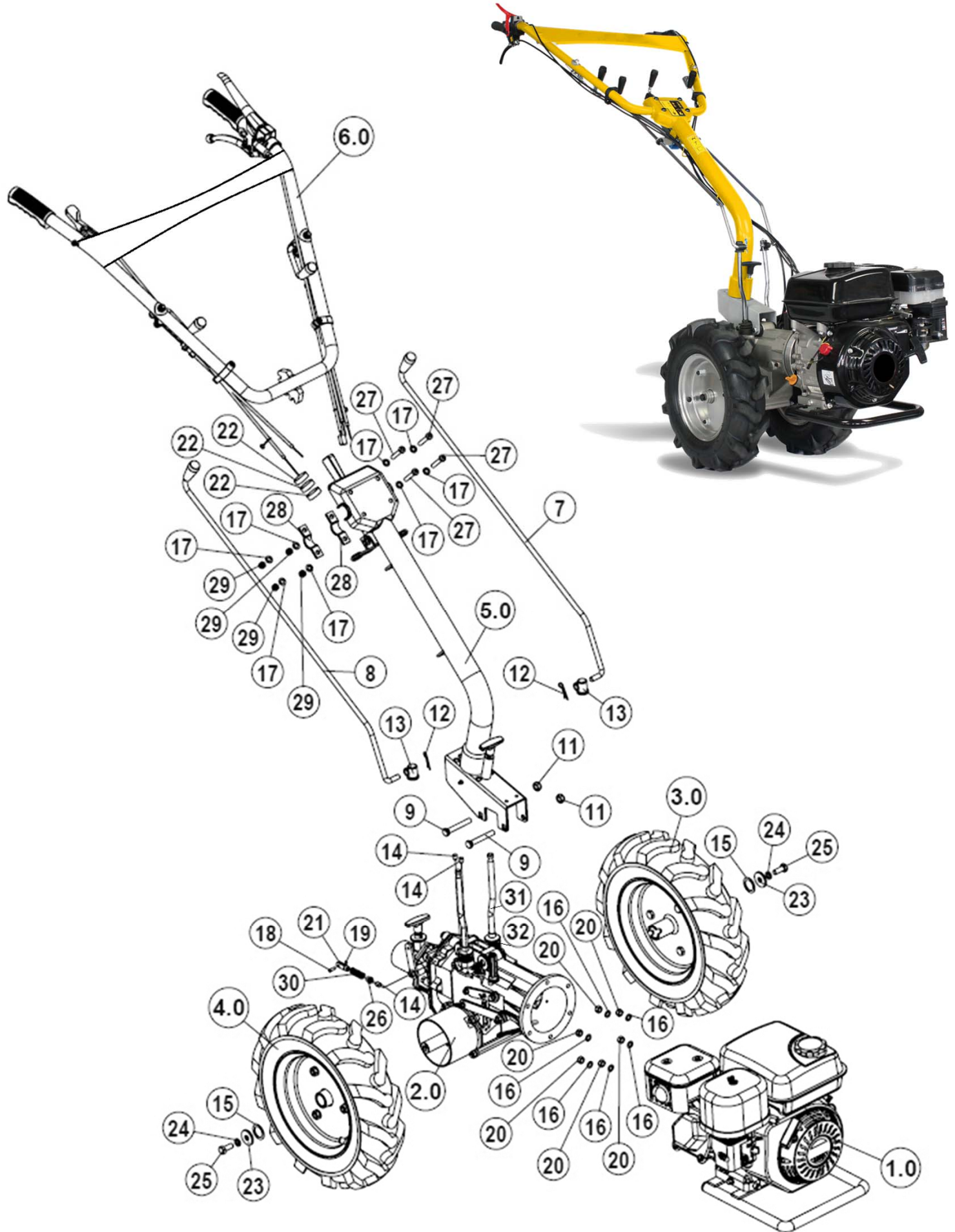


FIG. GENERAL GROOVER 7A3-V23

Nº	Nº Ref.	Descripción	English name	Uds. por máquina
1	FIGURA 1	MOTOR	ENGINE	-
2	FIGURA 2	TRANSMISION	TRANSMISSION	-
3	FIGURA 3	RUEDA IZQUIERDA	LEFT WHEEL	-
4	FIGURA 4	RUEDA DERECHA	RIGHT WHEEL	-
5	FIGURA 5	BARRA SOPORTE MANILLAR	HANDLEBAR SUPPORT BAR	-
6	FIGURA 6	MANILLAR PRINCIPAL	MAIN HANDLEBAR	-
7	201102136	PALANCA IZQUIERDA	GEARSHIFT ROD	1
8	201102137	PALANCA DERECHA	GEARSHIFT ROD	2
9	G01100	PASADOR EJE MANILLAR	SCREW WITH SQUARE NECK	2
11	G04004	TUERCA	LOCKING NUT	2
12	201102138	CLIP PASADOR	COTTER PIN	2
13	201102139	CONECTOR PALANCA	CONNECTION COVER	2
14	201102140	TAPON CABLE	WIRE CAP	3
15	201102141	ANILLO RUEDA	WASHER	2
16	G03012	ARANDELA	SPRING WASHER	6
17	G02003	ARANDELA	FLAT WASHER	8
18	201102142	PASADOR	PIN	1
19	G09003	CASQUILLO MUELLE EJE	SHAFT SPRING COLLAR	1
20	G04012	TUERCA	HEX BOLT	6
21	201102143	CONECTOR CABLE	CONNECTOR	1
22	201102144	FIJADOR CABLE	BANDAGE	3
23	201102145	ARANDELA RUEDA	WASHER	2
24	G03001	ARANDELA	SPRING WASHER	2
25	G01050	TORNILLO FIJACION RUEDA	HEX BOLT	2
26	201102146	BASE MUELLE	SPRING BASE	1
27	G01020	TORNILLO	SCREW WITH SOCKET HEAD	4
28	201102147	ABRAZADERA	LOCKING PLATE	2
29	G04005	TUERCA	NUT	4
30	201102148	MUELLE	SPRING	1
31	201102040	VARILLA CONECTOR	CONNECTOR ROD	2
32	201102041	GOMA AMORTIGUADOR VARILLA	RUBBER SHOCK ABSORBER ROD	2

FIGURA 1.0

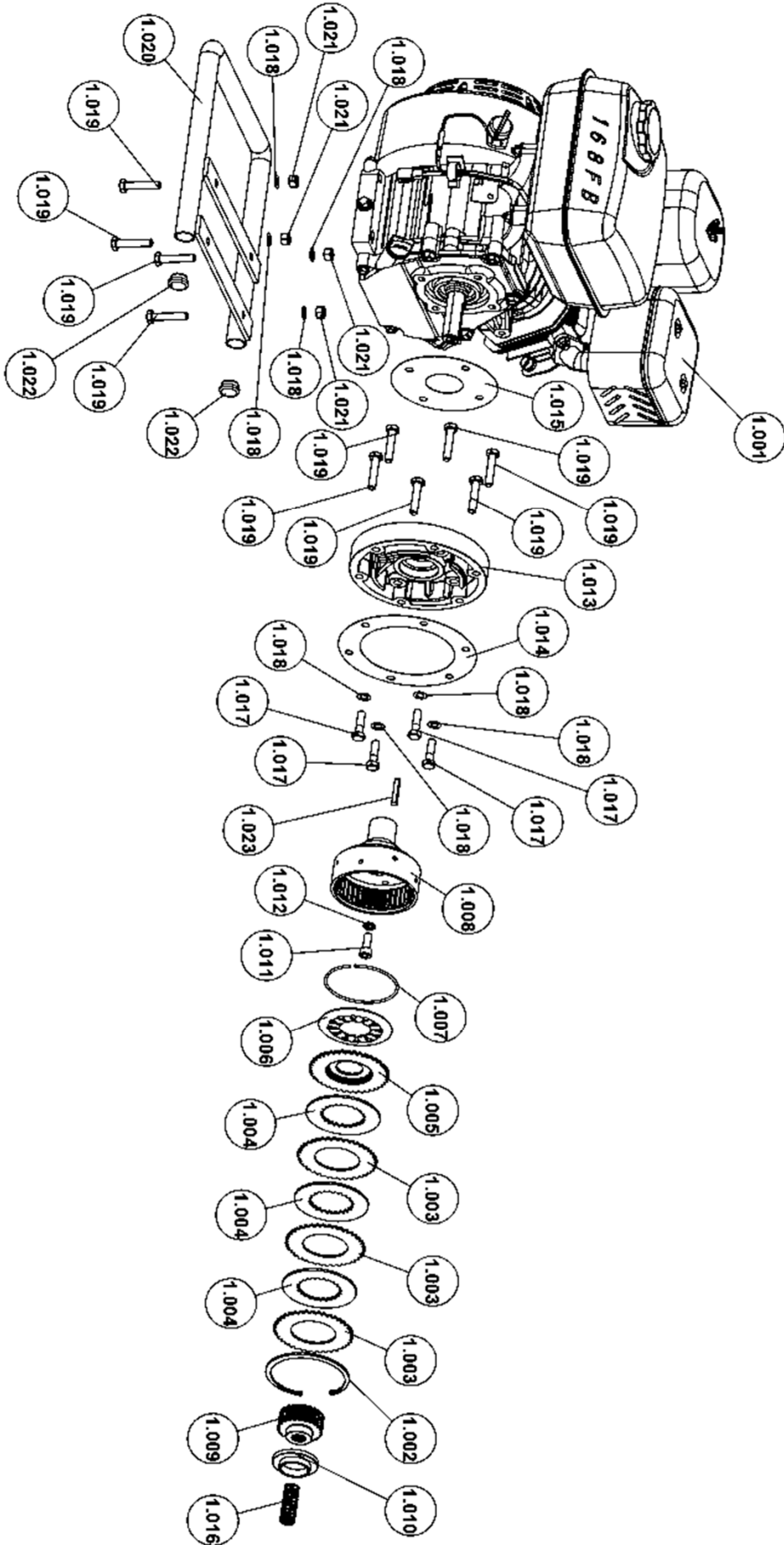


FIG. 1.0 AMURA GROOVE 7A3-V23

Nº	Nº Ref.	Descripción	English name	Uds.
1,001	201132001	MOTOR	ENGINE	1
1,002	G10011	FRENILLO	HOLE SPRING COLLAR	1
1,003	201102002	DISCO FRICCION 3	FRICITION DISH 3	3
1,004	201102003	DISCO FRICCION 2	FRICITION DISH 2	3
1,005	201102004	DISCO FRICCION 1	FRICITION DISH 1	1
1,006	201102005	DISCO	DISK SPRING	1
1,007	201102006	FRENILLO	STEEL WIRE COLLAR	1
1,008	201102007	CAZOLETA EMBRAGUE	CLUTCH BOTTOM CASE	1
1,009	201102008	PIÑÓN	CLUTCH SPLINE	1
1,01	201102009	CUBIERTA PIÑÓN	CLUTCH TOP COVER	1
1,011	G01113	TORNILLO	BOLT	1
1,012	G03002	ARANDELA	SPRING WASHER	1
1,013	201102010	PLACA CONEXION	CONNECTION PLATE	1
1,014	201102011	JUNTA CONEXION	GASKET	1
1,015	201102012	JUNTA MOTOR	GASKET	1
1,016	201102013	MUELLE	SPRING	1
1,017	G01045	TORNILLO	BOLT	4
1,018	G03012	ARANDELA	WASHER	8
1,019	G01003	TORNILLO	BOLT	10
1,02	201102014	SOPORTE MOTOR	ENGINE RACK	1
1,021	G04012	TUERCA	NUT	4
1,022	201102015	TAPON GOMA	RUBBER PLUG	2
1,023	G07018	CHAVETA	FLAT KEY	1

FIGURA MOTOR

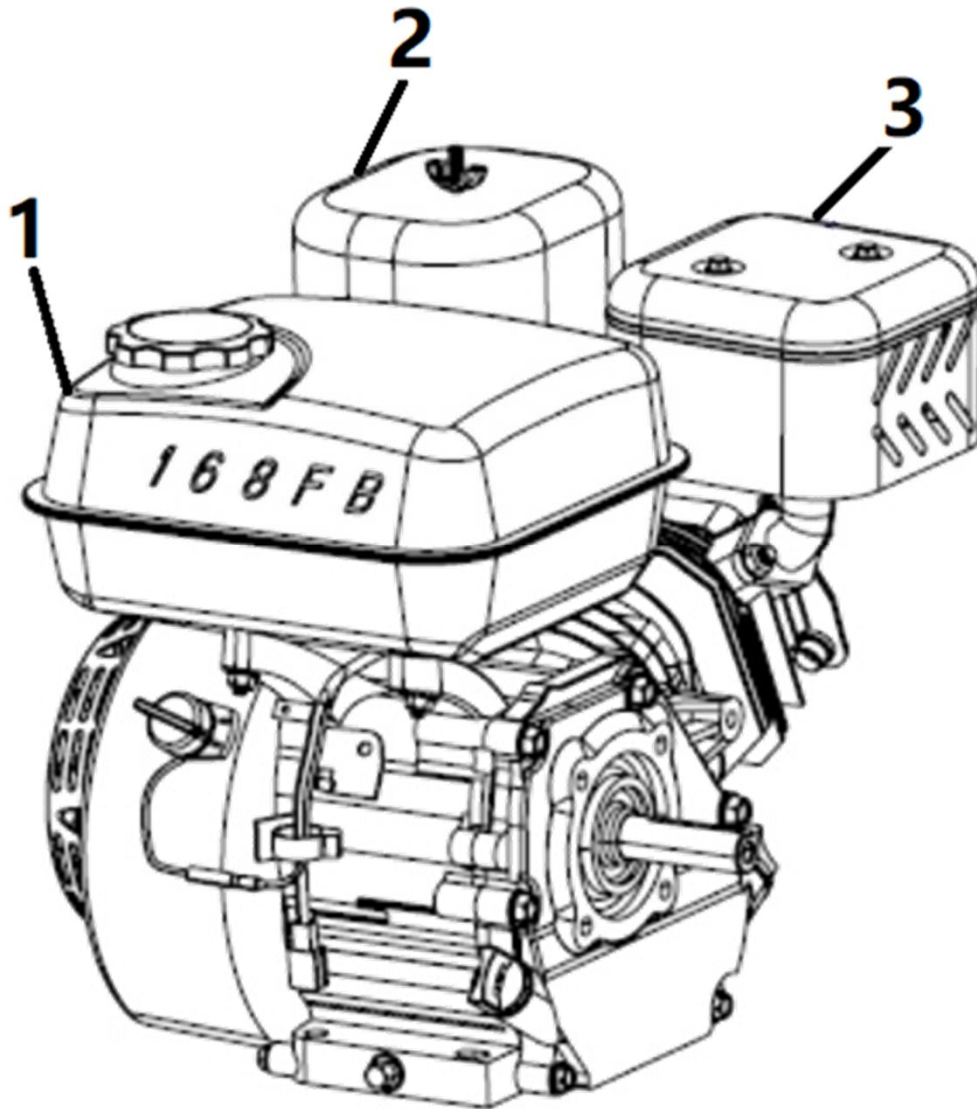


FIGURA MOTOR

Nº	Nº Ref.	Descripción	English name	Uds.
1	MF360-2	DEPOSITO GASOLINA COMPLETO	FUEL TANK ASSEMBLY	1
2	MF360-3	FILTRO AIRE COMPLETO	AIR CLEANER ASSEMBLY	1
3	MF360-4	ESCAPE COMPLETO	MUFFLER COMPLETE	1

FIGURA 2

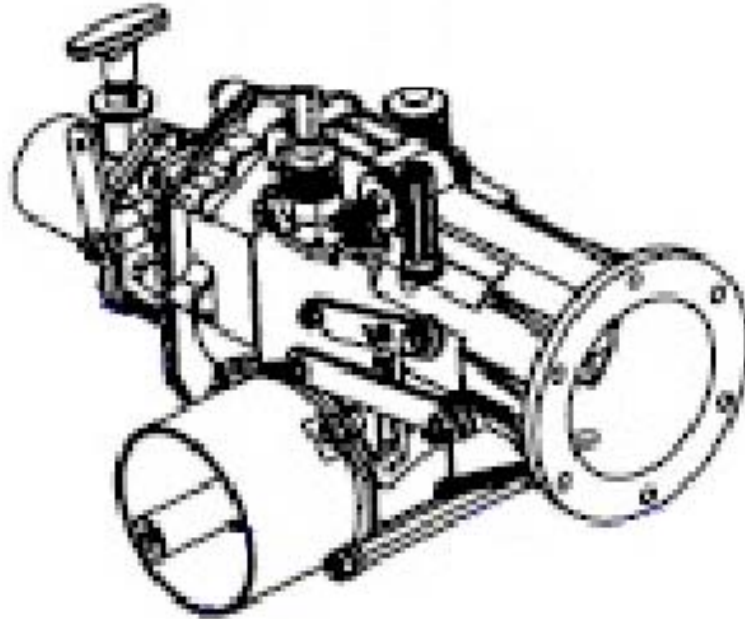


FIG. 2 AMURA GROOVER 7A3-V23

Nº	Nº Ref.	Descripción	English name	Uds.
2	MF360-1	TRANSMISION COMPLETA	TRANSMISSION COMPLETE	1

FIGURA 3

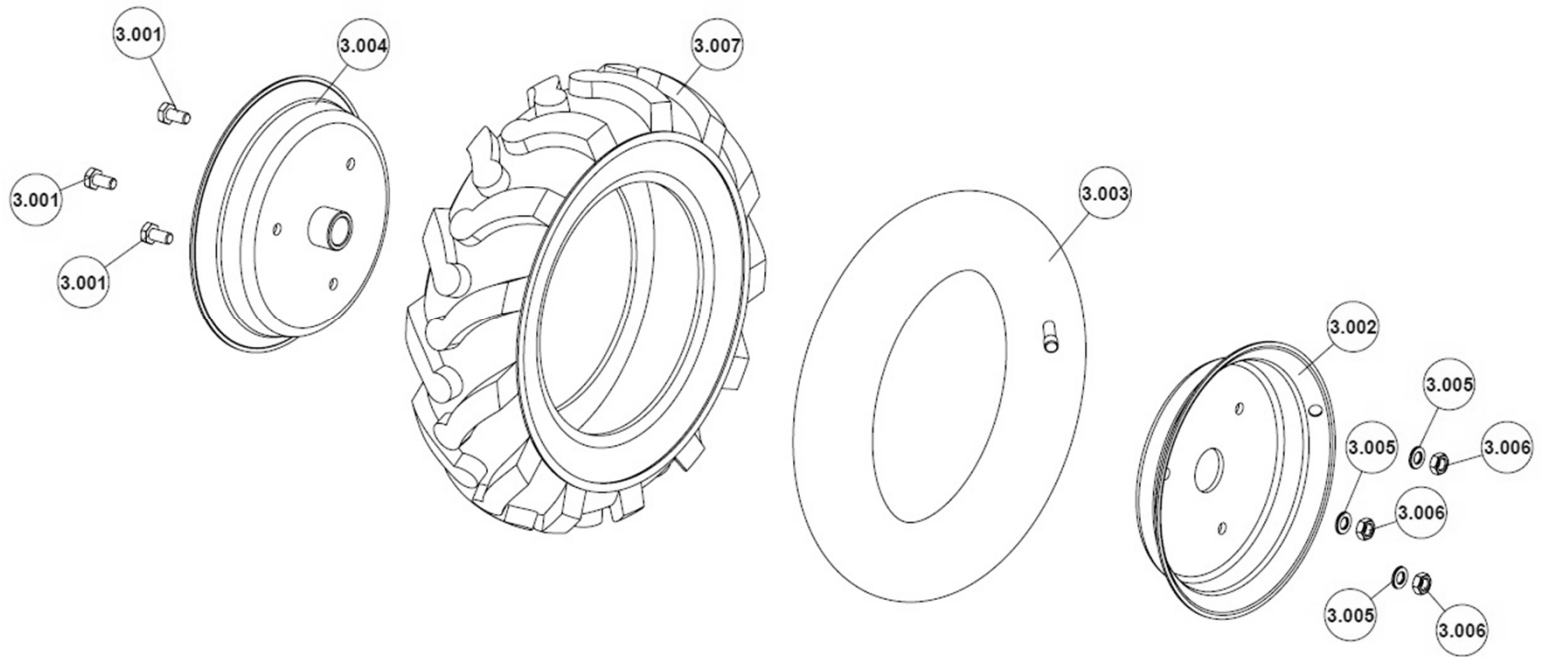


FIG. 3 AMURA GROOVER 7A3-V23

Nº	Nº Ref.	Descripción	English name	Uds.
3	201102302	RUEDA IZQUIERDA COMPLETA	LEFT WHEEL ASSY	1
3,001	G01049	TORNILLO RUEDA	HEX BOLT	3
3,002	201102089	LLANTA EXTERIOR	METAL WHEEL	1
3,003	201102090	CAMARA	TIRE	1
3,004	201102091	LLANTA INTERIOR	WHEEL	1
3,005	G02002	ARANDELA RUEDA	FLAT WASHER	3
3,006	G04001	TUERCA RUEDA	HEX NUT	3
3,007	201102092	CUBIERTA	RUBBER WHEEL	1

FIGURA 4

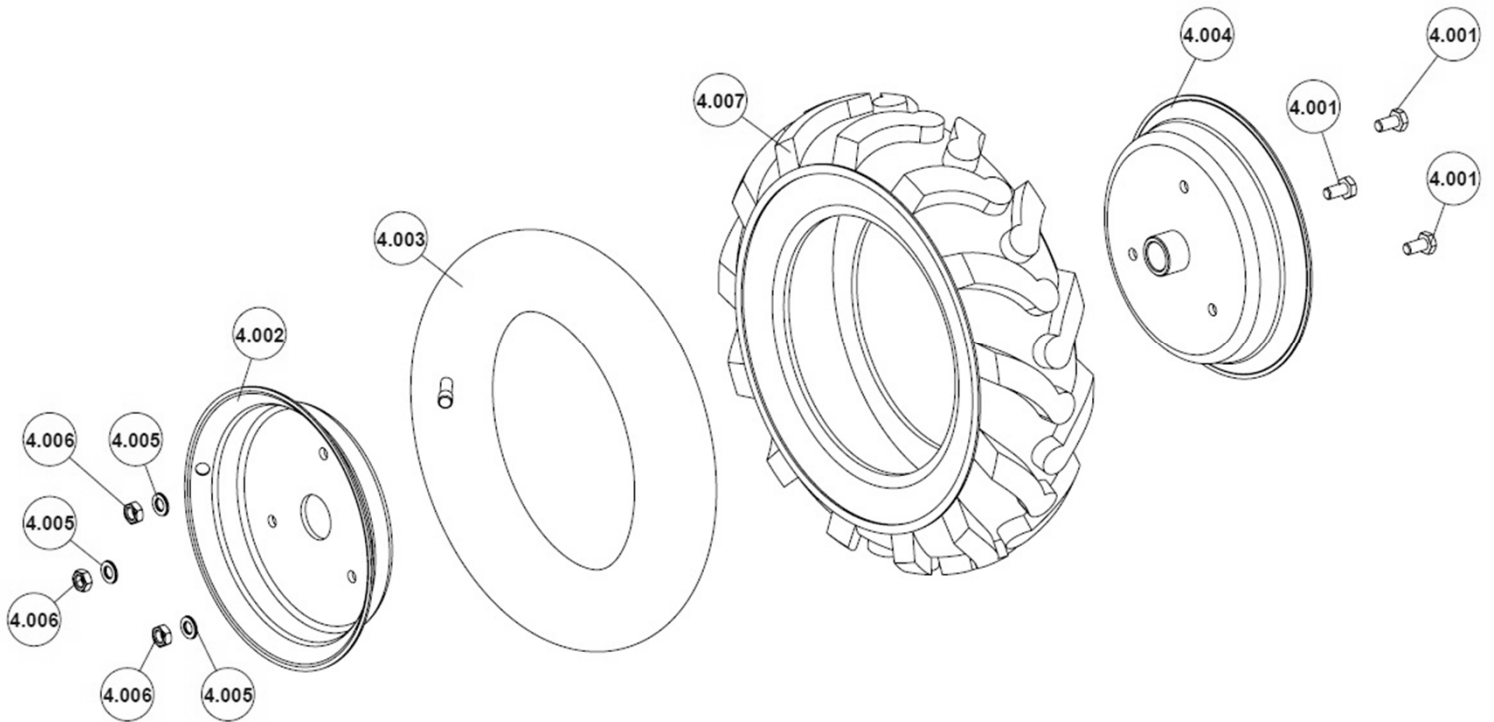


FIG. 4 AMURA GROOVER 7A3-V23

Nº	Nº Ref.	Descripción	English name	Uds.
4	201102303	RUEDA DERECHA COMPLETA	RIGHT WHEEL ASSY	1
4,001	G01049	TORNILLO RUEDA	HEX BOLT	3
4,002	201102089	LLANTA EXTERIOR	METAL WHEEL	1
4,003	201102090	CAMARA	TIRE	1
4,004	201102091	LLANTA INTERIOR	METAL WHEEL	1
4,005	G02002	ARANDELA RUEDA	FLAT WASHER	3
4,006	G04001	TUERCA RUEDA	HEX NUT	3
4,007	201102092	CUBIERTA	RUBBER WHEEL	1

FIGURA 5

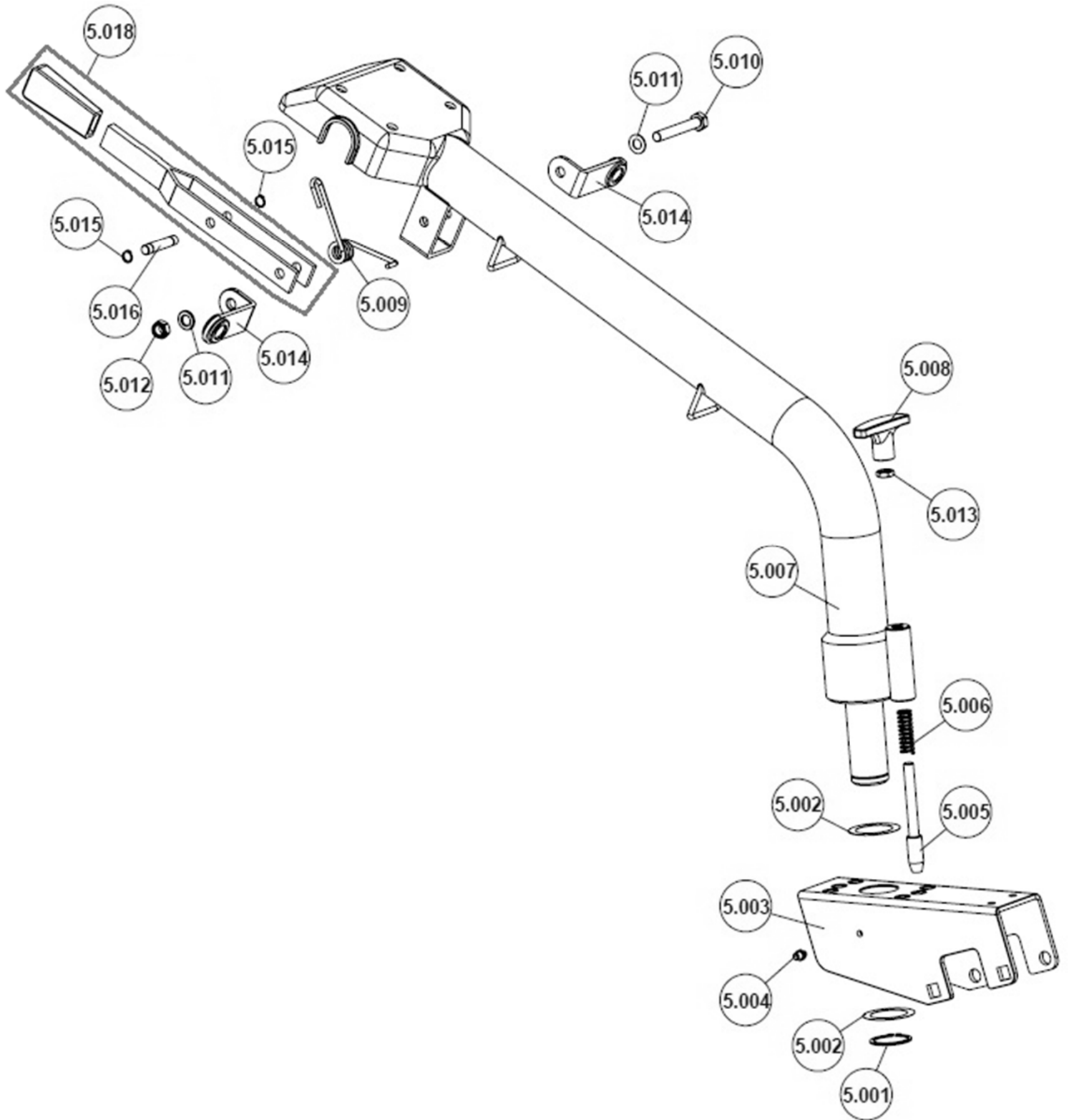


FIG. 5 AMURA GROOVE 7A3-V23

Nº	Nº Ref.	Descripción	English name	Uds.
5,001	G09018	ANILLO EJE	WASHER	1
5,002	201102093	JUNTA	WASHER	2
5,003	201102094	BASE EJE	FRAME BASE	1
5,004	201102095	ENGRASADOR	OIL HOLE	1
5,005	201102096	PASADOR EJE	PIN	1
5,006	201102097	MUELLE	SPRING	1
5,007	201102098	EJE SOPORTE MANILLAR	FRAME	1
5,008	201102099	POMO	PIN CAP	1
5,009	201102100	MUELLE TORSION	TORSION SPRING	1
5,010	G01048	TORNILLO MANILLAR	NUT	1
5,011	G02003	ARANDELA	FLAT WASHER	2
5,012	G04005	TUERCA MANILLAR	LOCKING NUT	1
5,013	G04015	TUERCA POMO	NUT	1
5,014	201102101	SOPORTE	SUPPORT	2
5,015	G09005	FRENILLO	WASHER	2
5,016	201102102	PASADOR	PIN	1
5,018	201102103	PALANCA Y POMO	HEIGHT CONTROL HANDLE	1

FIGURA 6

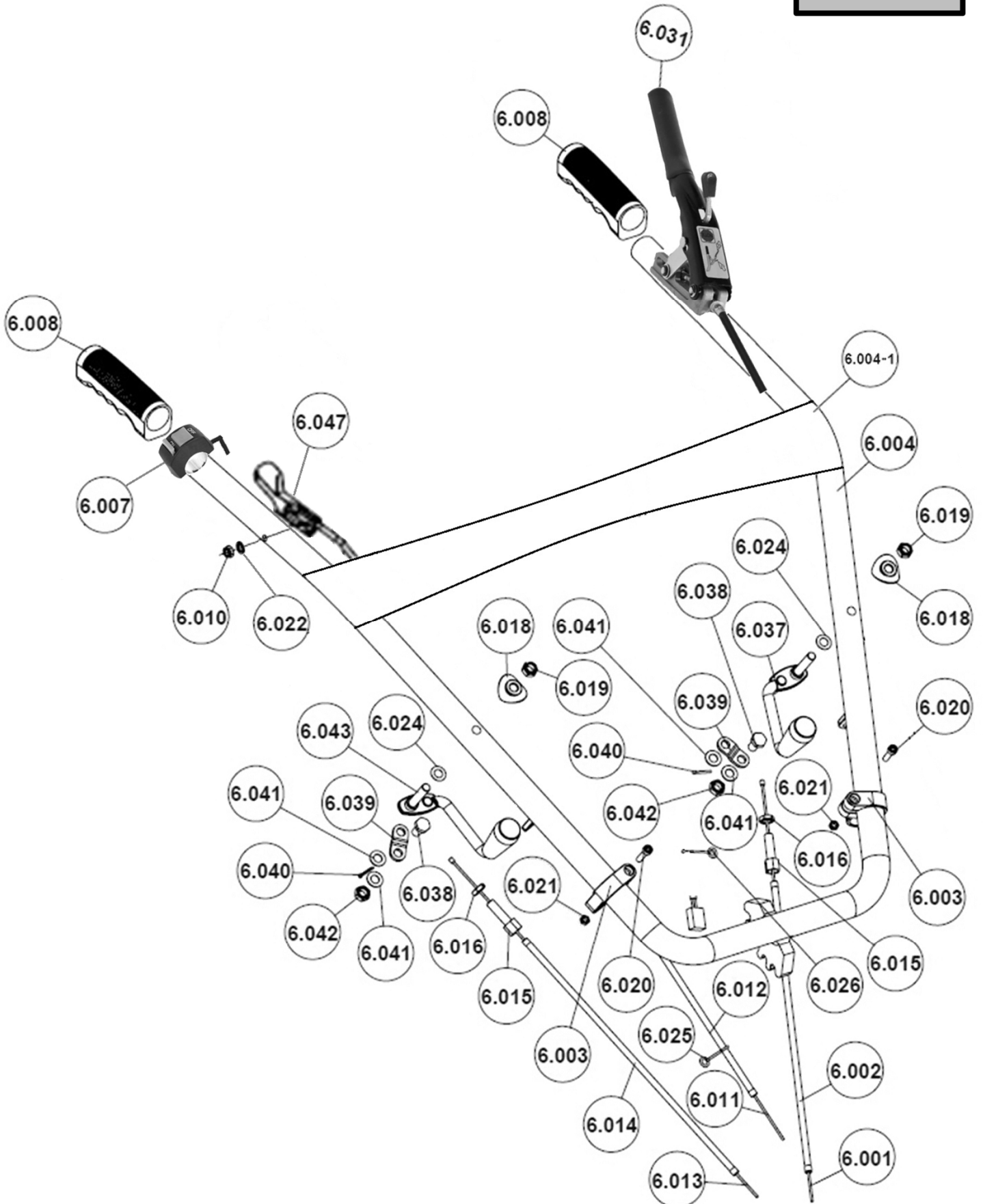


FIG. 6 AMURA GROOVER 7A3-V23

Nº	Nº Ref.	Descripción	English name	Uds. por máquina
6,001	201102104	CABLE CONTROL	CLUTCH CONTROL WIRE (CONTROL IMPLEMENT)	1
6,002	201102105	CAMISA CABLE CONTROL	TUBE	1
6,003	201102106	ABRAZADERA CABLES	WIRE CONNECTOR	2
6,004	201102107	MANILLAR SUPERIOR	LEFT AND RIGHT HANDLE	1
6,004-1	201102107-1	SOPORTE MANILLAR	HANDLE SUPPORT	1
6,007	201102110	INTERRUPTOR ON-OFF CON CABLE	SWITCH ASSY	1
6,008	201102111	MANGO	HANDLE SHEATH	2
6,011	201102112	CABLE ACERO ACELERADOR	STEEL WIRE	1
6,012	201102113	CAMISA CABLE ACELERADOR	WIRE SHEATH	1
6,013	201102114	CABLE ACERO	STEEL WIRE	1
6,014	201102115	CAMISA CABLE	STEEL WIRE SHEATH	1
6,018	201102118	PLACA PALANCA	WASHER	2
6,019	G04005	TUERCA	NUT	2
6,020	G01009	TORNILLO ABRAZADERA	SCREW	2
6,021	G04003	TUERCA ABRAZADERA	NUT	2
6,022	G02008	ARANDELA MANILLAR	WASHER	1
6,024	G03012	ARANDELA MANIVELA	SPRING WASHER	2
6,025	201101039	HEBILLA SUJECCION	LOCATING RING	1
6,026	201102119	HEBILLA SUJECCION	LOCATING RING	1
6,031	201102123	MECANISMO EMBRAGUE	HANDLE ASSEMBLY BASE	1
6,037	201102128	MANIVELA	CLUCH CONTROL ROD	1
6,038	201102129	TORNILLO	SCREW	2
6,039	201102130	PLACA	PLATE	2
6,040	G06003	PIN	COTTER PIN	2
6,041	G02003	ARANDELA	FLAT WASHER	4
6,042	G04002	TUERCA	HEX NUT	2
6,043	201102131	MANIVELA	CLUCH CONTROL ROD (FOR WORM WHEEL)	1
6,044	G01035	PASADOR ACELERADOR	COUNTERSINK HEX BOLD	1
6,045	201102132	CARCASA ACELERADOR	CAP	1
6,046	201102133	ARANDELA ACELERADOR	PRESSION SPRING	1
6,047	201102134	MANETA ACELERADOR	SPEED CONTROL HANDLE	1
6,048	201102135	BASE ACELERADOR	HANDLE BASE	1

MOTOR

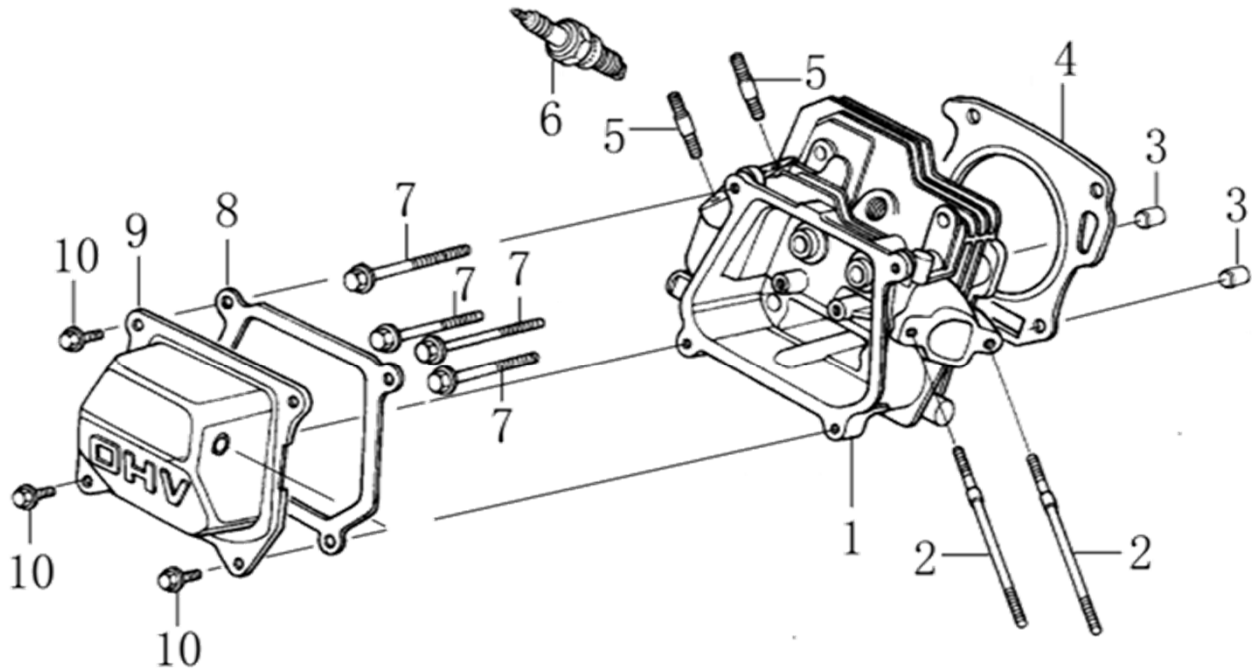


FIG. CILINDRO - AMURA GROOVER 7A3-V23

Nº	Nº Ref.	Descripción	English name	Uds. por máquina
1	120080276-0001	CABEZA CILINDRO	CYLINDER HEAD	1
2	380180093-0001	PASADOR CILINDRO	STUD	2
3	380600117-0001	CASQUILLO	LOCATION PIN	2
4	120150144-0001	JUNTA CILINDRO	GASKET FOR CYLINDER HEAD	1
5	380180098-0001	TORNILLO	STUD	2
6	270960014-0001	BUJIA	SPARK PLUG	1
7	380140336-0001	TORNILLO GUIA	HEXAGON BOLT WITH FLANGE	4
8	120250013-0001	JUNTA TAPA CILINDRO	GASKET FOR CYLINDER HEAD COVER	1
9	120220008-0001	TAPA CILINDRO	CYLINDER HEAD COVER ASSY	1
10	380140215-0003	TORNILLO	HEXAGON BOLT WITH FLANGE	4

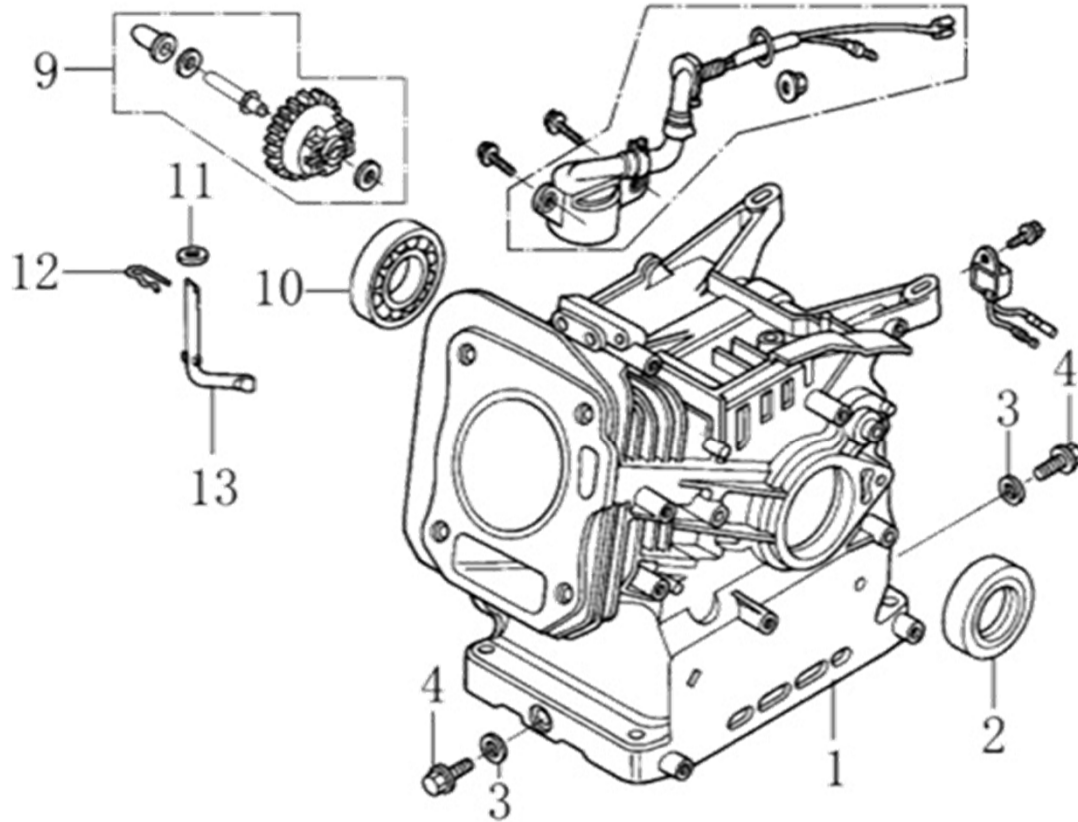


FIG. CARTER - AMURA GROOVER 7A3-V23

Nº	Nº Ref.	Descripción	English name	Uds. por máquina
1	110810007-0001	CARTER	CRANKCASE BODY	1
2	380650347-0001	RETEN	OIL SEAL	1
3	380450514-0001	JUNTA TAPON ACEITE	FLAT WASHER	2
4	110260025-0001	TAPON DRENAJE ACEITE	SEALING PLUG SCREW	2
9	171750002-0001	ENGRANAJE GOBERNADOR	COMPONENTS OF GOVERNOR GEAR	1
10	380630137-0002	RODAMIENTO 6205	BEARING	1
11	380450531-0001	ARANDELA	FLAT WASHER	1
12	381350004-0001	PASADOR TIPO R	PIN CLIP	1
13	171630001-0001	CODO	SPEED REGULATING ARM	1

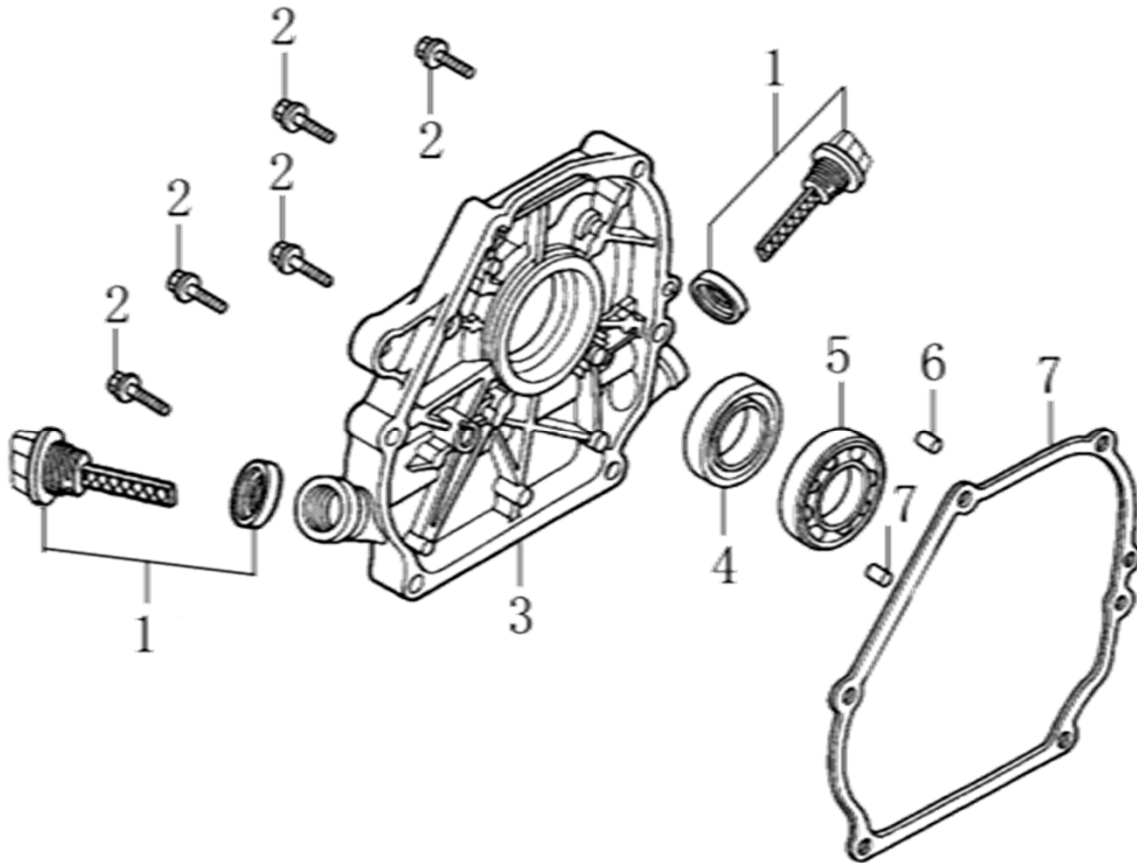


FIG. TAPA CARTER - AMURA GROOVER 7A3-V23

Nº	Nº Ref.	Descripción	English name	Uds. por máquina
1	110690096-0004	TAPON ACEITE	OIL RULE COMBINATION	2
2	380140028-0004	TORNILLO	HEXAGON BOLT WITH FLANGE	6
3	110820014-0001	TAPA CARTER	CRANKCASE COVER	1
4	380650347-0001	RETEN	OIL SEAL	1
5	380630137-0002	RODAMIENTO 6205	BEARING	1
6	380600120-0001	CASQUILLO	OCATION PIN	2
7	110830007-0001	JUNTA TAPA CARTER	CRANKCASE COVER GASKET	1

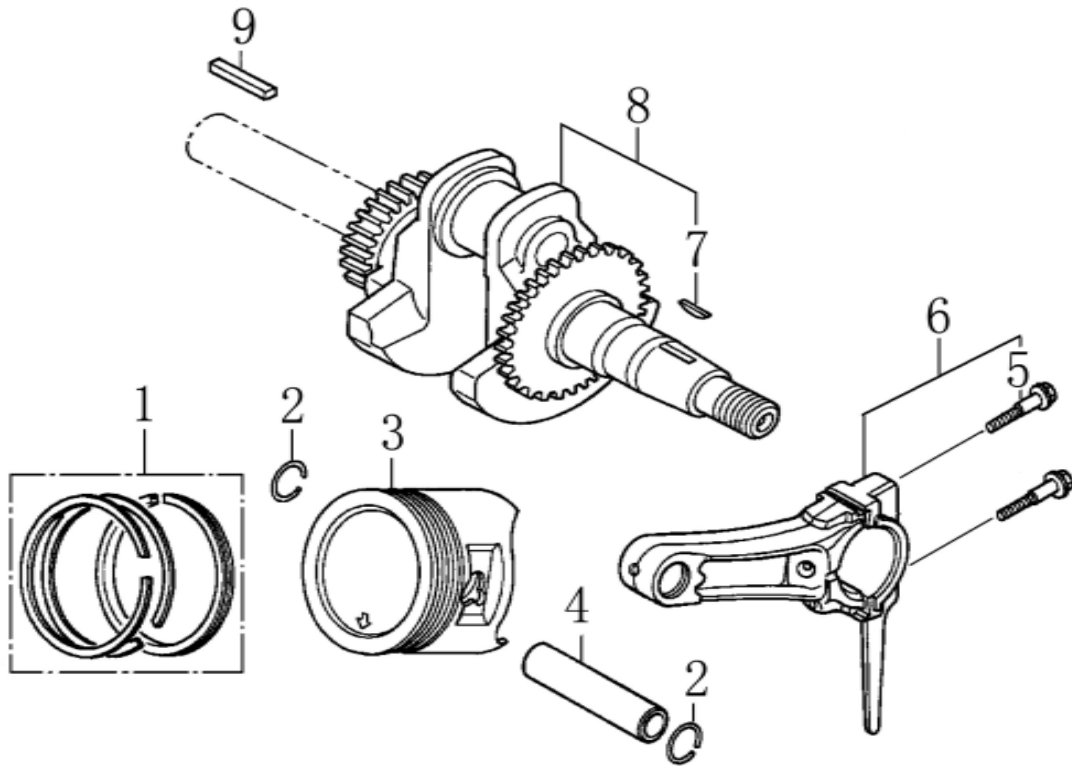


FIG. SEGMENTOS Y BIELA - AMURA GROOVER 7A3-V23

Nº	Nº Ref.	Descripción	English name	Uds. por máquina
1	130070168-0001	KIT SEGMENTOS	PISTON RING COMBINATION	1
2	380560056-0001	FRENILLO	STEEL CABLE BAFFLE RING	2
3	130030188-0001	PISTON	PISTON	1
4	130060031-0001	BULON PISTON	PISTON PIN	1
5	130180001-0001	TORNILLO BIELA	CONNECTING ROD BOLT	2
6	130150039-0001	BIELA	CONNECTING ROD	1
7	380620050-0001	CHAVETA	KEY	1
8	130290049-0001	CIGÜEÑAL	CRANKSHAFT	1
9	380620030-0001	CHAVETA	KEY	1

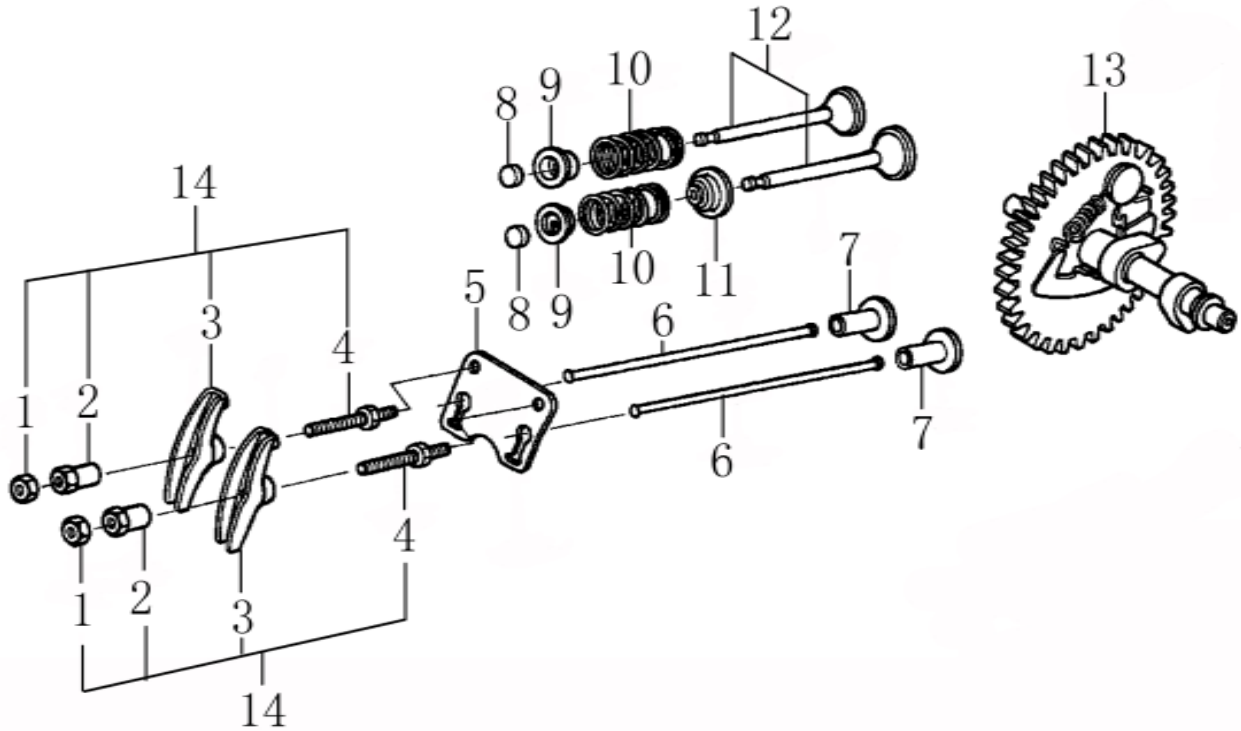


FIG. KIT BALANCINES- AMURA GROOVER 7A3-V23

Nº	Nº Ref.	Descripción	English name	Uds. por máquina
1	140470001-0001	TUERCA	VALVE LOCK NUT	2
2	140490012-0001	TORNILLO BALANCIN	ADJUSTABLE NUT OF VALVE	2
3	140460030-0001	BALANCIN	VALVE ROCKER	2
4	140480012-0001	TORNILLO GUIA	ADJUSTABLE BOLT OF VALVE	2
5	140710001-0001	PLACA GUIA	PLATE, PUSH ROD GUIDE	1
6	140670004-0001	VARILLA EMPUJE	PUSH ROD	2
7	140690003-0001	TAQUET	LIFTER, VALVE	2
8	140320001-0001	VALVULA 1	VALVE ADJUSTMENT CAP	2
9	140380017-0001	RETEN VALVULA	RETAINER, VALVE SPRING	2
10	140340022-0001	MUELLE VALVULA	INNER SPRING OF VALVE	2
11	140400011-0001	RETEN GUIA	VALVE OIL SEAL	1
12	500550024-0001	VALVULA 2	VALVE KIT	1
13	140020114-0001	ARBOL LEVAS	CAMSHAFT ASSY	1
14	140450022-0001	KIT BALANCINES	VALVE ROCKER COMBINATION	2

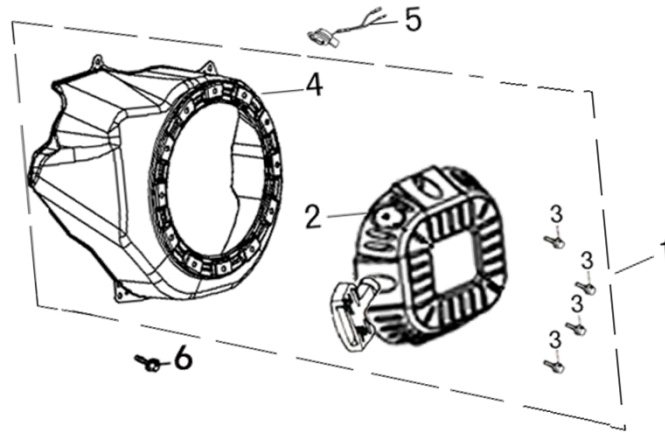


FIG. ARRANCADOR- AMURA GROOVER 7A3-V23

Nº	Nº Ref.	Descripción	English name	Uds. por máquina
1	193490325-0004	ARRANCADOR + CARCASA	MANUAL STARTING ASSEMBLY	1
2	193500100-0001	ARRANCADOR	MANUAL STARTING COMPONENTS	1
3	380140531-0001	TORNILLO	HEXAGON BOLT WITH FLANGE	4
4	160210172-T040	CARCASA ARRANCADOR	FAN COVER COMP.	1
5	380140011-0004	TORNILLO	HEXAGON BOLT WITH FLANGE	4
6	271660027-0001	INTERRUPTOR PARE	STOP SWITCH	1

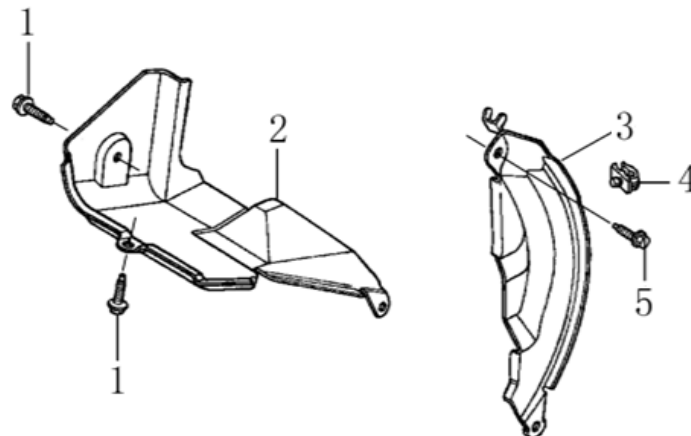


FIG. PLACAS- AMURA GROOVER 7A3-V23

Nº	Nº Ref.	Descripción	English name	Uds. por máquina
1	380140089-0003	TORNILLO	HEXAGON BOLT WITH FLANGE	2
2	160190009-0001	CARCASA	AIR DEFLECTOR	1
3	160200012-0001	PLACA VOLANTE	SIDE PLATE	1
5	380140003-0005	TORNILLO	HEXAGON BOLT WITH FLANGE	1

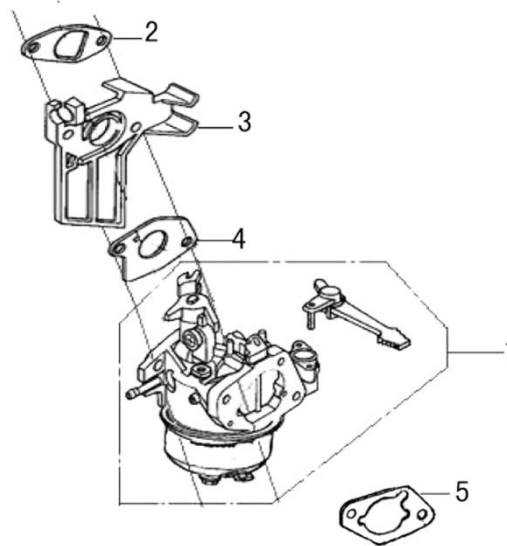


FIG. CARBURADOR- AMURA GROOVER 7A3-V23

Nº	Nº Ref.	Descripción	English name	Uds. por máquina
1	170022231-0001	CARBURADOR	CARBURETOR	1
2	170430060-0001	JUNTA PEQUEÑA	CARBURETOR GASKET	1
3	170440121-0001	CUELLO ADMISION	HEAT INSULATING PAD FOR CARBURETOR	1
4	170430048-0001	JUNTA CARBURADOR	CARBURETOR GASKET	1
5	170430065-0001	JUNTA	CARBURETOR GASKET	1

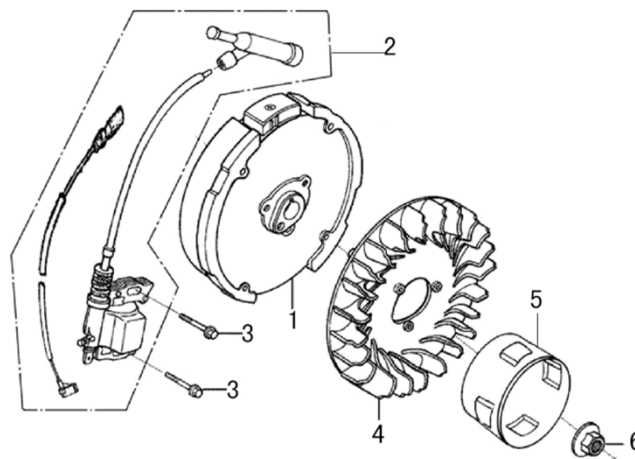


FIG. VOLANTE - AMURA GROOVER 7A3-V23

Nº	Nº Ref.	Descripción	English name	Uds. por máquina
1	270020097-0001	VOLANTE	FLYWHEEL COMP	1
2	270920498-0001	ELECTRONICO	COIL ASSY.,IGNNTION	1
3	380140102-0004	TORNILLO	HEXAGON BOLT WITH FLANGE	2
4	160180007-0001	VENTILADOR	IMPELLER	1
5	193590005-0001	CAZOLETA	STARTING DISC	1
6	380370051-0001	TUERCA VOLANTE	HEXAGON NUT WITH FLANGE	1

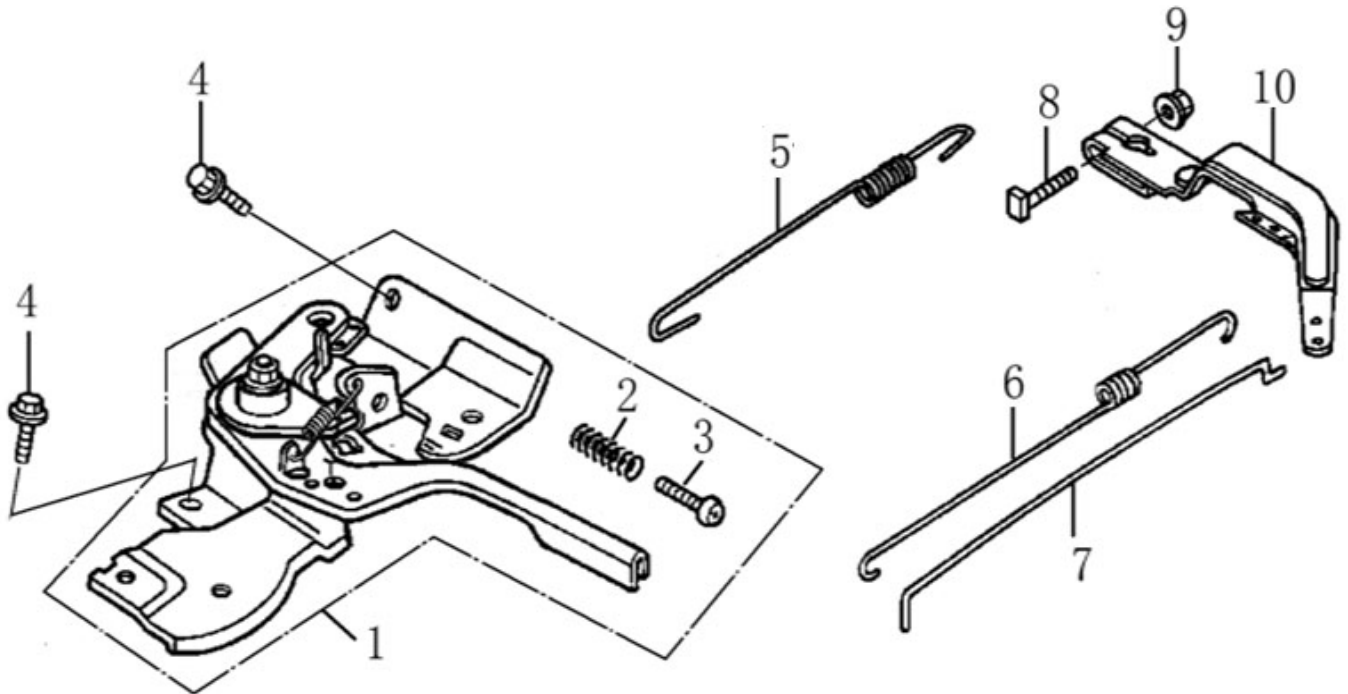


FIG. SISTEMA CONTROL- AMURA GROOVER 7A3-V23

Nº	Nº Ref.	Descripción	English name	Uds. por máquina
1	171680150-0001	CONTROL PALANCA	THROTTLE HANDLE COMBINATION	1
2	171660001-0001	MUELLE	SPEED REGULATING LIMIT SPRING	1
3	380200017-0005	TORNILLO M5X35	CROSS RECESSED PAN HEAD SCREW	1
4	380140011-0004	TORNILLO	HEXAGON BOLT WITH FLANGE	2
5	171600037-0002	MUELLE GOVERNADOR	GOVERNING SPRING	1
6	171610002-0001	MUELLE ACELERADOR	THROTTLE RETURN SPRING	1
7	171590004-0001	VARILLA GOVERNADOR	THROTTLE ROD	1
8	380250002-0001	TORNILLO	SQUARE HEADSET SCREW WITH FLAT POINT	1
9	380370066-0001	TUERCA	HEXAGON NUT WITH FLANGE	1
10	171620001-0003	BRAZO GOVERNADOR	SPEED REGULATING BRACKET	1

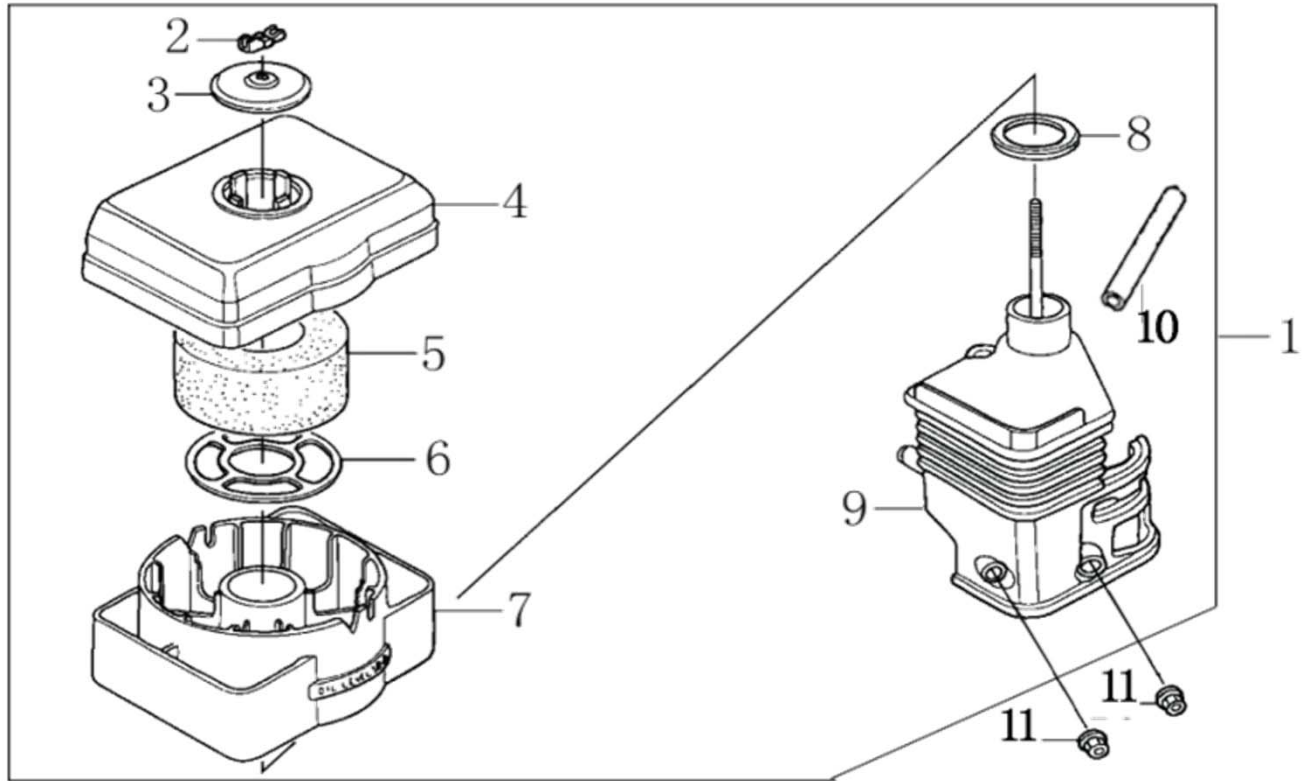


FIG. FILTRO AIRE - AMURA GROOVER 7A3-V23

Nº	Nº Ref.	Descripción	English name	Uds. por máquina
1	180020320-0001	KIT FILTRO AIRE	AIR FILTER	1
2	380440002-0002	TUERCA FILTRO	BUTTERFLY NUT	1
3	180220016-0001	ARANDELA FILTRO	AIR FILTER PRESSING PLATE	1
4	180070172-0001	TAPA FILTRO	AIR FILTER CASING COVER	1
5	180100041-0001	ESPONJA FILTRO	AIR FILTER ELEMENT COMBINATION	1
6	183010001-0001	REJILLA FILTRO	AIR FILTER ELEMENT SUPPORT PLATE	1
7	180330040-0001	TAPA INFERIOR FILTRO	SUPPORT PLATE BODY OF FILTER ELEMENT	1
8	380840437-0001	JUNTA	SEAL RING	1
9	180280030-0001	BASE FILTRO	AIR FILTER SEAT	1
10	380740471-0001	TUBO FILTRO	BREATHER TUBE	1
11	380370048-0001	TUERCA	HEXAGON NUT WITH FLANGE	2

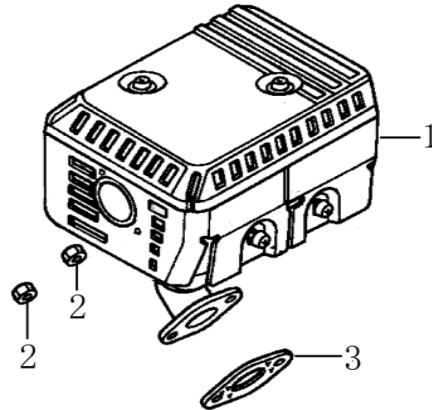


FIG. ESCAPE - AMURA GROOVER 7A3-V23

Nº	Nº Ref.	Descripción	English name	Uds. por máquina
1	180571646-0001	ESCAPE	MUFFLER	1
2	380340005-0005	TUERCA	HEXAGON NUT	2
3	180650065-0001	JUNTA ESCAPE	OUTLET GASKET	1

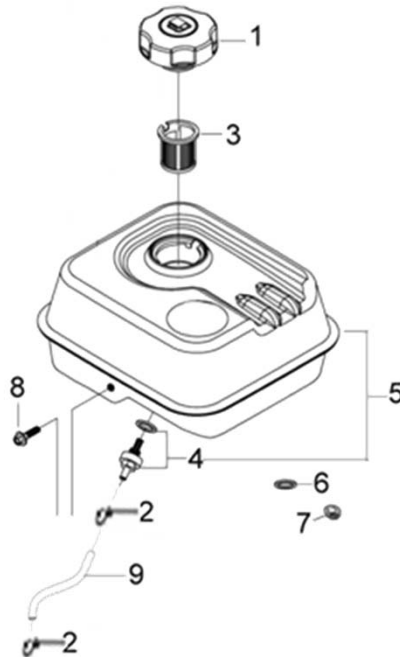


FIG. DEPOSITO - AMURA GROOVER 7A3-V23

Nº	Nº Ref.	Descripción	English name	Uds. por máquina
1	170870161-0001	TAPON DEPOSITO	TANK COVER	1
2	380950188-0001	CLIP TUBO	PIPE CLIP	2
3	170720009-0001	FILTRO DEPOSITO	POURING ORIFICE FILTER SCREEN	1
4	170660077-0001	FILTRO GASOLINA	TANK OILOUT	1
5	170500997-0013	DEPOSITO GASOLINA	TANK	1
6	380920086-0001	JUNTA	RUBBER FLAT GASKET	2
7	380370048-0001	TUERCA	HEXAGON NUT WITH FLANGE	2
8	380140171-0004	TORNILLO	HEXAGON BOLT WITH FLANGE	1
9	380750180-0002	TUBO GASOLINA	OIL TUBE	1



GROOVER 7A3-V23

recaball
www.recaball.com



ACCESORIOS



1. ACCESORIO

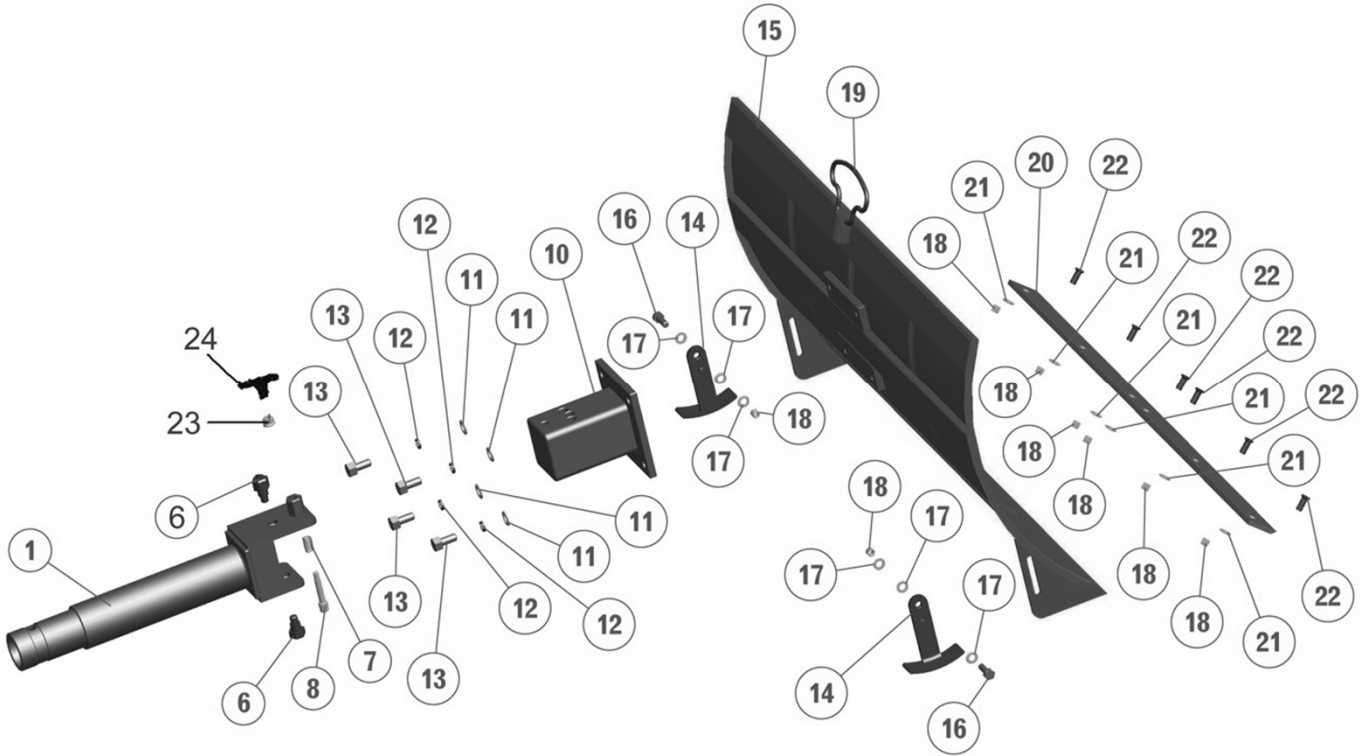


FIG. 1 ACCESORIO

Nº	Nº Ref.	Descripción	English name	Uds.
1	201108001	CILINDRO CONECTOR	CYLINDER ASSY	1
2	201109008	PALANCA	RIPPING BAR	1
3	201109007	POMO PALANCA	HANDLE COVER	1
4	G11001	PASADOR	ROUND PIN	1
5	201109011	TORNILLO CONECTOR	SCREW	1
6	201109010	TORNILLO	SCREW	1
7	201109012	MUELLE	SPRING	1
8	201109009	TORNILLO	BOLT	1
9	G04018	TUERCA M8	NUT	1
10	201108002	BASE CONECTOR	JUNCTION PLATE	1
11	G02002	ARANDELA	FLAT WASHER	4
12	G03001	ANILLO	SPRING WASHER	4
13	G01050	TORNILLO M10X25	SCREW	4
14	201108003	PLACA DESLIZANTE	ADJUSTING PLATE ASSY	2
15	201108004	PALA	SHOVEL ASSY	1
16	G01004	TORNILLO M8X25	BOLT	2
17	G02014	ARANDELA	WASHER	6
18	G04005	TUERCA M8	NUT	8
19	201108005	ANILLO	RING	1
20	201108006	PROTECTOR PALA	PLASTIC SHOVEL	1
21	G02003	ARANDELA 8	FLAT WASHER	6
22	G01033	TORNILLO M8X16	SCREW	6

2. ACCESORIO

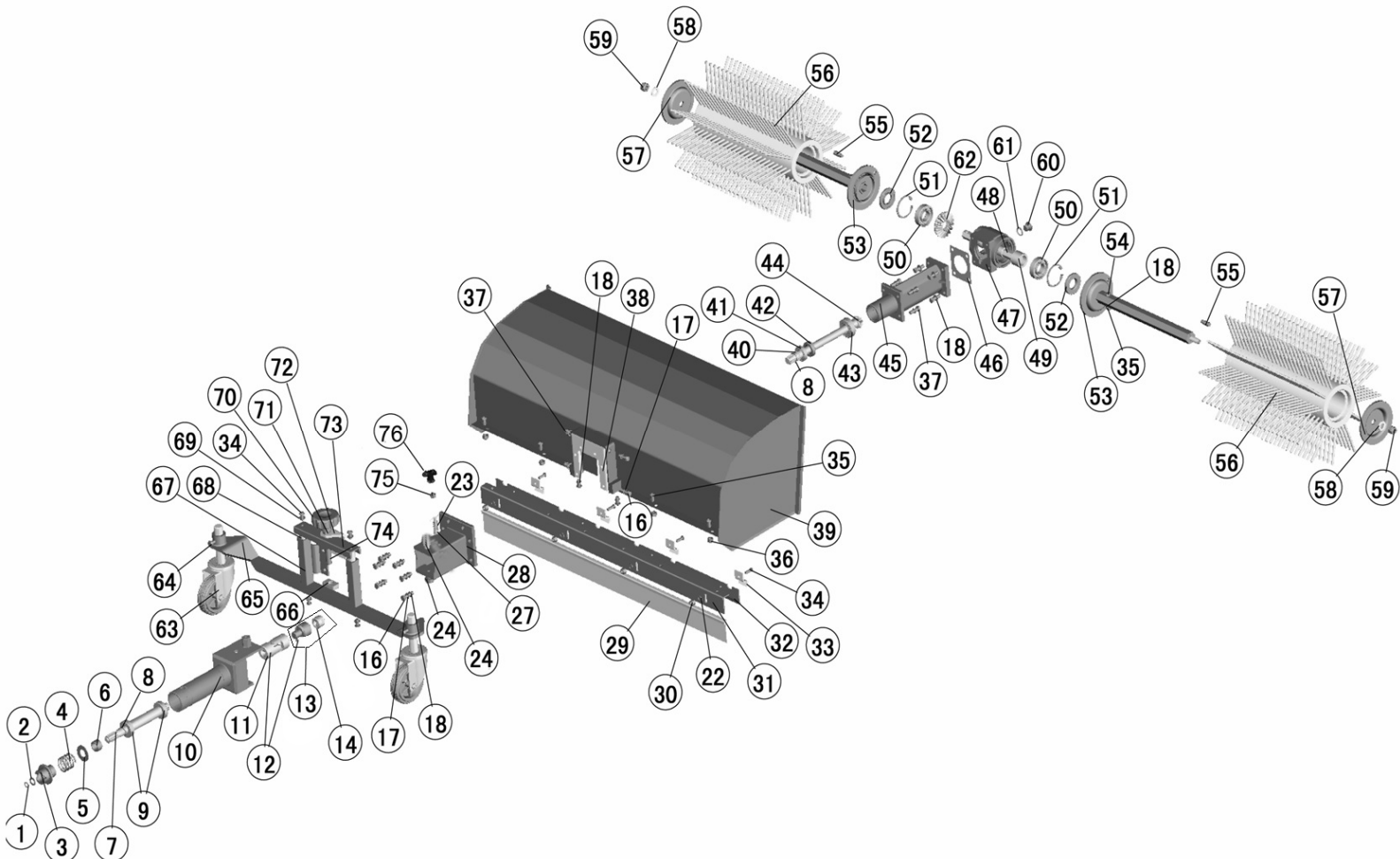


FIG. 2 ACCESORIO

Nº	Nº Ref.	Descripción	English name	Uds.
1	G09009	TUERCA	WASHER ON SHAFT	1
2	201105007	ARANDELA	WASHER	1
3	201109001	CONECTOR	CONNETOR	1
4	201105012	MUELLE	SPRING	1
5	201105010	ARANDELA	WASHER	1
6	201105011	ALMOHADILLA	SEAT PAD	1
7	201109002	EJE	SPLINE SHAFT	1
8	G09014	ARANDELA EJE	WASHER ON SHAFT	2
9	G08006	RODAMIENTO 6004-2Z	BEARING	2
10	201109003	BASE EJE	ROUND BUSH B	1
11	201109004	ACOPLE EJE	UNIVERSAL COUPLING	1
12	G11005	JUNTA	ROUND PIN	2
13	201109005	CASQUILLO DENTADO	CONNECT BUSH	1
14	G11002	PASADOR ABIERTO	ROUND PIN	1
15	201109006	CASQUILO EJE	SPLINE HOUSING	1
16	G01045	TORNILLO M8X30	BOLT	8
17	G03002	ARANDELA	SPRING WASHER	18
18	G02003	ARANDELA	FLAT WASHER	14
19	201109007	POMO PALANCA	HANDLE COVER	1
20	201109008	PALANCA	RIPPING BAR	1
21	G04017	TUERCA M6	NUT	1
22	G02008	ARANDELA	FLAT WASHER	5
23	201109009	PIN	PIN	1
24	201109010	TORNILLO B	HEXAGONAL SCREW B	1
25	201109011	TORNILLO A	HEXAGONAL SCREW A	1
26	G11001	JUNTA	PIN	1
27	201109012	MUELLE	SPRING	1
28	201109013	BASE ACOPLE	FIXED JOINT PLATE	1
29	201109014	FALDILLA	FLAT HAIRBRUSH	1
30	G04006	TUERCA M6	NUT	4
31	201109015	PLACA FALDILLA INFERIOR	FIXED BEND SLICE	1
32	201109016	PLACA FALDILLA SUPERIOR	FIXED FLAT SLICE	1
33	201109017	ABRAZADERA	CLAMP PIECE	4
34	G01017	TORNILLO M6X20	SCREW	4
35	G01019	TORNILLO M8X16	SCREW	10
36	G04005	TUERCA M8	NUT	6
37	G01004	TORNILLO M8X25	BOLT	10

FIG. 2 ACCESORIO

Nº	Nº Ref.	Descripción	English name	Uds.
38	201109018	PLACA SUJECCION	FIXED BLOCK	1
39	201109019	CUBIERTA CENTRAL	HOUSING ASSY	1
40	201109020	ESPACIADOR	SPACER SHIM A	4
41	G08026	RODAMIENTO 61904-2RS	BEARING	1
42	G05023	RETEN 35X20X7	FB SEAL PLATE	1
43	G08038	RODAMIENTO 6204-2RS	BEARING	1
44	201109021	EJE ENGRANAJE	HELICAL GEAR SHAFT	1
45	201109022	BASE ENGRANAJES	HELICAL GEAR BEARING BASE	1
46	201109023	JUNTA CABEZAL ENGRANAJES	OIL SEAL PAPER	1
47	201109024	CABEZAL ENGRANAJES	GEARBOX	1
48	201109025	EJE ENGRANAJES	BEVEL GEAR SHAFT	1
49	201109026	CASQUILLO EJE	COMBINE	1
50	G08023	RODAMIENTO 6205	BEARING	2
51	G10009	FRENILLO	HOLE SPRING COLLAR	2
52	G05017	RETEN 52X25X7	FB SEAL PLATE	2
53	201109027	EJE RODILLO	HEXAGON BAR IRON	2
54	G01003	TORNILLO M8X40	BOLT	2
55	201109028	PIN	PIN	2
56	201109029	CEPILLO	RATTLER HAIRBRUSH	2
57	201109030	TAPA EXTERIOR RODILLO	CORONA A	2
58	G02001	ARANDELA	FLAT WASHER	2
59	G04016	TUERCA M12	NUT	2
60	201102021	TORNILLO DRENAJE M16X1,5X12	FILLER OPENING SCREW	1
61	201102022	JUNTA DRENAJE	RUBBER WASHER	1
62	201109031	ENGRANAJE CONICO	BEVEL GEAR	1
63	201109032	RUEDA	TRUCKLE ASSY	2
64	G01005	TORNILLO M8X20	BOLT	2
65	201109033	PLACA RUEDA	TRUCKLE SUPPORT	1
66	201109034	BASE APOYO	SEAT PAD	1
67	201109035	PLACA VERTICAL	SQUARE IRON	2
68	201109036	BARRA SOPORTE	BRACING PIECE	2
69	G03012	ARANDELA 8	SPRING WASHER	4
70	201109037	POMO AJUSTE	HAND WHEEL	1
71	G04009	TUERCA M12	NUT	1
72	201109038	PLACA	ANGLE IRON	1
73	201109039	PLACA HORIZONTAL	SUPPORT PLATE	1
74	201109040	VARILLA TORNILLO	SCREW ROD	1

3. ACCESORIO

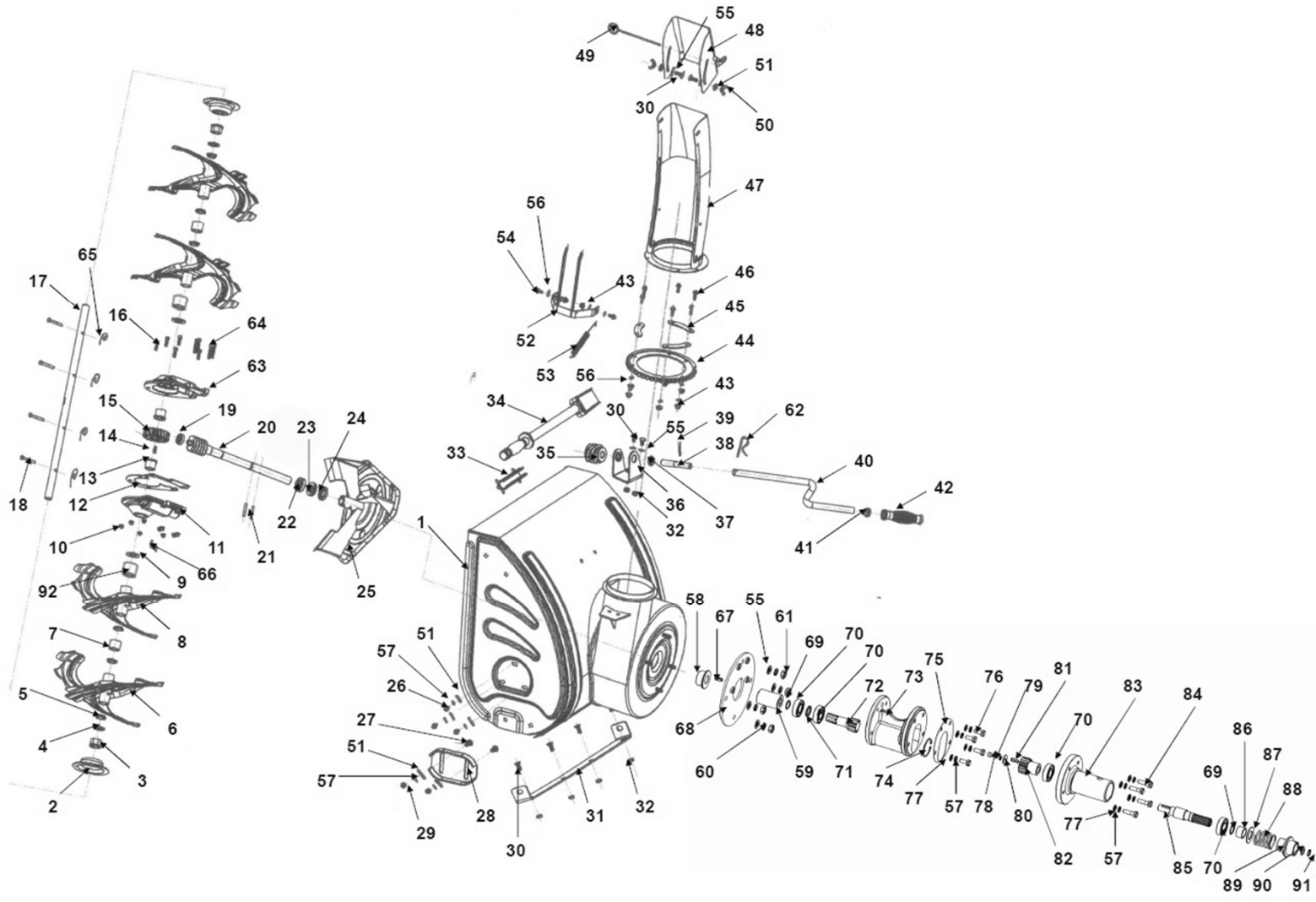


FIG. 3 ACCESORIO

Nº	Nº Ref.	Descripción	English name	Uds.
1	201203001	CARCASA CAPOT	COVER	1
2	201203002	TAPA EXTERIOR CUCHILLAS	FLOOD DRAGON BLADE FIX	2
3	201203003	CASQUILLO	HEXAGONAL PLASTIC BUSH	2
4	201203004	ARANDELA	WASHER	2
5	201203005	CASQUILLO	PLASTIC BUSH	8
6	201203006	CUCHILLA A	FLOOD DRAGON BLADE A	2
7	201203007	SEPARADOR CUCHILLAS	PLASTIC SPACER BUSH	2
8	201203008	CUCHILLA B	FLOOD DRAGON BLADE B	2
9	201203009	RETEN	OIL SEAL	2
10	G04026	TUERCA M6	ACORN NUT	9
11	201203010	TAPA IZQ TRANSMISION	LEFT WORM GEAR CASE	1
12	201203011	JUNTA	PAPER WASHER	1
13	201203012	CASQUILLO INTERNO	POWDER METALLURGY	2
14	G07024	CHAVETA	WOODRUFF KEY	1
15	201203013	ENGRANAJE	COPPER GEAR	1
16	G01024	TORNILLO M6X20	BOLT	5
17	201203014	EJE CUCHILLAS	AXLE	1
18	201203015	PASADOR	PIN	4
19	G08005	RODAMIENTO 16001Z	BEARING	1
20	201203016	EJE	WORM	1
21	G11005	PIN	ELASTIC CYLINDRICAL PIN	2
22	G08026	RODAMIENTO 61904z	BEARING	1
23	G08042	RODAMIENTO EMPUJE 51104	BEARING	1
24	G05023	RETEN 35X20X7	OIL SEAL	1
25	201203017	CUCHILLA EXTRACCION	FAN BLADE	1
26	G01006	TORNILLO M8X16	BOLT	6
27	G01057	TORNILLO M8X25	BOLT	4
28	201203018	PLACA INFERIOR	BASEBOARD	2
29	G04012	TUERCA M8	NUT	4
30	G01094	TORNILLO M8X20	BOLT	8
31	201203019	PLACA INFERIOR	CLEANING PLATE	1
32	G04018	TUERCA M8	NUT	6
33	201203020	ENGANCHE PUCHILLA	SNOW SHOVEL SEAT	1
34	201203021	MANGO	SNOW SHOVEL	1
35	201203022	POLEA MANIVELA	PLASTIC WORM	1
36	201203023	SOPORTE POLEA	PLASTIC WORM SUPPORT	1
37	201203024	ARANDELA	PLASTIC WASHER	2
38	201203025	PASADOR PALNCA	WORM SHAFT	1
39	G11001	PIN	ELASTIC CYLINDRICAL PIN	1
40	201203026	PALANCA	ROCKER	1
41	201203027	JUNTA PALANCA	BLOCK	1
42	201203028	MANGO	HANDLE	1
43	G04006	TUERCA M6	NUT	8
44	201203029	BASE TUBO	PLASTIC FLUTED DISC	1
45	201203030	PLACA UNION	PLATEN	3
46	G01149	TORNILLO M6X25	BOLT	6

FIG. 3 ACCESORIO

Nº	Nº Ref.	Descripción	English name	Uds.
47	201203031	TUBO SALIDA	BLOWER TUBE	1
48	201203032	TAPA TUBO EXTRACCION	BLOWER TUBE COVER	1
49	201203033	PIN	PIN	1
50	G04020	TUERCA M8	NUT	2
51	G02014	ARANDELA	BIG WASHER	12
52	201203034	CHAPA UNION TUBO	BLOWER TUBE SUPPORT	1
53	201203035	MUELLE	SPRING	1
54	G01115	TORNILLO M6X16	BOLT	2
55	G02002	ARANDELA ϕ 10	FLAT WASHER	8
56	G02008	ARANDELA ϕ 6	FLAT WASHER	10
57	G03002	ANILLO ϕ 8	SPRING WASHER	18
58	201203036	CASQUILLO GUIA	GUIDE SLEEVE	1
59	201203037	CONECTOR	CONNECTING	1
60	G03001	ANILLO ϕ 10	SPRING WASHER	4
61	G04001	TUERCA M10	NUT	4
62	201203038	CLIP PASADOR	COTTER	1
63	201203039	CARCASA DERECHA	RIGHT WORM GEAR CASE	1
64	G01150	TORNILLO M6X30	BOLT	4
65	201203040	CHAVETA	COTTER	4
66	201203041	TORNILLO DRENAJE	OILING SCREW	1
67	G07025	CHAVETA	FLAT KEY	1
68	201203042	PLACA CONEXIÓN	JUNCTION PLATE	1
69	G09014	ARANDELA	WASHER ON SHAFT	2
70	G08037	RODAMIENTO 6004-2rs	BEARING	4
71	201203043	ANILLO ESPACIADOR	SPACE RING	1
72	201203044	ENGRANAJE PEQUEÑO	SMALL GEAR	1
73	201203045	CAJA TRANSMISION	GEARBOX CASING	1
74	G10007	FRENILLO	WASHER ON HOLE	1
75	201203046	JUNTA SELLADO	SEALING GASKET 1	1
76	G01005	TORNILLO M8X20	BOLT	4
77	G02003	ARANDELA ϕ 8	FLAT WASHER	8
78	G01010	TORNILLO M6X16	BOLT	1
79	G03003	ARANDELA ϕ 6	SPRING WASHER	1
80	G02007	ARANDELA ϕ 22X ϕ 6.3X2	ESPECIALLY BIG WASHER	1
81	G07004	CHAVETA 5X5X20	FLAT KEY	1
82	201203047	ENGRANAJE GRANDE	BIG GEAR	1
83	201203048	PLACA CONEXIÓN	SLEEVE B	1
84	G01045	TORNILLO M8X30	BOLT	4
85	201203049	EJE	SPLINE SHAFT	1
86	201105011	CASQUILLO	HEEL	1
87	201105010	JUNTA	GASKET	1
88	201105012	MUELLE	SPRING	1
89	201109001	CONECTOR	FUNCTION CONNECTING	1
90	201105007	JUNTA	GASKET	1
91	G09009	ARANDELA	WASHER ON SHAFT	1
92	201203050	CASQUILLO ESPACIADOR	SPACER BUSH (SHORT)	2

4. G-GRASS 97-V23

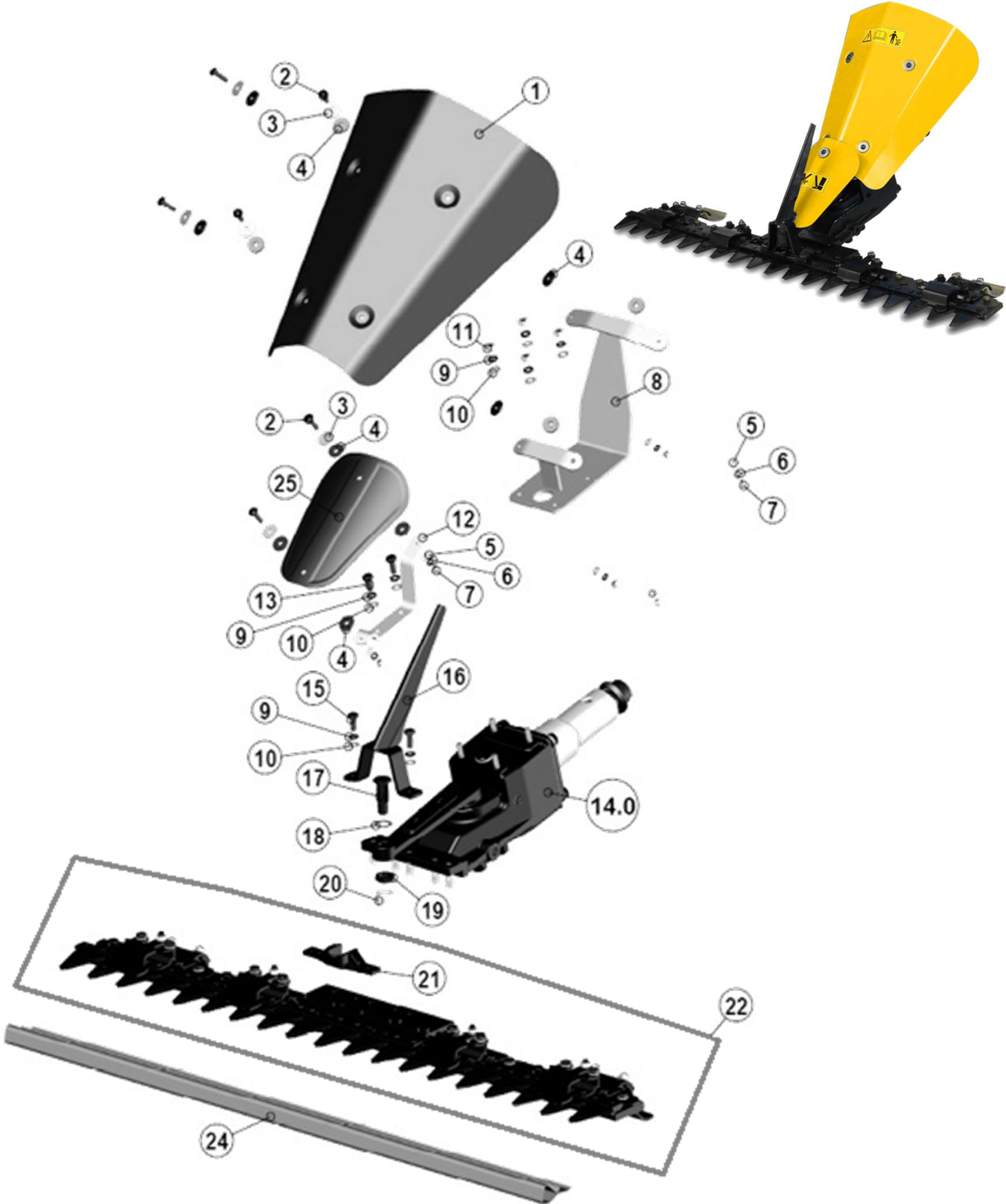


FIG. 4 G-GRASS 97-V23

Nº	Nº Ref.	Descripción	English name	Uds.
1	201106001	PLACA PRINCIPAL	BOLT	1
2	G01018	TORNILLO M6X25	SPRING WASHER	6
3	G02007	ARANDELA	AXLE WASHER	6
4	201106002	JUNTA	RIGHT METAL WHEEL	12
5	G02008	ARANDELA	LEFT METAL WHEEL	6
6	G03003	ANILLO 6	FLAT KEY	6
7	G04008	TUERCA M6	AXLE OF METAL WHEEL	6
8	201106003	SOPORTE	RIDGER CONNECTING SHAFT	1
9	G03002	ANILLO 8	NUT	8
10	G02003	ARANDELA 8	SPRING WASHER	8
11	G04002	TUERCA M8	FLAT WASHWER	4
12	201106004	PLACA	BOLT	1
13	G01005	TORNILLO M8X20	COULTER	2
15	G01004	TORNILLO M8X25	BOLT	2
14	FIGURA 14	ENGRANAJE PRINCIPAL	MAIL GEAR	1
16	201106018	GUIA SUJECCION	BOLT	1
17	201106019	PASADOR CUCHILLAS	BLADES PIN	1
18	201106020	JUNTA	GASKET	1
19	201106021	TUERCA	NUT	1
20	201106022	CASQUILLO	SILDER	1
21	201106023	SOPORTE CUCHILLAS	SUPPORT	1
22	201106024	CUCHILLAS+SOPORTE	SUPPORT+CUTTER	1
23	G04004	TUERCA CUCHILLAS M10	BLADE ASSY	5
24	201106025	FUNDA CUCHILLAS	BLADE COVER	1
25	201106026	PLACA INFERIOR	SMALL SHIELD	1

(4) 14. ACCESORIO

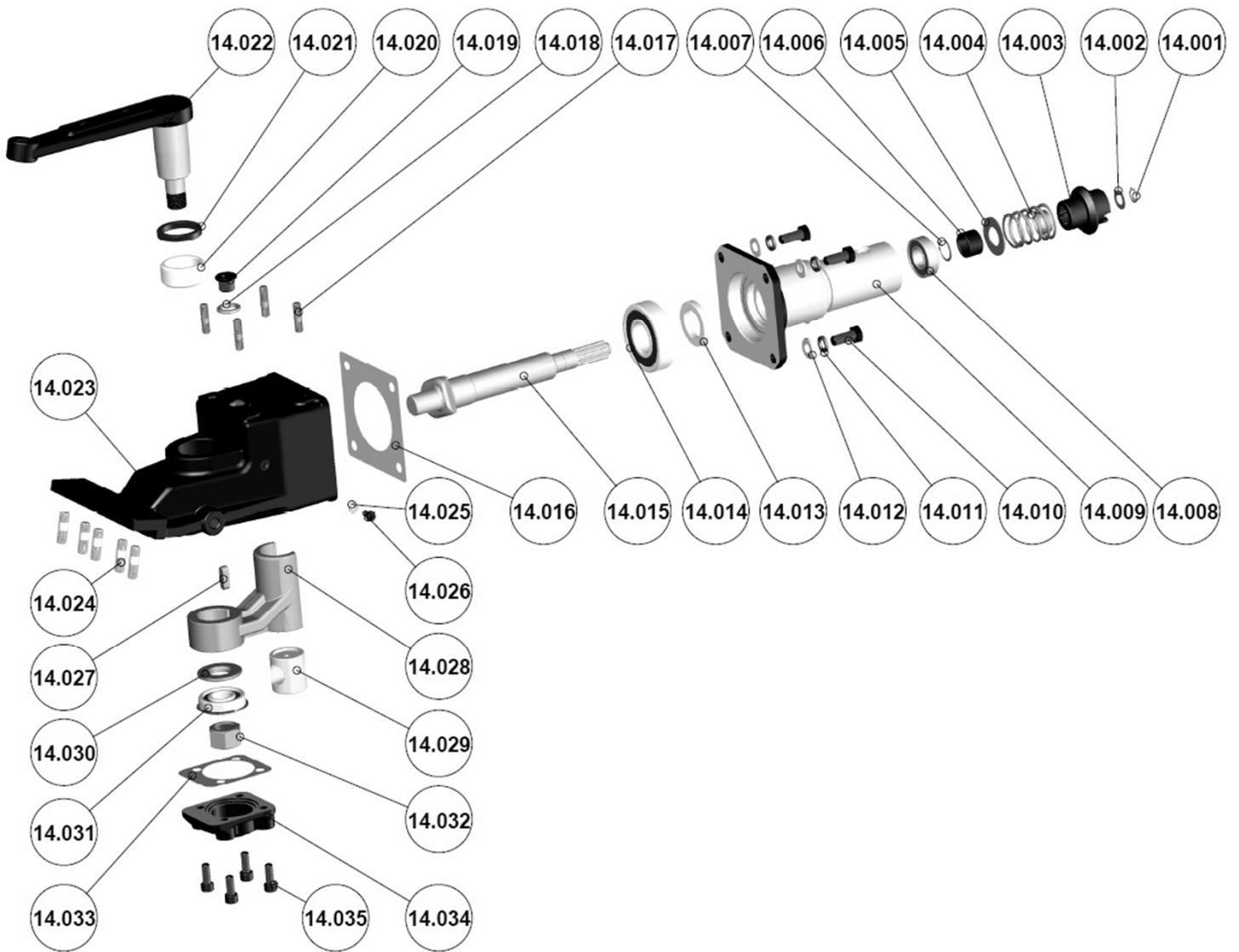


FIG. (4)14 ACCESORIO

Nº	Nº Ref.	Descripción	English name	Uds.
1	G09009	TUERCA BLOQUEO	WASHER ON SHAFT	1
2	201105007	ARANDELA	WASHER	1
3	201106005	CONECTOR	FUNCTION CONNECTION	1
4	201105012	MUELLE	SPRING	1
5	201105010	ARANDELA	WASHER	1
6	201105011	ALMOHADILLA	HEEL	1
7	G09014	FRENILLO	WASHER ON SHAFT	1
8	G08037	RODAMIENTO 6004-2RS	BEARING	1
9	201106006	SOPORTE CONECTOR	CONNECTOR SUPPORT	1
10	G01050	TORNILLO M10X25	BOLT	4
11	G03001	ARANDELA	SPRING WASHER	4
12	G02002	ARANDELA	FLAT WASHER	4
13	G05019	RETEN 47X30X7	FASKET	1
15	G08024	RODAMIENTO 6306	BEARING	1
14	201106007	EJE PRINCIPAL	SPLINE SHAFT	1
16	201106008	JUNTA	SEALING GASKET	1
17	G01110	TORNILLO DOBLE M8X20	DOUBLE-END BOLT	4
18	201102022	JUNTA	RUBBER BLANKET	1
19	201102021	TORNILLO DRENAJE M16X1.5X12	OIL INLET SCREW	1
20	G08030	RODAMIENTO NK35/20	BEARING	1
21	G05018	RETEN 45X35X7	GASKET	1
22	201106009	PALANCA	SWING ARM	1
23	201106010	CAJA CAMBIOS	GEARBOX	1
24	G01112	TORNILLO DOBLE M10X22	DOUBLE-END BOLT	5
25	201106011	JUNTA	GASKET SEAL	1
26	G01092	TORNILLO M6X10	SCREW	1
27	201106012	CHAVETA	FLAT KEY	1
28	201106013	SOPORTE	WHEEL SUPPORT	1
29	201106014	POLEA	WHEEL	1
30	201106015	ARANDELA	BAFFLE OF SUPPORT	1
31	G08027	RODAMIENTO 6204-2Z	BEARING	1
32	201106016	TUERCA BLOQUEO	NUT	1
33	201106017	JUNTA	SEALING GASKET	1
34	SP360-2-34	TAPA CAJA CAMBIOS	GEARBOX COVER	1
35	G01028	TORNILLO M8X20	BOLT	4

5. G-MULE 6-V23

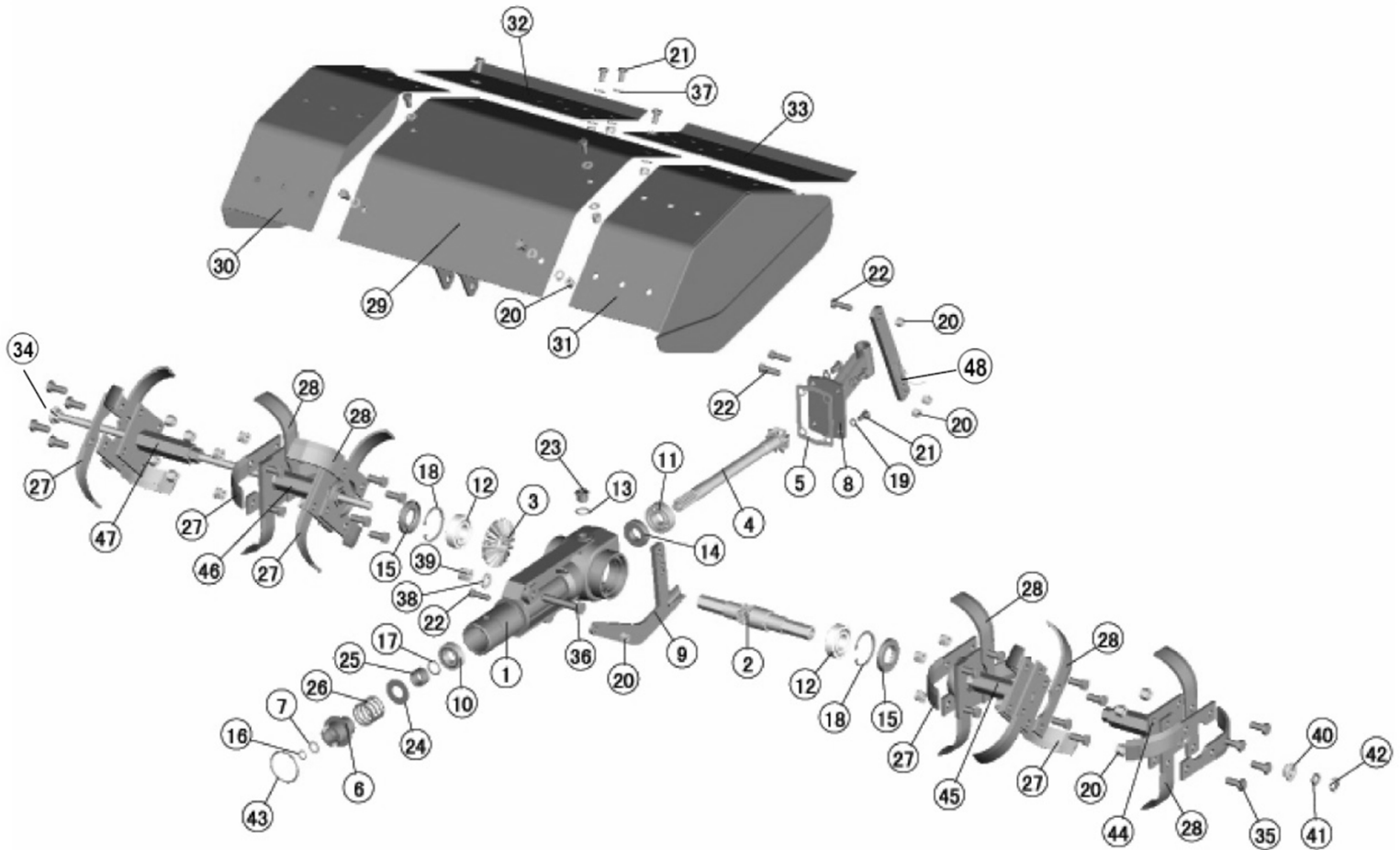


FIG. 5 - G-MULE 6-V23

Nº	Nº Ref.	Descripción	English name	Uds.
1	201105001	CAJA CAMBIOS	GEARBOX	1
2	201105002	EJE ENGRANAJE	GEAR SHAFT	1
3	201105003	ENGRANAJE CONICO	BEVEL GEAR	1
4	201105004	EJE	BEVEL GEAR SHAFT	1
5	201105005	JUNTA PROTECTOR	SEALING GASKET	1
6	201105006	CONECTOR 2	CONNETOR 2	1
7	201105007	ARANDELA	WASHER	1
8	201105008	PROTECTOR	CASE COVER	1
9	201105009	SOPORTE CONECTOR	CONNECTION SUPPORT	1
10	G08037	RODAMIENTO 6004-2RS	BEARING 6004-2RS	1
11	G08022	RODAMIENTO 6204	BEARING 6204	1
12	G08023	RODAMIENTO 6205	BEARING 6205	2
13	201102022	JUNTA TORICA	RUBBER WASHER	1
14	G05013	RETEN 42X20X10	FB SEAL PLATE	1
15	G05017	RETEN 52X25X7	FB SEAL PLATE	2
16	G09009	ANILLO EJE 12	SHAFT SPRING COLLAR	1
17	G09014	ANILLO EJE 20	SHAFT SPRING COLLAR	1
18	G10009	FRENILLO 52	HOLE SPRING COLLAR	2
19	G03002	ARANDELA	SPRING WASHER	4
20	G04005	TUERCA M8	HEX NUT	36
21	G01006	TORNILLO M8X16	HEX BOLT	12
22	G01045	TORNILLO M8X30	HEX BOLT	4
23	201102021	TORNILLO DRENAJE	FILLER OPENING SCREW	1
24	201105010	JUNTA	SEAT PAD	1
25	TI360	CASQUILLO	SLEEVE	1
26	201105012	MUELLE	SPRING	1
27	201105013	CUCHILLA 1	BLADE 1	12
28	201105014	CUCHILLA 2	BLADE 2	12
29	201105015	PLACA CENTRAL	COVER	1
30	201105016	PLACA DERECHA	RIGHT COVER 1	1
31	201105017	PLACA IZQUIERDA	LEFT COVER 1	1
32	201105018	TAPA DERECHA	RIGHT COVER BOARD	1
33	201105019	TAPA IZQUIERDA	LEFT COVER BOARD	1
34	201105020	EJE CUCHILLAS	HOLDING PIN	1
35	G01004	TORNILLO CUCHILLAS M8X25	HEX BOLT	24
36	G01130	TORNILLO M12X65	HEX BOLT	1
37	G02003	ARANDELA 8	FLAT WASHER	16
38	G02001	ARANDELA 12	FLAT WASHER	1
39	G04016	TUERCA M12	HEX NUT	1
40	201105021	PLACA PRESION	HEXAGONAL WASHER	1
41	G03006	ARANDELA	SPRING WASHER	1
42	G04009	TUERCA M12	HEX NUT	1
43	G05008	JUNTA 45X2.65	O TYPE RUBBER SEAL	1
44	201105022	SOPORTE EXTERIOR IZQ CUCHILLAS	LEFT BLADE SUPPORT 2	1
45	201105023	SOPORTE INTERIOR IZQ CUCHILLAS	LEFT BLADE SUPPORT 1	1
46	201105024	SOPORTE INTERIOR DR CUCHILLAS	RIGHT BLADE SUPPORT 1	1
47	201105025	SOPORTE EXTERIOR DR CUCHILLAS	RIGHT BLADE SUPPORT 2	1
48	201105026	PLACA GUIA	LONG JUNCTION PLATE	1

6. APORCADOR + RUEDAS METALICAS

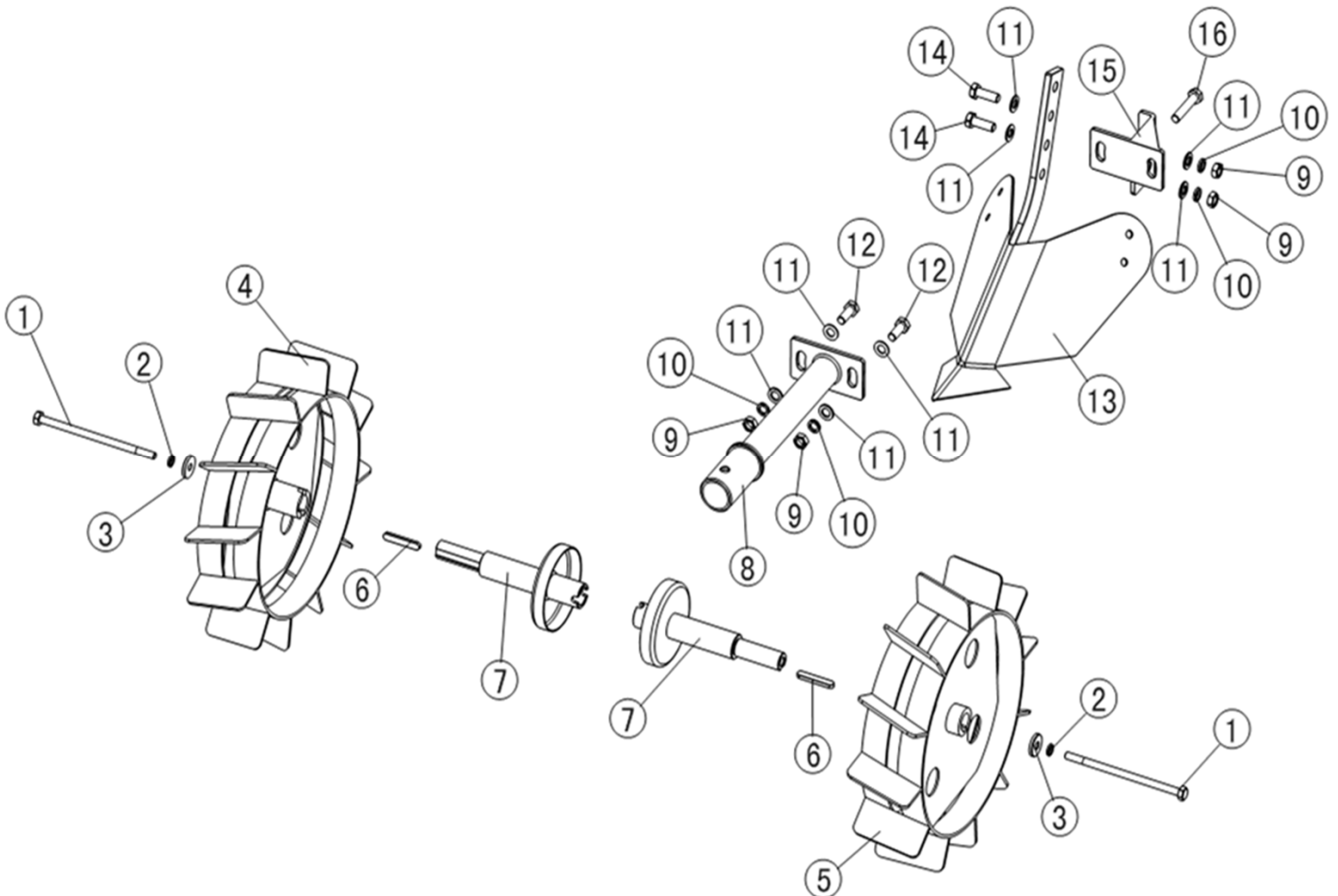


FIG. 6 ACCESORIO

Nº	Nº Ref.	Descripción	English name	Uds.
1	G01151	TORNILLO M10X190	SCREW	2
2	G03001	ARANDELA 10	WASHER 10	2
3	201102145	ARANDELA RUEDA	WASHER	2
4	201134003	RUEDA DERECHA	RIGHT METAL WHEEL	1
5	201134004	RUEDA IZQUIERDA	LEFT METAL WHEEL	1
6	G07009	CHAVETA A10X6X50	FLAT KEY	2
7	201134005	EJE RUEDA	AXLE OF METAL WHEEL	2
8	201134001	EJE PRINCIPAL	RIDGER CONNECTING SHAFT	1
9	G04009	TUERCA M12	NUT	4
10	G03006	ARANDELA 12	WASHER	4
11	G02001	ARANDELA 12	SPRING WASHER	8
12	G01152	TORNILLO M12X30	SCREW	2
13	201134002	APORCADOR	PLOW	1
14	G01153	TORNILLO M12X35	SCREW	2
15	201134006	PLACA SUJECCION	ADJUST RETAINING PLATE	1
16	G01154	TORNILLO M12X50	SCREW	1