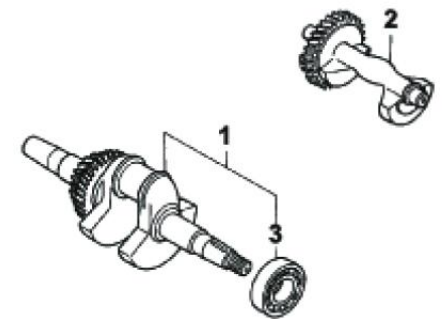
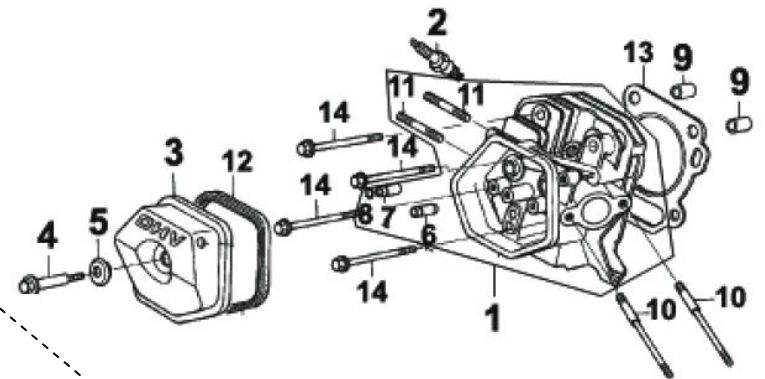
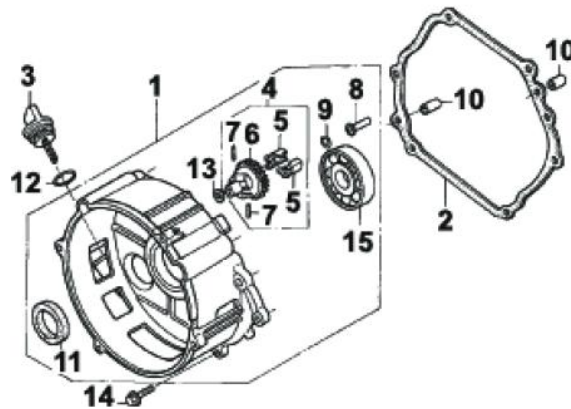
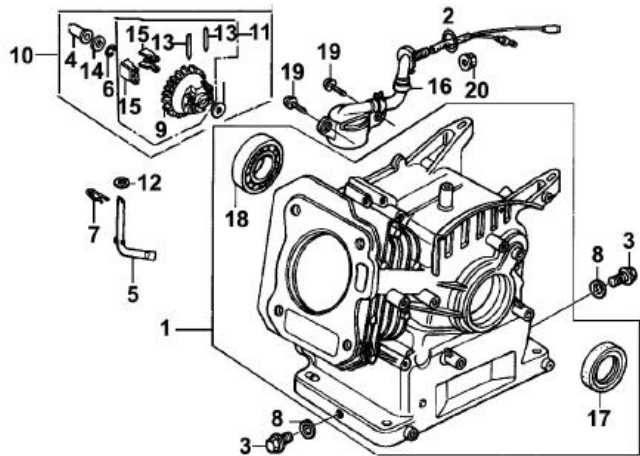
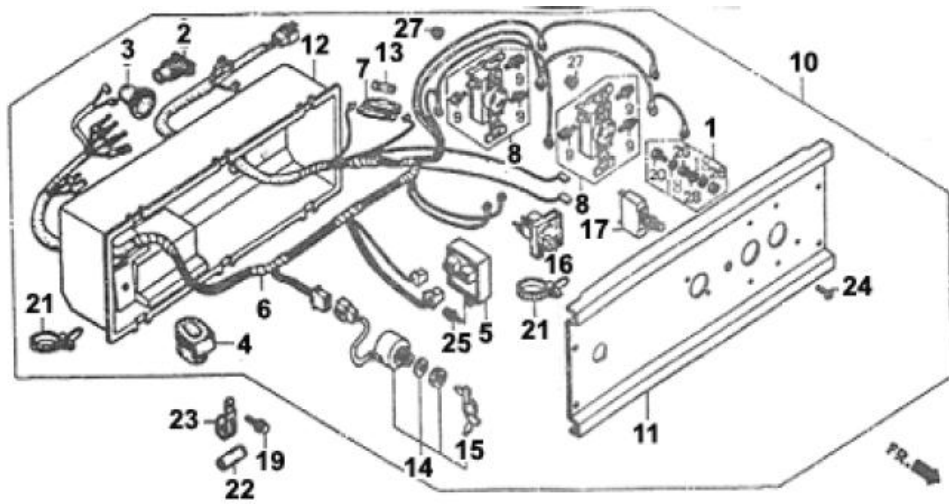


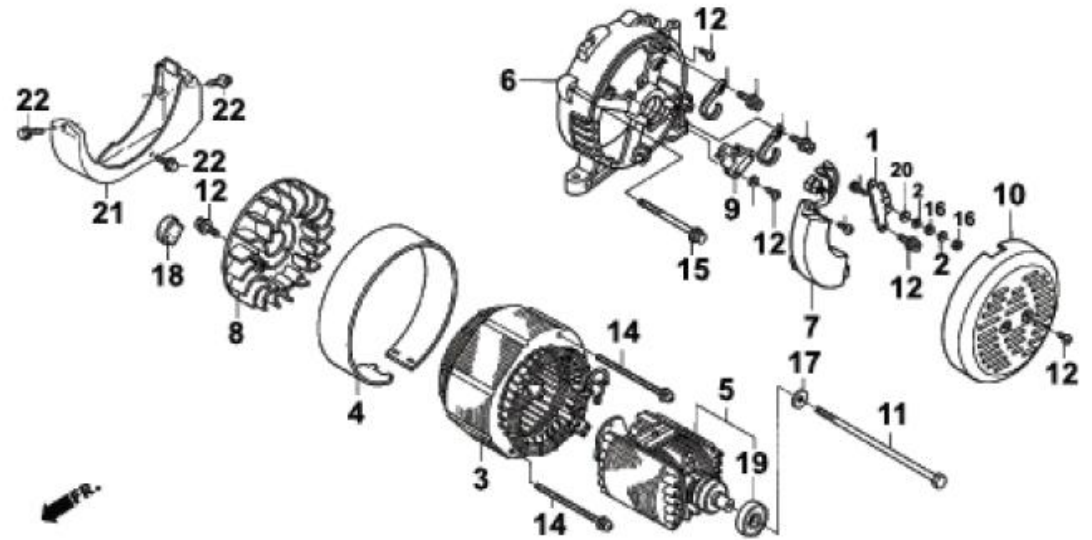
ALNOVA®

GC7000E (1)



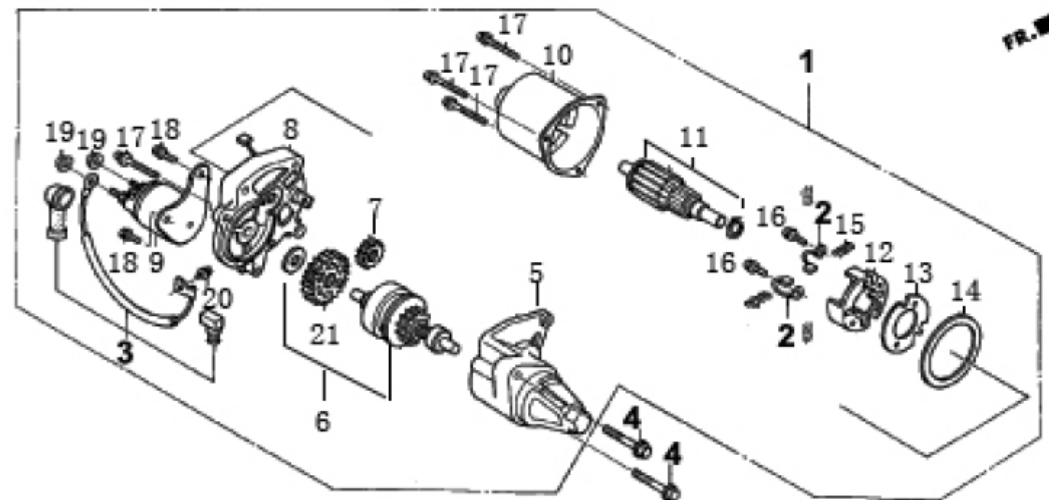
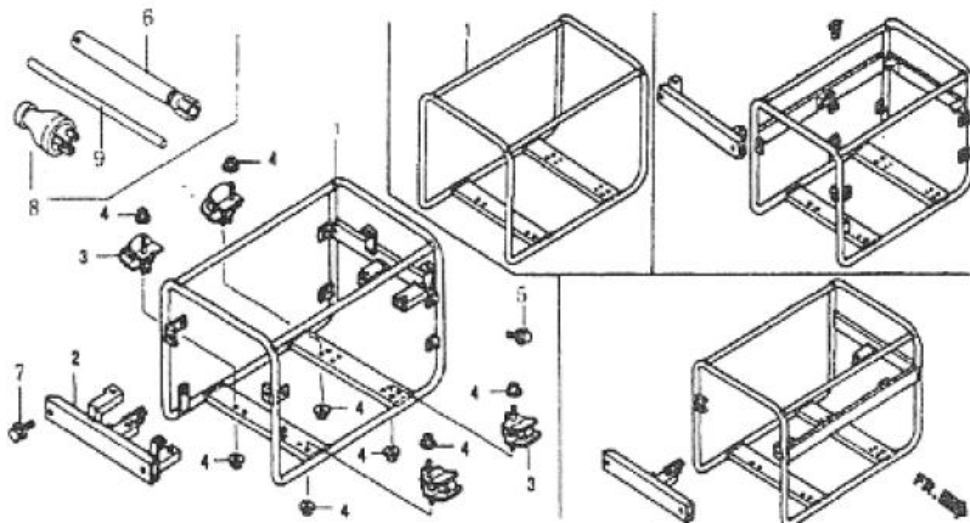


using

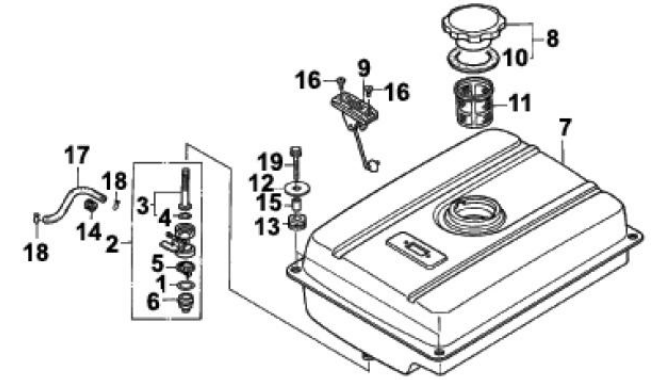
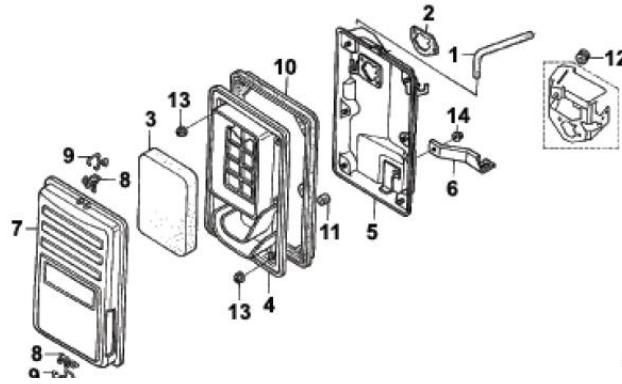
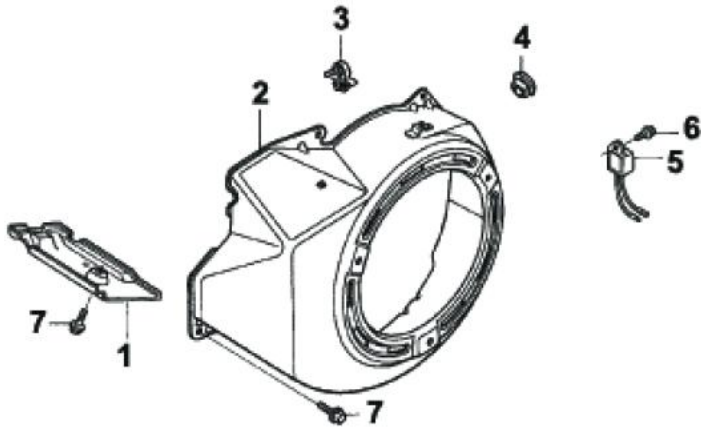


ALNOVA®

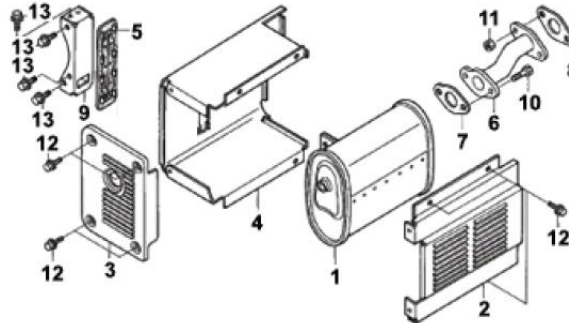
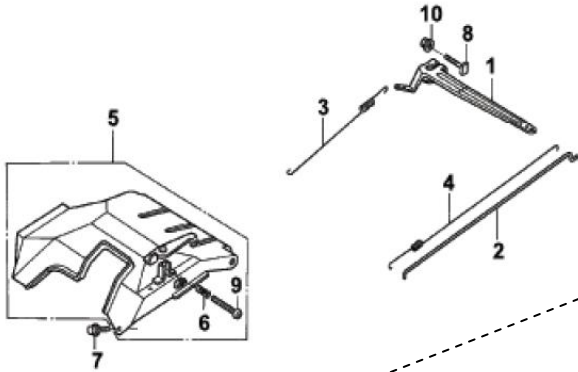
GC7000E (2)



150001



F.R.A.



DAVID® GC7000E (3)

