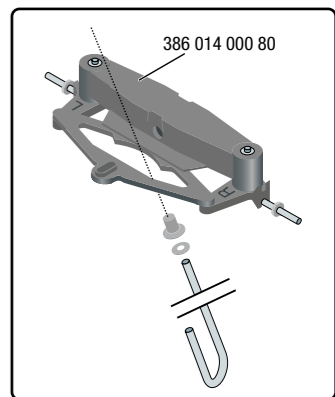
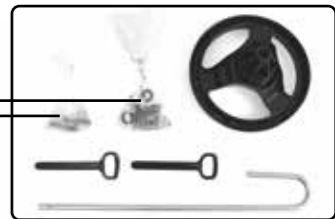
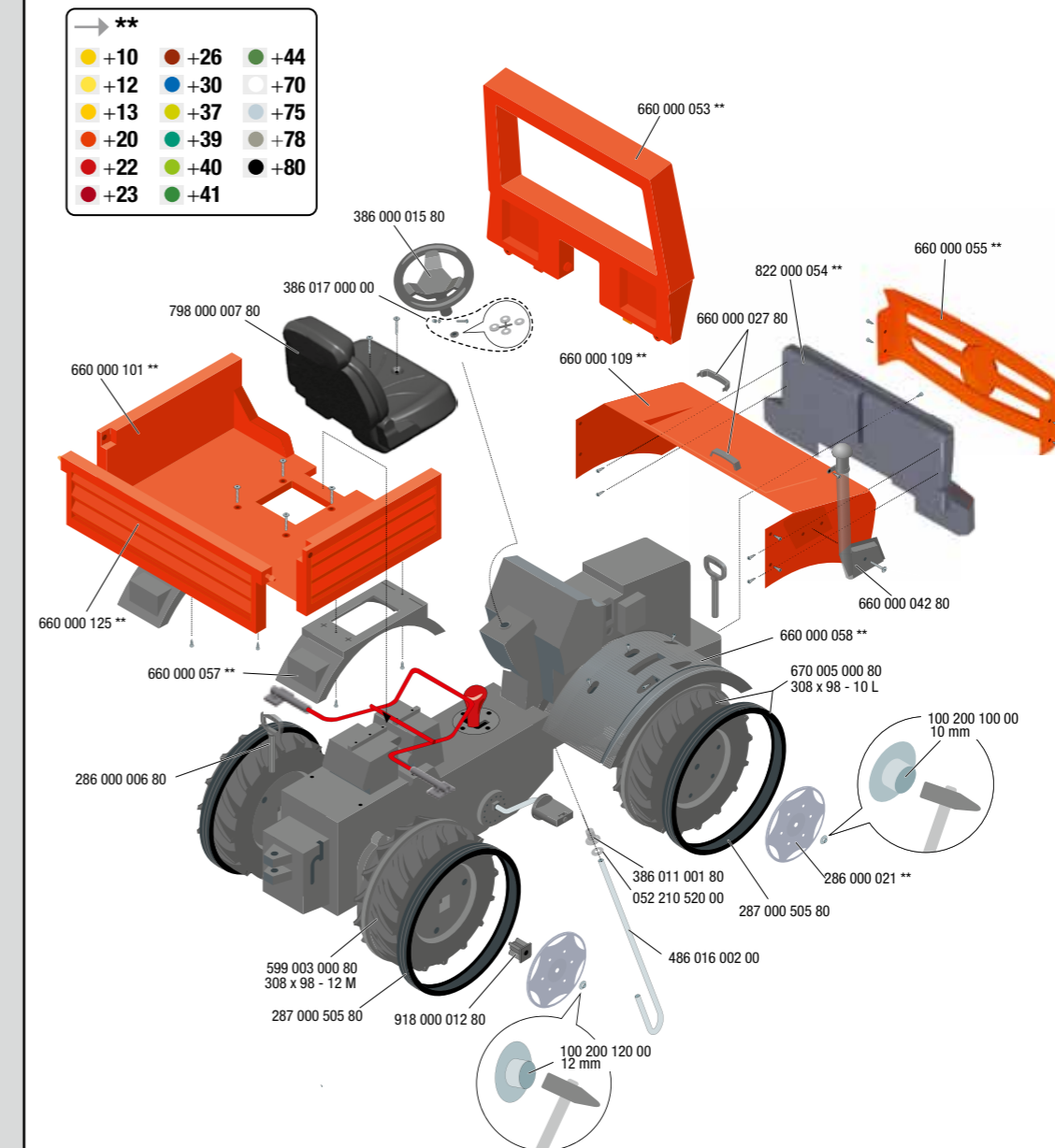
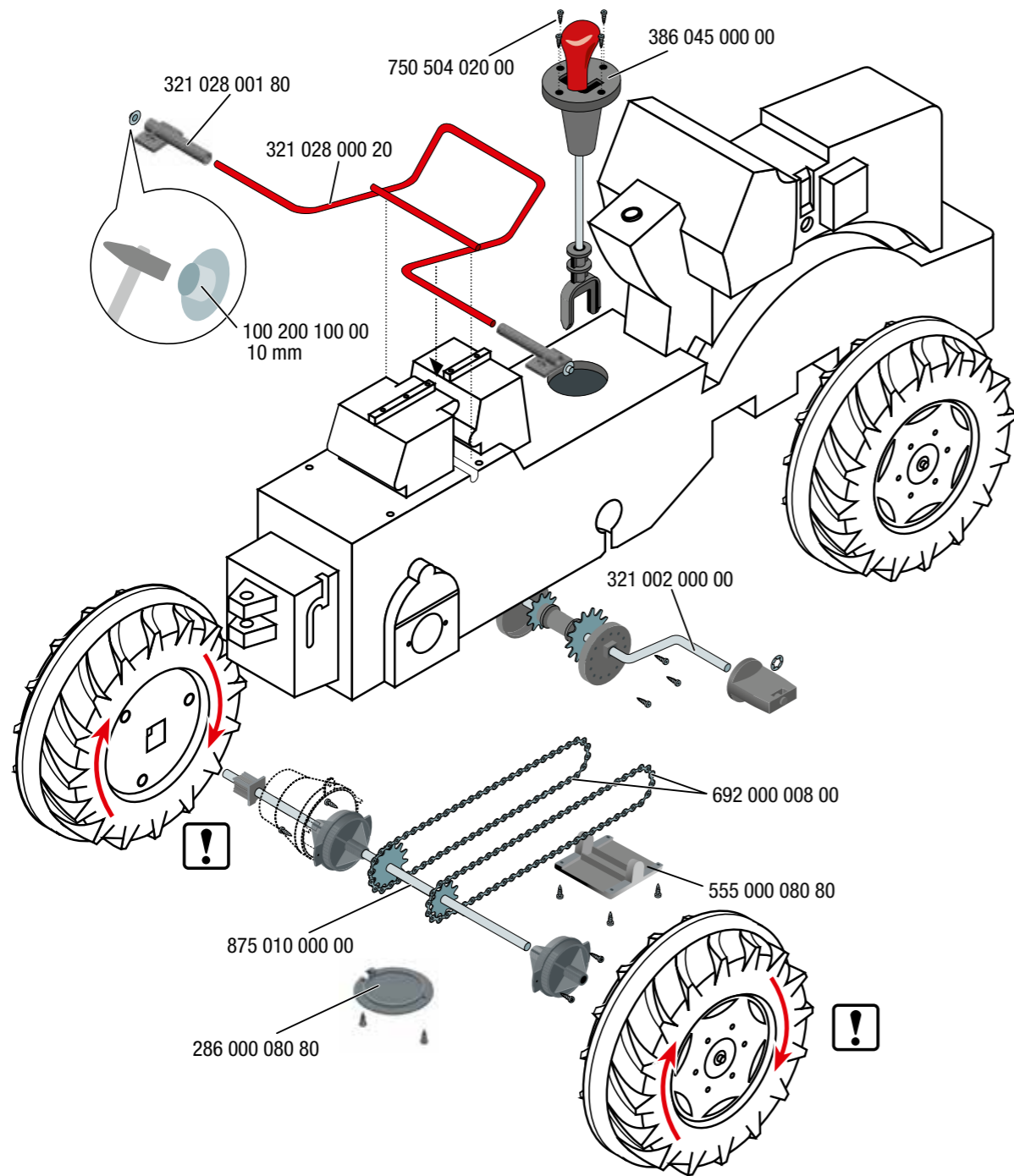




**rollytoys Kundendienst Deutschland:**  
Tel: +49 (0) 95 68 / 856-142  
Fax: +49 (0) 95 68 / 856-183  
e-mail: service@rollytoys.de

2020/05

**822.000.800.00**



---NORTH & SOUTH AMERICA only---

**180 days warranty**

From the date of purchase + guaranteed spare part service

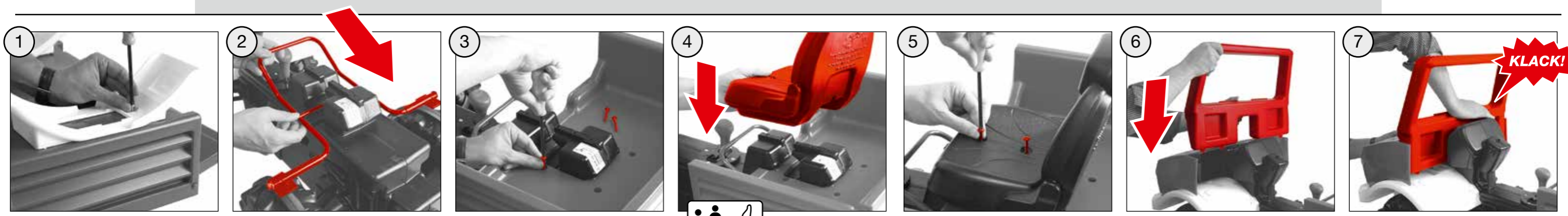
The warranty does not cover damages caused by improper use or neglect



made in Germany



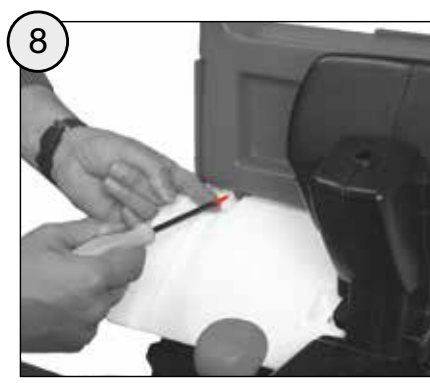
**Franz Schneider GmbH & Co KG**  
P.O.Box 1460  
D-96459 - Neustadt bei Coburg - Germany  
Tel.: +49 (0) 95 68 / 856-0  
Fax.: +49 (0) 95 68 / 856-190  
www.rollytoys.com



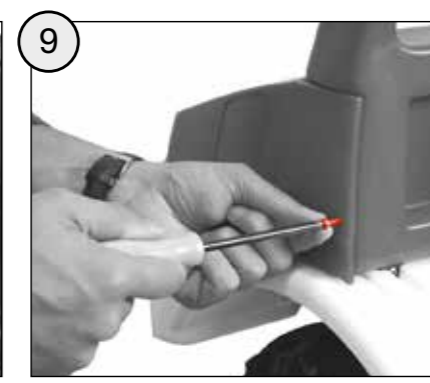
①  
 (A) 4x17  
 4x

③  
 (B) 5x40  
 4x

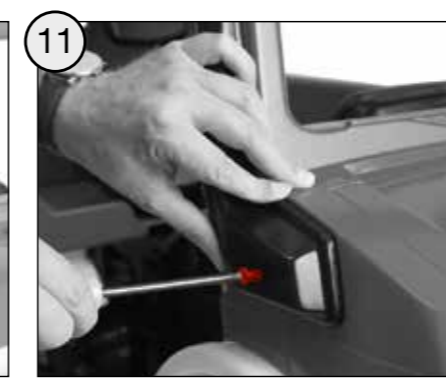
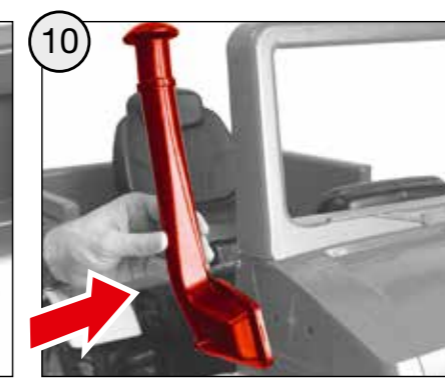
⑤  
 (C) 5x40  
 2x



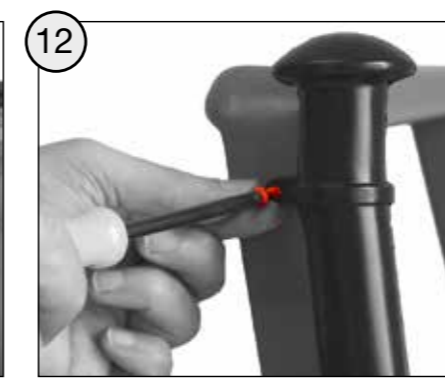
⑧  
 (E) 4x17  
 2x



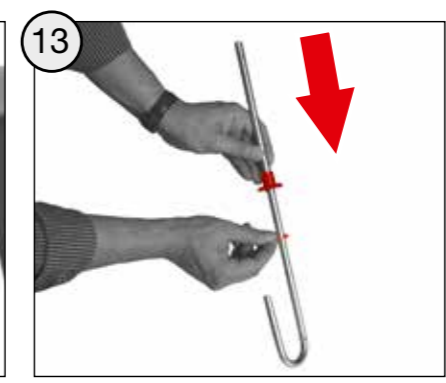
⑨  
 (F) 4x17  
 4x



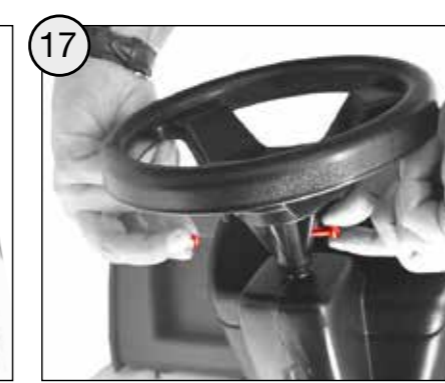
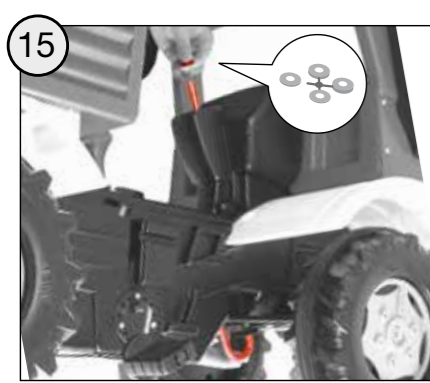
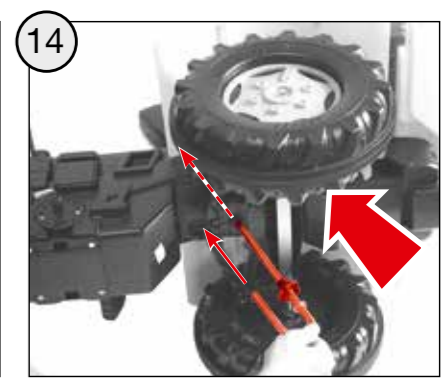
⑪  
 (G) 5x40  
 1x



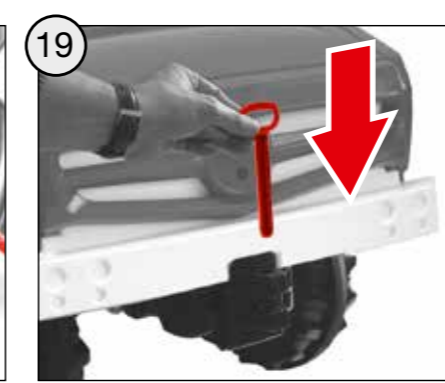
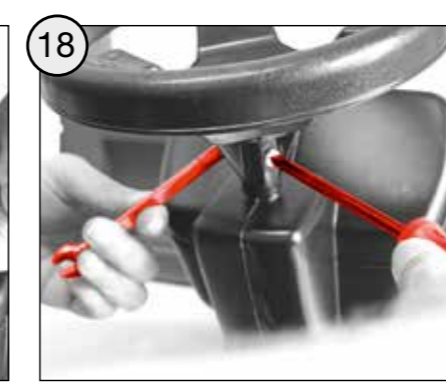
⑫  
 (H) 4x17  
 1x



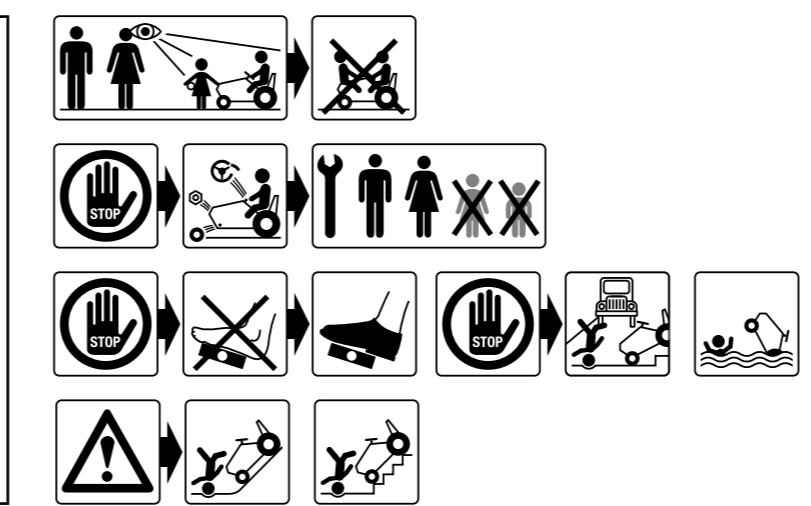
⑬  
 (K) Ø 20 x Ø10,5x1  
 1x 1x



⑬ 5x30    ⑭ M5  
 1x 1x



(A)+(E)+(F)+(H) 4 x 17  
 11x   
 (K) Ø20 x Ø10,5 x 1  
 1x   
 (L) M5 x 30  
 1x   
 (B)+(C)+(G) 5 x 40  
 7x   
 (M) M5  
 1x 1x   
 (metrisch • metric • métrique • metrico)  
 0 10 20 30 40 50 mm



**⚠ WARNING:**  
**CHOKING HAZARD – Small parts.**  
 Not for children under 3 years.

- CHOKING HAZARD - Small parts, Danger of being swallowed. Contains small parts in nonassembled state. Must be assembled by adults.
- If toy is defective stop using it, repairs may only be carried out by adults.
- Adult supervision required.
- Never use near steps, slopes, driveways, hills, roadways, alleys or swimming pool areas.
- Always wear shoes.
- Never allow more than one rider.
- The use of protective gear and safety helmet is highly recommended.
- Conforms to the requirements of ASTM Standard Consumer Safety Specification on Toy Safety, F 963.