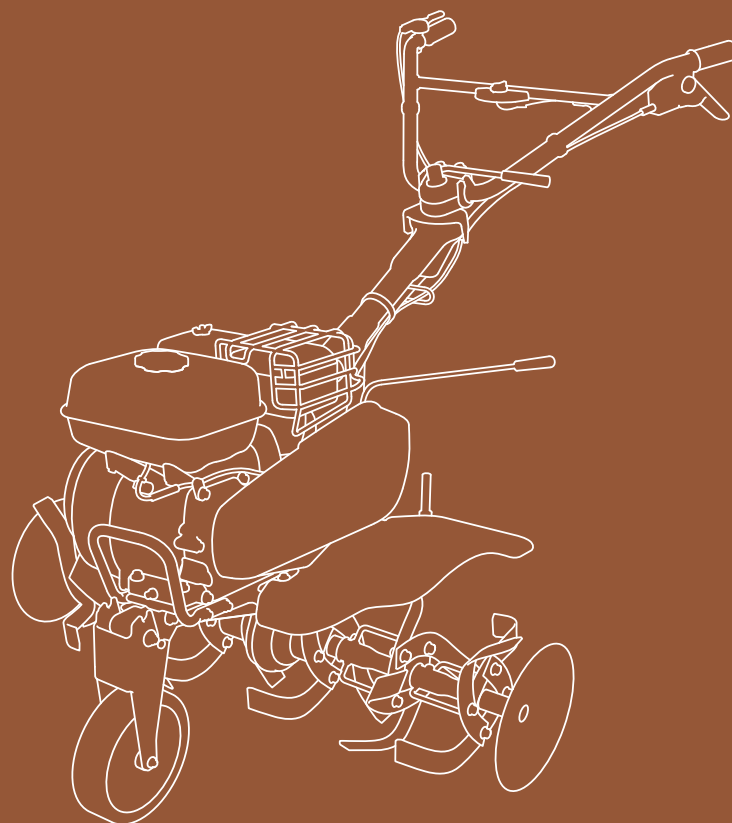


**HONDA**  
POWER PRODUCTS

# TILLER

## FJ500



ECOLOGY CONSCIOUS TECHNOLOGY

**OWNER'S MANUAL**  
**MANUEL DE L'UTILISATEUR**  
**BEDIENUNGSANLEITUNG**  
**MANUAL DE EXPLICACIONES**  
**MANUALE DELL'UTENTE**

# Honda FJ500

## **OWNER'S MANUAL**

Original instructions

## **MANUEL DE L'UTILISATEUR**

Notice originale

## **BEDIENUNGSANLEITUNG**

Originalbetriebsanleitung

## **MANUAL DE EXPLICACIONES**

Manual original

## **MANUALE DELL'UTENTE**

Istruzioni originali



ECOLOGY CONSCIOUS TECHNOLOGY

The "e-SPEC" mark symbolizes environmentally responsible technologies applied to Honda power equipment, which contains our wish to "preserve nature for generations to come."

---

Thank you for purchasing a Honda tiller.

This manual covers operation and maintenance of the FJ500 tiller.

All information in this publication is based on the latest product information available at the time of printing.

Honda Motor Co., Ltd. reserves the right to make changes at any time without notice and without incurring any obligation.

No part of this publication may be reproduced without written permission.

This manual is considered a permanent part of the tiller and it must stay with the tiller if resold.

Pay special attention to statements preceded by the following words:

**▲WARNING** Indicates a strong possibility of severe personal injury or death if instructions are not followed.

**CAUTION:** Indicates a possibility of personal injury or equipment damage if instructions are not followed.

**NOTE:** Gives helpful information.

If a problem should arise, or if you have any questions about your tiller, consult an authorized Honda tiller dealer.

**▲WARNING**

The Honda tiller is designed to give safe and dependable service if operated according to instructions. Read and understand the Owner's Manual before operating the tiller. Failure to do so could result in personal injury or equipment damage.

- The illustration may vary according to the type.

---

**Disposal**

To protect the environment, do not dispose of this product, battery, engine oil, etc. carelessly by leaving them in the waste. Observe the local laws and regulations or consult your authorized Honda dealer for disposal.



# CONTENTS

---

1. SAFETY INSTRUCTIONS .....	3
2. SAFETY LABEL LOCATIONS .....	9
CE Mark Location.....	10
Serial Number Locations .....	11
3. COMPONENT IDENTIFICATION .....	12
4. PRE-OPERATION CHECK .....	14
5. STARTING THE ENGINE .....	23
Carburetor Modification for High Altitude Operation.....	26
6. TILLER OPERATION .....	27
7. STOPPING THE ENGINE .....	37
8. MAINTENANCE.....	40
9. TRANSPORTING/STORAGE .....	61
10. TROUBLESHOOTING .....	64
11. SPECIFICATIONS.....	65
MAJOR Honda DISTRIBUTOR ADDRESSES .....	Inside back cover
“EC Declaration of Conformity” CONTENT OUTLINE.....	Inside back cover

# 1. SAFETY INSTRUCTIONS

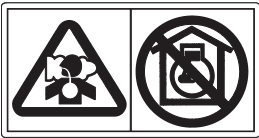
## ⚠ WARNING

To ensure safe operation—

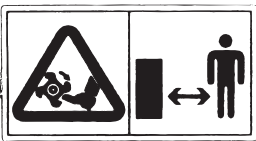
For your safety and the safety of others, pay special attention to these precautions:



- Honda tiller is designed to give safe and dependable service if operated according to instructions. Read and understand the Owner's Manual before operating the tiller. Failure to do so could result in personal injury or equipment damage.



- Exhaust contains poisonous carbon monoxide, a colorless, odorless gas. Breathing carbon monoxide can cause loss of consciousness and may lead to death.
- If you run the tiller in an area that is confined, or even partially enclosed area, the air you breathe could contain a dangerous amount of exhaust gas.
- Never run your tiller inside a garage, house, or near open windows or doors.



- The rotating tines are sharp and they turn at high speed. Accidental contact can cause serious injury.
- Keep your hands and feet away from the tines while engine is running.
- Stop the engine and disengage the tines clutch before inspection or maintenance of tines.
- Disconnect the spark plug cap to prevent any possibility of accidental starting. Wear heavy gloves to protect your hands from the tines when cleaning the tines or when inspecting or replacing the tines.



- Gasoline is extremely flammable and is explosive under certain conditions.
- Do not smoke or allow flames or sparks in the area where the tiller is refueled or where gasoline is stored.
- Do not overfill the fuel tank, and make sure the fuel tank cap is closed securely after refueling.
- Refuel in a well-ventilated area with the engine stopped.

## Operator responsibility

- Keep the tiller in good operating condition. Operating a tiller in poor or questionable condition could result in serious injury.
- Be sure all safety devices are in working order and warning labels are in place. These items are installed for your safety.
- Be sure the safety covers (tine covers, fan cover and recoil starter cover) are in places.
- Know how to stop the engine and tines quickly in case of emergency. Understand the use of all controls.
- Keep a firm hold on the handlebars. They may tend to lift during clutch engagement.

---

**⚠ WARNING**

To ensure safe operation–

### Operator responsibility

- Read the owner's manual carefully. Be familiar with the controls and their proper use of the tiller.
- Use the tiller for the purpose it is intended that is, cultivating the soil. Any other use could be dangerous or damage the equipment, especially never use it to cultivate soil containing rocks, stones, wires and any other hard materials.
- Never allow children or people unfamiliar with this owner's manual to use the tiller. Local regulations may restrict the age of the operator.
- Before each use, visually inspect the tiller including parts for any wear, damage and looseness. If necessary, replace the damaged parts as an assembly.
- Keep in mind that the owner or user is responsible for accidents or damage, occurring to other people or their property. In the event of hire use, be sure that operational explanations are given in the presence of the user.
- Keep your hands and feet away from the tines while the engine is running.
- Allowing anyone to operate this tiller without proper instruction may result in injury.
- Wear sturdy, full-coverage footwear. Operating this tiller barefoot or with open toe shoes or sandals increases your risk of injury.
- Dress sensibly. Loose clothing may get caught in moving parts, increasing your risk of injury.
- Be alert. Operating this tiller when you are tired, ill or under the influence of alcohol or drugs may result in serious injury.
- Keep all persons and pets away from the tilling area.
- Be sure drag bar is in place and properly adjusted.
- Do not change the engine governor settings or overspeed the engine.
- Start the engine carefully according to the instructions in this manual, keeping your feet away from the tines.
- When starting the engine, keep your feet away from the tines.
- Avoid operating the tiller at night or in a bad weather of poor visibility, because there is much possibility of accident.
- Walk, never run during operation.
- When taking backward steps during operation, pay special attention to people and obstacles behind the operator.
- Before transporting or hoisting the tiller, make sure that the engine is stopped.

---

**⚠ WARNING**

To ensure safe operation–

### Operator responsibility

- Stop the engine in the following cases:
  - Whenever you leave the tiller unattended.
  - Before refueling
- When stopping the engine, move the throttle lever to the LOW position, then turn the engine switch OFF. If the fuel valve is equipped on the tiller, be sure to turn the fuel valve OFF.
- Keep all nuts, bolts and screws tight to be sure the tiller is in safe working condition. Regular maintenance is an essential aid to user's safety and retaining a high level of performance.
- Never store the tiller with gasoline in the tank inside a building where fumes may reach an open flame, spark or high temperature source.
- Allow the engine to cool before storing in any enclosure.
- To reduce the fire hazard, keep the tiller especially the engine, muffler, the gasoline storage area as well, free of grass, leaves, or excessive grease.  
Do not leave containers of vegetable matters in or near a building.
- If the fuel tank has to be drained, this should be done outdoors, with a cold engine.
- Replace the worn or damaged parts for safety.

### Child safety

- Keep children indoors and supervised at all times when any outdoor power equipment is being used nearby. Young children move quickly and are attracted especially to the tiller and the tilling activity.
- Never assume children will remain where you last saw them. Be alert and turn the tiller off if children enter the area.
- Children should never be allowed to operate the tiller, even under adult supervision.

### Thrown object hazard

Objects hit by the rotating tines can be thrown from the tiller with great force, and may cause serious injury.

- Before tilling, clear the tilling area of sticks, large stones, wire, glass, etc. Till only in daylight.
- Always inspect the tiller for damage after striking a foreign object. Repair or replace any damaged parts before continuous use.
- Pieces thrown from worn or damaged tines can cause serious injury. Always inspect the tines before using the tiller.

---

**⚠ WARNING**

**To ensure safe operation–**

**Fire and burn hazard**

Gasoline is extremely flammable, and gasoline vapor can explode. Use extreme care when handling gasoline. Keep gasoline out of reach of children.

- Add fuel before starting the engine. Never remove the cap of the fuel tank or add gasoline while the engine is running or when the engine is hot.
- Refuel in a well-ventilated area with the engine stopped.
- Refuel outdoors only and do not smoke while refueling or handling fuel.
- Allow the engine to cool before refueling. Fuel vapor or spilled fuel may ignite.
- The engine and exhaust system become very hot during operation and remain hot for a while after stopping. Contact with hot engine components can cause burn injuries and can ignite some materials.
- Avoid touching a hot engine or exhaust system.
- Allow the engine to cool before performing maintenance or storing the tiller indoors.
- Tighten all fuel tanks and container caps securely.
- Store fuel in containers specifically designed for this purpose.
- If gasoline is spilled, do not attempt to start the engine but move the tiller away from the area of spillage and avoid creating any source of ignition until gasoline vapors have dissipated.

---

**⚠ WARNING**

**To ensure safe operation–**

### **Carbon monoxide poisoning hazard**

Exhaust contains poisonous carbon monoxide, a colorless and odorless gas. Breathing exhaust can cause loss of consciousness and may lead to death.

- If you run the engine in an area that is confined or even partially enclosed, the air you breathe could contain a dangerous amount of exhaust gas. To keep exhaust gas from building up, provide adequate ventilation.
- Replace faulty muffler.
- Do not operate the engine in a confined space where dangerous carbon monoxide fumes can collect.

### **Operation on slope**

- When tilling on slopes, keep the fuel tank less than half full to minimize fuel spillage.
- Till across the slope (at equally spaced intervals) rather than up and down it.
- Be very careful when changing the direction of the tiller on a slope.
- Do not use the tiller on a slope of more than 10° (17%).

The maximum safe grade angle shown is for reference purpose only and should be determined according to the type of the tool. Before starting the engine, check that the tiller is not damaged and in good condition. For your safety and safety of others, exercise extreme care when using the tiller on up or down hill.

## 2. SAFETY LABEL LOCATIONS

These labels warn you of potential hazards that can cause serious injury. Read the labels and safety notes and precautions described in this manual carefully.

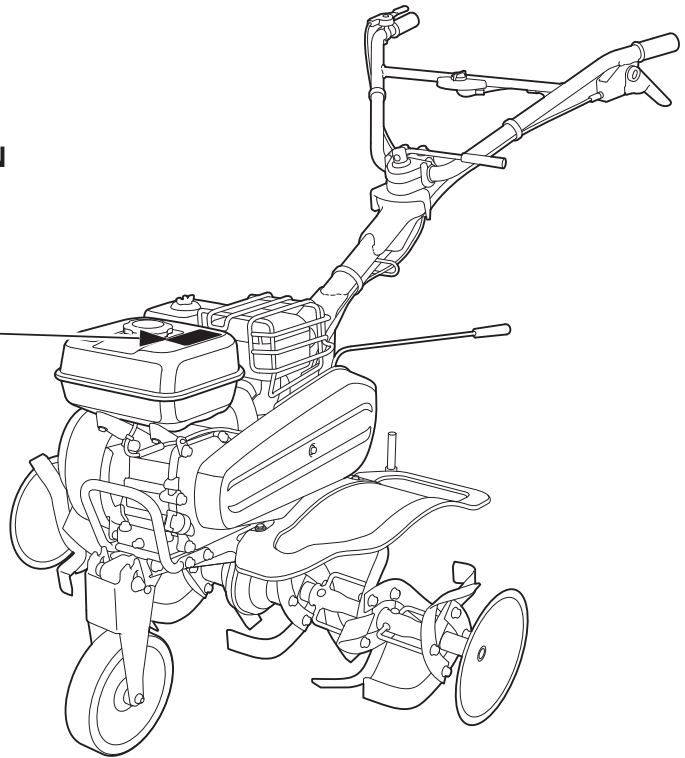
If a label comes off or becomes hard to read, contact your Honda dealer for a replacement.

READ OWNER'S MANUAL

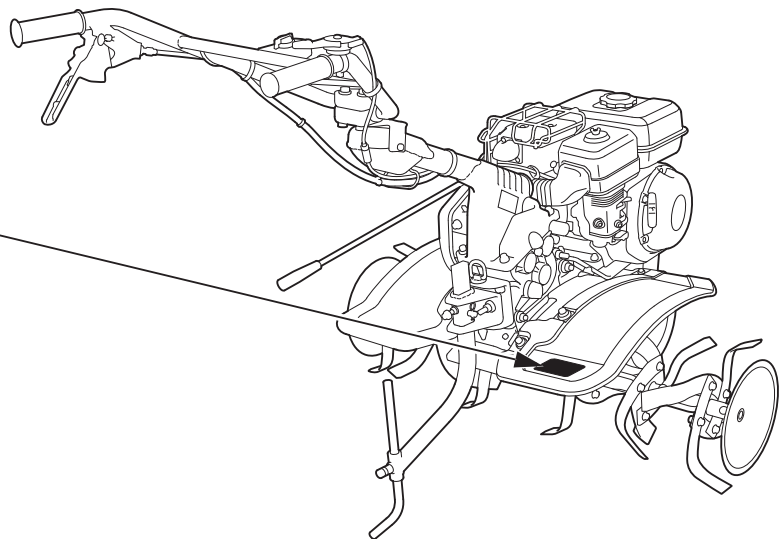
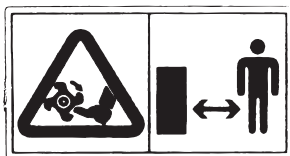
EXHAUST CAUTION



FUEL CAUTION

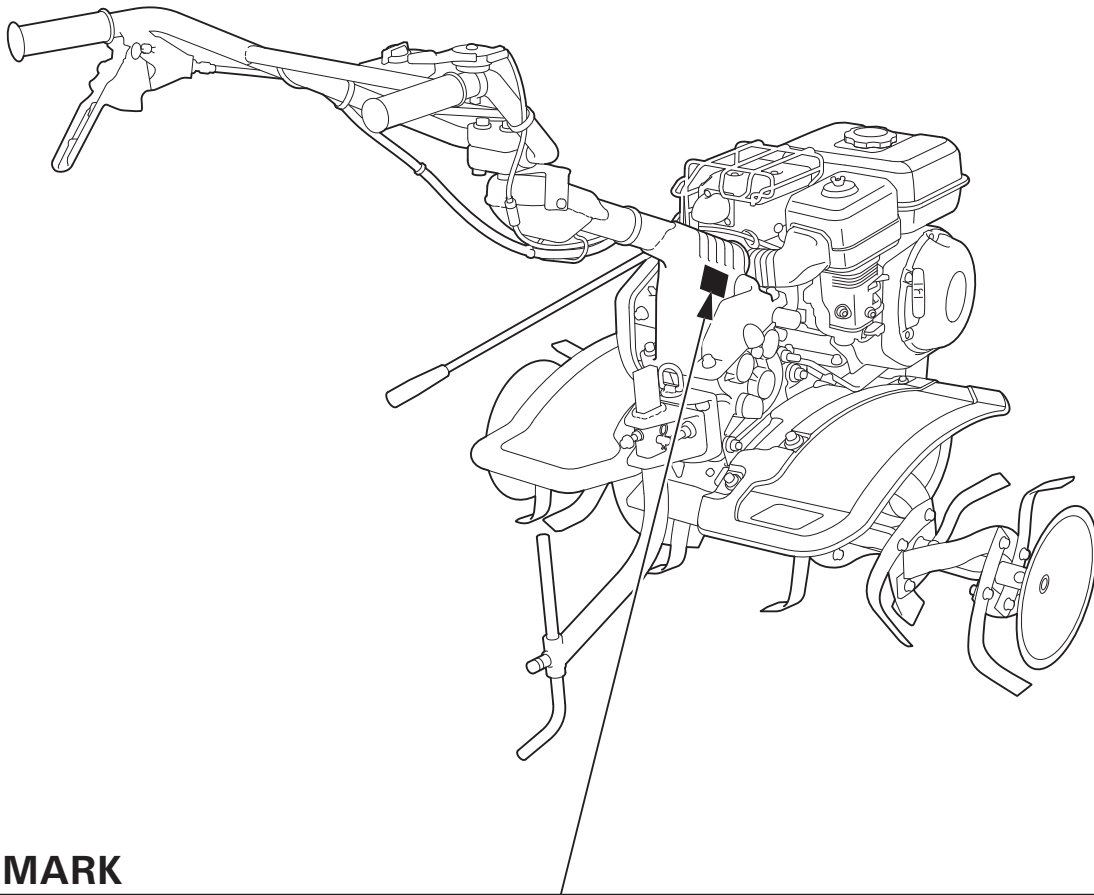


CUTTING DANGER





# CE Mark Location

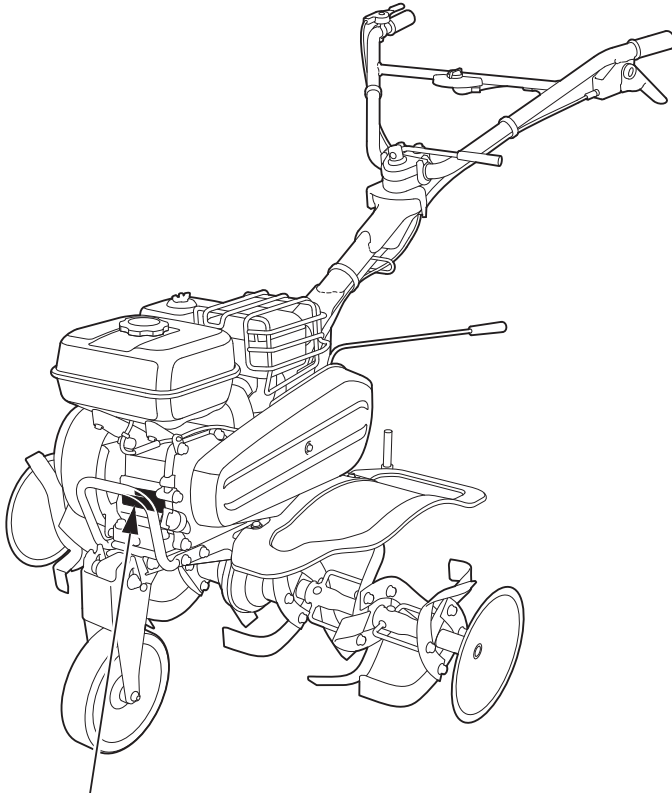


## CE MARK

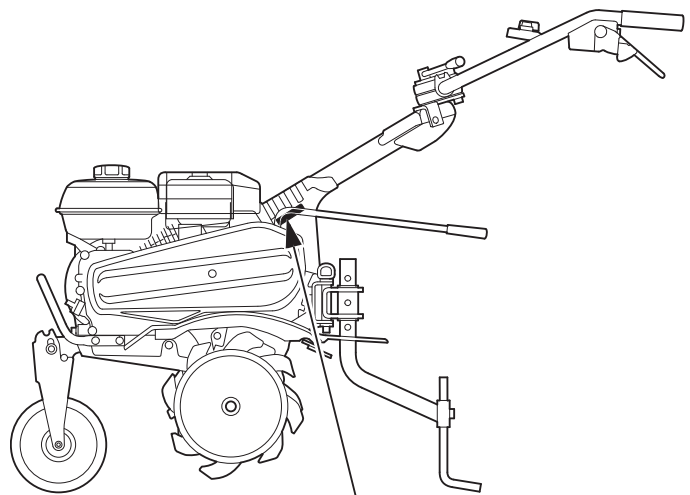
Name and address of manufacturer		Name and address of authorized representative	
Jialing-Honda Motors Co., Ltd. No.1 Guan Yue South Road. Yubei District, Chongqing, CHINA		<b>Honda Motor Europe Ltd.</b> <b>Aalst Office</b> Wijngaardveld 1 (Noord V), 9300 Aalst - BELGIUM	
			Year of manufacture
	kW Engine net power		Machine mass (standard specification)
DER type only		Description code	

---

## Serial Number Locations



**ENGINE SERIAL  
NUMBER**



**FRAME SERIAL NUMBER**

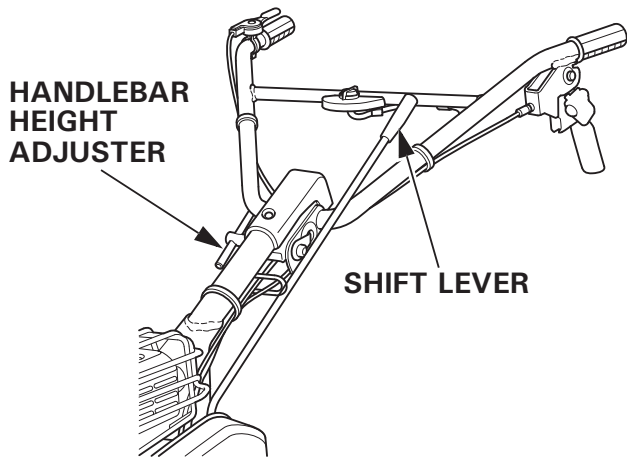
Record the frame serial number and engine serial number in the space below. You will need these numbers when ordering parts.

Frame serial number: \_\_\_\_\_

Engine serial number: \_\_\_\_\_

# 3. COMPONENT IDENTIFICATION

SE and SER types:



HANDLEBAR  
HEIGHT  
ADJUSTER

SHIFT LEVER

THROTTLE LEVER

ENGINE SWITCH

CLUTCH LEVER

HANDLEBAR FIXING LEVER

MUFFLER

FUEL TANK CAP

SHIFT LEVER

BELT COVER

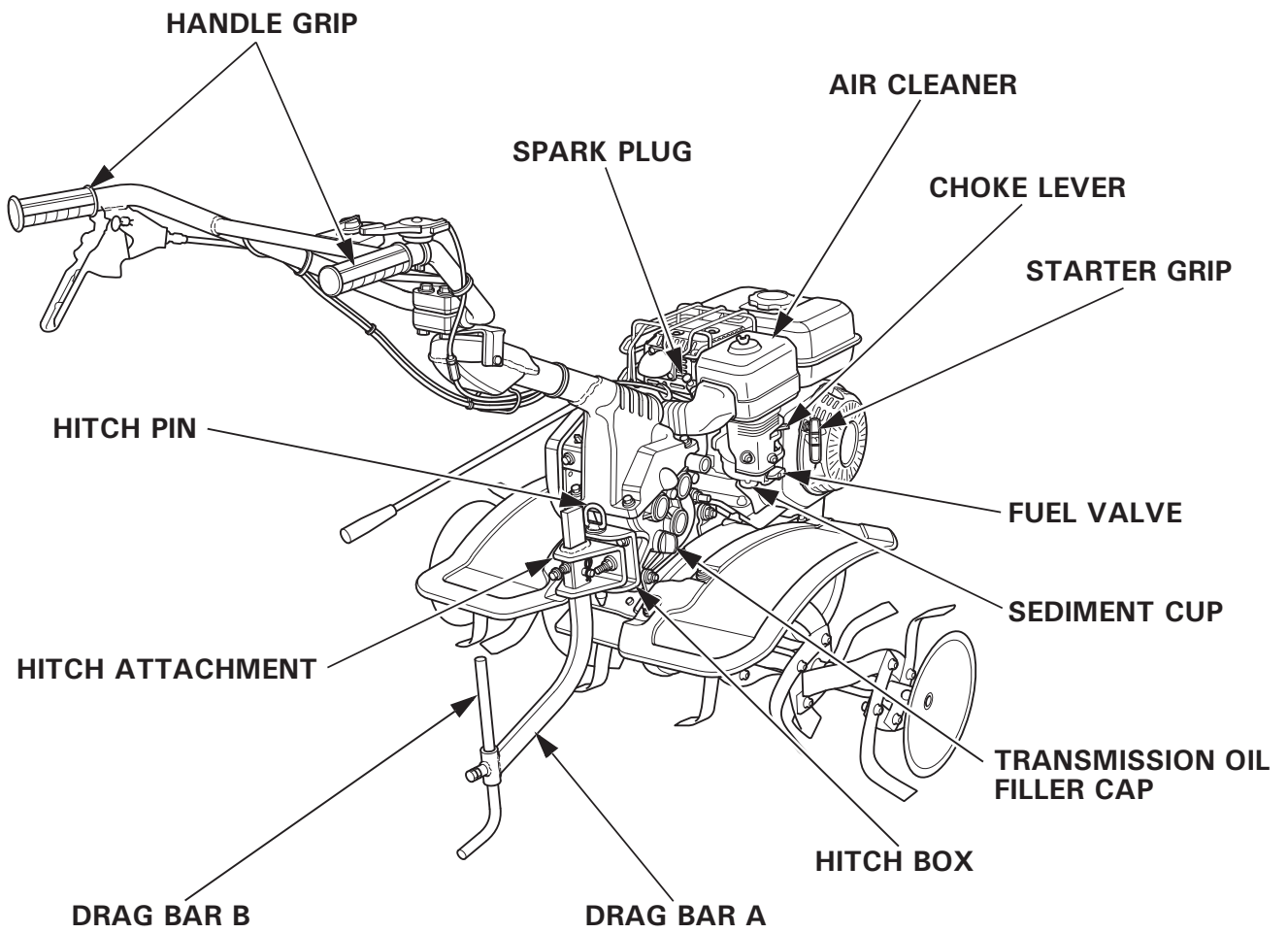
FRONT GUARD

ENGINE OIL  
DRAIN BOLT

ROTARY (SER and DER types)

FRONT WHEEL  
(DE and DER types)

ENGINE OIL FILLER CAP



## 4. PRE-OPERATION CHECK

---

### **⚠ WARNING**

Place the tiller on a firm level surface and hold the tiller level (i.e. with the rotary tines, front wheel (DE and DER types) and drag bar (see page 15)). Stop the engine before starting service of the tiller. Servicing the tiller on an unstable surface of the ground or without stopping the engine can cause injury and/or equipment damage.

Daily inspection and service of tiller is essential for safe and reliable operation. Perform the following check before operation.

#### **1. Tiller outside**

Check for fuel and engine oil leaks.

Make sure that there are no flammable materials (dust, straw, etc.) near the engine.

#### **2. Control lever function**

Check that the lever operates smoothly.

#### **3. Wiring and cables**

Check the insulation of each wire and cable for tears and cuts.

Check if there is any wire or cable pinched by the neighboring parts.

#### **4. Engine operation**

- Start the engine. Check for abnormal sounds. (See pages 23 through 25 for starting procedure.)
- Check that the engine stops securely by operating the engine switch. (See pages 37 through 39 for stopping procedure.)
- If you notice any other abnormal symptoms, consult with your authorized Honda dealer promptly.

#### **5. Bolts and nuts**

Check for looseness in fastened parts. Securely tighten all loose parts.

## 6. Engine oil

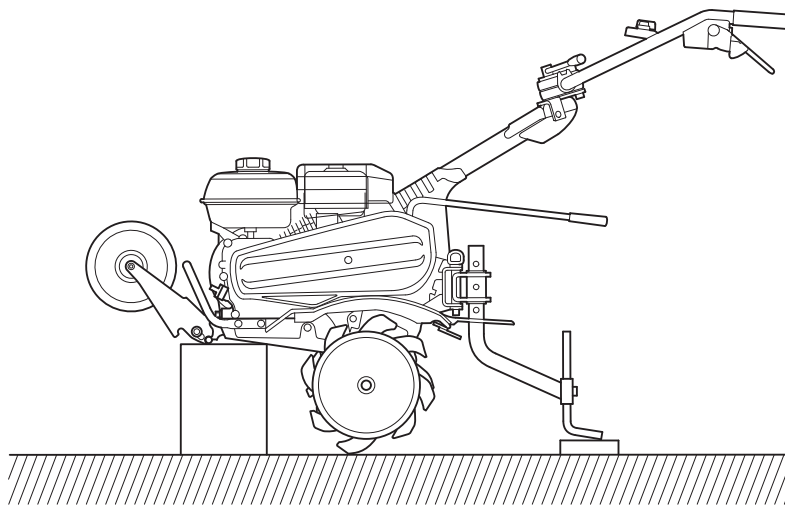
### CAUTION:

Running the engine with insufficient oil can cause serious engine damage.

#### 1. DE and DER types:

Set the front wheel to the UP position (see page 34).

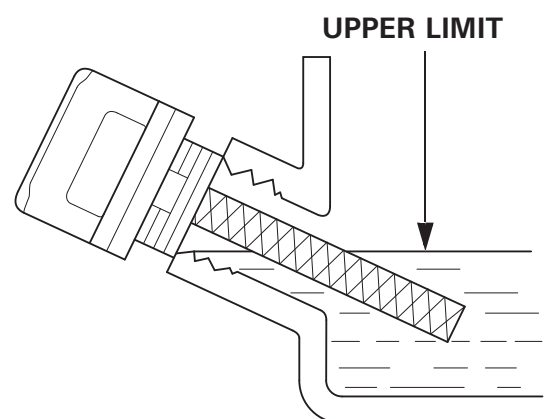
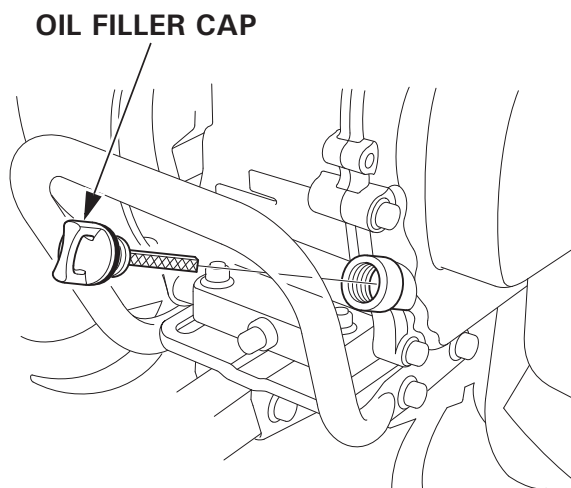
#### 2. Park on level ground, stop the engine, put proper mounting under the front frame and put wood block under the drag bar as shown, to keep the tiller horizontal.



#### 3. Remove the oil filler cap.

#### 4. Check the oil level. If it is below the upper limit, fill with the recommended oil to the upper limit (see page 16).

#### 5. Reinstall the oil filler cap securely.



---

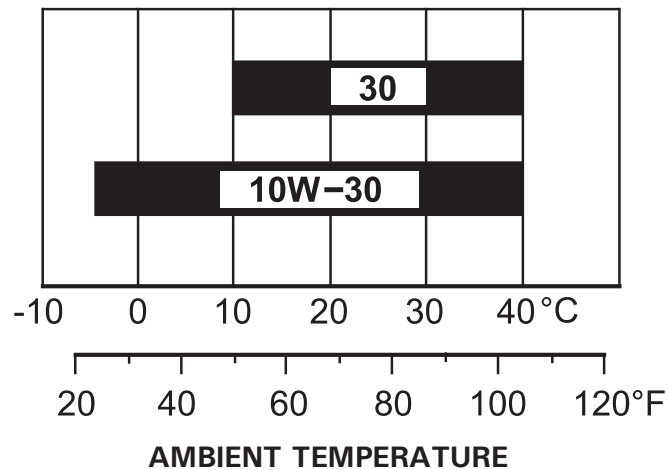
## Recommended oil

Use 4-stroke motor oil that meets or exceeds the requirements for API service category SE or later (or equivalent). Always check the API service label on the oil container to be sure it includes the letters SE or later (or equivalent).

### CAUTION:

**Using nondetergent oil or 2-stroke engine oil will shorten the engine's service life.**

SAE 10W-30 is recommended for general use. Other viscosities shown in the chart may be used when the average temperature in your area is within the indicated range.



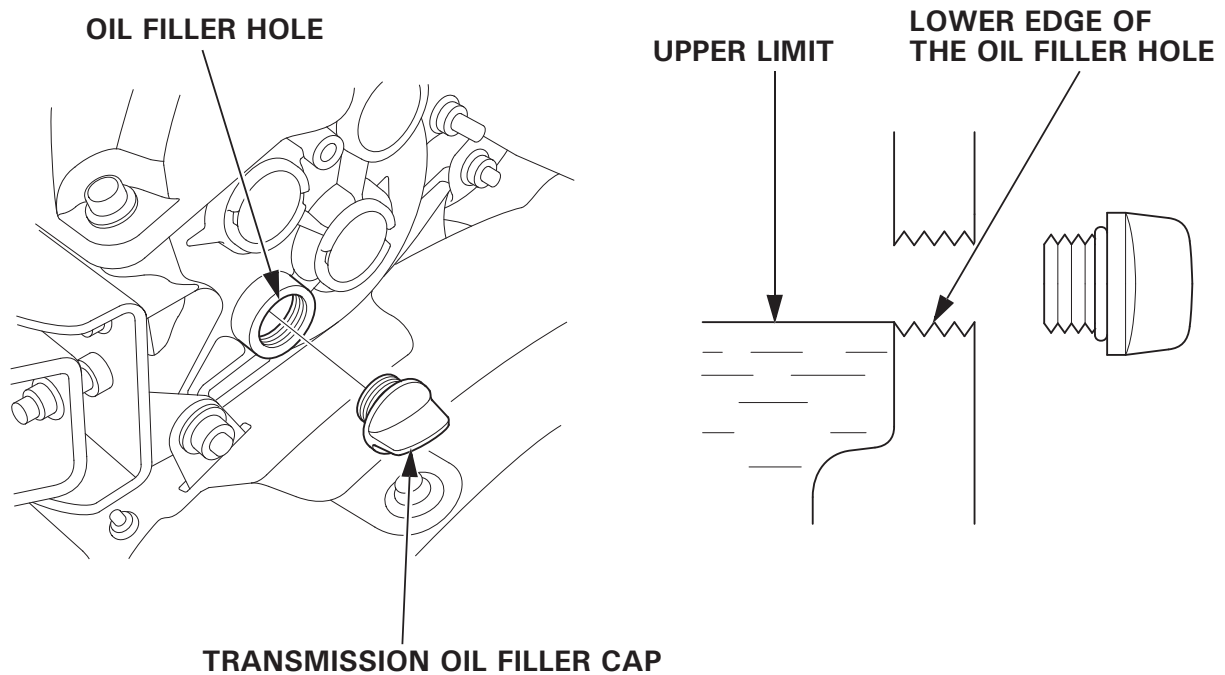
---

## 7. Transmission gear oil

Place the tiller on a level surface and remove the oil filler cap. The oil should be level with the lower edge of the oil filler hole. Add recommended oil if the level is low.

### Recommended oil

Use 10W-30 4-stroke motor oil that meets or exceeds the requirements for API service classification SE or later (or equivalent). Always check the API service label on the oil container to be sure it includes the letters SE or later (or equivalent).





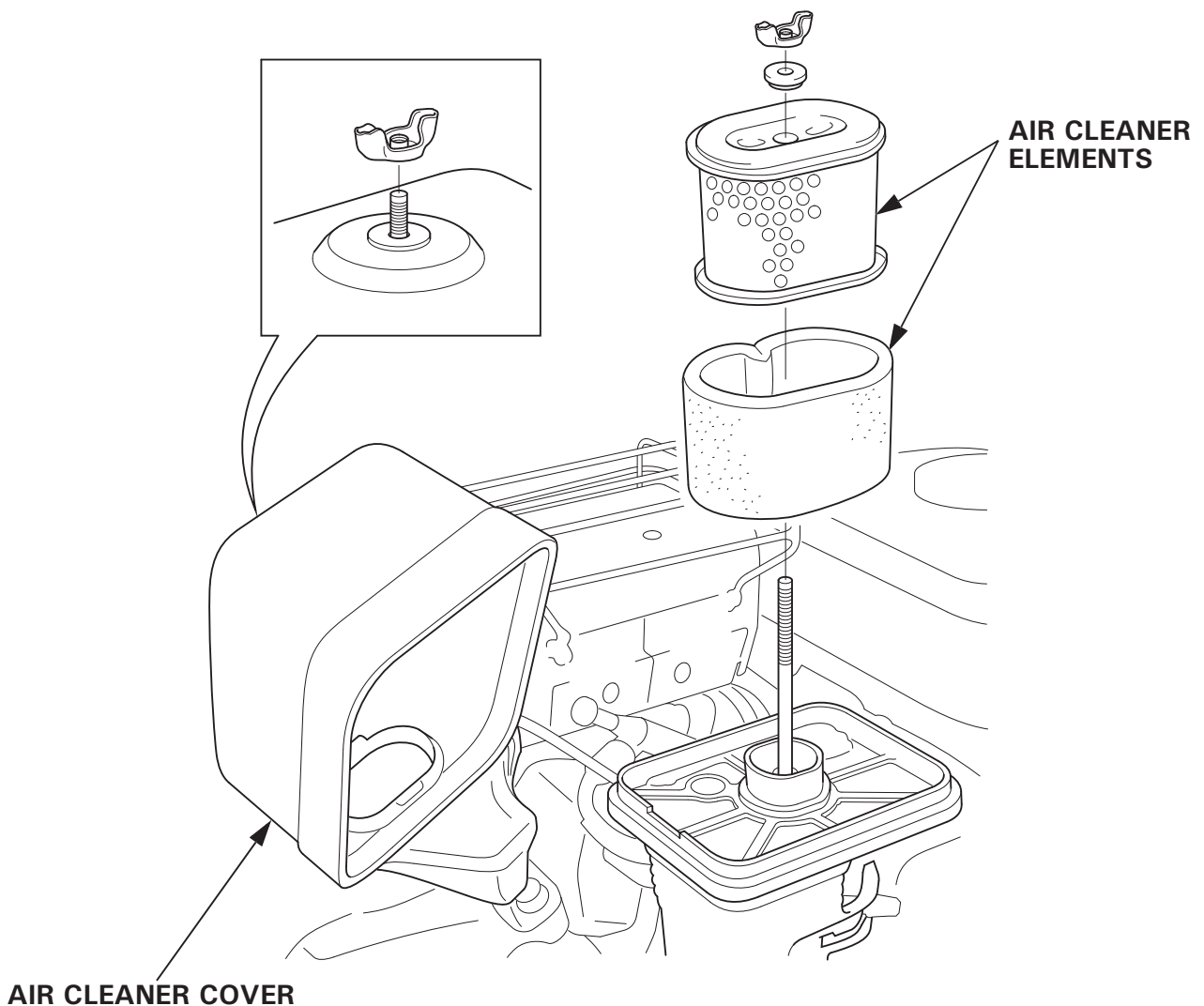
## 8. Air cleaner

### CAUTION:

Never run the engine without the air cleaner. Rapid engine wear will result.

Remove the air cleaner cover.

Check the air cleaner elements for dirt or obstruction. Clean if necessary (see page 43).



## 9. Fuel

Check the fuel level, and refill the tank if the fuel level is low.

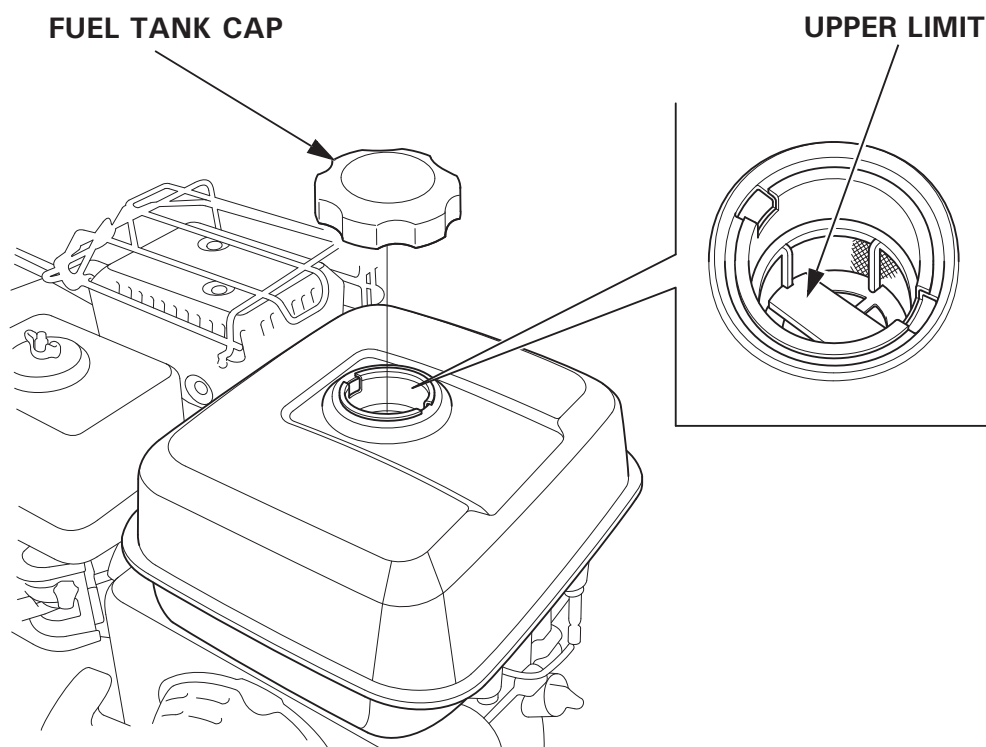
Use unleaded gasoline with a Research Octane Number of 91 or higher (a Pump Octane Number of 86 or higher).

Never use stale or contaminated gasoline or an oil/gasoline mixture.

Avoid getting dirt or water in the fuel tank.

### **▲ WARNING**

- Gasoline is extremely flammable and is explosive under certain conditions.
- Refuel in a well-ventilated area with the engine stopped. Do not smoke or allow flames or sparks in the area where the engine is refueled or where gasoline is stored.
- Do not overfill the fuel tank (there should be no fuel in the filler neck). After refueling, make sure the tank cap is closed properly and securely.
- Be careful not to spill fuel when refueling. Spilled fuel or fuel vapor may ignite. If any fuel is spilled, make sure the area is dry before starting the engine.
- Avoid repeated or prolonged contact with skin or breathing of vapor. **KEEP OUT OF REACH OF CHILDREN.**



---

**NOTE:**

Gasoline spoils very quickly depending on factors such as light exposure, temperature and time.

In worst cases, gasoline can be contaminated within 30 days.

Using contaminated gasoline can seriously damage the engine (carburetor clogged, valve stuck).

Such damage due to spoiled fuel is disallowed from coverage by the warranty.

To avoid this please strictly follow these recommendations:

- Only use specified gasoline (see page 19).
- Use fresh and clean gasoline.
- To slow deterioration, keep gasoline in a certified fuel container.
- If long storage (more than 30 days) is foreseen, drain fuel tank and carburetor (see page 61).

### **Gasolines containing alcohol**

If you decide to use a gasoline containing alcohol (gasohol), be sure its octane rating is at least as high as that recommended by Honda.

There are two types of "gasohol": one containing ethanol, and the other containing methanol.

Do not use gasohol that contains more than 10% ethanol.

Do not use gasoline containing more than 5% methanol (methyl or wood alcohol) and that does not also contain co-solvents and corrosion inhibitors for methanol.

**NOTE:**

- Fuel system damage or engine performance problems resulting from the use of gasoline that contains more alcohol than recommended is not covered under the warranty.
- Before buying gasoline from an unfamiliar station, first determine if the gasoline contains alcohol, if it does, find out the type and percentage of alcohol used.

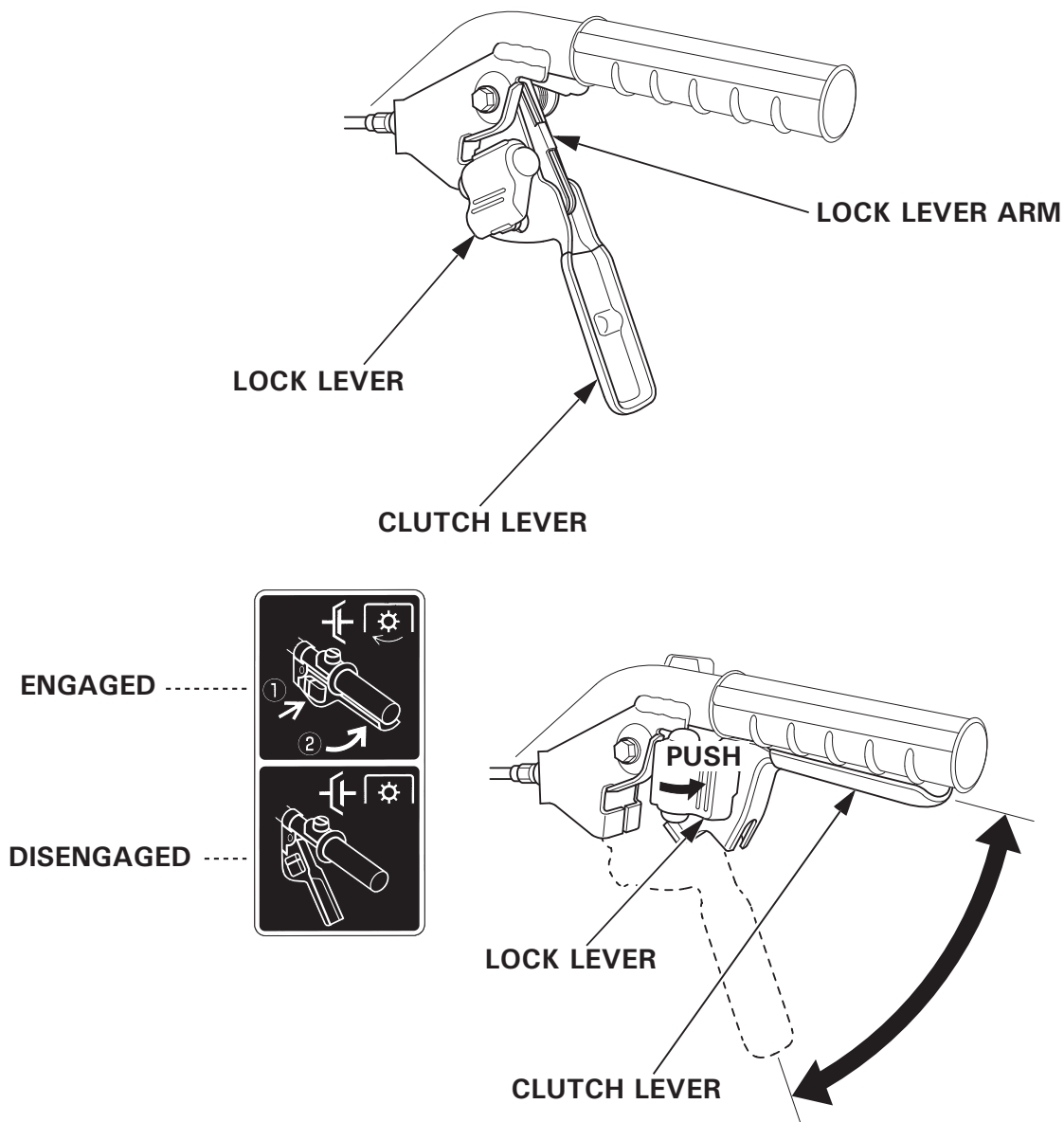
If you notice any undesirable operating symptoms while using a particular gasoline. Switch to a gasoline that you know contains less than the recommended amount of alcohol.

## 10. Clutch lever

Before the operation check, make sure that there are no foreign objects (such as sand, soil, twigs, etc.) caught around the clutch lever, lock lever and/or lock lever arm.

Check that the lock lever and the clutch lever operate smoothly by pushing the lock lever, and squeezing the clutch lever.

If the lock lever and clutch lever do not operate smoothly, or the clutch engages by squeezing the clutch lever without pushing the lock lever, disassemble and clean the clutch lever (see page 50).



---

## **11.Tools and Attachments**

To install a tool or attachment on the tiller, follow the instructions furnished with the tool or attachment. Ask your Honda dealer for advice if you encounter any problem or difficulty in installing a tool or attachment.

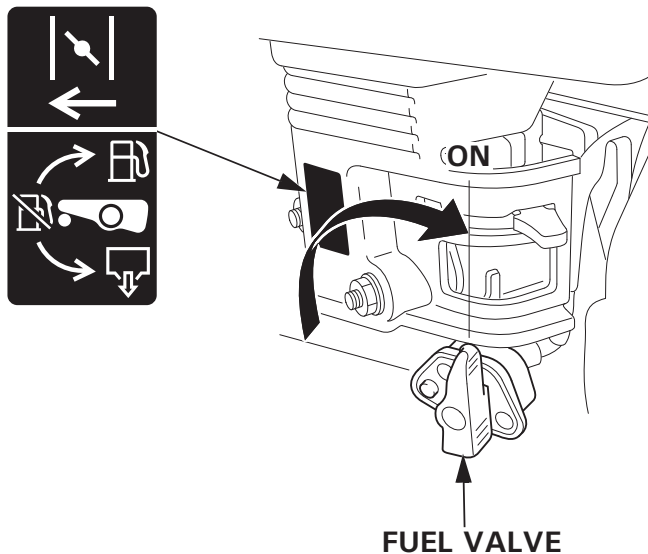
## 5. STARTING THE ENGINE

### CAUTION:

Be sure the clutch is disengaged and the shift lever is in the neutral position to prevent sudden uncontrolled movement when the engine starts.

The clutch is engaged by pulling in the clutch lever and disengaged by releasing the lever.

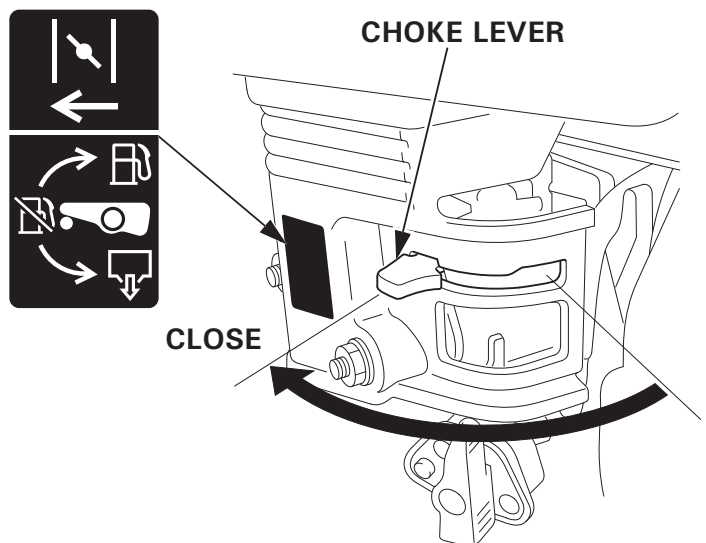
1. Turn the fuel valve to the ON position.



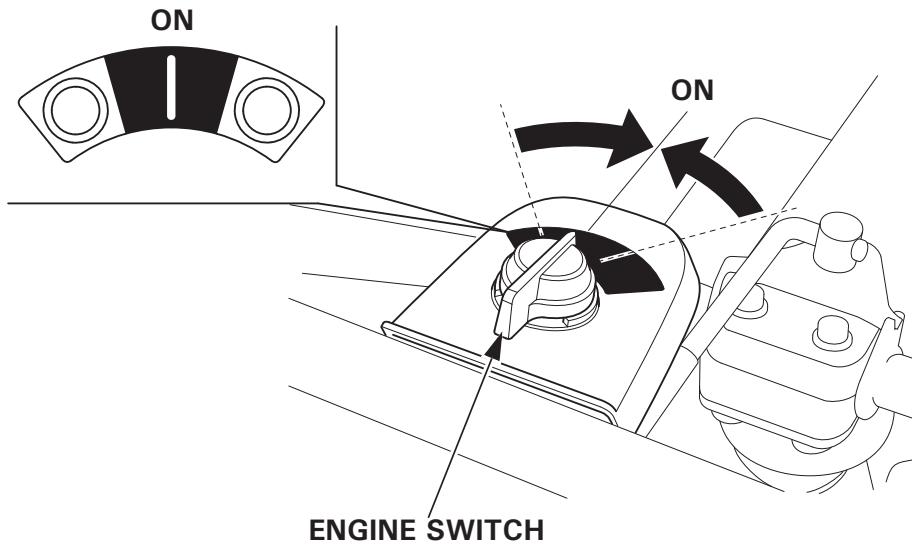
2. In cold weather and when the engine is cold, move the choke lever to the CLOSE position.

### NOTE:

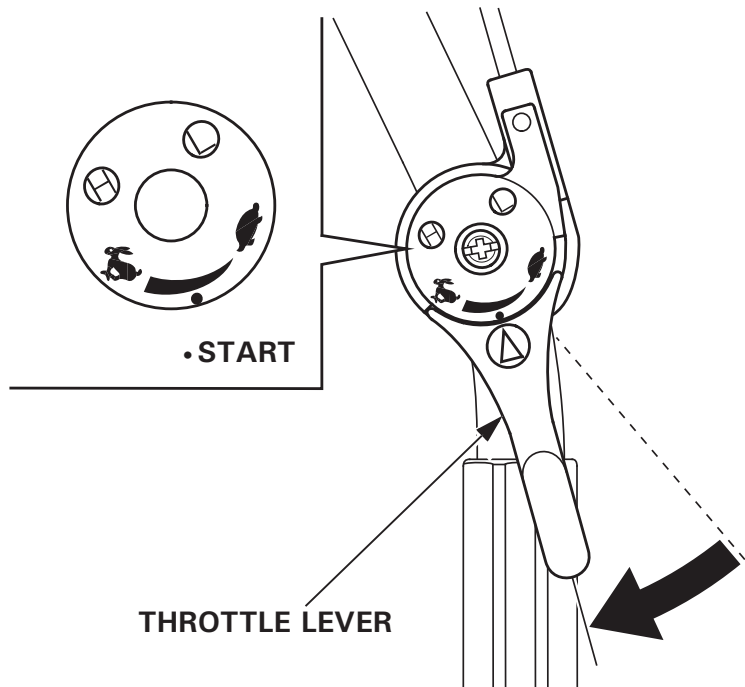
Do not use the choke if the engine is warm or the air temperature is high.



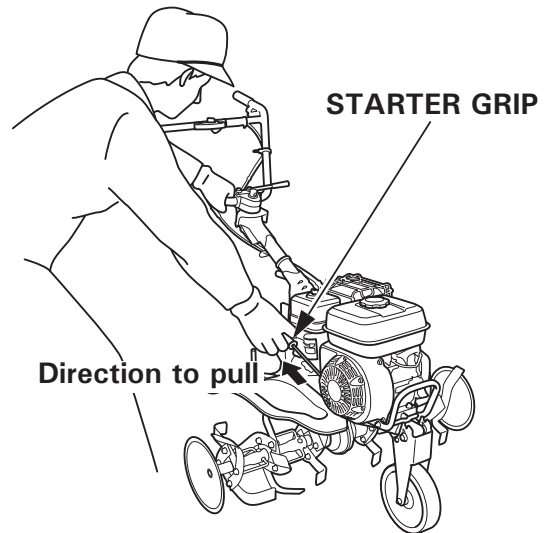
3. Turn the engine switch to the ON position.



4. Align the mark "  $\triangle$  " on the throttle lever with the mark "  $\bullet$  " (START position) as shown.



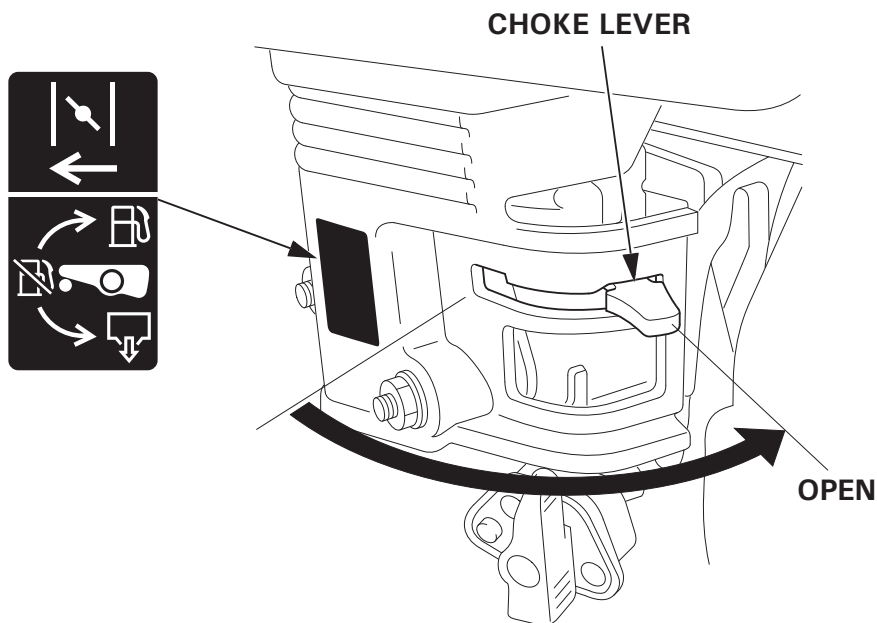
- 
5. Pull the starter grip lightly until resistance is felt, then return the starter grip once. Hold the handlebar with your left hand and pull the starter grip briskly in the direction of the arrow as shown.



**CAUTION:**

**Do not allow the starter grip to snap back against the engine. Return it gently to prevent damage to the starter.**

6. Let the engine warm up for several minutes. If the choke has been moved to the CLOSE position, move it gradually to the OPEN position as the engine warms up.





---

## **Carburetor Modification for High Altitude Operation**

At high altitude, the standard carburetor air-fuel mixture will be too rich. Performance will decrease, and fuel consumption will increase. A very rich mixture will also foul the spark plug and cause hard starting.

Operation at an altitude that differs from that at which this engine was certified, for extended periods of time, may increase emissions.

High altitude performance can be improved by specific modifications to the carburetor. If you always operate your tiller at altitudes above 1,500 meters (5,000 feet), have your servicing dealer perform this carburetor modification. This engine, when operated at high altitude with the carburetor modifications for high altitude use, will meet each emission standard throughout its useful life.

Even with carburetor modification, engine horsepower will decrease about 3.5% for each 300-meter (1,000-foot) increase in altitude. The effect of altitude on horsepower will be greater than this if no carburetor modification is made.

### **CAUTION:**

**When the carburetor has been modified for high altitude operation, the air-fuel mixture will be too lean for low altitude use. Operation at altitudes below 1,500 meters (5,000 feet) with a modified carburetor may cause the engine to overheat and result in serious engine damage. For use at low altitudes, have your servicing dealer return the carburetor to original factory specification.**

## 6. TILLER OPERATION

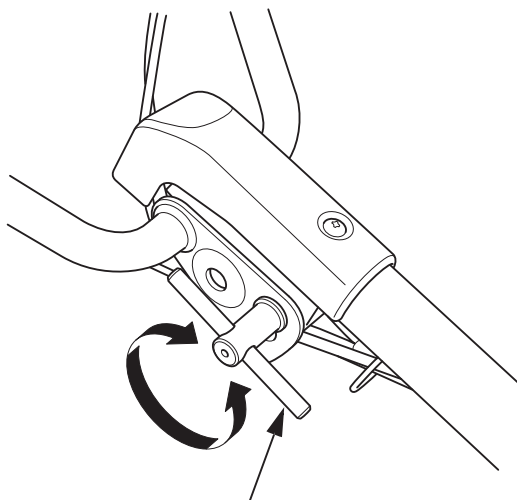
### 1. Handlebar height adjustment

#### CAUTION:

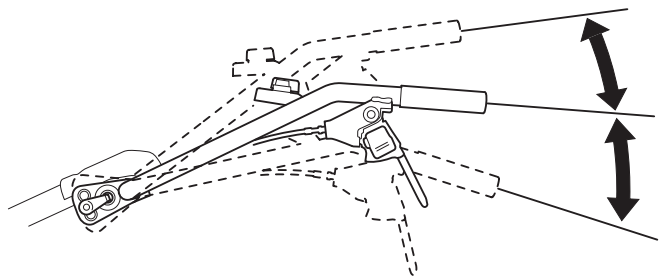
Before adjusting the handlebar, place the tiller on the firm level ground to prevent the handle from collapsing accidentally.

SE and SER types:

To adjust the handlebar height, loosen the handlebar height adjuster, select the appropriate hole and tighten it.



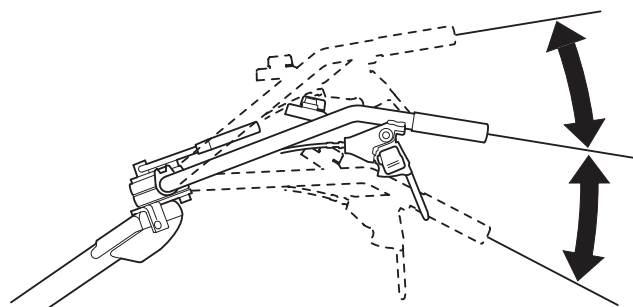
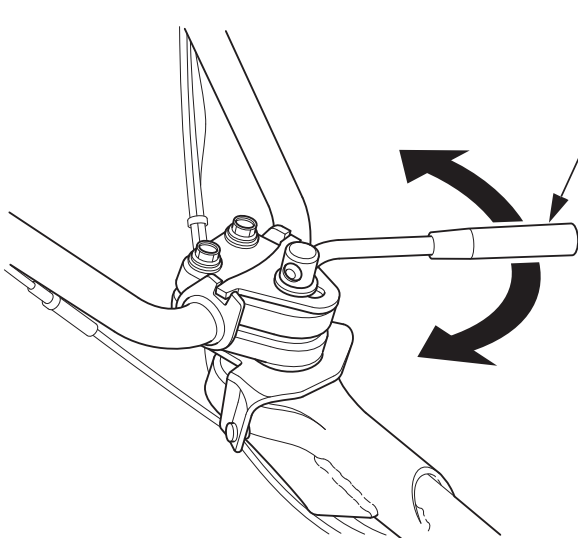
HANDLEBAR HEIGHT ADJUSTER



DE and DER types:

To adjust the handlebar height, loosen the handlebar fixing lever, move the handlebar to a desired position and tighten the lever.

HANDLEBAR FIXING LEVER

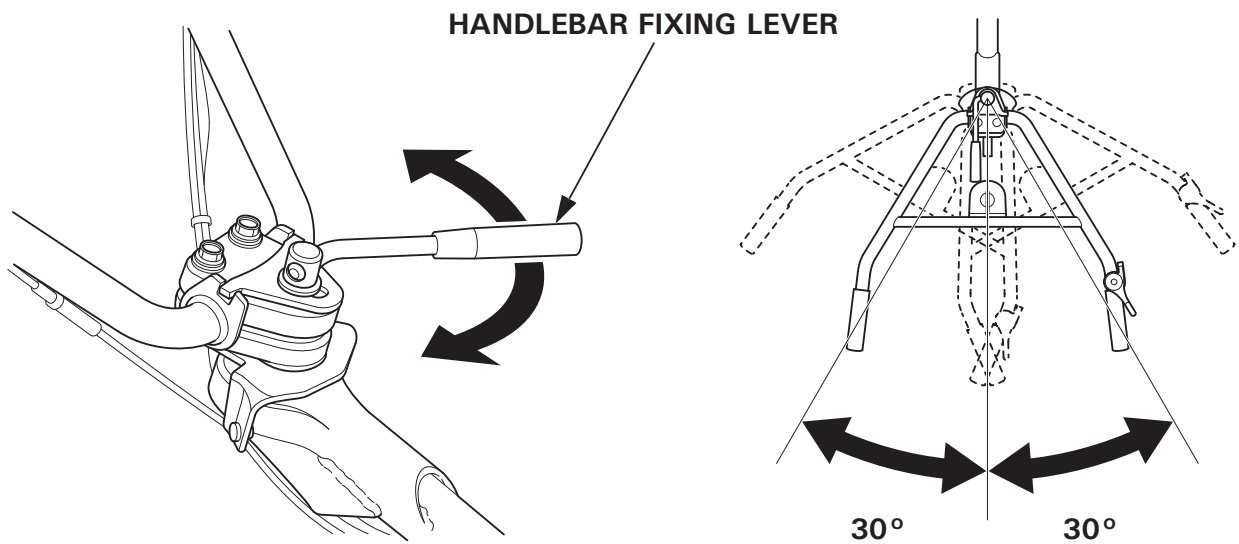


---

## 2. Handlebar angle adjustment

DE and DER types:

If the handlebar angle adjustment is needed, loosen the handlebar fixing lever, move the handlebar to a required position and tighten the lever. The handlebar can swing within the sweep of  $30^{\circ}$  from the center to the right and left each.





## 4. Clutch operation

The clutch engages and disengages the power from the engine to the transmission.

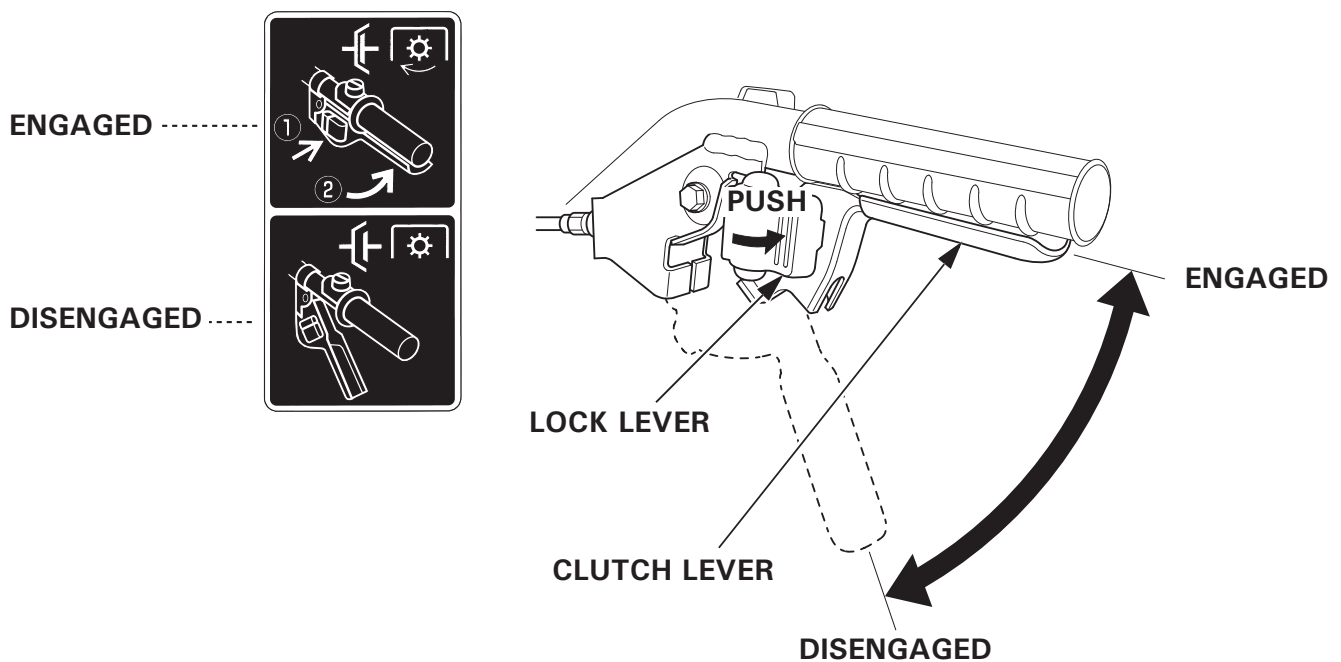
**CAUTION:**  
Reduce engine rpm before operating clutch operation.

Engage:

1. Push and hold the lock lever.
2. Squeeze the clutch lever.
3. The clutch is engaged, release the lock lever.

Disengage:

Release the clutch lever.



## 5. Gear selection

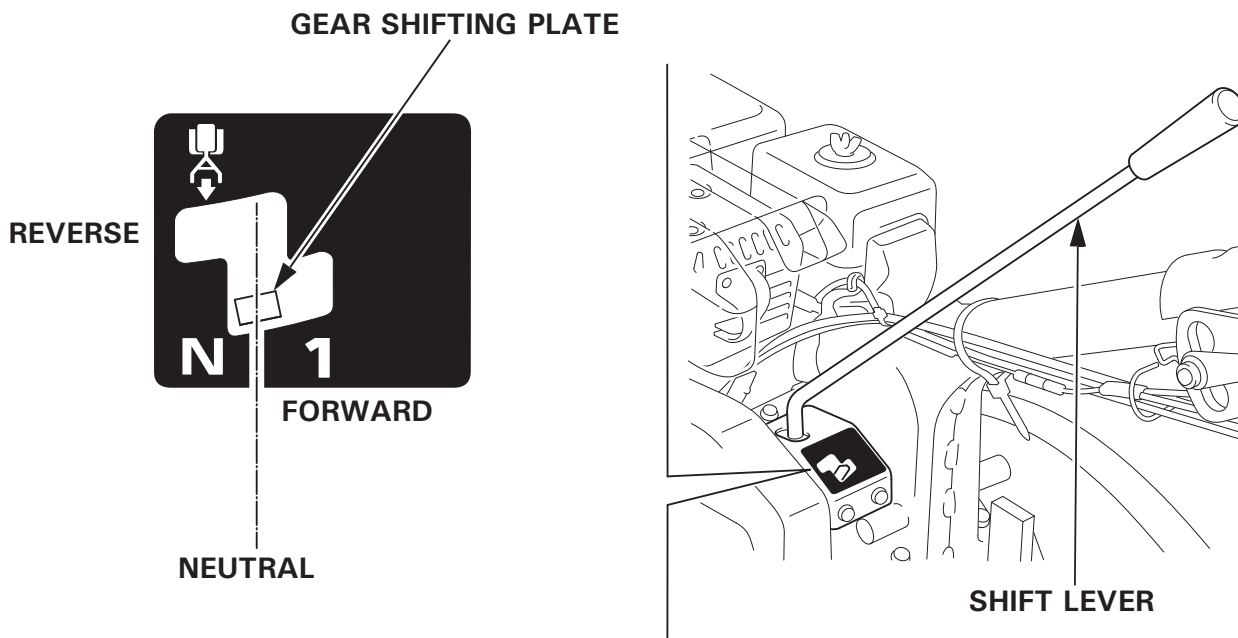
### CAUTION:

Return the throttle lever to the Low position and disengage the clutch before moving the shift lever. Avoid using excessive force on the shift lever.

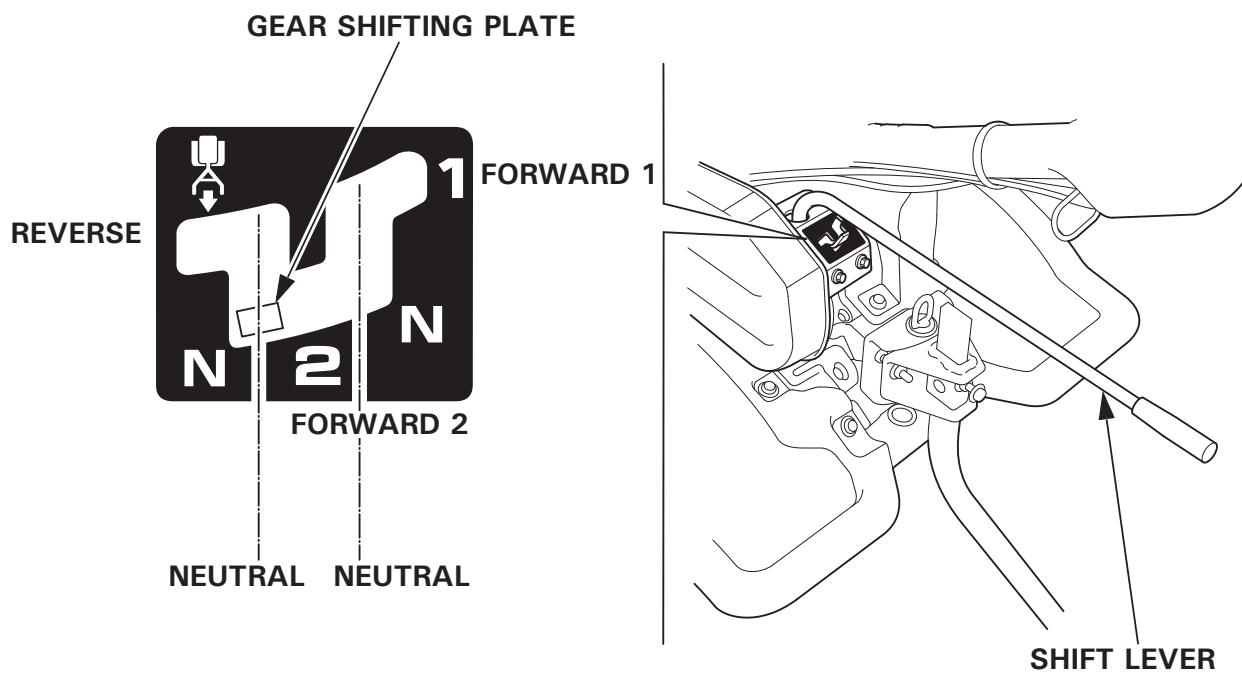
Select a gear position in accordance with the contents of the Gear Selection Table.

- Always operate the shift lever after the clutch has been disengaged.
- If the shift lever is difficult to operate, squeeze the clutch once and then disengage the clutch and operate the shift lever again.
- In reverse operation, be especially careful of your feet and observe the following precautions:
  1. Make sure there are no people or obstacles behind you.
  2. Lower the engine speed.
  3. Hold the handlebar with both hands and support it firmly.
  4. Gently engage the clutch and make sure that it can be disengaged at any time.

SE and SER types:



DE and DER types:



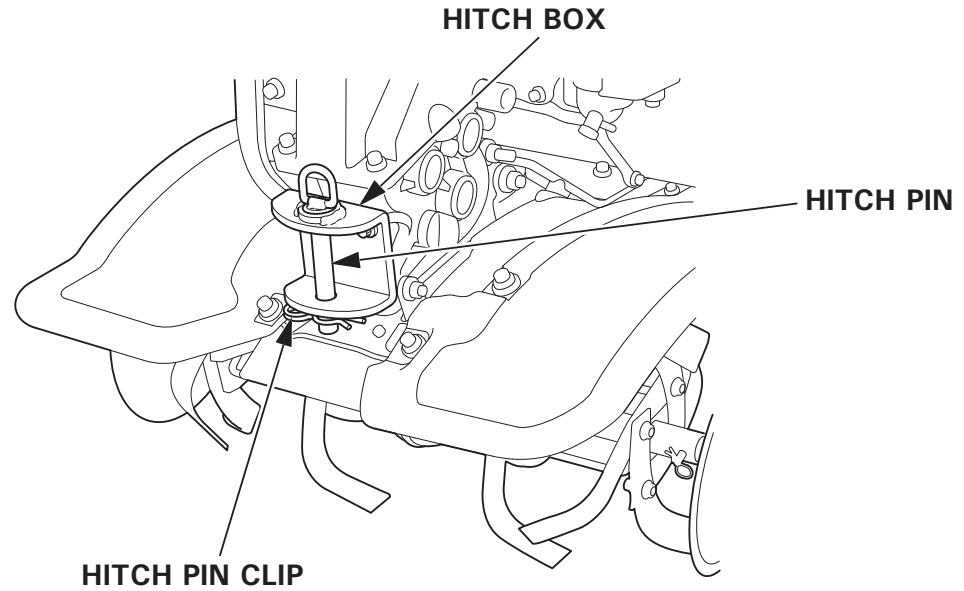
Gear Selection Table (When engine speed is 3,600 rpm)

Gear position	Speed of rotary part		Suitable work
	SE, SER	DE, DER	
1	112.9 rpm	79.5 rpm	Moving tiller, loading tiller onto a truck, taking tiller on or off filed.
2		112.9 rpm	Moving tiller, loading tiller onto a truck, taking tiller on or off filed.
Reverse gear	28.0 rpm	28.0 rpm	Moving tiller

---

## 6. Use of the hitch box

Install the hitch attachment in the hitch box with a hitch pin. (Hitch pin clip snaps into relief in hitch pin to retain pin.)

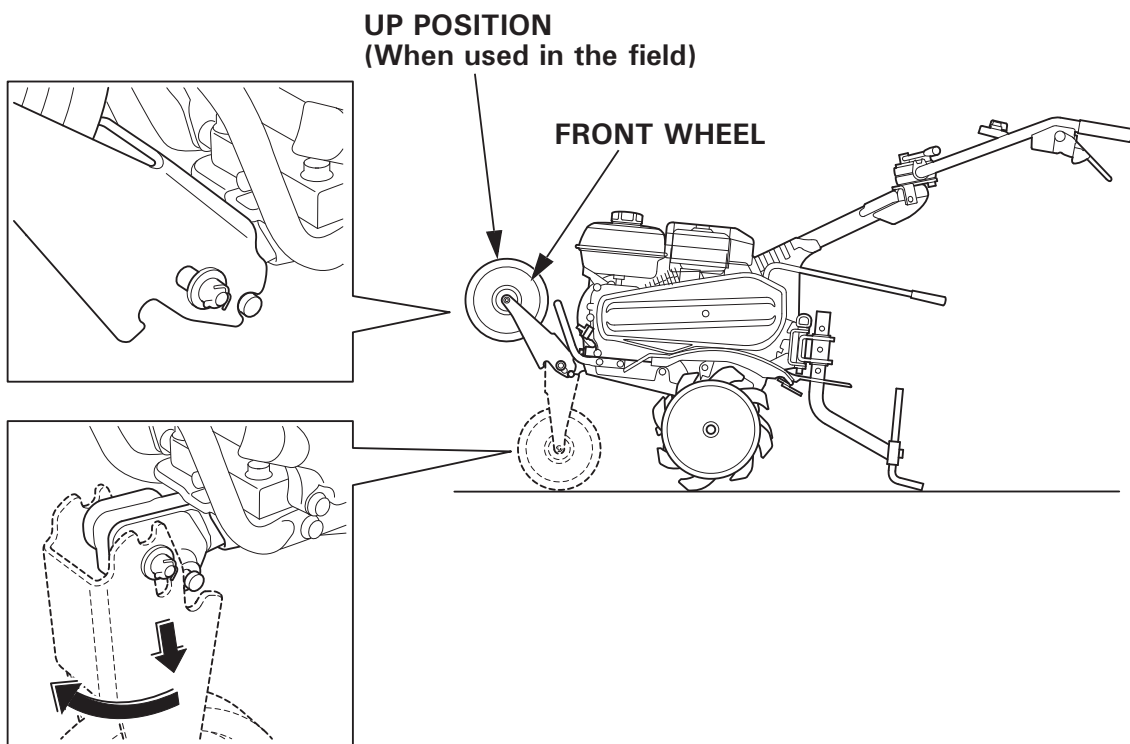
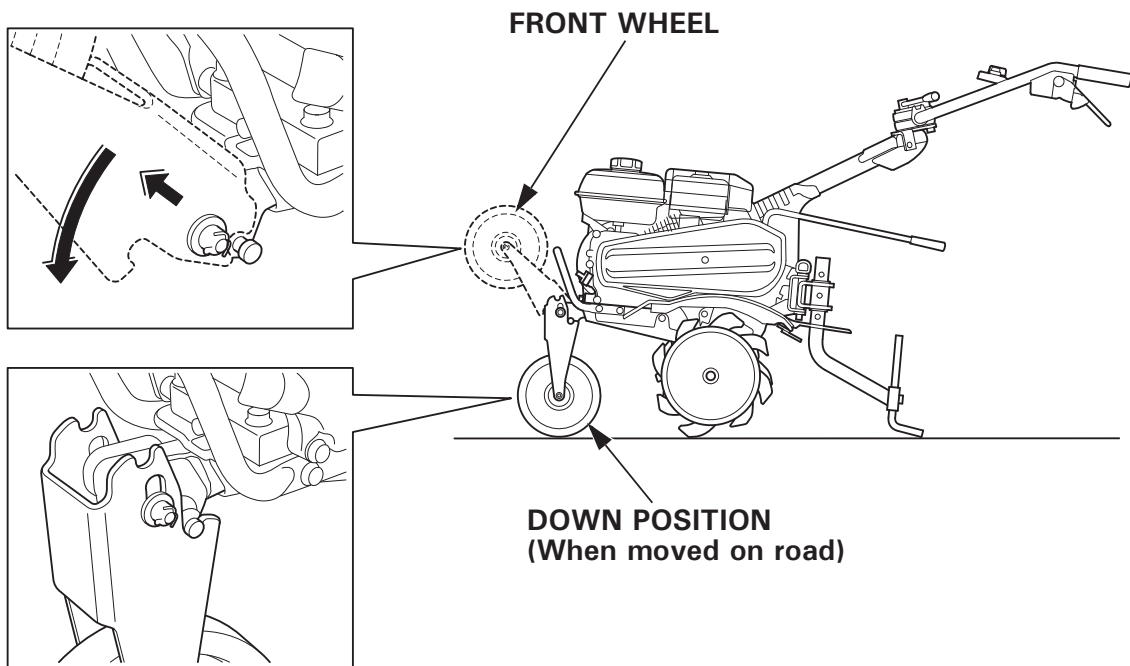




## 7. Front wheel (DE and DER types)

After getting to the tiller site, move the front wheel to the raised position before tilling. Always stop the engine before lowering or raising the wheel.

To raise or lower the wheel, pull out the wheel assembly, move the wheel, then release the wheel assembly.



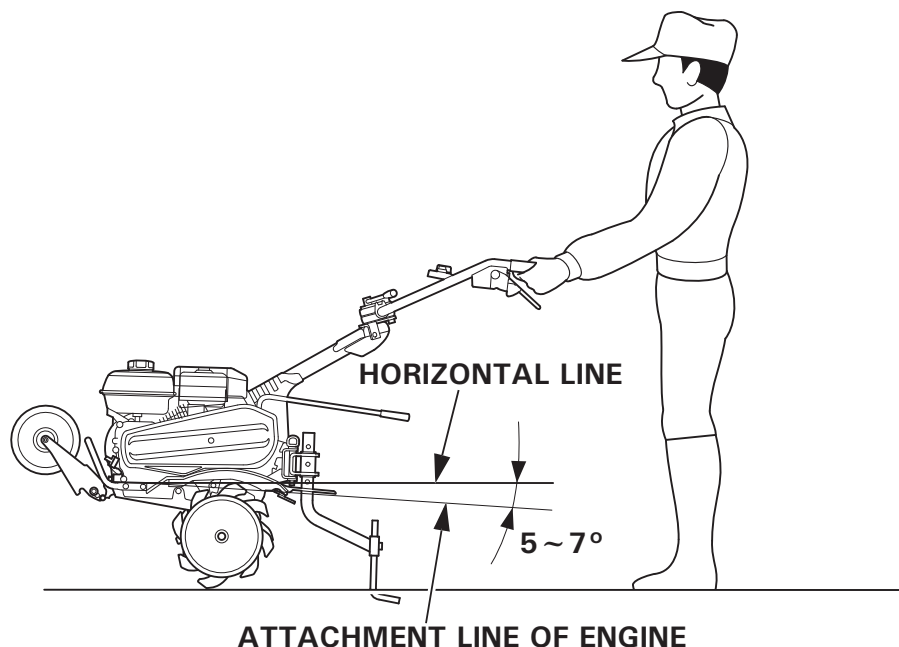
---

## 8. Handling tips

- If the tiller tends to move forward rapidly, push down on the handlebars to allow the drag bar to penetrate the soil and slow the forward motion on the tiller. Continue to press down until the tiller tines have dug to a desired depth that allows easy tiller handling.
- If the tines dig in but the tiller will not move forward, ease up on the handlebars and move the handlebars from side-to-side. If the tiller still digs in but will not move forward, raise the drag bar up a hole.
- When turning, push down on the handlebars to bring the tiller's weight to the rear; this will make turning easier.

## 9. Normal operating angle

Lower the handle slightly so the front of the machine is raised about  $5 \sim 7^\circ$ .



To get the maximum advantage from the tiller, try to hold the machine at the angle shown while you are tilling the ground:

### CAUTION:

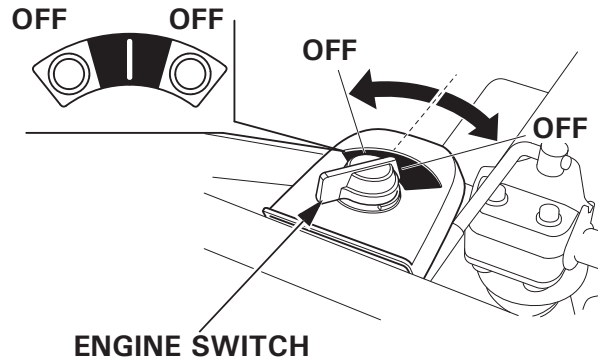
- Do not use the tiller with a rotor whose diameter is in excess of 325 mm (12.8 in).
- Operating the tiller on grades could cause the tiller to tip over.
- Allowing any one to operate this tiller without proper instruction may result in injury.
- Wear sturdy, full coverage footgear. Operating this tiller with bare feet, or with open toe shoes or sandals increases your risk of injury.
- Do not use the tiller in the night.
- When the rotor is clogged with mud, pebbles etc., immediately stop the engine and clean the rotor in a safe place. Be sure to wear heavy gloves when cleaning the rotor.

To prevent damage, check the tiller for any signs of damage or other faults each time the tiller is used after it has been operated last.

# 7. STOPPING THE ENGINE

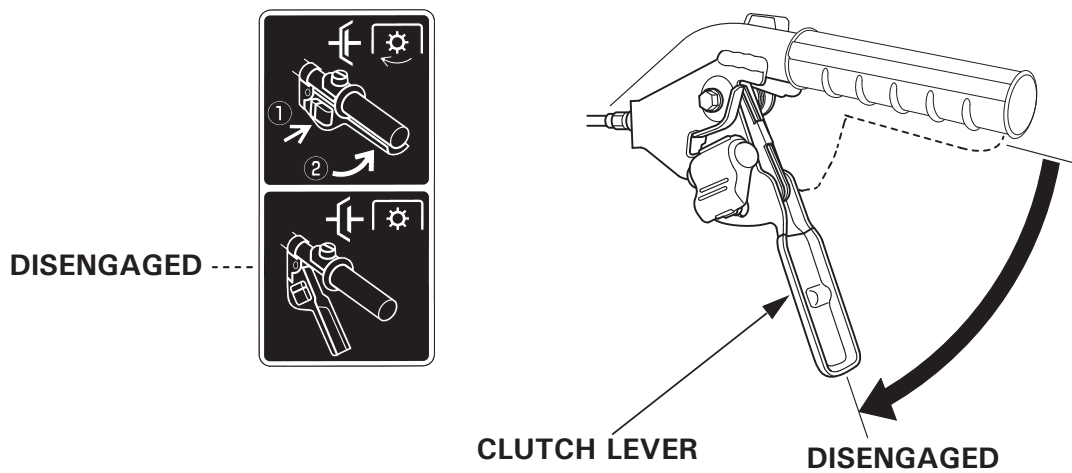
In an emergency:

- Turn the engine switch to the OFF position.

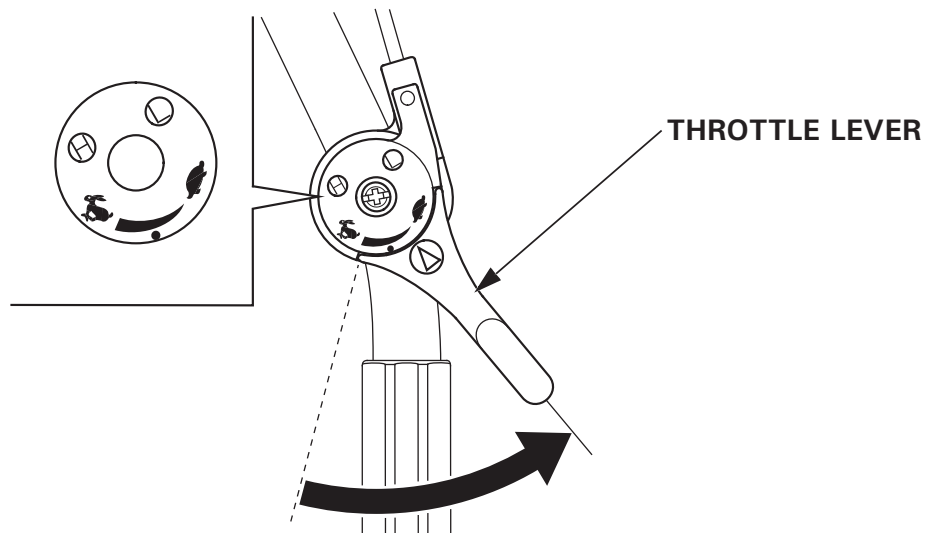


In normal use:

1. Release the clutch lever to the DISENGAGED position.

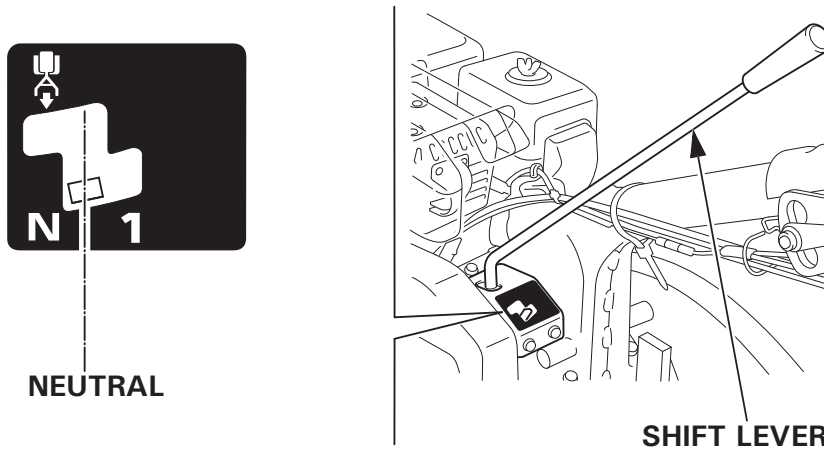


2. Move the throttle lever fully to the right.

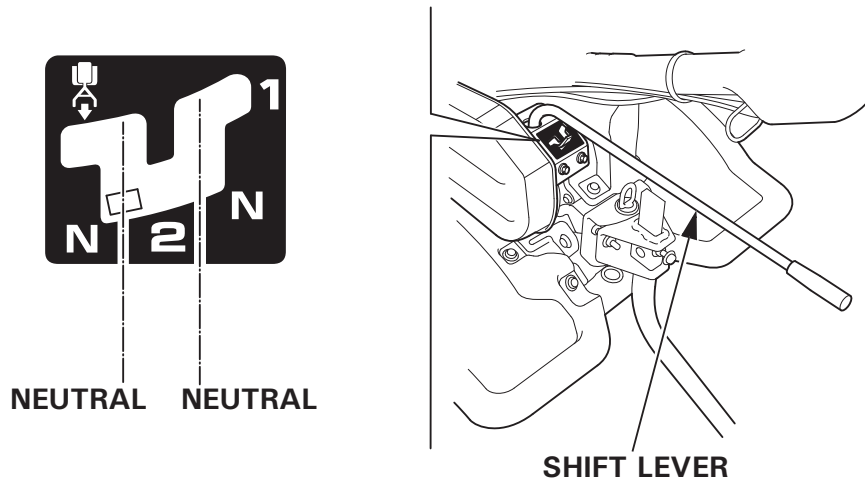


3. Set the shift lever in the NEUTRAL position.

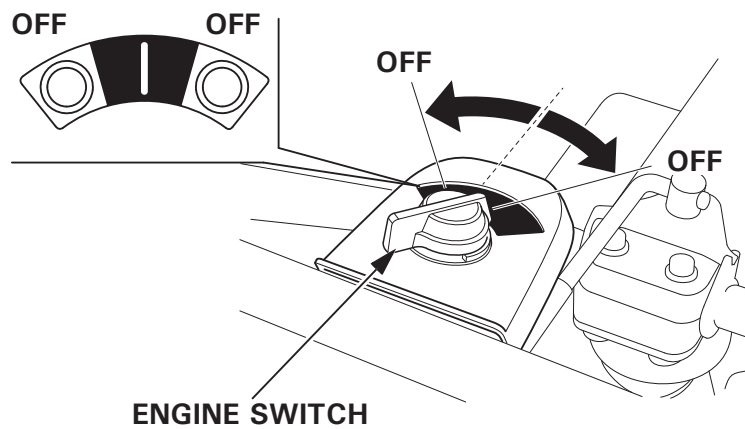
SE and SER types:



DE and DER types:

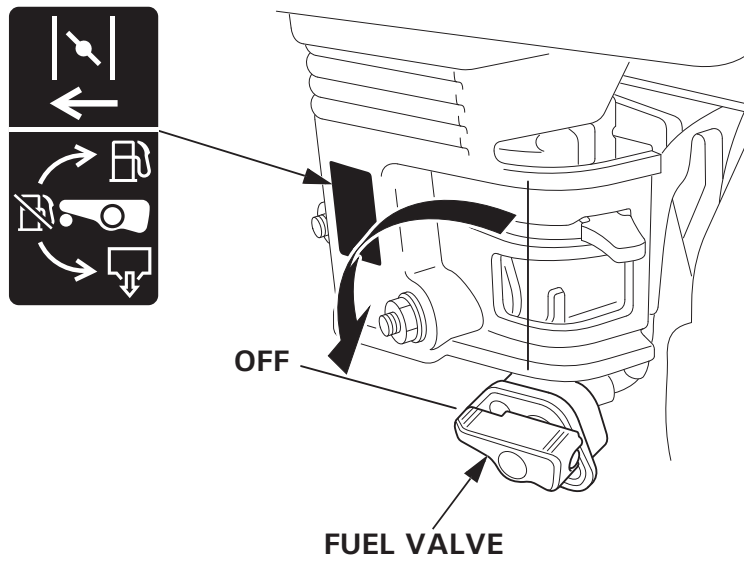


4. Turn the engine switch to the OFF position.



---

5. Turn the fuel valve to the OFF position.



# 8. MAINTENANCE

The purpose of the maintenance schedule is to keep the tiller in the best operating condition. Inspect or service as scheduled in the table below.

## ▲WARNING

**Shut off the engine before performing any maintenance. Exhaust contains poisonous carbon monoxide gas; Exposures cause loss of consciousness and may lead to death. If the engine must be run, make sure the area is well ventilated.**

## CAUTION:

**Use only genuine Honda parts or their equivalent for maintenance or repair. Replacement parts which are not of equivalent quality may damage the tiller.**

## Maintenance schedule

REGULAR SERVICE PERIOD (1) Perform at every indicated month or operating hour interval, whichever comes first.		After storage	Each use	First month or 20 hrs	Every 3 months or 50 hrs	Every 6 months or 100 hrs	Every year or 300 hrs
ITEM							
Engine oil	Check level		o				
	Change	o		o		o	
Transmission oil	Check level	o		o			o
Air cleaner	Check		o				
	Clean				o (2)		
	Replace						o
Tiller outside	Check		o				
Throttle lever function	Check		o				
Clutch lever function	Check		o				
Bolts and Nuts tightens	Check		o				
Wiring and cables	Check		o				

(1) For commercial use, log hours of operation to determine proper maintenance intervals.

(2) Service every 10 operation hours or every day when used in dusty areas.

REGULAR SERVICE PERIOD (1) Perform at every indicated month or operating hour interval, whichever comes first.		After storage	Each use	First month or 20 hrs	Every 3 months or 50 hrs	Every 6 months or 100 hrs	Every year or 300 hrs
ITEM							
Engine Operation	Check		o				
Sediment cup	Clean					o	
Spark plug	Check-adjust					o	
	Replace						o
Grease application	Grease lubricate	o (3)					
Belt tension	Check-adjust			o (3) (4)		o (3) (4)	
Throttle cable	Check-adjust						o
Clutch cable	Check-adjust			o (3)		o (3)	
Idle speed	Check-adjust						o (3)
Valve Clearance	Check-adjust						o (3)
Combustion chamber	Clean	After every 500 hrs (3)					
Fuel tank and filter	Clean	o (3)				o (3)	
Fuel tube	Check	Every 2 years (Replace if necessary) (3)					

(1) For commercial use, log hours of operation to determine proper maintenance intervals.

(3) These items should be serviced by your servicing dealer.

(4) Check that there are no cracks or abnormal wear in the belt, and replace it if necessary.

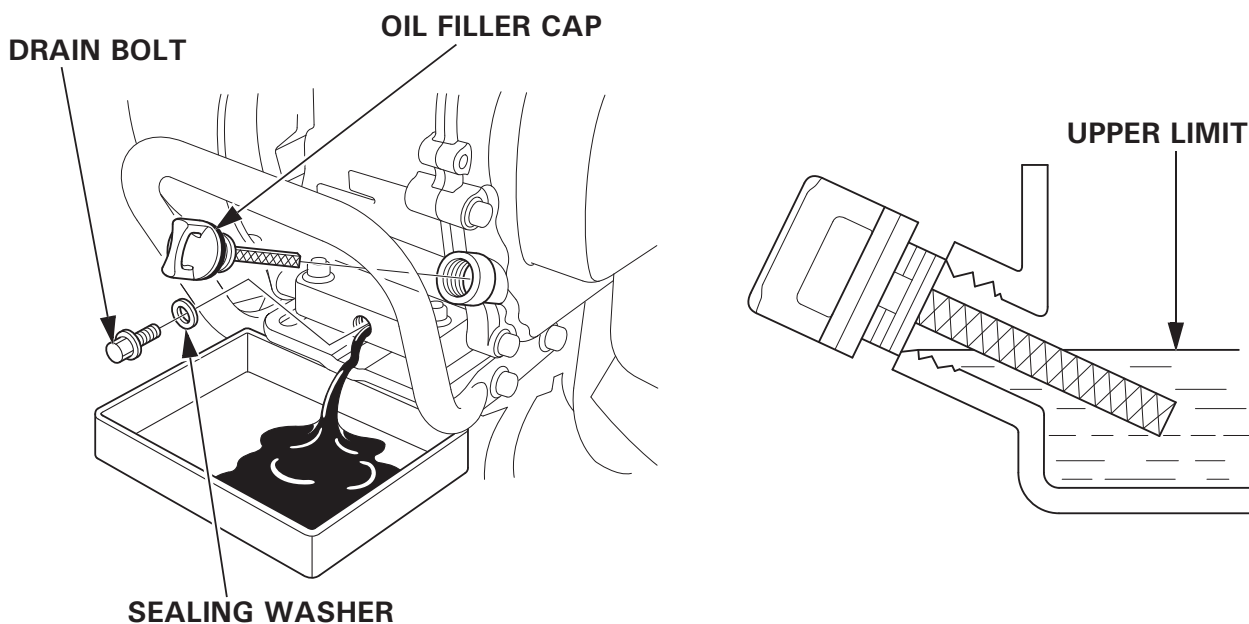


## 1. Changing oil

Change the oil when the engine is warm to assure rapid and complete draining.

1. Place a suitable container below the engine to catch the used oil, and then remove the oil filler cap, drain bolt, and sealing washer.
2. Tilt the tiller slightly forward and allow all of the oil to drain.
3. Allow the used oil to drain completely, and then reinstall the drain bolt with a new sealing washer. Tighten the bolt securely.
4. Refill with the recommended oil (see page 16) to the upper limit.
5. Reinstall the oil filler cap securely.

**Oil capacity:** 0.58 L (0.61 US qt, 0.51 Imp qt)



Wash your hands with soap and water after handling used oil.

### NOTE:

Please dispose of used motor oil in a manner that is compatible with the environment. We suggest you take it in a sealed container to your local service station for reclamation. Do not throw it in the trash or pour it on the ground.

## 2. Air cleaner service

A dirty air cleaner will restrict air flow to the carburetor. To prevent carburetor malfunction, service the air cleaner regularly. Service more frequently when operating the engine in extremely dusty areas.

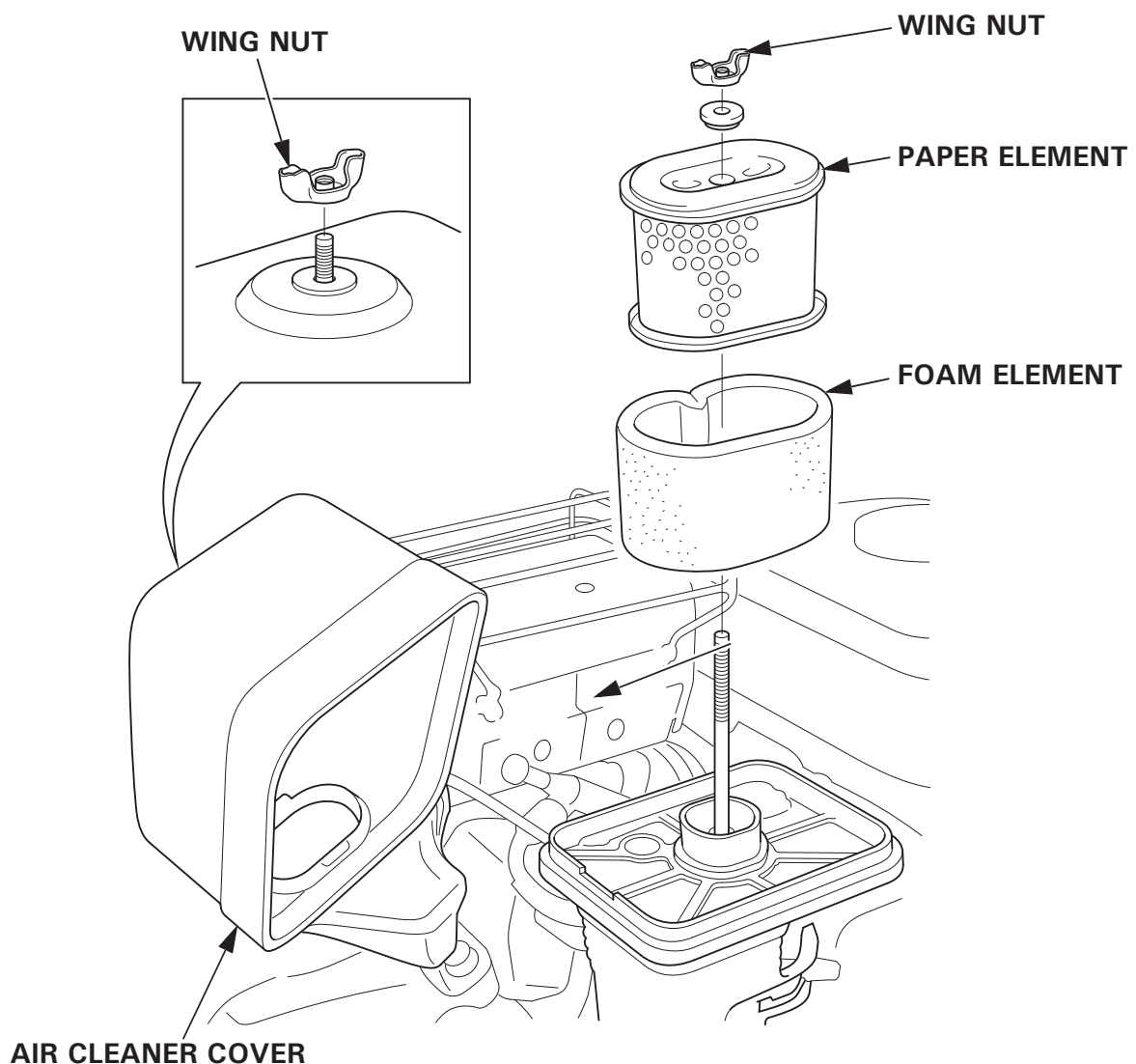
### **⚠ WARNING**

Never use gasoline or low flash point solvents for cleaning the air cleaner element. A fire or explosion could result.

### **CAUTION:**

Never run the engine without the air cleaner. Rapid engine wear will result.

1. Remove the wing nut and the air cleaner cover. Remove the elements and separate them. Carefully check both elements for holes or tears and replace if damaged.

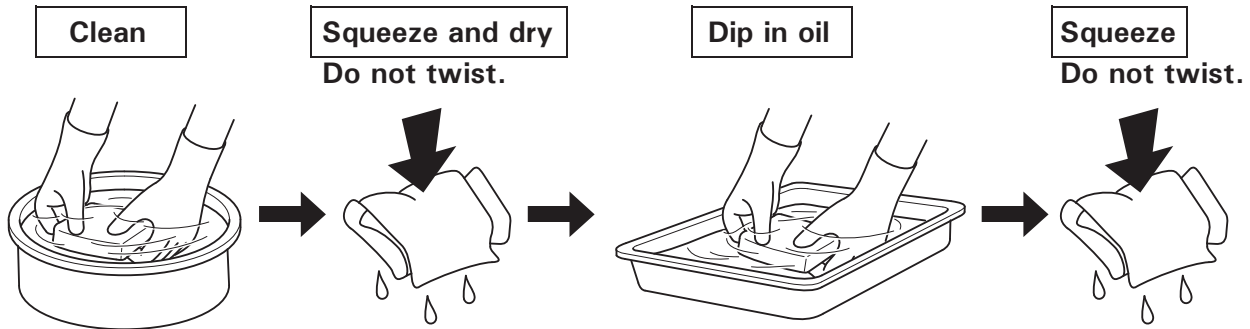


---

2. Clean both filter elements if they are to be used.

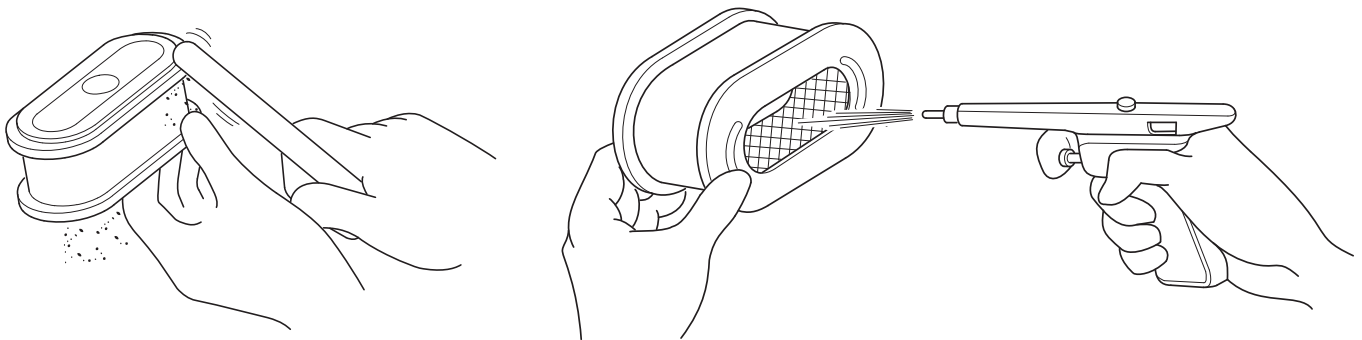
**Foam element:**

Clean in warm soapy water, rinse and allow to dry thoroughly. Or clean in high flash-point solvent and allow to dry. Dip the element in clean engine oil and squeeze out all the excess. The engine will smoke during initial start-up if too much oil is left in the foam.



**Paper element:**

Tap the element lightly several times on a hard surface to remove excess dirt, or blow compressed air through the filter from the inside out. Never try to brush the dirt off; brushing will force dirt into the fibers. Replace the paper element if it is excessively dirty.



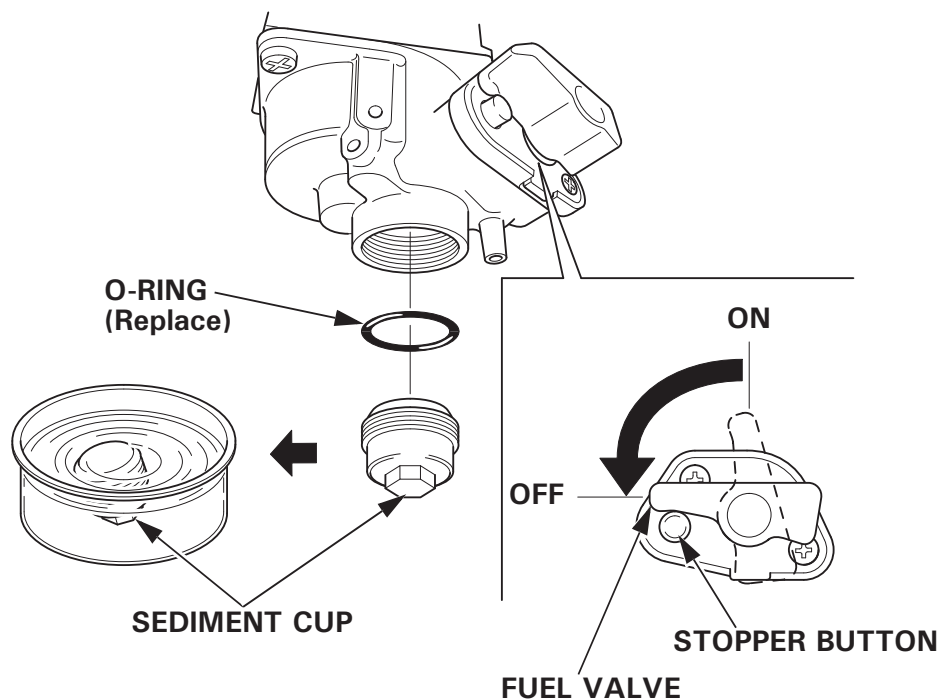
3. Securely install the elements and the air cleaner cover.

### 3. Sediment cup cleaning

#### **▲WARNING**

Gasoline is extremely flammable and is explosive under certain conditions. Do not smoke or allow flames or sparks in the area.

1. Turn the engine switch to the OFF position.
2. Turn the fuel valve to the OFF position so that it touches the stopper button.
3. Remove the sediment cup and O-ring with a 10 mm wrench.
4. Empty the sediment cup, and wash it in non-flammable solvent.
5. Install a new O-ring and the sediment cup. Tighten the sediment cup securely.
6. Turn the fuel valve to the ON position, and check for leaks.



## 4. Spark plug service

**Recommended spark plug:** BPR5ES (NGK)  
W16EPR-U (DENSO)

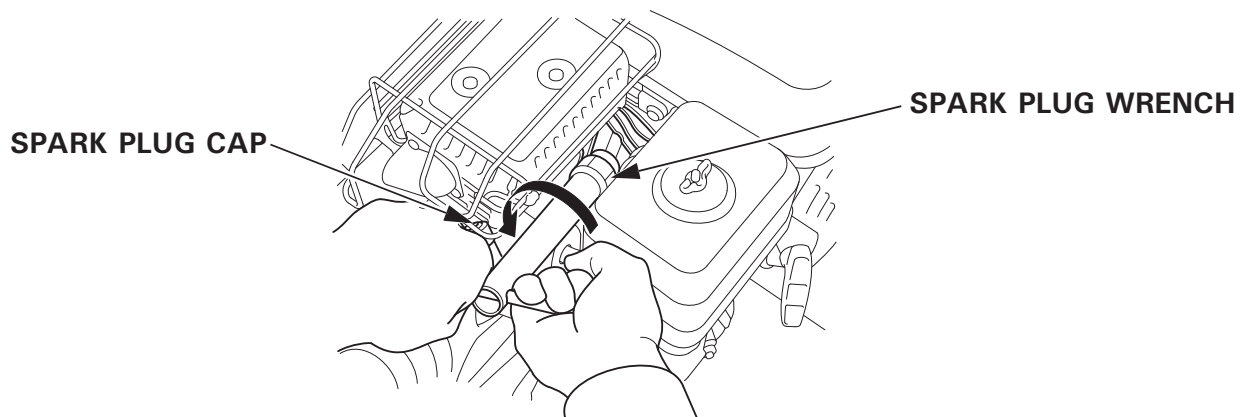
To ensure proper engine operation, the spark plug must be properly gapped and free of deposits.

1. Remove the spark plug cap.

Use the spark plug wrench to remove the spark plug.

### **⚠ WARNING**

If the engine has been running, the muffler will be very hot. Be careful not to touch the muffler.



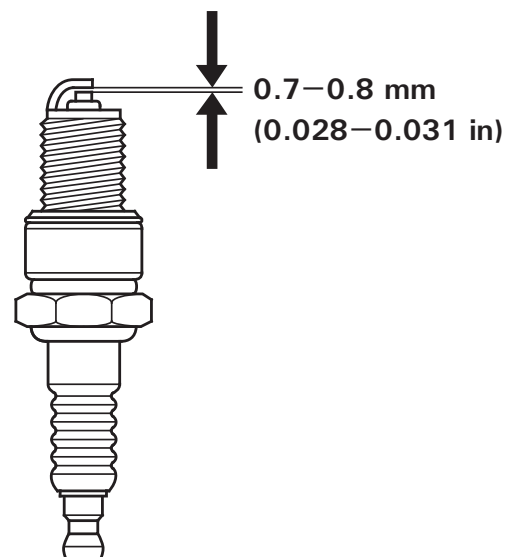
2. Visually inspect the spark plug. Discard it if the insulator is cracked or chipped. Clean the spark plug with a wire brush if it is to be reused.

3. Measure the plug gap with a feeler gauge.

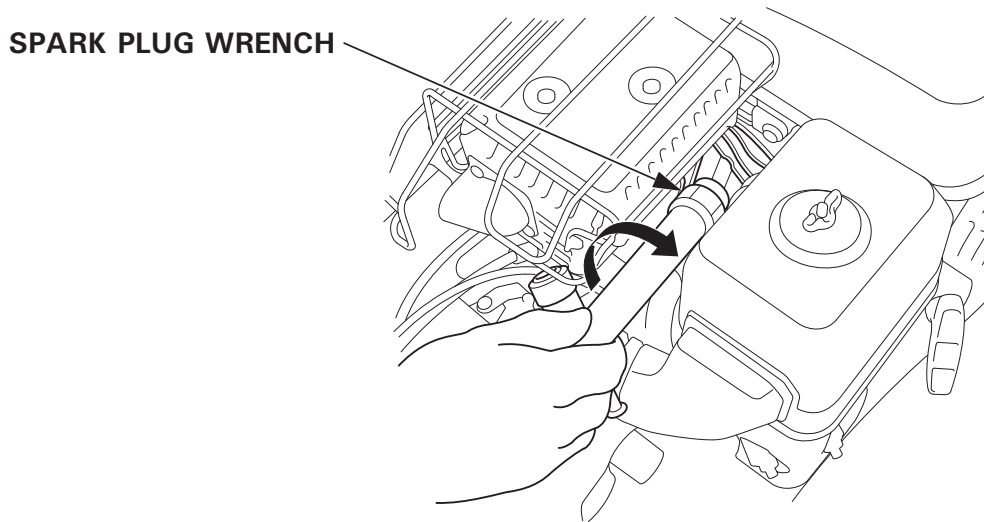
Correct as necessary by bending the side electrode.

The gap should be:

0.7–0.8 mm (0.028–0.031 in)



- 
4. Check that the spark plug washer is in good condition and thread the spark plug in by hand to prevent cross-threading.



5. After the spark plug is seated, tighten with a spark plug wrench to compress the washer.

**NOTE:**

After seating it by hand, tighten a new spark plug 1/2 turn with the wrench to compress the washer. If you are reusing a plug, it should only take 1/8–1/4 turn.

**CAUTION:**

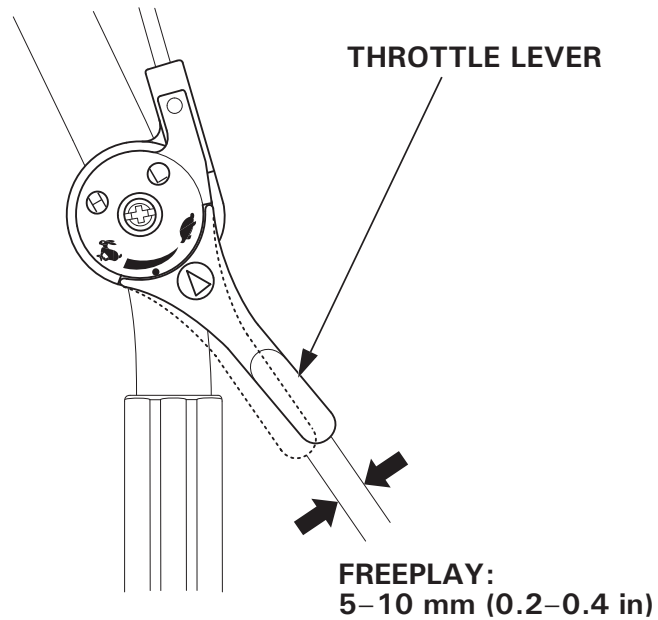
The spark plug must be securely tightened. An improperly tightened plug can become very hot and possibly damage the engine. Never use a spark plug with an improper heat range.

---

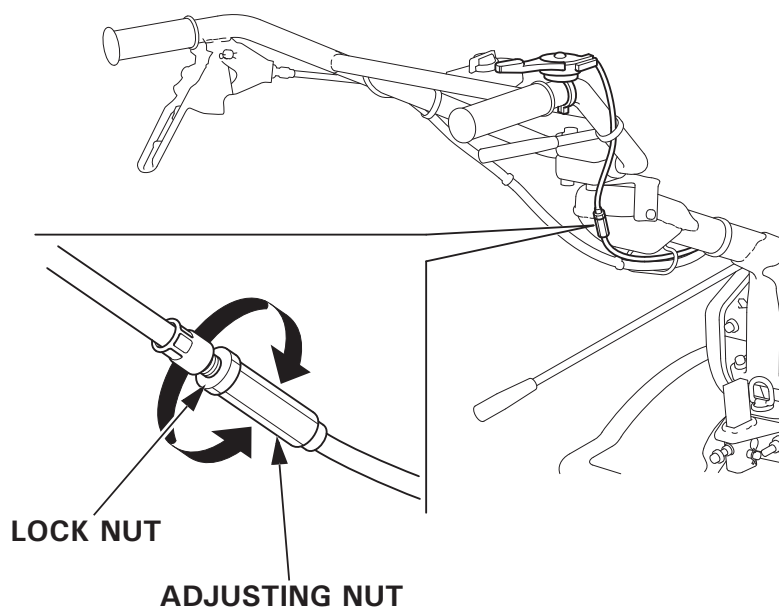
## 5. Throttle cable adjustment

Measure the freeplay at the lever tip.

Freeplay: 5–10 mm (0.2–0.4 in)



If the freeplay is incorrect, loosen the lock nut and turn the adjusting bolt in or out as required.

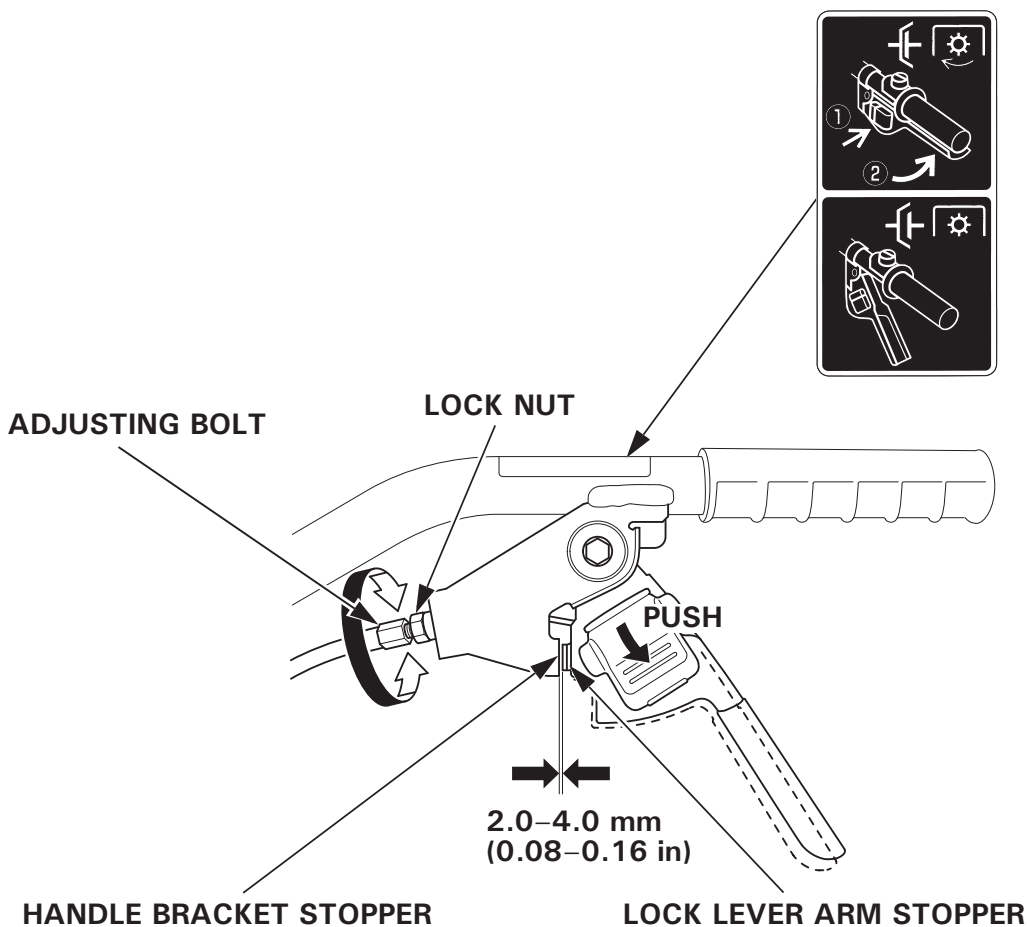


## 6. Clutch cable adjustment

With the clutch disengaged, measure the freeplay between the handle bracket stopper and lock lever arm stopper.

Freeplay: 2.0–4.0 mm (0.08–0.16 in)

If the freeplay is incorrect, loosen the lock nut and turn the adjusting bolt in or out as required. After adjustment, tighten the lock nut securely.





## 7. Clutch lever cleaning

If the lock lever and clutch lever do not operate smoothly, or the clutch engages by squeezing the clutch lever without pushing the lock lever, disassemble and clean the clutch lever.

### NOTE:

Be aware of the spring and collar coming off when you disassemble the clutch lever. The spring and collar are located in between the right side of the clutch lever and the handle bracket.

1. Pull off the snap pin from the lever fulcrum pin.
2. By holding the clutch lever, spring and collar, pull out the lever fulcrum pin.

Detach the clutch lever, spring and collar.

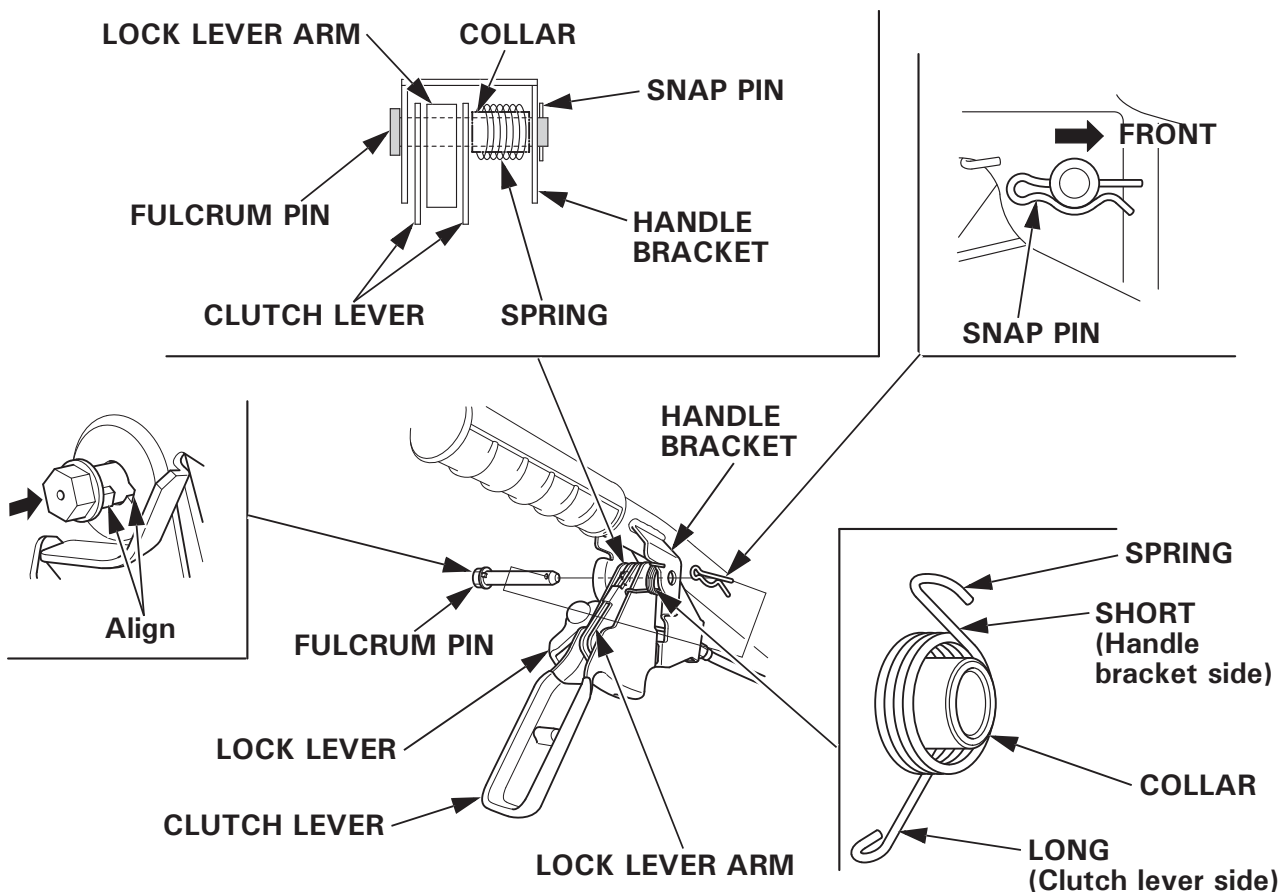
3. Remove any dirt or foreign objects.

Wipe off and clean the fulcrum of the clutch lever and lock lever arm.

### NOTE:

Do not apply any oil or cleaner liquid to the clutch lever, lock lever and lock lever arm.

Oil or cleaner liquid will attract dirt and foreign objects.



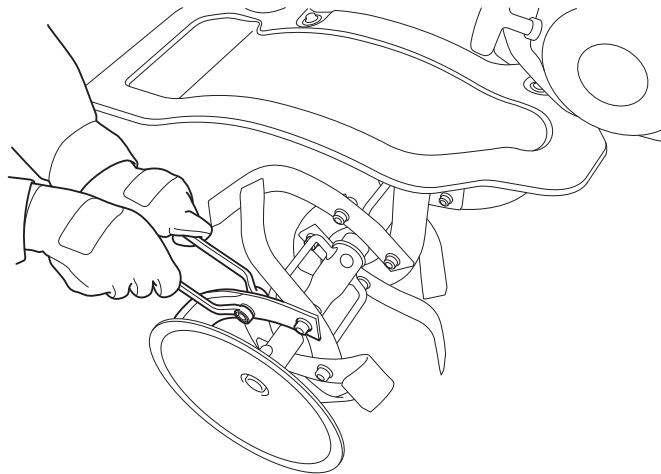
- 
4. Set the collar to the spring, and position them between the right side of the clutch lever and the handle bracket (see page 50).  
With the spring and collar set in this position, slide in the lever fulcrum pin.
  5. Align the projection on the lever fulcrum pin to the groove on the side of the handle bracket hole and then set the snap pin in the direction shown in the illustration (see page 50).
  6. Check the lock lever and clutch lever for smooth operation.  
If the lock lever and clutch lever do not operate smoothly, or the clutch engages by squeezing the clutch lever without pushing the lock lever, take the tiller to an authorized Honda dealer.

---

## 8. Rotary tines inspection and replacement (SER and DER types)

### **▲WARNING**

- Wear heavy gloves to protect your hands.
- Carry out the check or replacement work with the tiller on the level spot and the engine stopped. Disconnect the spark plug cap to prevent an accidental start-up.



Before starting check or replacement work, set the front wheel (DER type) to the DOWN position (see page 34) and place the tiller on a firm level ground and secure it not to move.

Turn the fuel valve to the OFF position.

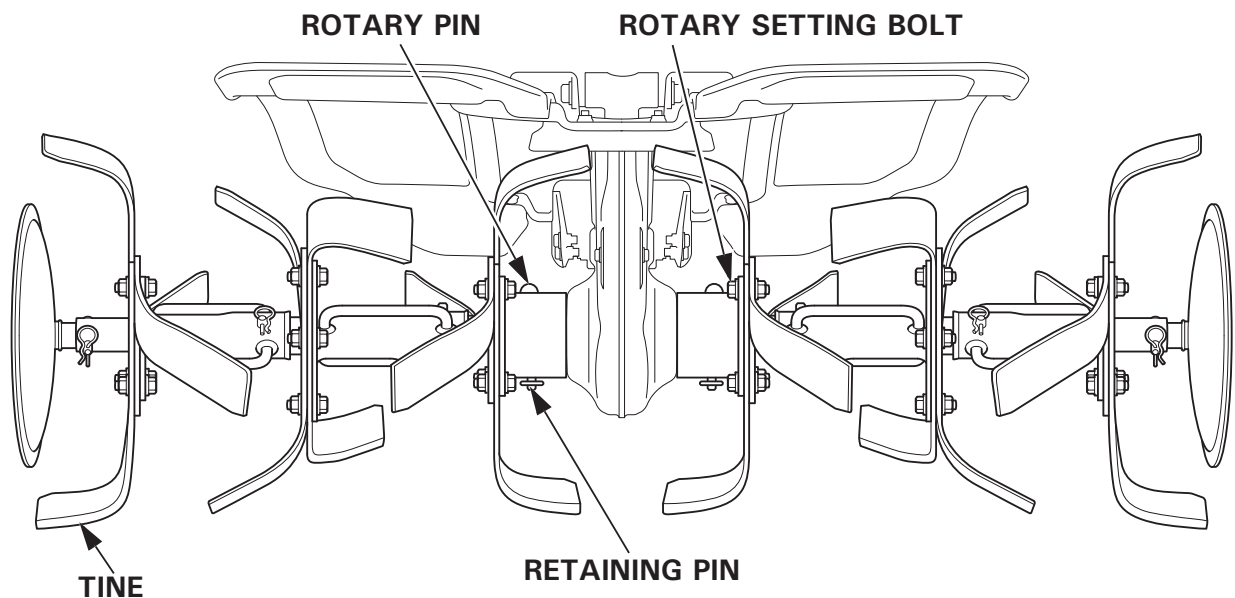
---

## Inspection:

1. Check for damage, bent, or loose tines. If abnormality is found, tighten or replace the damaged part.
2. Check the rotary setting bolt for looseness, tighten if necessary.
3. Check the rotary pins and retaining pins for damage or missing, replace with new one if necessary (see pages 56 and 57)

## NOTE:

Use genuine Honda parts or equivalent when replacing the rotary tines.



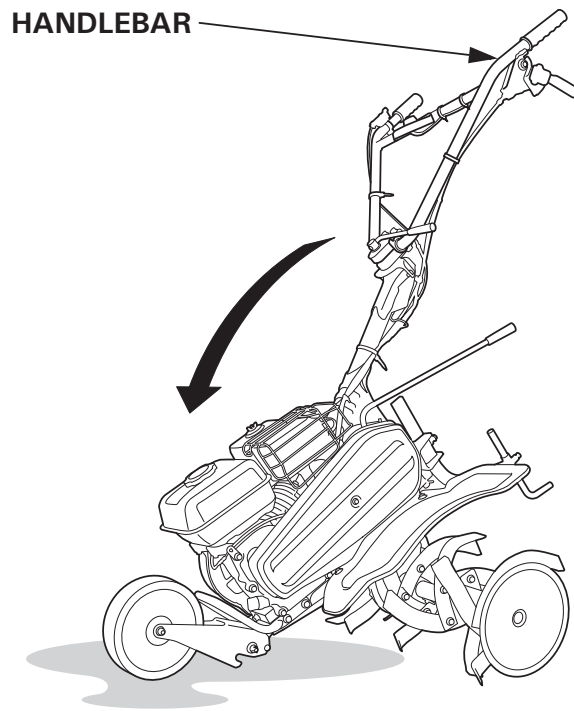
---

## Rotary and side disk removal:

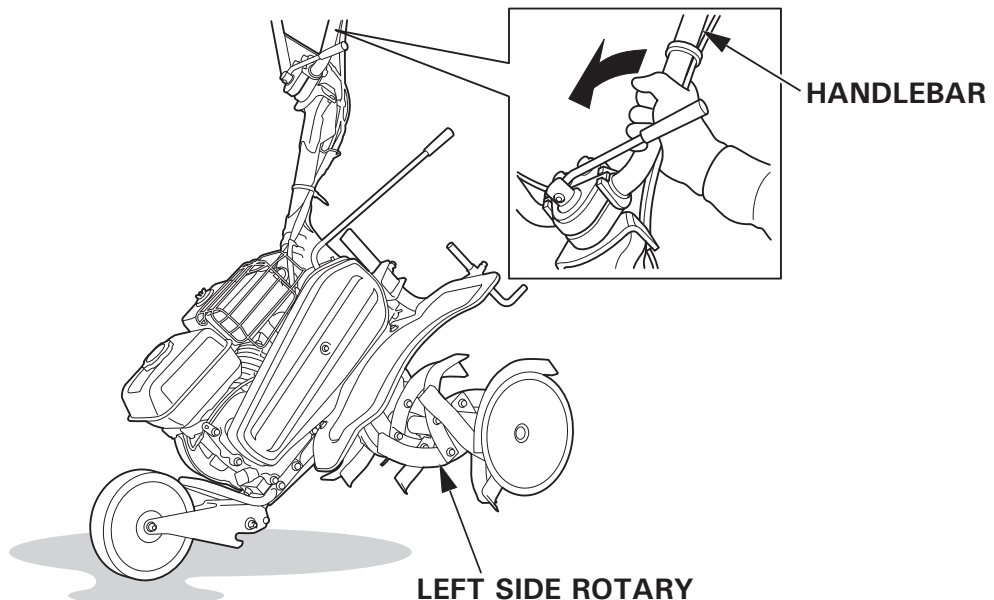
- DER type:

Set the front wheel to the UP position (see page 34).

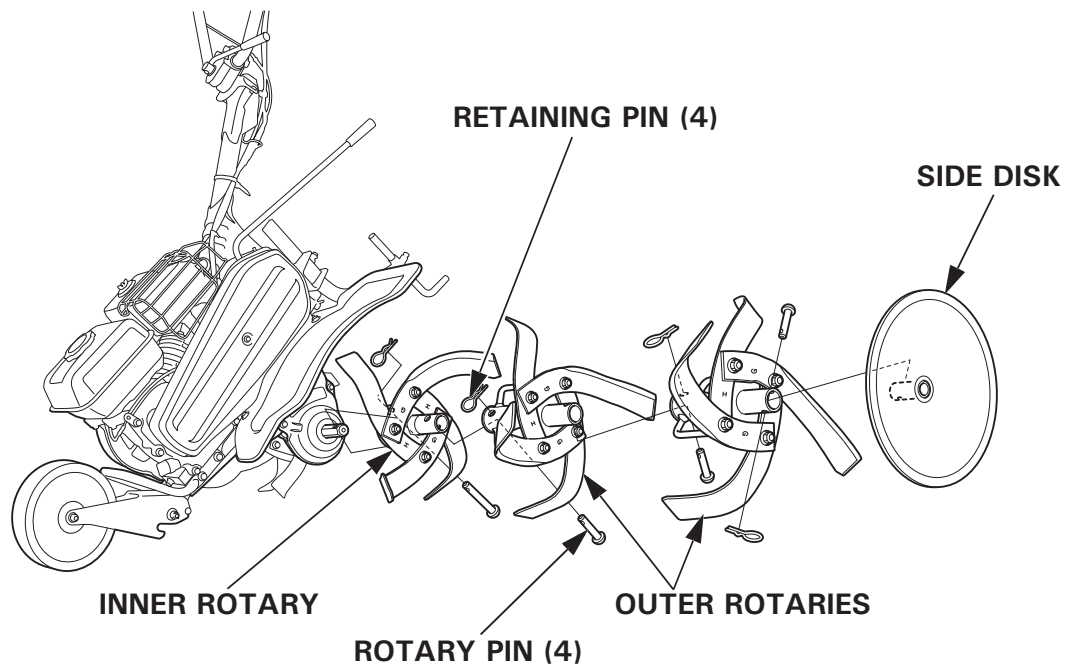
1. Pull up the handlebar while holding it to contact the front wheel (DER type) or front end of the tiller to the ground.



2. Grip the handlebar and push it in the direction of the arrow to lift the nearest rotary off the ground. Keep this condition. Do not pull the cables while gripping the handlebar. Pay attention, when tilting the tiller. The gasoline may leak if the tilting angle is more than necessary.



- 
3. Remove the retaining pins and rotary pins, then remove the side disk and outer rotaries.
  4. Remove the retaining pin and rotary pin, then remove the inner rotary.
  5. The opposite side rotary/side disk is similar.

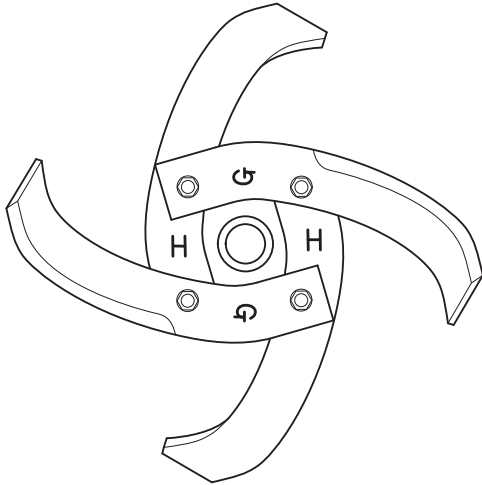


## Rotary and side disk installation:

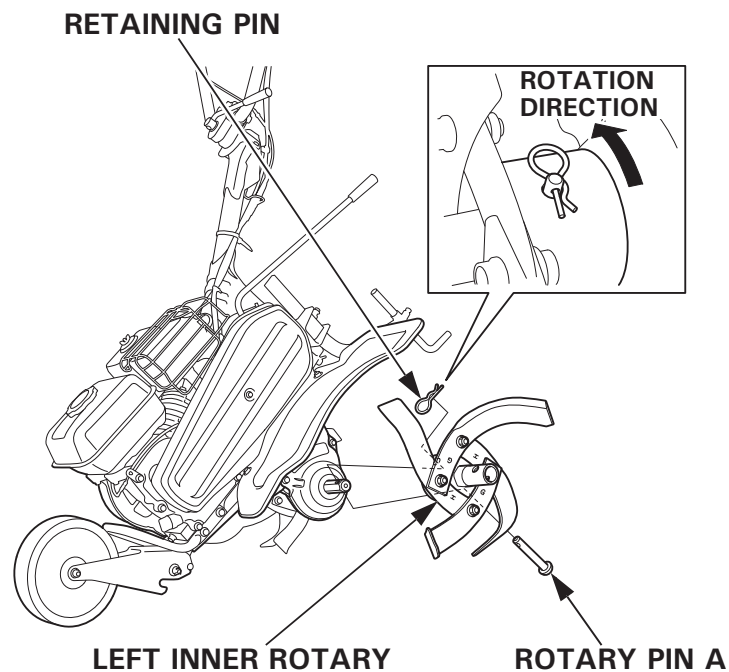
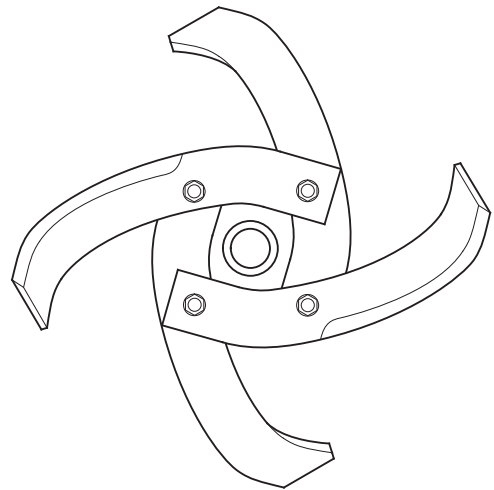
1. Install the inner rotary to the axle.

- The "G" and "H" mark on the left side inner rotary is visible.
- The "G" and "H" mark on the right side inner rotary will be invisible.

**LEFT INNER ROTARY**  
(Viewed from outer rotary side)

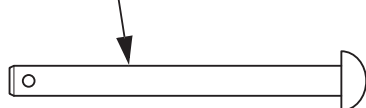


**RIGHT INNER ROTARY**  
(Viewed from outer rotary side)

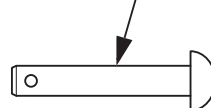


2. Insert the rotary pin A and set the retaining pin.

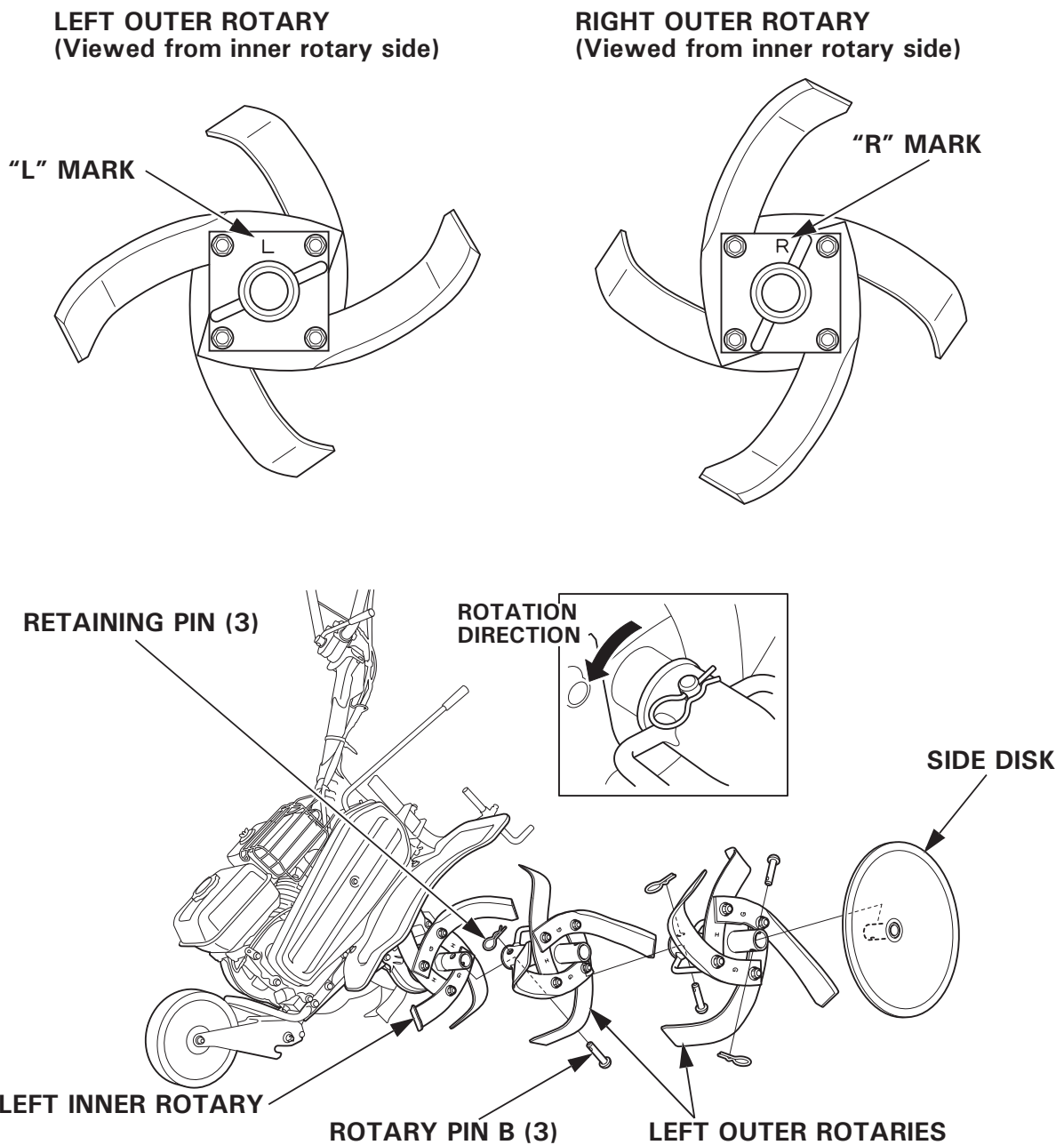
**ROTARY PIN A (LONG)**



**ROTARY PIN B (SHORT)**



3. Install the outer rotaries with the "R" (right rotary) mark or "L" (left rotary) mark facing toward the inner rotary as shown.
4. Insert the rotary pins B and set the retaining pins.
5. Install the side disk, then insert the rotary pin B and set the retaining pin.
6. The opposite side rotary/side disk is similar.





---

## Tine installation:

Install the tines properly.

Incorrect arrangement of the tines or installing the tines in the wrong direction will cause vibration and hinder proper tilling.

Two types of tines (G and H) are provided. Tine G has engraved "G" mark on its face and tine H has "H" mark.

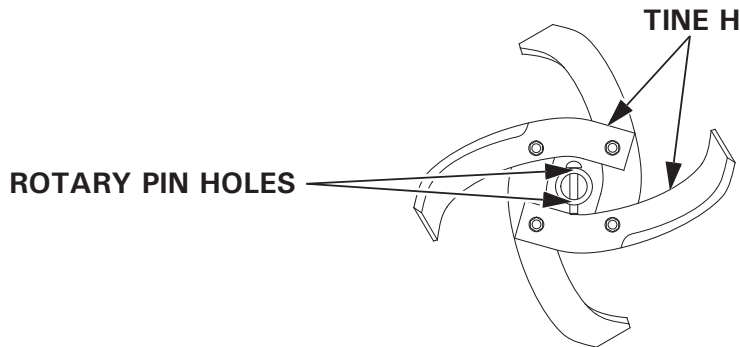


### • Right side:

Install the right side outer rotary tines and inner rotary tines with the "G" and "H" mark facing toward the gear case.

(The "G" and "H" mark will be invisible from outside.)

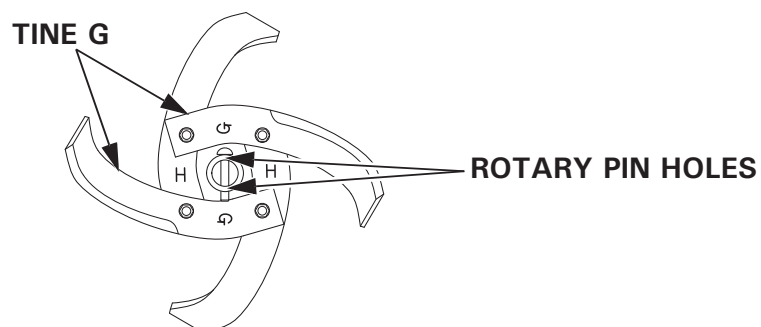
The tine "H" mark should align with the rotary pin holes.



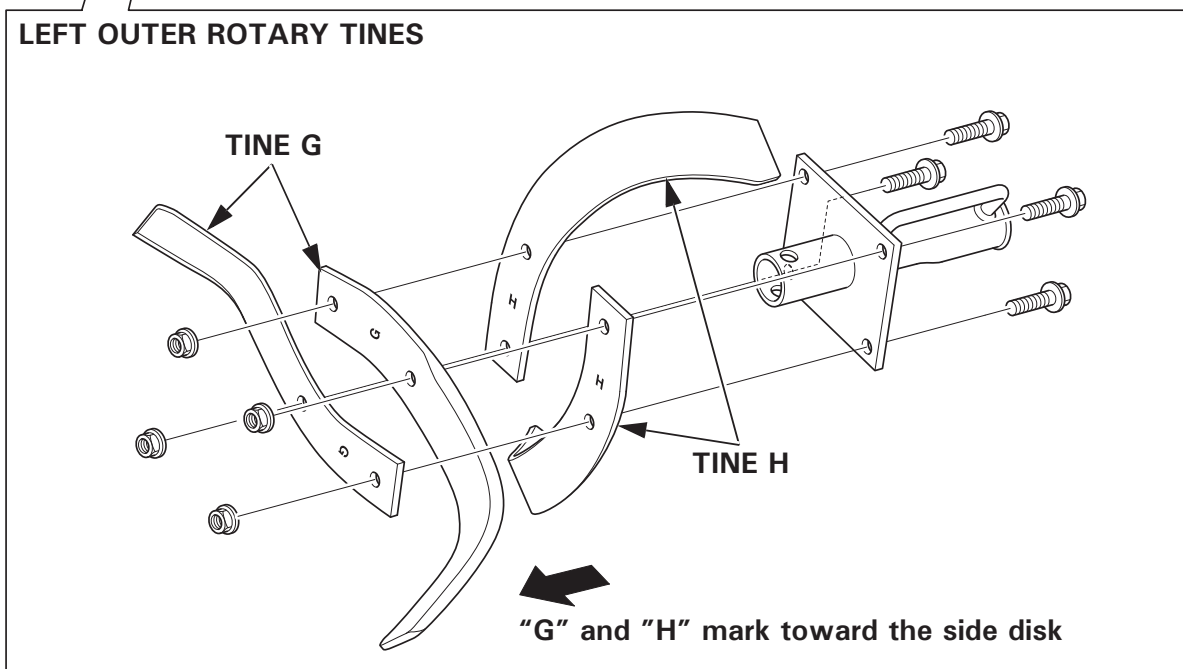
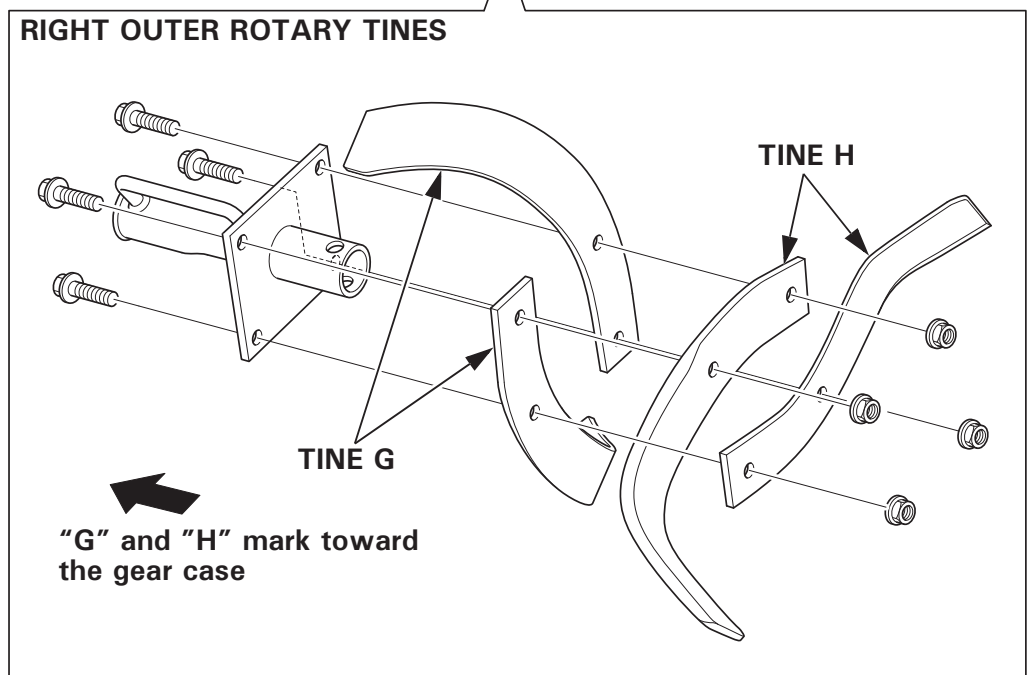
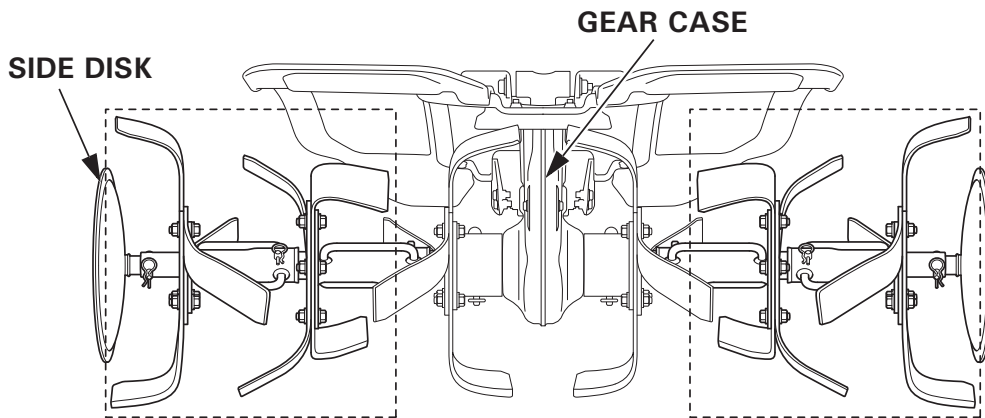
### • Left side:

Install the left side outer rotary tines and inner rotary tines with the "G" and "H" mark facing toward the side disk.

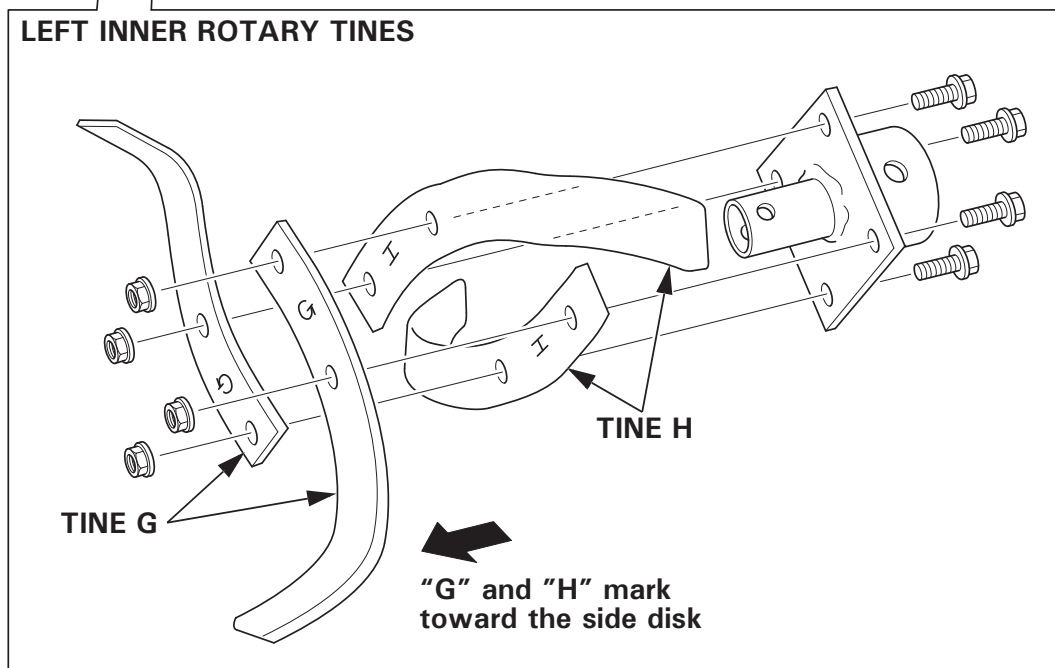
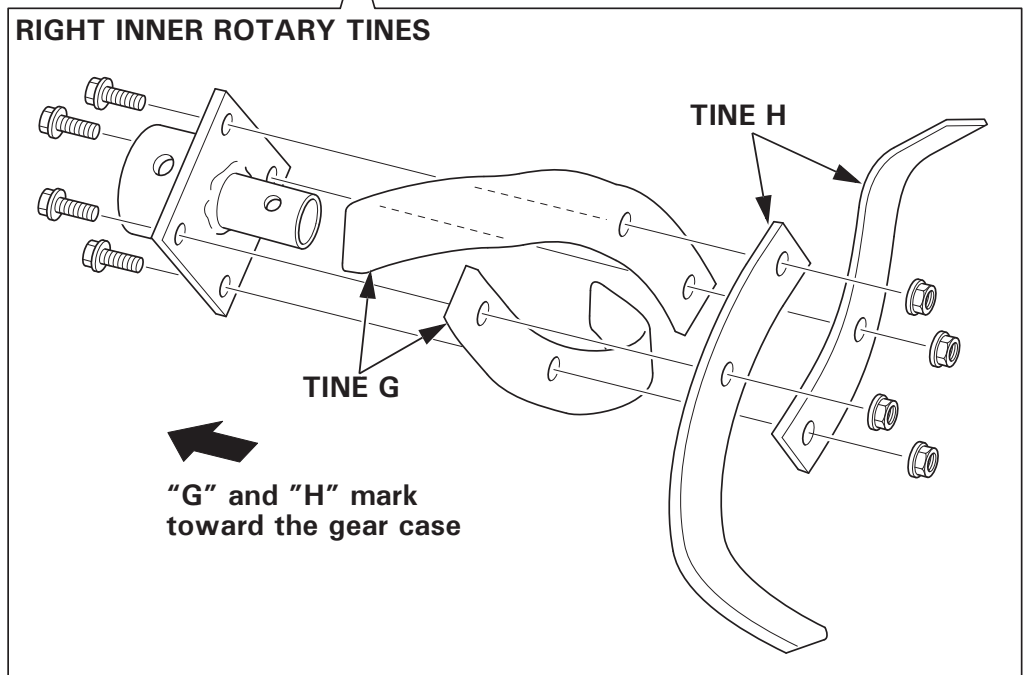
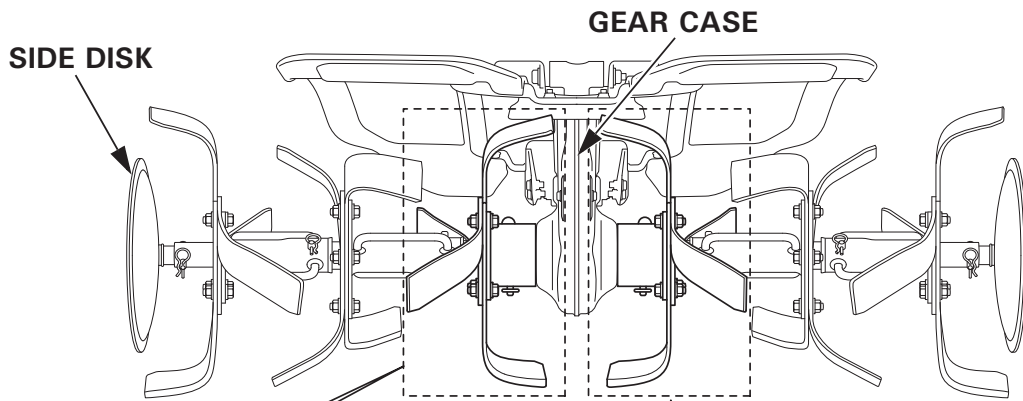
The tine "G" mark should align with the rotary pin holes.



• Outer rotary tines



• Inner rotary tines



## 9. TRANSPORTING/STORAGE

### ⚠ WARNING

When transporting the tiller, turn the fuel valve OFF and keep the tiller level to prevent fuel spillage. Fuel vapor or spilled fuel may ignite.

Before storing the unit for an extended period:

1. Be sure the storage area is free of excessive humidity and dust.
2. Drain the fuel:

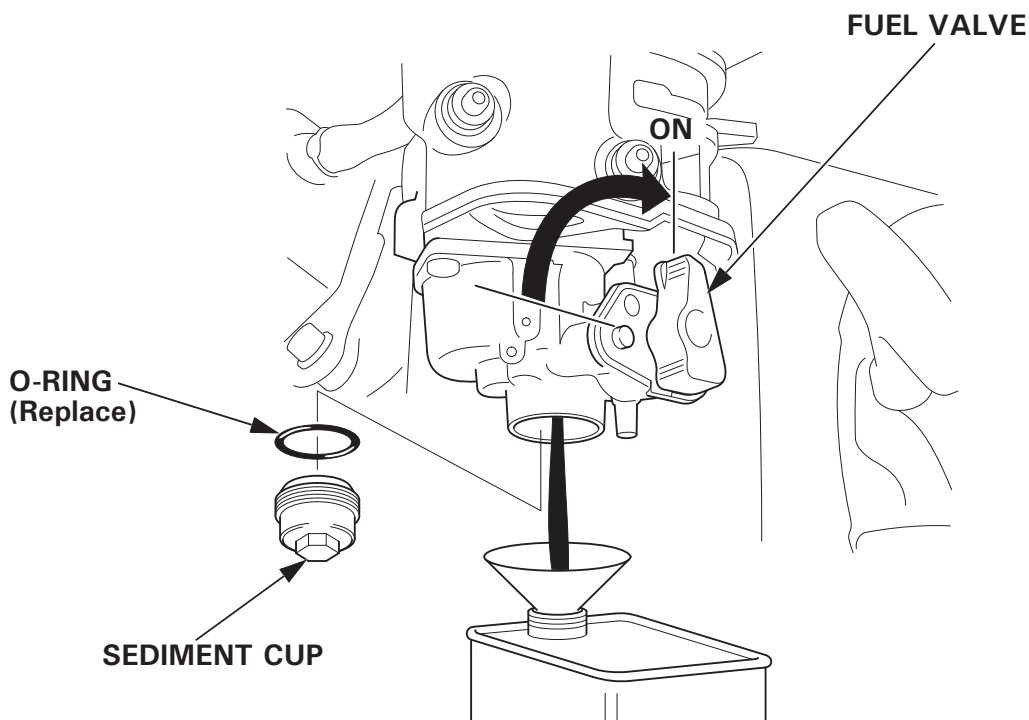
### ⚠ WARNING

Gasoline is flammable and explosive under certain conditions. Do not smoke or allow flames or sparks near the equipment while draining fuel.

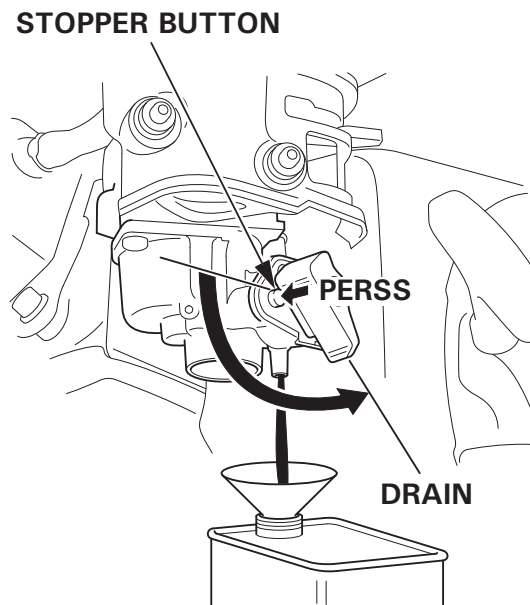
- a. Place an approved gasoline container below the carburetor, and use a funnel to avoid spilling fuel.

To drain the gasoline of the carburetor only, place a suitable container under the carburetor and follow procedures "e." and "f."

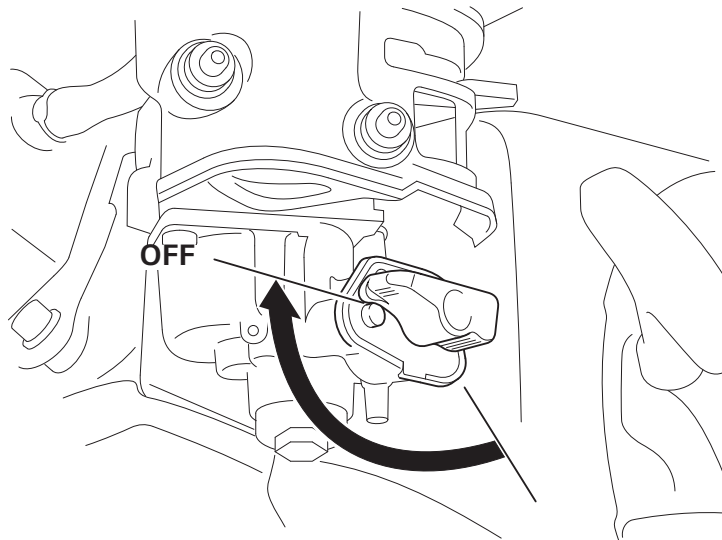
- b. Remove the sediment cup and O-ring.
- c. Turn the fuel valve to the ON position. Drain the gasoline into a suitable container.



- 
- d. Allow the gasoline to drain completely, and turn the fuel valve to the OFF position.
- e. Turn the fuel valve to the DRAIN position while keeping the stopper button pressed. Drain the gasoline into a suitable container.



- f. Allow the gasoline to drain completely. Turn the fuel valve back to the OFF position so that it touches the stopper button.



- g. Reinstall a new O-ring and the sediment cup. Tighten the sediment cup securely.

- 
3. Pull the starter grip until resistance is felt. Continue pulling until the notch on the starter pulley aligns with the hole on the recoil starter. At this point, the intake and exhaust valves are closed, and this will help to the engine from internal corrosion.
  4. Change engine oil.
  5. Cover tiller with plastic sheet.

Do not place the tiller with the handlebars on the ground. It will cause the oil to enter the cylinder or fuel will spill over.

# 10. TROUBLESHOOTING

---

When the engine will not start:

1. Is there enough fuel?
2. Is the fuel valve to the ON position?
3. Is the engine switch to the ON position?
4. Is gasoline reaching the carburetor?

To check, turn the fuel valve to the DRAIN position (see page 62).  
Fuel should flow out freely. Turn the fuel valve to the OFF position.

## **▲WARNING**

**If any fuel is spilled, make sure the area is dry before starting the engine. Spilled fuel or fuel vapor may ignite.**

5. Is the spark plug in good condition?

Remove and inspect the spark plug. Clean, readjust gap and dry the spark plug. Replace it if necessary.

6. If the engine still does not start, take the tiller to an authorized Honda dealer.

# 11. SPECIFICATIONS

Model	FJ500-SE	FJ500-SER	FJ500-DE	FJ500-DER
Description code	FAAC			

## Dimensions and weight

Model	FJ500-SE	FJ500-SER	FJ500-DE	FJ500-DER
Length	1,395 mm (54.9 in)		1,435 mm (56.5 in)	
Width	610 mm (24.0 in)	925 mm (36.4 in)	610 mm (24.0 in)	925 mm (36.4 in)
Height	990 mm (39.0 in)		1,015 mm (40.0 in)	
Dry mass [weight]	45 kg (99 lbs)	57 kg (126 lbs)	50 kg (110 lbs)	62 kg (137 lbs)

## Engine

Model	GX160
Type	4-stroke, 1-cylinder, OHV, forced air cooled
Displacement	163 cm <sup>3</sup> (9.9 cu-in)
Bore × Stroke	68.0 × 45.0 mm (2.68 × 1.77 in)
Ignition system	Transistor magneto
Spark plug	BPR5ES (NGK), W16EPR-U (DENSO)
Engine oil capacity	0.58 L (0.61 US qt, 0.51 Imp qt)
Fuel tank capacity	2.4 L (0.63 US gal, 0.53 Imp gal)

## Drive train

Model	FJ500-SE	FJ500-SER	FJ500-DE	FJ500-DER
Clutch	Belt tension type			
Transmission	Forward 1 reverse 1		Forward 2 reverse 1	
Transmission oil capacity	0.95 L (1.00 US qt, 0.84 Imp qt)			



## Noise and vibration

Type	SE, SER	DE, DER
Sound pressure level at operator's ears (EN ISO 11200: 1995)	81 dB (A)	81 dB (A)
Uncertainty	2 dB (A)	2 dB (A)
Measured sound power level (Reference to the motor hoe of 2000/14/EC, 2005/88/EC)	96 dB (A)	96 dB (A)
Uncertainty	2 dB (A)	2 dB (A)
Vibration level at hand arm (EN1033: 1995)	5.8 m/s <sup>2</sup>	7.8 m/s <sup>2</sup>
Uncertainty (EN12096: 1997 Annex D)	2.3 m/s <sup>2</sup>	3.1 m/s <sup>2</sup>

NOTE: Specifications are subject to change without notice.





# Honda FJ500

## MANUEL DE L'UTILISATEUR

Notice originale



ECOLOGY CONSCIOUS TECHNOLOGY

La marque "e-SPEC" symbolise l'application de technologies soucieuses de l'environnement à l'équipement mécanique Honda dans le but de "préserver la nature pour les générations futures".

---

Nous vous remercions d'avoir porté votre choix sur un motoculteur Honda.

Ce manuel couvre le fonctionnement et l'entretien de votre motoculteur FJ500.

Toutes les informations contenues dans ce document sont basées sur les plus récentes données conformes et disponibles au moment de l'impression.

Honda Motor Co., Ltd. se réserve le droit d'apporter des modifications à tout moment sans préavis et sans obligation quelconque.

Aucune partie de cette publication ne peut être reproduite sans autorisation écrite.

Ce manuel est considéré comme partie intégrante du motoculteur et il doit accompagner le motoculteur en cas de revente.

Attacher une attention particulière aux indications précédées des mentions suivantes :

**⚠ ATTENTION** Signale un fort risque de blessures corporelles graves, voire un danger mortel si les instructions ne sont pas suivies.

**PRECAUTION :** Indique des risques hautement probables de blessures sévères, voire mortelles, ou des dommages matériels si l'on ne suit pas les instructions.

REMARQUE : Fournit des informations utiles.

Si l'on a un problème à résoudre ou des questions concernant le motoculteur, consulter un concessionnaire agréé Honda.

**⚠ ATTENTION**

**Le motoculteur Honda est connu pour assurer un service sûr et fiable dans des conditions d'utilisation conformes aux instructions. Lire très attentivement le manuel d'utilisateur avant d'utiliser le motoculteur. A défaut, vous vous exposeriez à des blessures et l'équipement pourrait être endommagé.**

- Les illustrations peuvent varier en fonction du type.

---

**Mise au rebut**

Pour la protection de l'environnement, ne pas jeter ce produit, la batterie, l'huile moteur, etc., aux ordures. Observer la réglementation locale ou consulter son concessionnaire Honda agréé pour la mise au rebut.

# SOMMAIRE

---

1. CONSIGNES DE SECURITE.....	3
2. EMBLACEMENT DES ETIQUETTES DE SECURITE .....	9
Emplacement de la marque CE .....	10
Emplacements du numéro de série .....	11
3. IDENTIFICATION DES COMPOSANTS.....	12
4. CONTROLE AVANT UTILISATION.....	14
5. MISE EN MARCHE DU MOTEUR.....	23
Modification du carburateur pour une utilisation à haute altitude.....	26
6. UTILISATION DU MOTOCULTEUR .....	27
7. ARRET DU MOTEUR.....	37
8. ENTRETIEN.....	40
9. TRANSPORT/REMISAGE.....	61
10. DEPANNAGE .....	64
11. CARACTERISTIQUES.....	65
ADRESSES DES PRINCIPAUX DISTRIBUTEURS Honda.....	Deuxième de couverture
PRESENTATION DU CONTENU "Déclaration de conformité CE" .....	Deuxième de couverture

# 1. CONSIGNES DE SECURITE

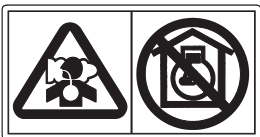
## ⚠ ATTENTION

### Pour garantir la sécurité d'utilisation-

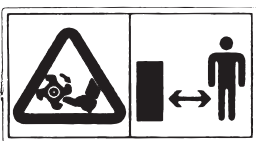
Pour votre sécurité et celle des tiers, prêter une attention particulière à ces avertissements :



- **Le motoculteur Honda a été conçu pour fonctionner de manière fiable et en toute sécurité à condition qu'il soit utilisé conformément aux instructions données. Lire très attentivement le manuel d'utilisateur avant d'utiliser le motoculteur. A défaut, vous vous exposeriez à des blessures et l'équipement pourrait être endommagé.**



- **Les gaz d'échappement contiennent du monoxyde de carbone, un gaz toxique, incolore et inodore. L'inhalation du monoxyde de carbone peut provoquer l'évanouissement et entraîner la mort.**
- **Si l'on fait fonctionner le motoculteur dans un endroit fermé ou même partiellement clos, l'air respiré peut contenir une quantité dangereuse de gaz d'échappement.**
- **Ne jamais faire fonctionner le motoculteur dans un garage, une maison ou à proximité de fenêtres ou portes ouvertes.**



- **Les lames rotatives sont tranchantes et tournent à grande vitesse. Un contact accidentel peut provoquer de très graves blessures.**
- **Ne jamais approcher les mains et les pieds des lames lorsque le moteur tourne.**
- **Arrêter le moteur et débrayer les outils rotatifs avant de procéder au contrôle ou à l'entretien des dents.**
- **Débrancher l'antiparasite de bougie d'allumage pour empêcher tout démarrage accidentel. Porter des gants épais pour se protéger les mains pendant le nettoyage, le contrôle ou le remplacement des dents.**





- **L'essence est hautement inflammable et peut exploser dans certaines conditions.**
- **Ne pas fumer ni autoriser de flammes ou d'étincelles dans la zone où l'on fait le plein et où l'essence est stockée.**
- **Ne pas trop remplir le réservoir de carburant et s'assurer que le bouchon du réservoir est fermé à fond après avoir fait le plein.**
- **Faire le plein dans un endroit bien aéré, le moteur arrêté.**

## **Obligations de l'utilisateur**

- Maintenir le motoculteur en bon état de fonctionnement. L'utilisation d'un motoculteur en mauvais état peut entraîner de graves blessures.
- S'assurer que tous les dispositifs de sécurité sont en bon état de fonctionnement et que les étiquettes d'avertissement sont en place. Ces pièces sont destinées à la sécurité de l'utilisateur.
- S'assurer que les carters de sécurité (caches des outils rotatifs, carter de ventilateur et capot du lanceur) soient bien montés en place.
- Apprendre à arrêter rapidement le moteur et les outils rotatifs en cas d'urgence. Bien assimiler l'utilisation de toutes les commandes.
- Garder les deux mains fermement sur les mancherons. Les mancherons pourront avoir tendance à se lever pendant l'embrayage des outils.

---

**▲ ATTENTION****Pour garantir la sécurité d'utilisation–****Obligations de l'utilisateur**

- Lisez attentivement le manuel de l'utilisateur. Familiarisez-vous avec les commandes de la motobineuse et de leur utilisation appropriée.
- Utiliser le motoculteur uniquement dans le but proposé, c-à-d., le travail du sol. Tout autre usage pourrait s'avérer dangereux ou endommager l'équipement. En particulier, ne jamais l'utiliser pour cultiver un sol contenant des roches, cailloux, câblages et autres matériaux durs.
- Ne jamais laisser des enfants ou des personnes non familières avec ce manuel de l'utilisateur utiliser le motoculteur. La réglementation locale peut restreindre l'âge de l'opérateur.
- Avant chaque utilisation, vérifier l'état du motoculteur, y compris l'usure, l'endommagement et le desserrement des pièces. Si nécessaire, remplacer les pièces endommagées.
- Bien s'aviser que le propriétaire ou l'utilisateur est responsable en cas d'accident ou de dommage survenant aux autres personnes ou à leurs biens. Dans le cas d'utilisation en location, ne pas manquer de fournir toutes les explications de fonctionnement requises en présence de l'utilisateur.
- Garder les mains et les pieds éloignés des outils rotatifs avec le moteur en marche.
- Ne laisser personne utiliser ce motoculteur sans instructions d'utilisation appropriées car ceci pourrait entraîner des blessures.
- Se protéger les pieds avec de robustes souliers appropriés. L'utilisation du motoculteur pieds nus ou avec des chaussures ouvertes ou des sandales augmente les risques de blessures.
- Porter des vêtements appropriés. Des vêtements trop lâches risquent d'être happés dans les pièces mobiles et entraîner des blessures.
- Soyez vigilant. L'utilisation de ce motoculteur lorsqu'on est fatigué, malade ou sous l'influence de l'alcool ou de médicaments peut entraîner de graves blessures.
- Ne pas laisser de personnes ou des animaux approcher de la zone où l'on travaille.
- S'assurer que l'éperon de terrage est en place et correctement réglée.
- Ne pas modifier les réglages du régulateur, ni mettre le moteur en surrégime.
- Mettre soigneusement le moteur en marche en suivant les instructions de ce manuel, en gardant les pieds éloignés des outils rotatifs.
- Lors de la mise en marche du moteur, garder les pieds éloignés des dents.
- Éviter d'utiliser le motoculteur la nuit ou par mauvais temps et mauvaise visibilité, car il y a un grand risque d'accident.
- Marcher, ne jamais courir pendant l'utilisation.
- En cas de marche arrière pendant l'utilisation, faire particulièrement attention aux personnes et obstacles situés derrière l'opérateur.
- Avant de transporter ou de soulever le motoculteur, vérifier que le moteur est arrêté.

---

## **▲ATTENTION**

### **Pour garantir la sécurité d'utilisation-**

#### **Obligations de l'utilisateur**

- Arrêter le moteur dans les cas suivants :
  - Chaque fois que vous quittez le motoculteur sans surveillance.
  - Avant de faire le plein
- En cas d'arrêt du moteur, déplacer le levier de commande des gaz vers la position "LOW", puis désenclencher le commutateur de moteur. Si le motoculteur est équipé de robinet d'essence, toujours fermer le robinet d'essence.
- Garder tous les écrous, boulons et vis serrés pour être sûr que le motoculteur est en bon état de travail. Un entretien régulier est une aide essentielle à la sécurité de l'utilisateur et au maintien d'un bon niveau de performances.
- Ne jamais remiser le motoculteur avec de l'essence dans le réservoir à l'intérieur d'un bâtiment où des vapeurs d'essence peuvent atteindre une flamme ouverte, une étincelle ou une source de haute température.
- Laisser refroidir le moteur avant de le remiser dans un endroit clos.
- Pour réduire les risques d'incendie, garder le motoculteur, et surtout le moteur, le silencieux, ainsi que la zone de stockage d'essence libres d'herbes, de feuilles ou de graisse excessive.  
Ne pas laisser de récipients de matière végétales dans ou à proximité d'un bâtiment.
- Si le réservoir d'essence doit être vidangé, procéder à l'extérieur, avec un moteur froid.
- Remplacer les pièces usées ou endommagées par mesure de sécurité.

#### **Sécurité des enfants**

- Garder les enfants à l'intérieur et les surveiller constamment lorsque le motoculteur est utilisé à proximité. Les jeunes enfants se déplacent rapidement et sont tout particulièrement attirés par le motoculteur et l'activité de labour.
- Ne jamais supposer que les enfants resteront où ils ont été vus la dernière fois. Rester vigilant et arrêter le motoculteur dès qu'un enfant s'en approche.
- Ne jamais laisser un enfant manœuvrer le motoculteur, même sous la surveillance d'un adulte.

#### **Danger de projection d'objets**

Les objets heurtés par les outils rotatifs peuvent être projetés avec force et infliger de graves blessures.

- Avant d'utiliser le motoculteur, débarrasser la partie à travailler des bâtons, gros cailloux, fils de fer, morceaux de verre, etc. Toujours travailler en plein jour.
- Vérifier toujours si le motoculteur n'est pas endommagé après avoir heurté un objet étranger. Réparer ou remplacer toute pièce endommagée avant de continuer à l'utiliser.
- Des pièces projetées par des lames usées ou endommagées peuvent provoquer de graves blessures. Toujours contrôler les outils rotatifs avant d'utiliser le motoculteur.

---

**⚠ ATTENTION****Pour garantir la sécurité d'utilisation–****Danger d'incendie et de brûlure**

L'essence est extrêmement inflammable et les vapeurs d'essence peuvent exploser.

Prendre toutes les précautions nécessaires lorsqu'on manipule de l'essence. Tenir l'essence hors de portée des enfants.

- Faire l'appoint de carburant avant de démarrer le moteur. Ne jamais retirer le bouchon du réservoir de carburant, ou faire l'appoint d'essence lorsque le moteur tourne ou quand le moteur est chaud.
- Faire le plein dans un endroit bien aéré, le moteur arrêté.
- Faire l'appoint de carburant dehors exclusivement, et ne pas fumer à cette occasion ni en manipulant du carburant.
- Avant de refaire le plein, laisser le moteur se refroidir. Les vapeurs d'essence ou l'essence renversée peuvent prendre feu.
- Le moteur et le système d'échappement deviennent très chauds pendant l'utilisation et le restent pendant un certain temps après l'arrêt. Un contact avec des pièces chaudes du moteur peut provoquer des brûlures et enflammer certaines matières.
- Eviter de toucher un moteur ou un système d'échappement chaud.
- Laisser le moteur se refroidir avant d'effectuer une intervention ou de ranger le motoculteur à l'intérieur.
- Bien remettre en place tous les bouchons de récipient et de réservoir d'essence.
- Ranger l'essence dans des récipients spécialement conçus dans ce but.
- Si de l'essence se trouve répandue, ne pas tenter de démarrer le moteur, mais éloigner plutôt le motoculteur de l'endroit du déversement, puis éliminer toute source de feu jusqu'à ce que les vapeurs d'essence soient dissipées.

---

## **⚠ ATTENTION**

### **Pour garantir la sécurité d'utilisation–**

#### **Danger toxique d'oxyde de carbone**

Les gaz d'échappement contiennent du monoxyde de carbone, un gaz toxique incolore et inodore. Les gaz d'échappement peuvent provoquer des évanouissements et être mortels.

- Si l'on fait tourner le moteur dans un endroit fermé ou partiellement clos, l'air respiré peut contenir une quantité dangereuse de gaz d'échappement. Pour empêcher une accumulation de gaz d'échappement, prévoir une aération appropriée.
- Remplacer le silencieux défectueux.
- Ne pas faire fonctionner le moteur dans un endroit clos ou risquent de s'accumuler des émanations dangereuses d'oxyde de carbone.

#### **Utilisation sur terrain en pente**

- Lors d'un travail sur une pente, veiller à ce que le niveau dans le réservoir de carburant ne dépasse pas la moitié pour empêcher le carburant de se renverser.
- Travailler en travers de la pente (à des intervalles régulièrement espacés) plutôt que dans le sens de la pente.
- Être très prudent lors d'un changement de direction sur une pente.
- Ne pas utiliser le motoculteur sur une pente de plus de 10° (17 %).

L'angle maximum de pente sur indiqué n'a qu'un but de référence et doit être déterminé en fonction du type de l'outil. Avant de mettre le moteur en marche, vérifier que le motoculteur n'est pas endommagé et est en bon état. Pour votre sécurité et celle des autres, faire très attention lors de l'utilisation du motoculteur en haut ou en bas d'une cote.

## 2. EMBLACEMENT DES ÉTIQUETTES DE SECURITE

Ces étiquettes ont pour objet de mettre en garde contre les risques potentiels de blessures graves. Lire attentivement ces étiquettes, de même que les avertissement et les remarques de sécurité donnés dans ce manuel.

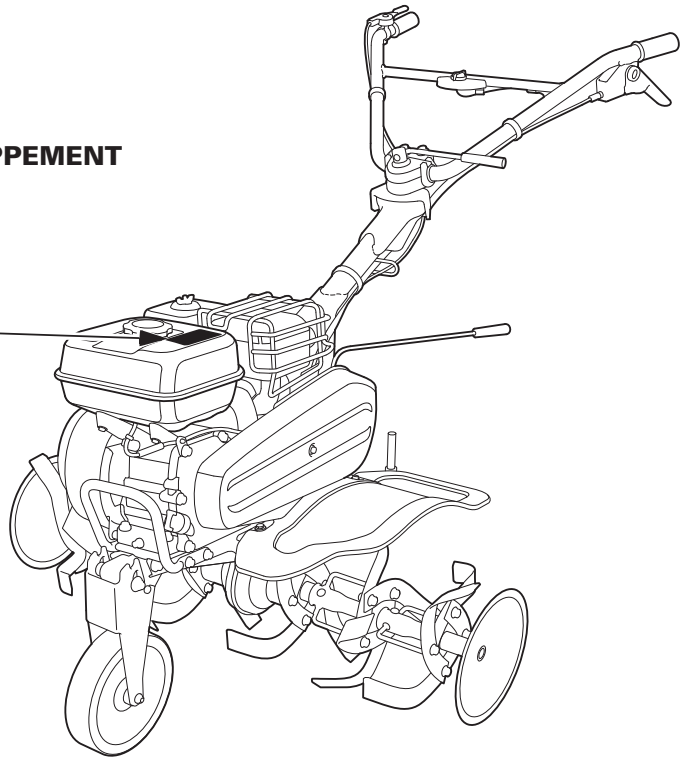
Si une étiquette se décolle ou devient illisible, adressez-vous à votre concessionnaire Honda pour son remplacement.

**LIRE LE MANUEL DU PROPRIETAIRE**

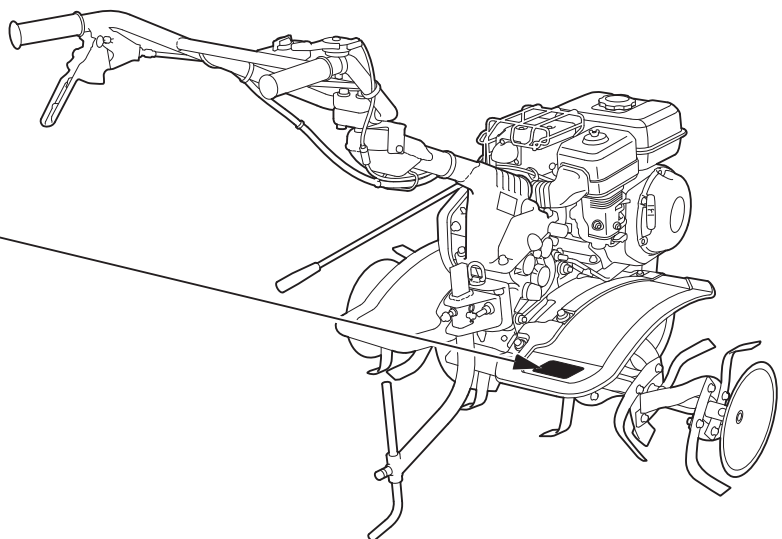
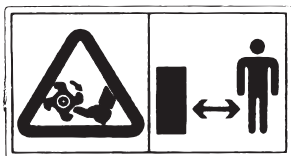
**MISE EN GARDE SUR L'ECHAPPEMENT**



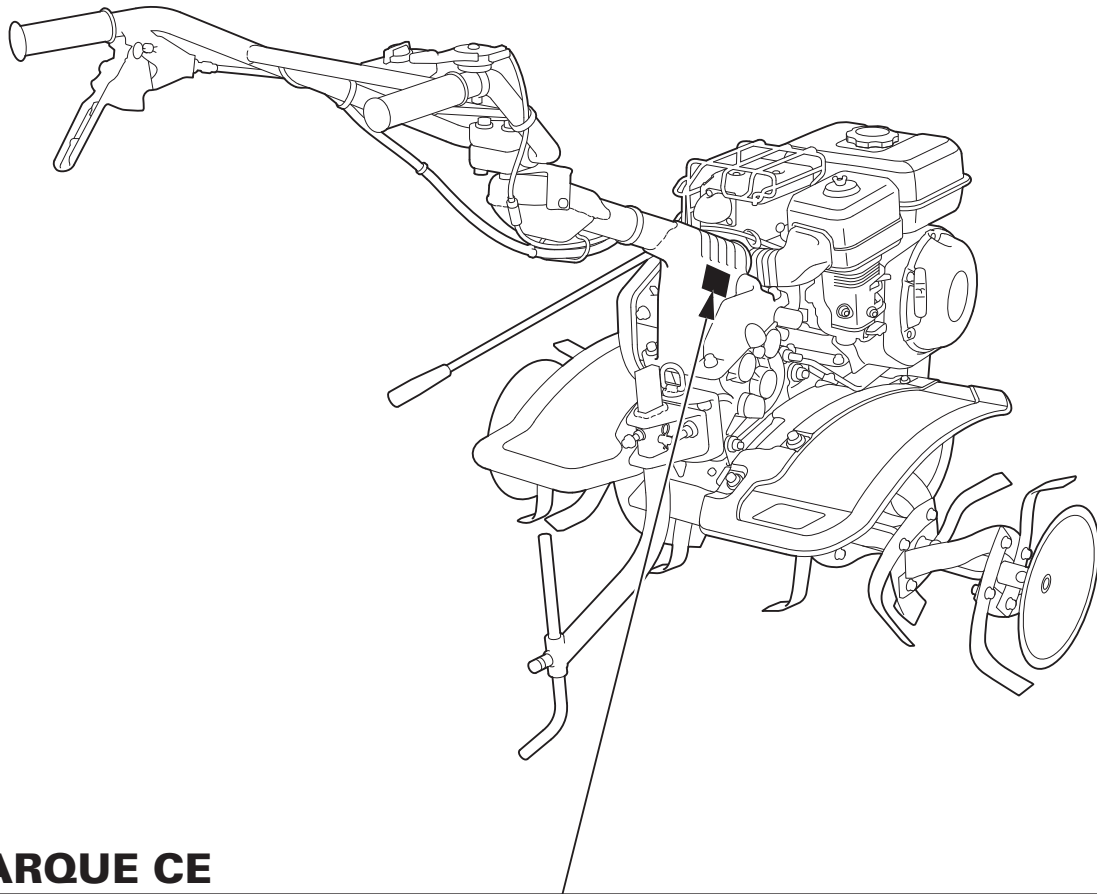
**MISE EN GARDE SUR LE  
CARBURANT**



**RISQUE DE COUPURES**



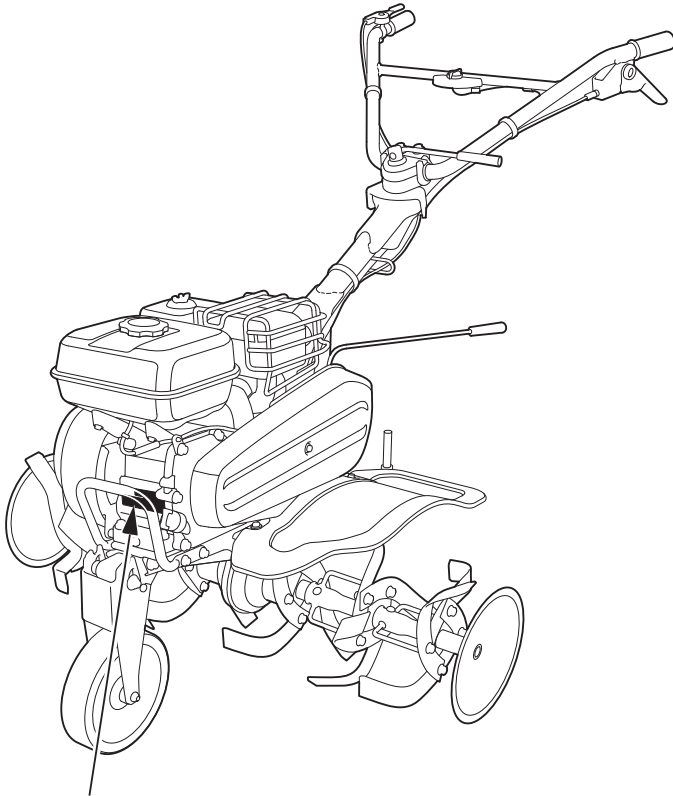
## Emplacement de la marque CE



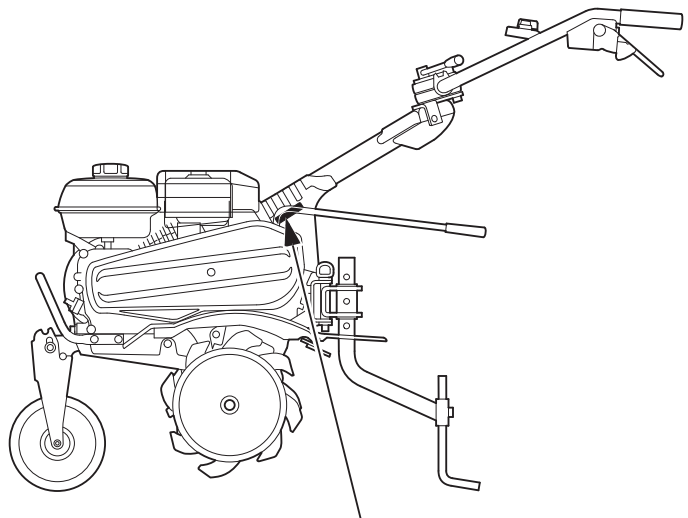
### MARQUE CE

<b>Nom et adresse du constructeur</b>		<b>Nom et adresse du représentant agréé</b>	
Jialing-Honda Motors Co., Ltd. No.1 Guan Yue South Road. Yubei District, Chongqing, CHINA		Honda Motor Europe Ltd. Aalst Office Wijngaardveld 1 (Noord V), 9300 Aalst - BELGIUM	
			<b>Année de production</b>
	kW	kg	<b>Masse de la machine (spécification standard)</b>
<b>Type DER uniquement</b>	<b>Puissance nette du moteur</b>	<b>Code de description</b>	

## Emplacements du numéro de série



**NUMERO DE SERIE  
DU MOTEUR**



**NUMERO DE SERIE DU CHASSIS**

Noter les numéros de série du châssis et du moteur dans l'espace ci-dessous.  
Ces numéros sont nécessaires pour la commande de pièces.

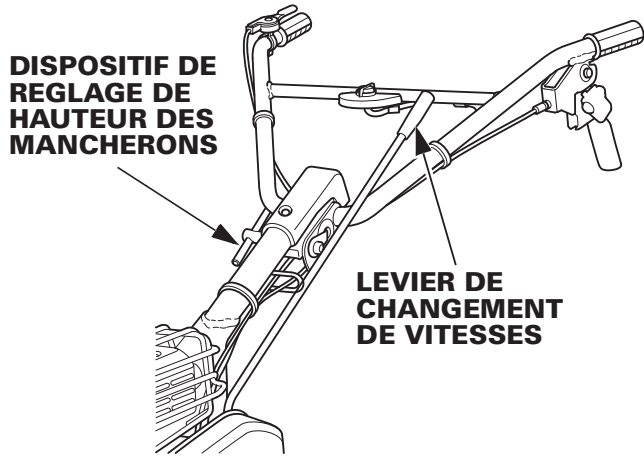
Numéro de série de châssis : \_\_\_\_\_

Numéro de série de moteur : \_\_\_\_\_



# 3. IDENTIFICATION DES COMPOSANTS

Types SE et SER :



LEVIER D'ACCELERATEUR

COMMUTATEUR DE MOTEUR

LEVIER D'EMBRAYAGE

LEVIER DE FIXATION DE MANCHERON

LEVIER DE CHANGEMENT DE VITESSES

COUVERCLE DE COURROIE

BOUCHON DE RESERVOIR DE CARBURANT

SILENCIEUX

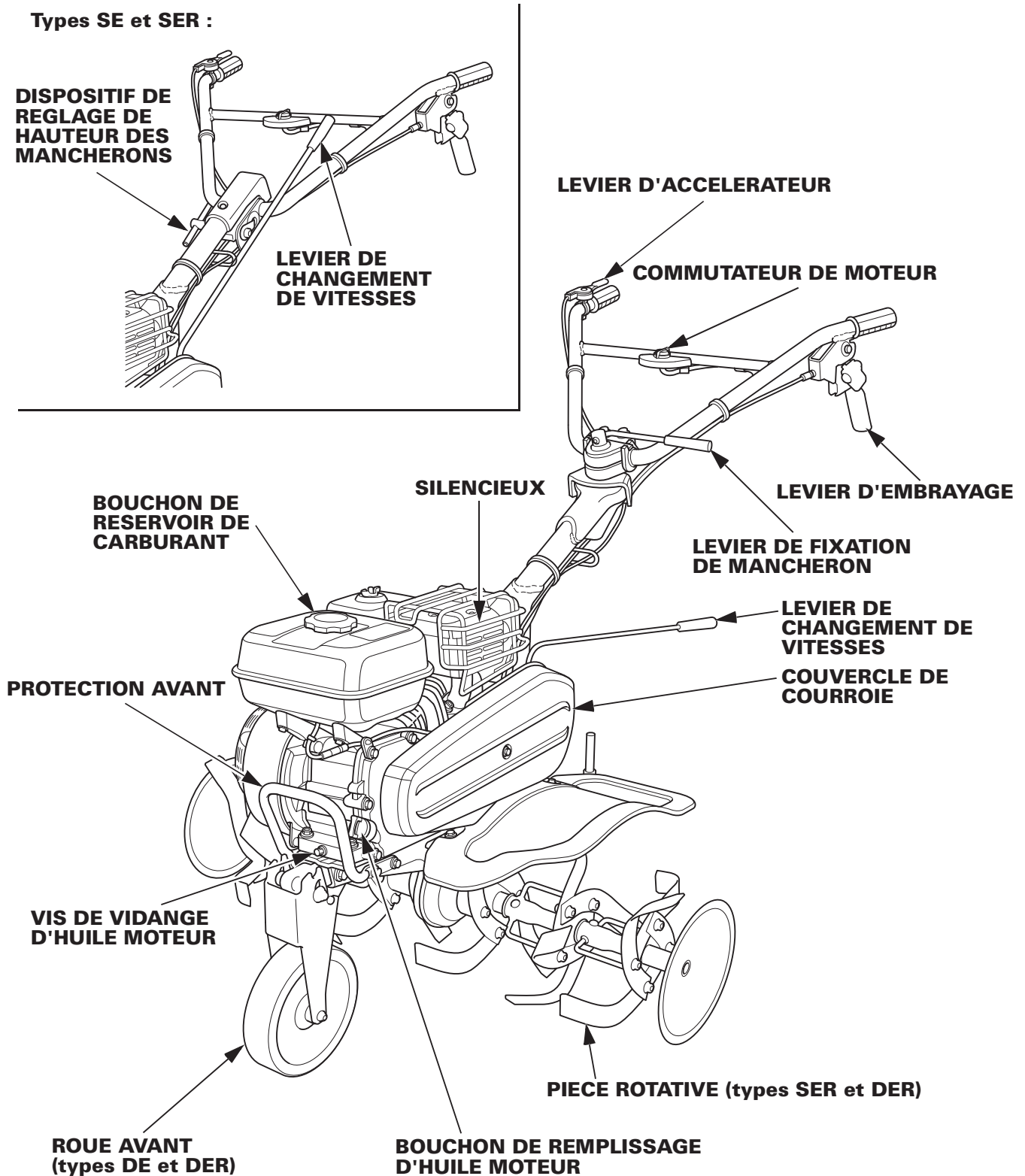
PROTECTION AVANT

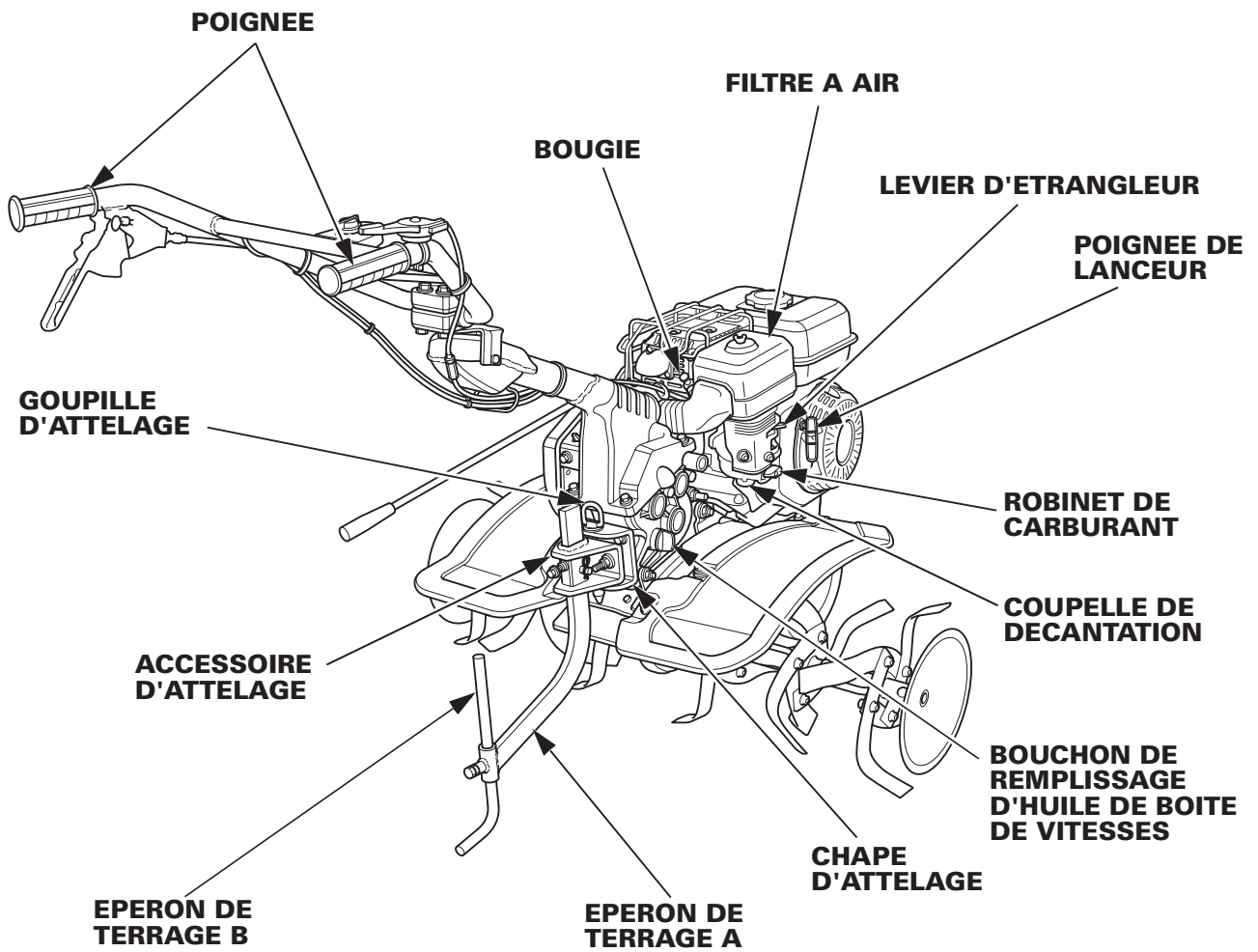
VIS DE VIDANGE D'HUILE MOTEUR

PIECE ROTATIVE (types SER et DER)

ROUE AVANT (types DE et DER)

BOUCHON DE REMPLISSAGE D'HUILE MOTEUR





## 4. CONTROLE AVANT UTILISATION

---

### **⚠ ATTENTION**

**Placer le motoculteur sur une surface de niveau et ferme, puis le maintenir horizontalement (c'est-à-dire avec les dents rotatives, la roue avant (types DE et DER) et l'éperon de terrage au sol (voir page 15)). Arrêter le moteur avant toute intervention sur le motoculteur. Ne pas effectuer une intervention avec le motoculteur sur une surface instable ou sans avoir arrêté le moteur car ceci ferait courir un risque de blessures et/ou de dommages matériels.**

Un contrôle et un entretien quotidiens sont essentiels pour la sécurité et la fiabilité de l'utilisation. Effectuer les vérifications suivantes avant l'utilisation.

#### **1. Extérieur du motoculteur**

Contrôler l'absence de fuites de carburant et d'huile moteur.

S'assurer de l'absence de matières inflammables (poussière, paille, etc.) à proximité du moteur.

#### **2. Fonctionnement du levier de commande**

S'assurer que le levier fonctionne sans contrainte.

#### **3. Faisceaux et câblage**

Vérifier que l'isolant de chacun des fils et câbles n'est pas déchiré ou coupé. Vérifier qu'aucun fil ou câble n'est pincé par des pièces voisines.

#### **4. Fonctionnement du moteur**

- Démarrer le moteur. Rechercher tout bruit anormal. (Pour la procédure de démarrage, voir pages 23 à 25.)
- Vérifier que le moteur s'arrête correctement après actionnement du commutateur de moteur. (Pour la procédure d'arrêt, voir pages 37 à 39.)
- En cas de constat d'autres symptômes anormaux, consulter rapidement le concessionnaire Honda agréé.

#### **5. Vis et écrous**

Vérifier si pièces fixées sont serrées. Bien resserrer toutes les pièces desserrées.

## 6. Huile moteur

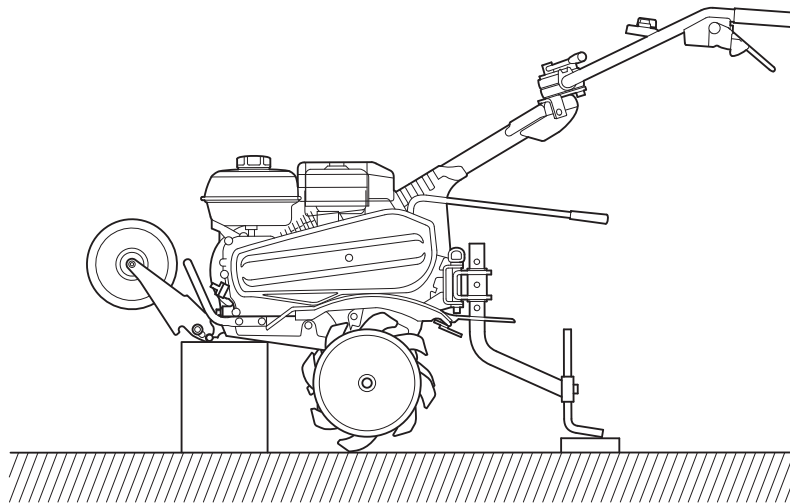
### PRECAUTION :

**L'utilisation du moteur avec une quantité d'huile insuffisante peut l'endommager sérieusement.**

#### 1. Types DE et DER :

Placer la roue avant en position UP (voir page 34).

2. Stationner sur un terrain horizontal, couper le moteur, placer un support adapté sous le châssis avant et placer une cale en bois sous la barre d'attelage, comme illustré, pour maintenir le motoculteur à l'horizontale.

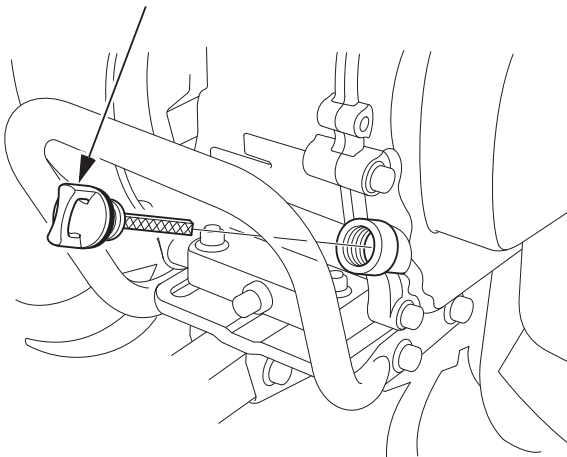


3. Déposer le bouchon de remplissage d'huile.

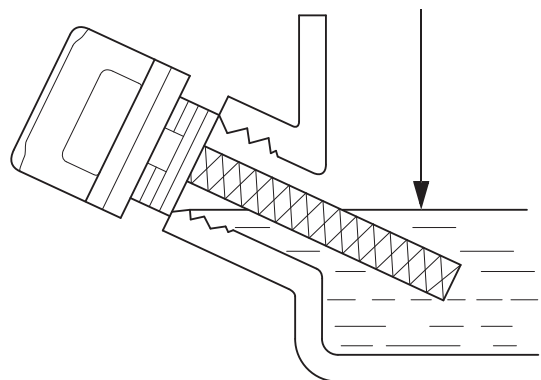
4. Contrôler le niveau d'huile. Si le niveau est inférieur à la limite maximale, faire le plein d'huile recommandée jusqu'à la limite maximale (voir page 16).

5. Reposer fermement le bouchon de remplissage d'huile.

#### BOUCHON DE REPLISSAGE D'HUILE



#### REPERE DE NIVEAU MAXI.



---

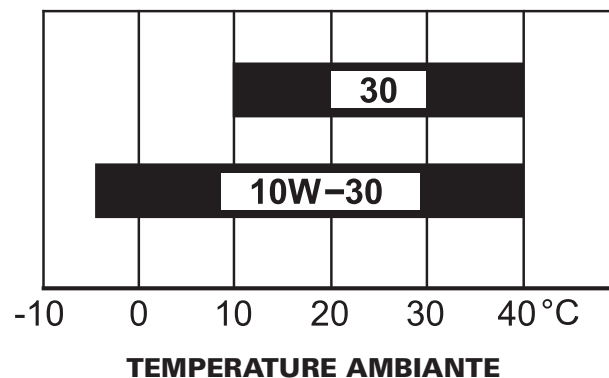
## Huile préconisée

Utiliser une huile moteur 4 temps répondant ou dépassant les prescriptions pour la classe service API SE ou ultérieure (ou équivalente). Toujours vérifier l'étiquette de service API sur le bidon d'huile pour s'assurer qu'elle porte bien la mention SE ou ultérieure (ou équivalente).

### **PRECAUTION :**

**L'emploi d'huile non détergente ou d'huile moteur à 2 temps abrégera la vie utile du moteur.**

L'indice SAE 10W-30 est préconisé pour un usage général. Les autres viscosités indiquées dans le tableau peuvent être utilisées lorsque la température moyenne du lieu d'utilisation se trouve dans la plage indiquée.



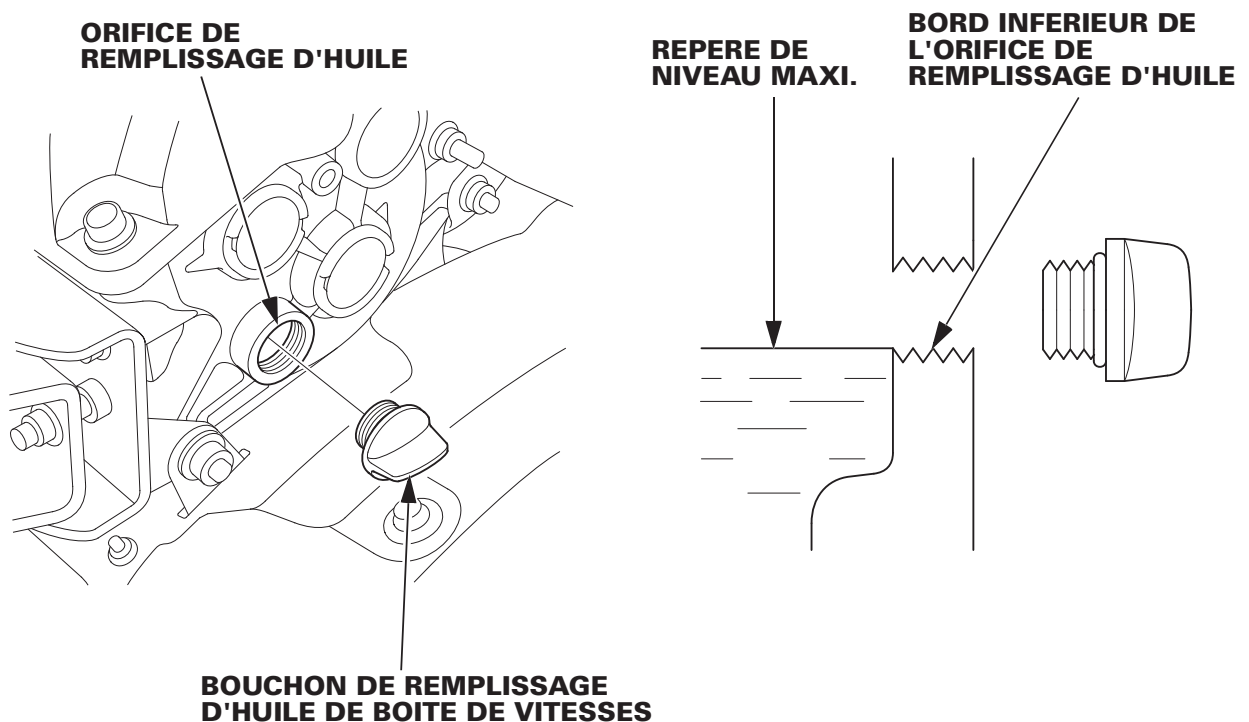
## 7. Huile d'engrenage de boîte de vitesse

Placer la machine sur une surface horizontale et retirer le bouchon de remplissage d'huile.

L'huile doit affleurer le rebord inférieur de l'orifice de remplissage d'huile. Si le niveau est bas, faire l'appoint d'huile recommandée.

### Huile préconisée

Utiliser une huile moteur 4 temps 10W-30 répondant ou dépassant les prescriptions pour la classification service API SE ou ultérieure (ou équivalente). Toujours vérifier l'étiquette de service API sur le bidon d'huile pour s'assurer qu'elle porte bien la mention SE ou ultérieure (ou équivalente).



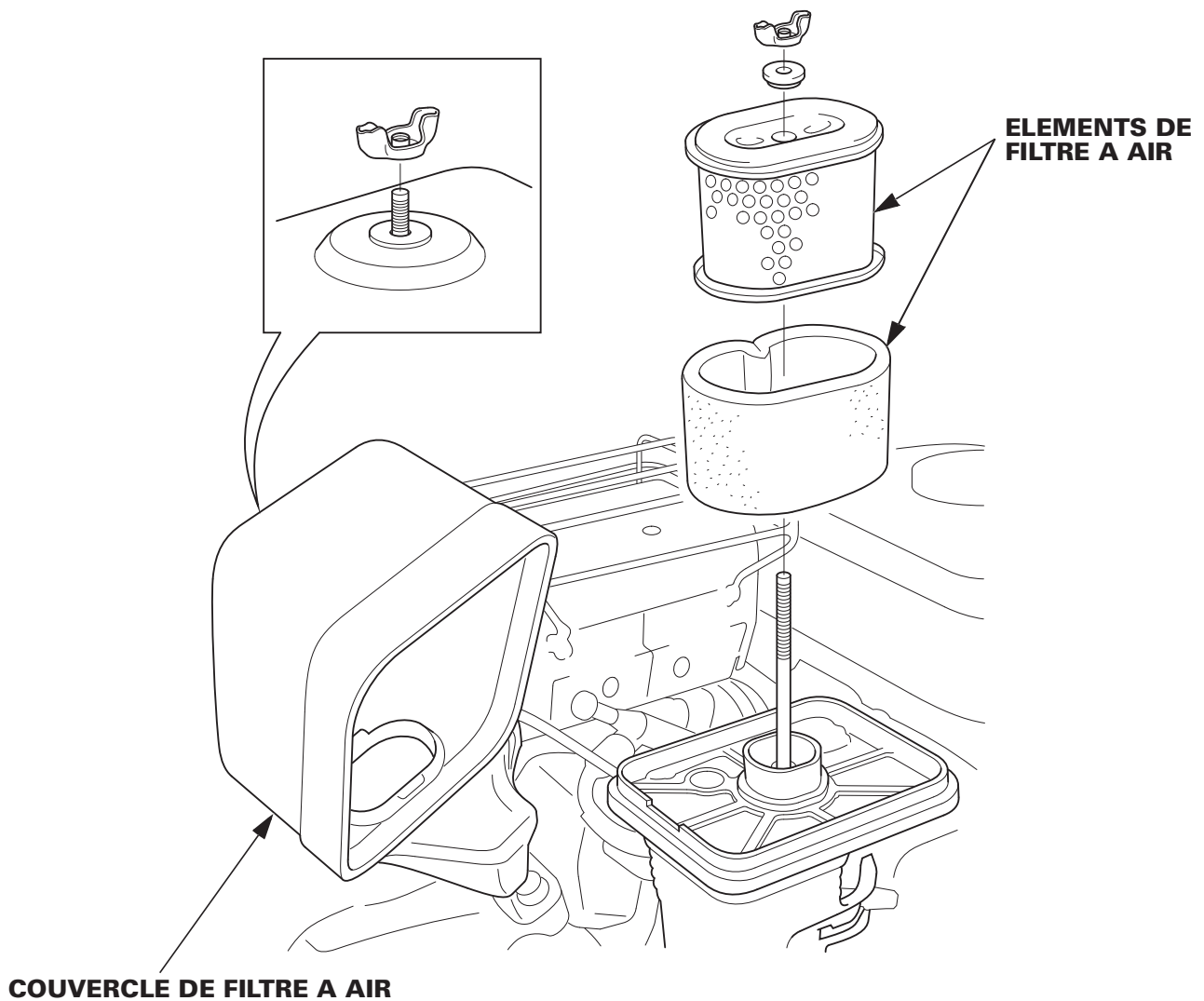
## 8. Filtre à air

### PRECAUTION :

**Ne jamais faire tourner le moteur sans filtre à air. Sinon, une usure rapide du moteur pourrait en résulter.**

Retirer le couvercle de filtre à air.

Vérifier si les éléments de filtre à air ne sont pas sales ou colmatés. Les nettoyer si nécessaire (voir page 43).



## 9. Carburant

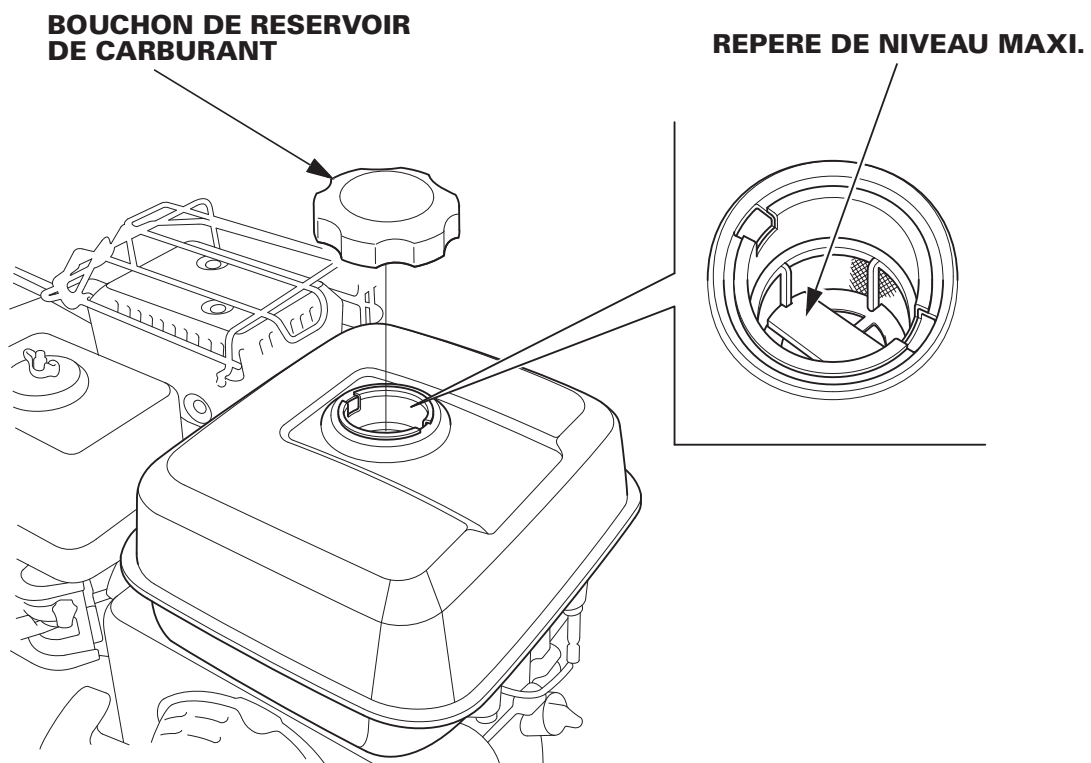
Vérifier l'indicateur de niveau d'essence et remplir le réservoir si le niveau d'essence est bas.

Utiliser de l'essence sans plomb ayant un indice d'octane recherché d'au moins 91 (ou un indice d'octane pompe d'au moins 86).

Ne jamais utiliser d'essence éventée ou polluée ni un mélange d'huile/essence. Eviter toute pénétration d'impuretés ou d'eau dans le réservoir de carburant.

### ⚠ ATTENTION

- **L'essence est hautement inflammable et peut exploser dans certaines conditions.**
- **Faire le plein dans un endroit bien aéré, le moteur arrêté. Ne pas fumer ou approcher de flammes vives ou d'étincelles près du lieu où plein est effectué et près du lieu de stockage de l'essence.**
- **Ne pas trop remplir le réservoir (il ne doit pas y avoir d'essence dans le goulot de remplissage). Après avoir fait le plein, vérifier que le bouchon du réservoir est correctement fermé.**
- **Faire attention à ne pas renverser d'essence pendant le remplissage du réservoir. Des vapeurs d'essence ou de l'essence renversée peuvent s'enflammer. Avant de mettre le moteur en marche, s'assurer que l'essence renversée a séché et que les vapeurs sont dissipées.**
- **Eviter le contact direct de l'essence sur la peau ou de respirer les vapeurs. TENIR HORS DE PORTEE DES ENFANTS.**





---

## REMARQUE :

L'essence se dégrade très rapidement sous l'effet de facteurs tels qu'exposition à la lumière, la température et le temps.

Au pire des cas, l'essence peut être contaminée en moins de 30 jours.

L'utilisation d'essence contaminée peut endommager sérieusement le moteur (obstruction du carburateur, grippage des soupapes).

Les dommages dus au carburant dégradé ne sont pas couverts par la garantie.

Pour éviter ceci, observer rigoureusement ces recommandations :

- N'utiliser que l'essence spécifiée (voir page 19).
- Utiliser de l'essence fraîche et propre.
- Pour ralentir la dégradation, conserver l'essence dans un récipient de carburant certifié.
- Avant un long remisage (plus de 30 jours), vidanger le réservoir de carburant et le carburateur (voir page 61).

## Essences contenant de l'alcool

Si l'on décide d'utiliser une essence contenant de l'alcool ("essence-alcool"), s'assurer que son indice d'octane est au moins égal à l'indice recommandé. Il existe deux types "d'essence-alcool" : le premier contient de l'éthanol, le second du méthanol.

Ne pas utiliser une essence alcool contenant plus de 10% d'éthanol.

Ne pas utiliser une essence contenant plus de 5% de méthanol (alcool méthylique ou alcool de bois) ou une essence contenant du méthanol, à moins qu'elle ne contienne également des cosolvants et des inhibiteurs de corrosion pour méthanol.

## REMARQUE :

- Les dommages du système d'alimentation en carburant ou les problèmes de performances du moteur résultant de l'utilisation d'une essence contenant plus d'alcool que ce qui est recommandé ne sont pas couverts par la garantie.
- Avant de se ravitailler dans une station-service que l'on connaît mal, essayer de savoir si l'essence contient de l'alcool, quel est le type d'alcool utilisé et dans quel pourcentage.

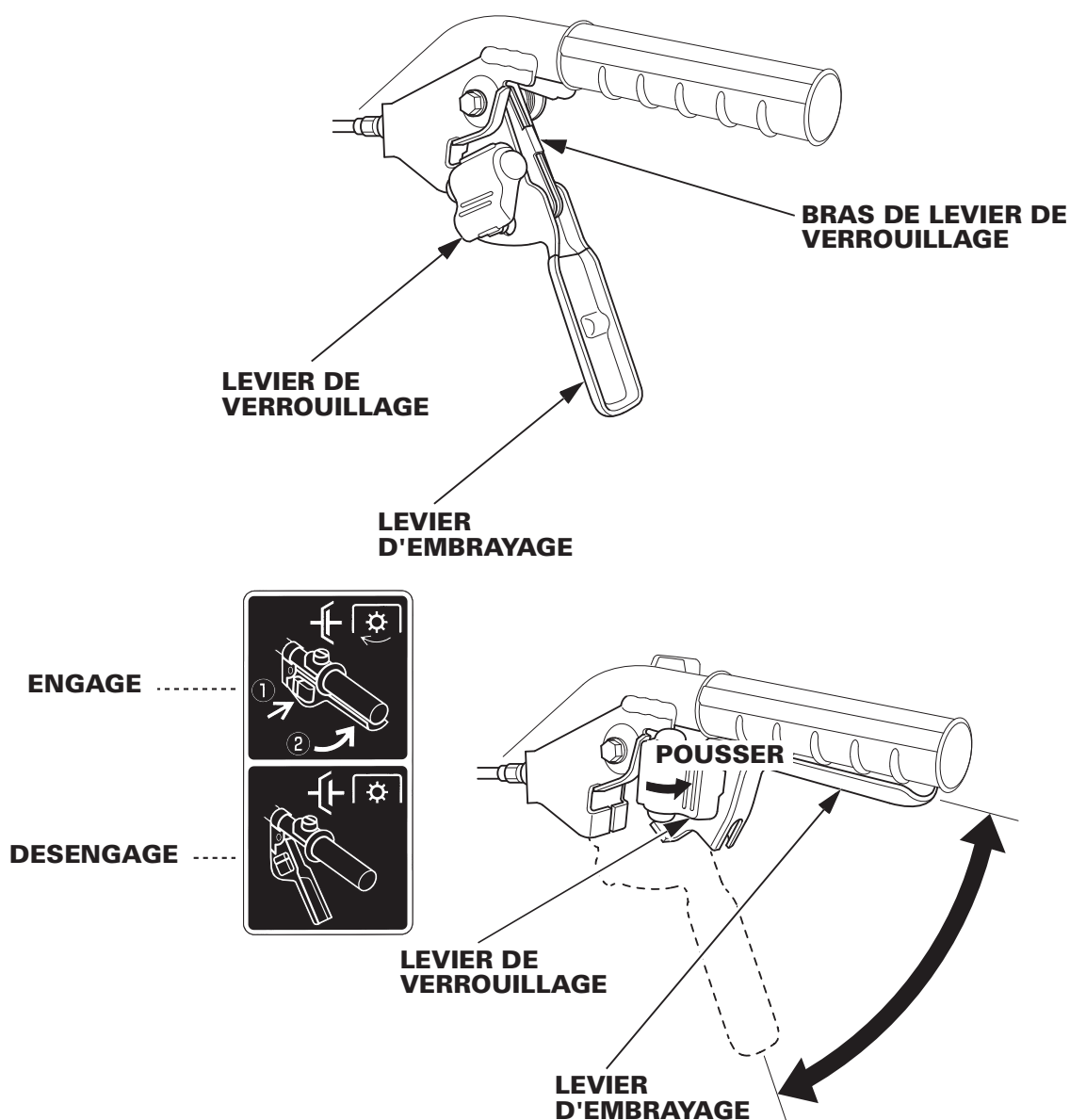
En cas d'anomalies de fonctionnement lors de l'utilisation d'une essence particulière, revenir à une essence que l'on sait ne pas contenir plus d'alcool que la quantité recommandée.

## 10. Levier d'embrayage

Avant de vérifier le fonctionnement, s'assurer qu'aucun objet étranger (sable, terre, brindilles, etc.) n'est pris autour du levier d'embrayage, du levier de verrouillage et/ou du bras de levier de verrouillage.

Vérifier que le levier de verrouillage et le levier d'embrayage fonctionnent en douceur en poussant le levier de verrouillage et en serrant le levier d'embrayage.

Si le levier de verrouillage et le levier d'embrayage ne fonctionnent pas en douceur, ou si l'embrayage s'engage en serrant le levier d'embrayage sans pousser le levier de verrouillage, démonter et nettoyer le levier d'embrayage (voir page 50).



---

## **11. Outils et accessoires**

Pour installer un outil ou accessoire sur le motoculteur, suivre les instructions fournies avec l'outil ou l'accessoire. Demander conseil auprès de votre revendeur Honda en cas de problème ou de difficulté à installer un outil ou un accessoire.

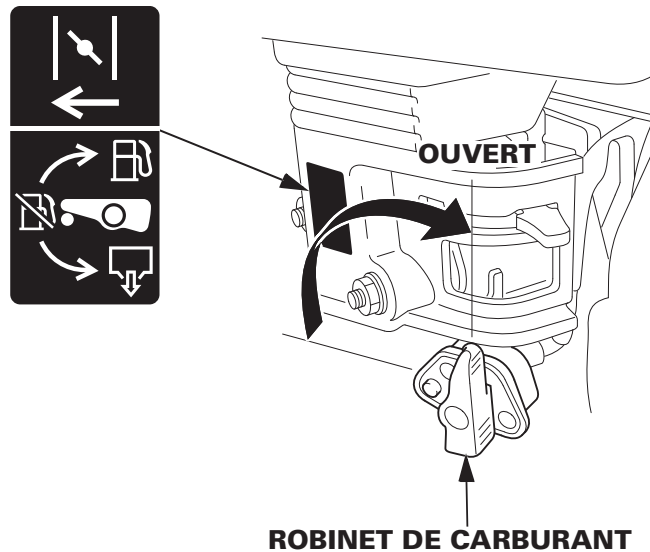
# 5. MISE EN MARCHÉ DU MOTEUR

## PRECAUTION :

S'assurer que l'embrayage est désengagé et que le levier de vitesses se trouve au point-mort afin d'éviter un mouvement incontrôlé lors du démarrage du moteur.

Embrayer en tirant le levier d'embrayage vers l'intérieur, puis débrayer en libérant le levier.

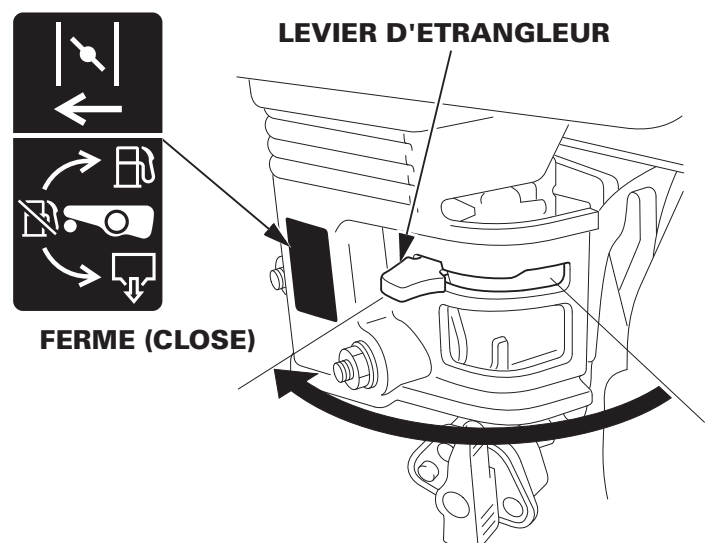
1. Tourner le robinet de carburant sur la position "ON" (ouvert).



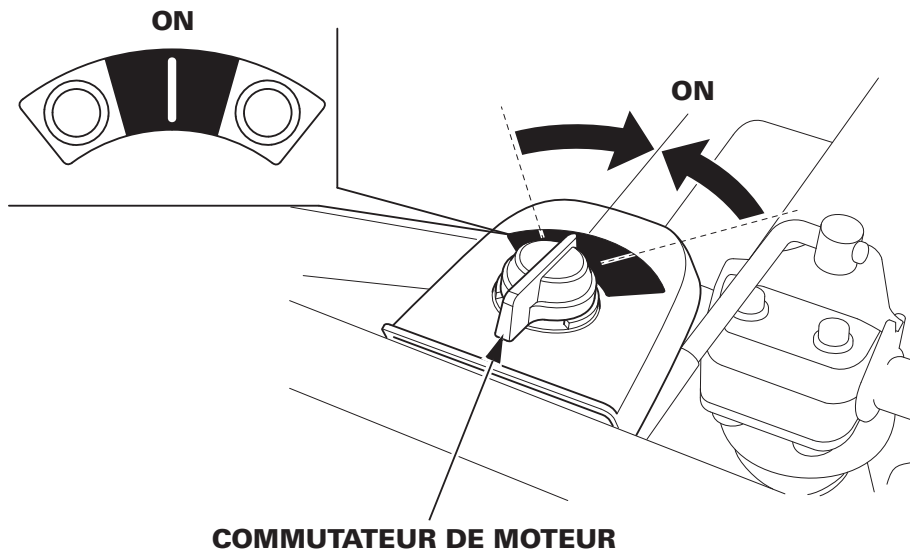
2. Par temps froid et si le moteur est froid, tirer sur le levier de starter pour l'amener à la position fermée (CLOSE).

## REMARQUE :

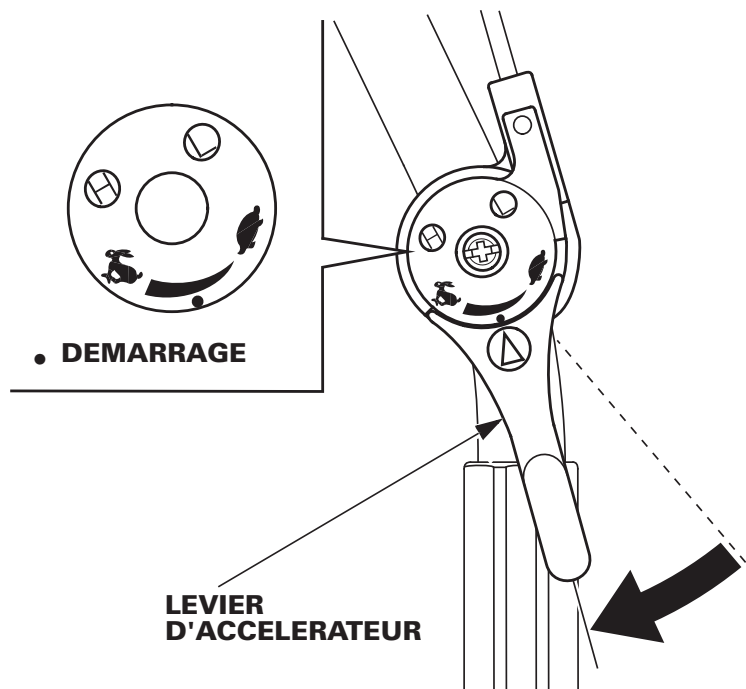
Ne pas utiliser le starter si le moteur est déjà chaud ou si la température d'air ambiante est élevée.



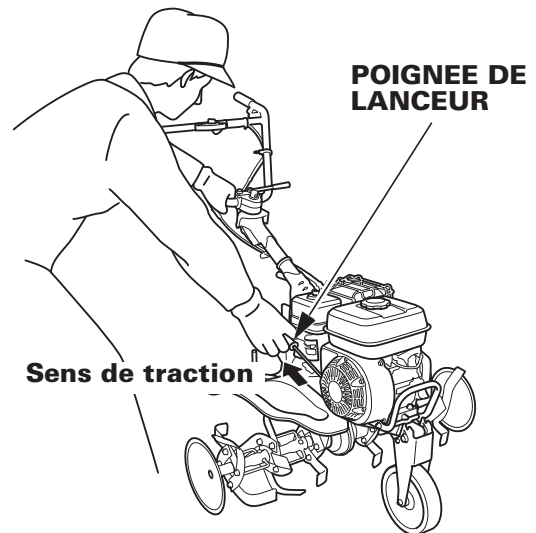
3. Placer le commutateur du moteur sur la position ON (Marche).



4. Aligner le repère "△" du levier des gaz sur le repère "●" (position DEMARRAGE) comme sur la figure.

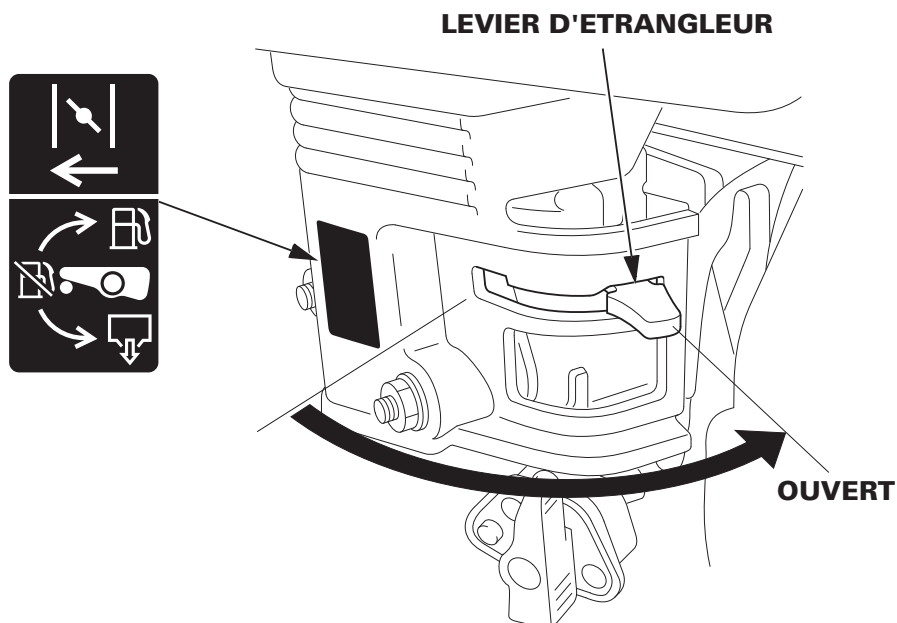


5. Tirer doucement la poignée de lanceur jusqu'à ressentir une résistance, puis accompagner la poignée de lanceur en arrière. Tenir le mancheron de la main gauche et tirer la poignée de lanceur d'un coup sec dans le sens de la flèche comme sur la figure.



**PRECAUTION :**  
**Ne pas laisser la poignée de lanceur revenir brutalement contre le moteur. La ramener lentement pour éviter d'endommager le démarreur.**

6. Laisser le moteur s'échauffer pendant quelques minutes. Si le levier d'étrangleur se trouve sur la position CLOSE, le déplacer progressivement sur la position OPEN à mesure que le moteur s'échauffe.



---

## **Modification du carburateur pour une utilisation à haute altitude**

A haute altitude, le mélange air-carburant du carburateur standard est trop riche. Les performances diminuent et la consommation augmente. Un mélange très riche encrasse aussi la bougie et rend difficile le démarrage. L'utilisation à une altitude différente de celle à laquelle le moteur a été certifié, pendant une durée prolongée, peut augmenter la pollution.

Il est possible d'améliorer les performances à haute altitude par des modifications spécifiques du carburateur. Si l'on utilise toujours le motoculteur à des altitudes supérieures à 1 500 mètres, demander au service après-vente d'effectuer ces modifications du carburateur. Ce moteur, quand il est utilisé à haute altitude avec les modifications de carburateur correspondantes, est conforme à toutes les normes antipollution pendant toute sa durée de vie utile.

Même avec la modification du carburateur, la puissance du moteur diminue d'environ 3,5 % par 300 mètres d'altitude supplémentaire. L'effet de l'altitude sur la puissance est plus important sans les modifications du carburateur.

### **PRECAUTION :**

**Quand le carburateur a été modifié pour fonctionnement à haute altitude, le mélange air-carburant est trop pauvre pour utilisation à basse altitude. L'utilisation à des altitudes inférieures à 1 500 mètres avec un carburateur modifié peut provoquer une surchauffe du moteur et entraîner d'importants dommages du moteur. Pour une utilisation à basse altitude, faire remettre le carburateur aux spécifications d'usine d'origine par le concessionnaire.**

# 6. UTILISATION DU MOTOCULTEUR

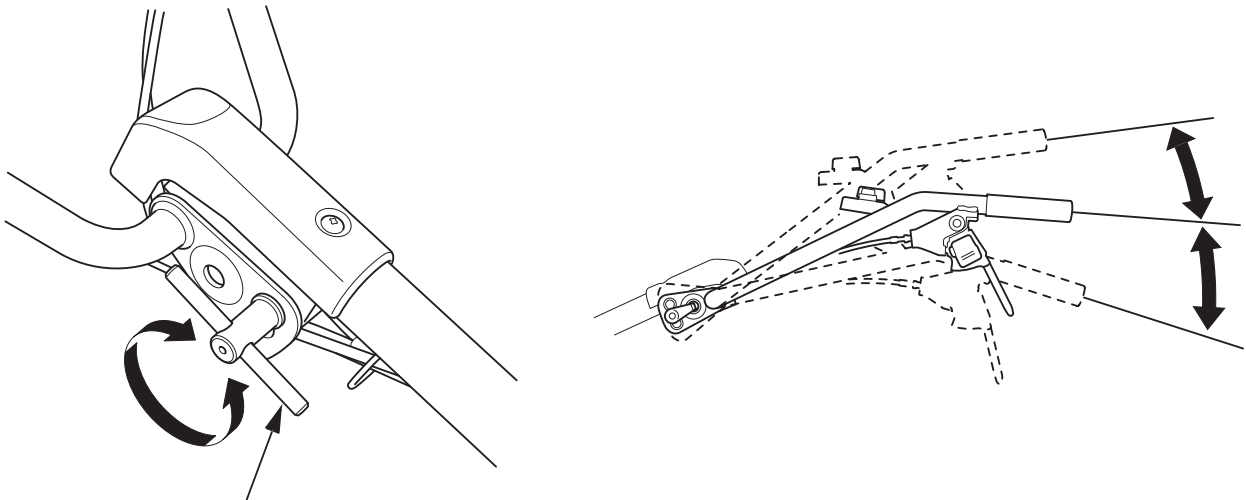
## 1. Réglage de la hauteur des mancherons

### PRECAUTION :

**Avant d'ajuster les mancherons, placer le motoculteur sur un sol ferme et de niveau pour éviter que les mancherons ne s'affaissent accidentellement.**

Types SE et SER :

Pour régler la hauteur des mancherons, desserrer le dispositif de réglage de hauteur de mancheron, sélectionner le trou approprié et serrer.

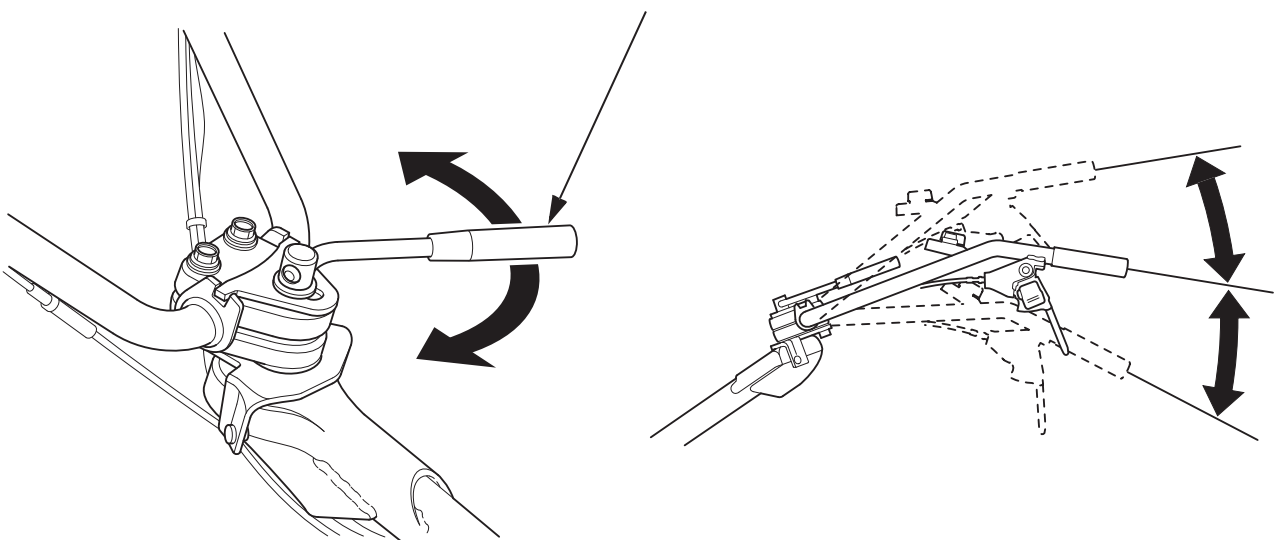


**DISPOSITIF DE REGLAGE DE HAUTEUR DES MANCHERONS**

Types DE et DER :

Pour régler la hauteur des mancherons, desserrer le levier de fixation de mancheron, déplacer le mancheron vers la position désirée, et serrer le levier.

**LEVIER DE FIXATION DE MANCHERON**



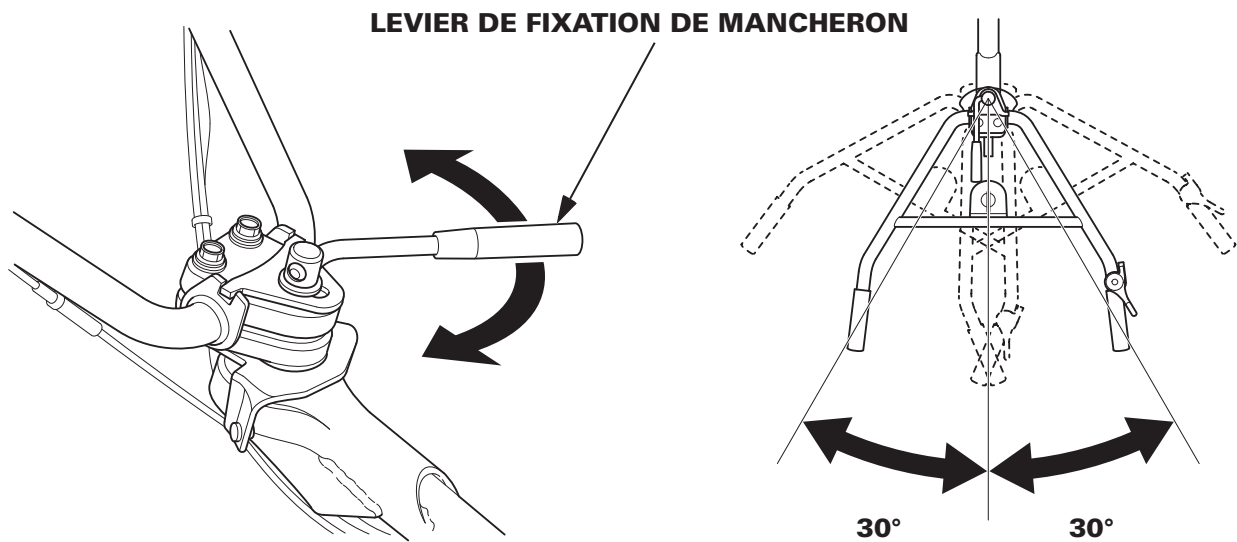


## 2. Réglage de l'angle de guidon

Types DE et DER :

Si le réglage de l'angle de mancheron est nécessaire, desserrer le levier de fixation de mancheron, déplacer le mancheron vers une position requise, et serrer le levier.

Le mancheron peut basculer dans un balayage de 30° à partir du centre la droite et la gauche chacun.



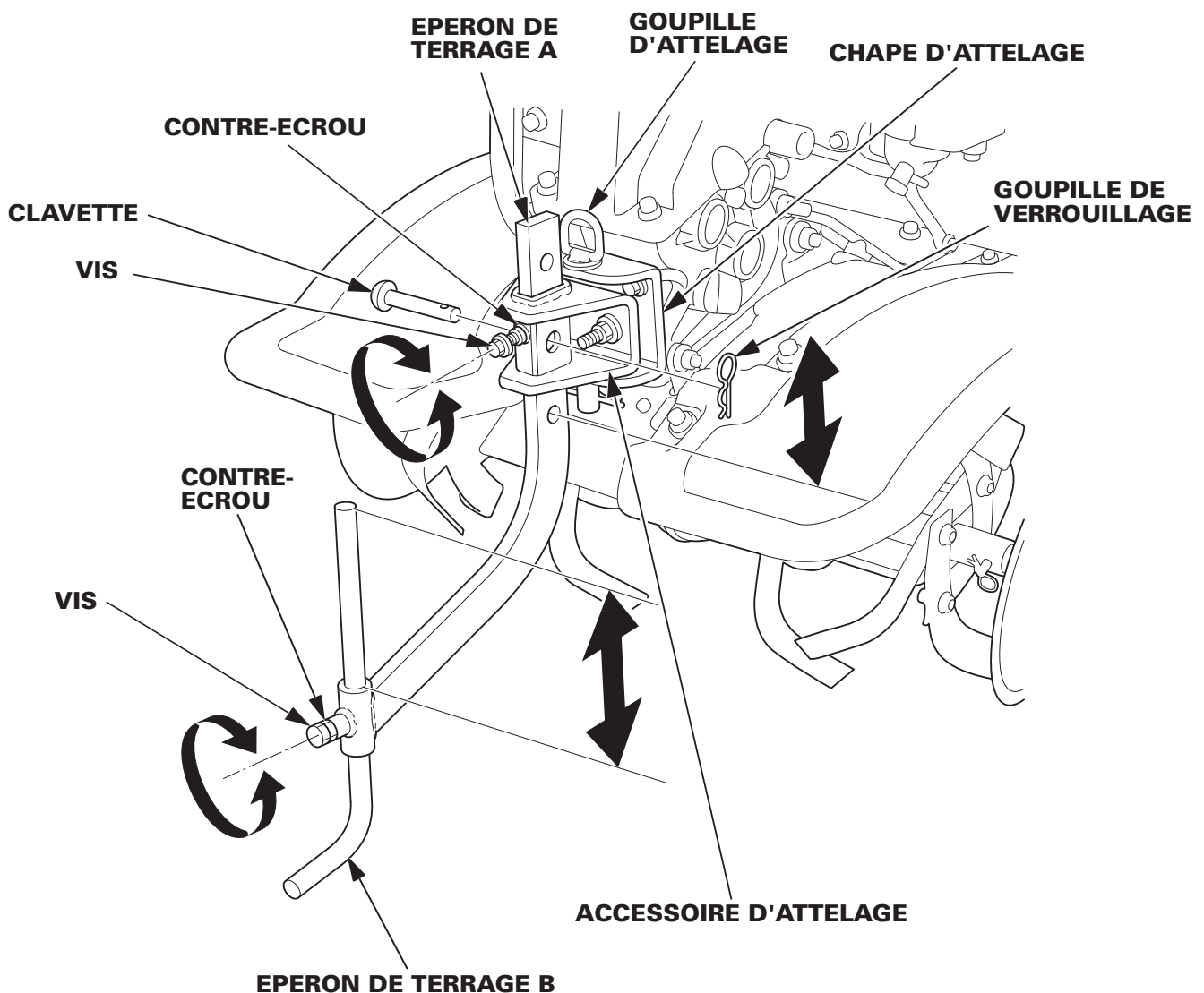
### 3. Réglage de la profondeur de sillon

Mettre l'accessoire d'attelage en place dans la boîte d'attelage avec une goupille d'attelage.

Le réglage de la profondeur de labours peut être effectué de la manière suivante :

Déposer la goupille de verrouillage et la clavette, desserrer les contre-écrous et vis maintenant les éperons de terrage A et B, puis faire glisser les éperons de terrage vers le haut ou le bas. Après le réglage, resserrer les vis et contre-écrous à fond.

Insérer la goupille et régler la goupille de blocage.



## 4. Fonctionnement de l'embrayage

L'embrayage embraille et débraille la puissance en provenance du moteur vers la transmission.

### **PRECAUTION :**

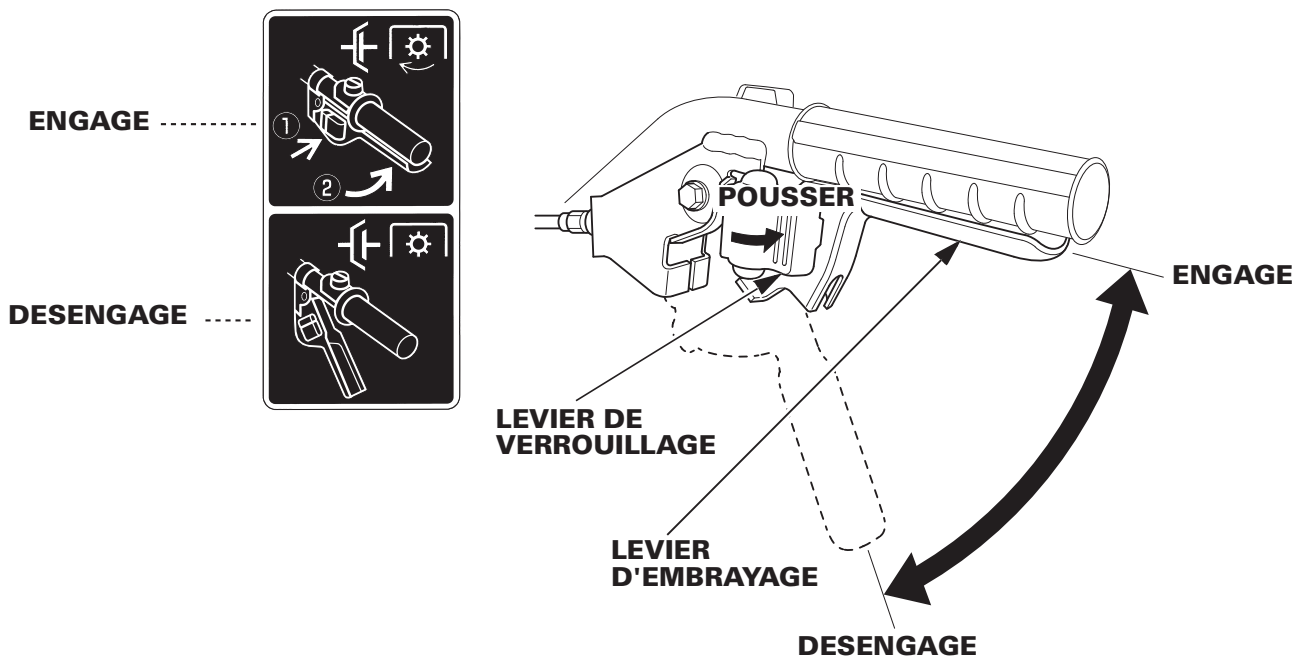
**Réduire le régime du moteur avant d'actionner l'embrayage.**

Engager :

1. Appuyer et maintenir le levier de verrouillage en position.
2. Serrer le levier d'embrayage.
3. L'embrayage est engagé, relâcher le levier de verrouillage.

Désengager :

Relâcher le levier d'embrayage.



## 5. Sélection des rapports

### **PRECAUTION :**

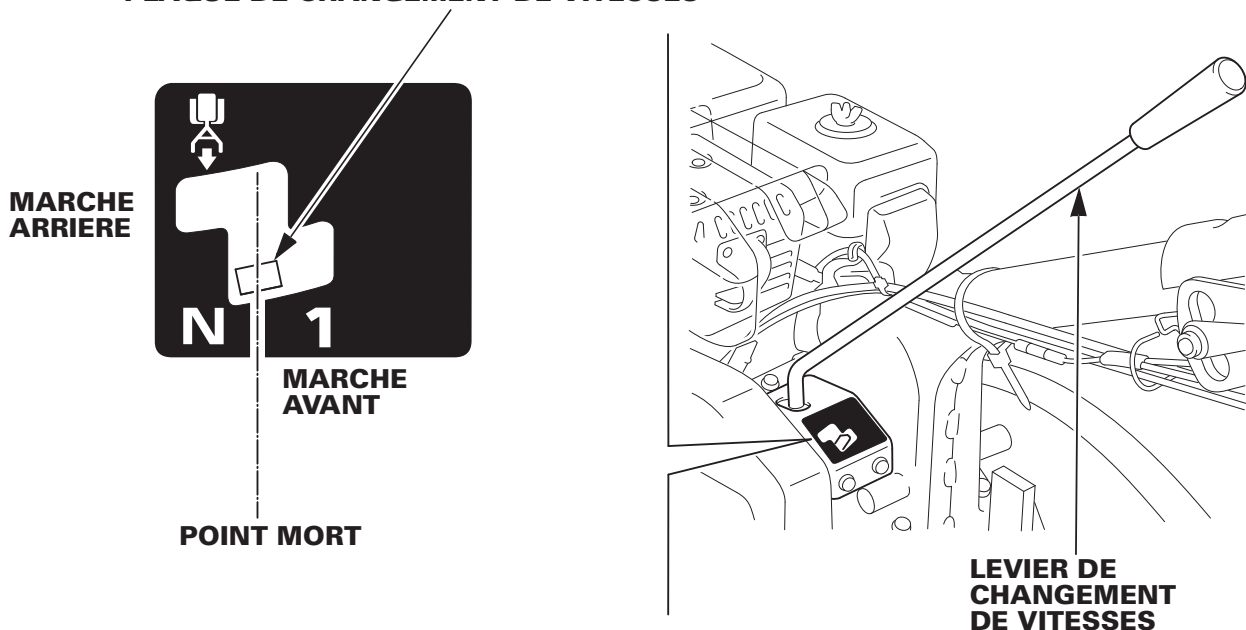
**Ramener le levier de commande des gaz vers la position basse et désengager l'embrayage avant de déplacer le levier de sélection. Eviter d'utiliser une force excessive sur le levier de sélection.**

Sélectionner une position de rapport conformément au contenu du tableau de sélection de rapport.

- Toujours actionner le levier de sélection après avoir désengagé l'embrayage.
- Si le levier de sélection est difficile à actionner, serrer une nouvelle fois l'embrayage, puis le désengager et actionner à nouveau le levier de sélection.
- En marche arrière, faire très attention aux pieds, et observer les précautions suivantes :
  1. Vérifier qu'il n'y a ni personne ni obstacle derrière soi.
  2. Réduire le régime moteur.
  3. Tenir des deux mains le mancheron, et bien le soutenir.
  4. Engager doucement l'embrayage, et vérifier qu'il peut être à tout moment désengagé.

Types SE et SER :

### **PLAQUE DE CHANGEMENT DE VITESSES**



Types DE et DER :

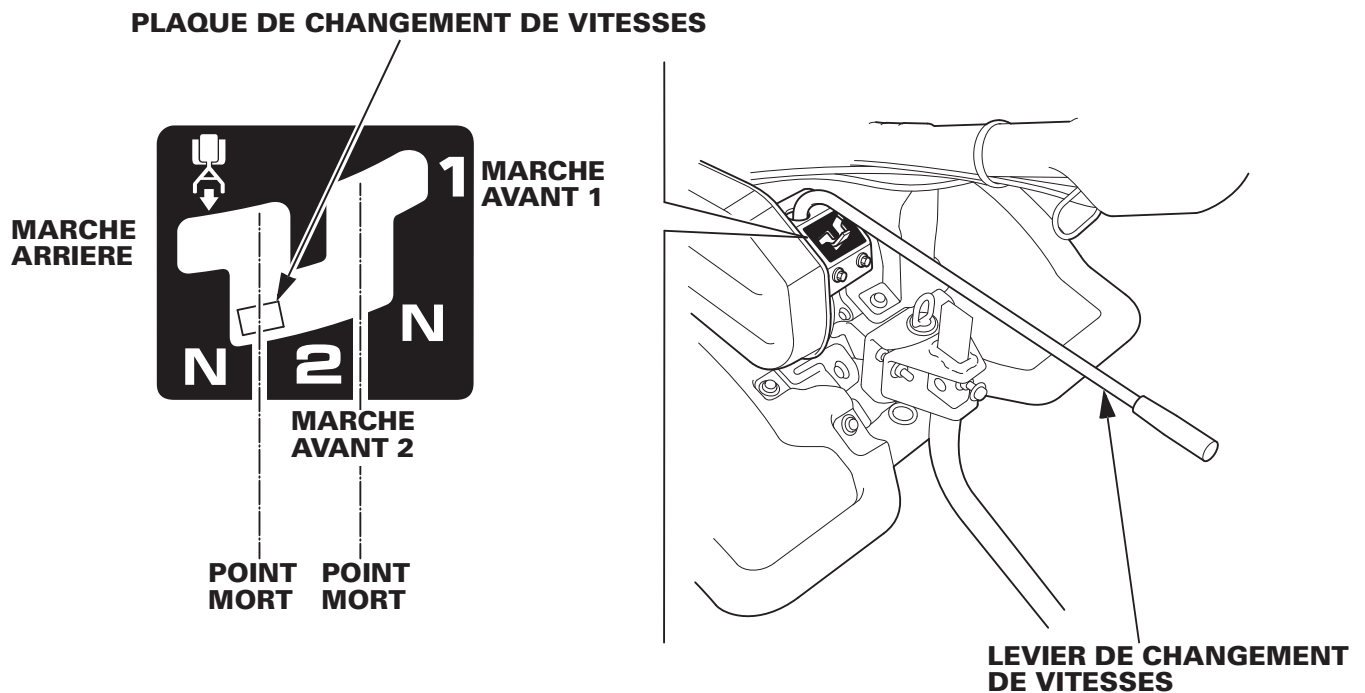
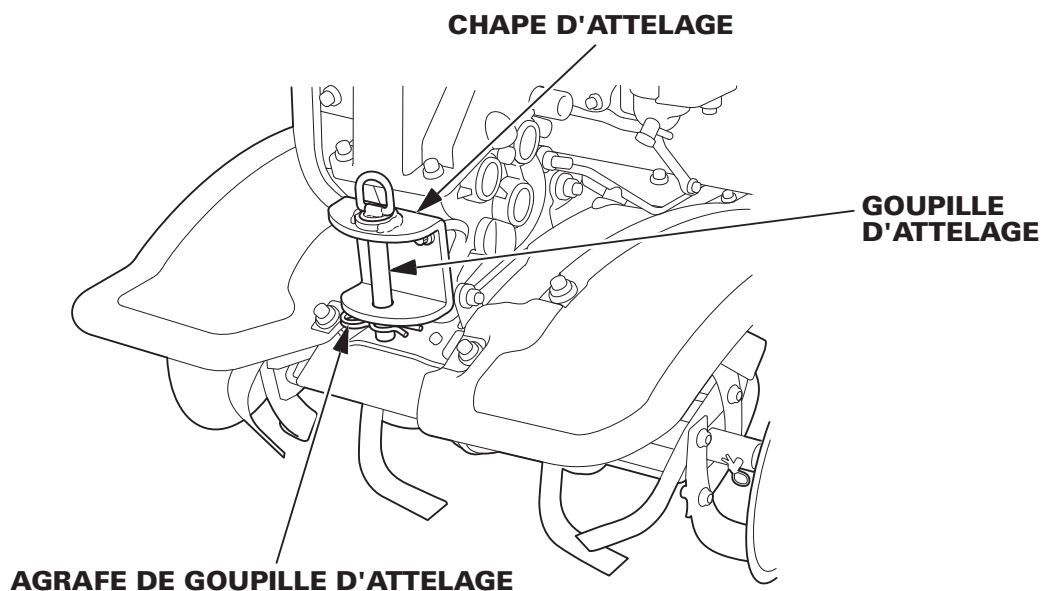


Tableau de sélection de rapport (Lorsque le régime moteur est de 3 600 tr/mn)

Position de rapport	Vitesse de la pièce rotative		Travail adapté
	SE, SER	DE, DER	
1	112,9 tr/min	79,5 tr/min	Déplacement du motoculteur, chargement du motoculteur sur un camion, mise en place du motoculteur dans un champ ou retrait du motoculteur d'un champ.
2		112,9 tr/min	Déplacement du motoculteur, chargement du motoculteur sur un camion, mise en place du motoculteur dans un champ ou retrait du motoculteur d'un champ.
Marche arrière	28,0 tr/min	28,0 tr/min	Déplacement du motoculteur

## 6. Utilisation de la chape de remorquage

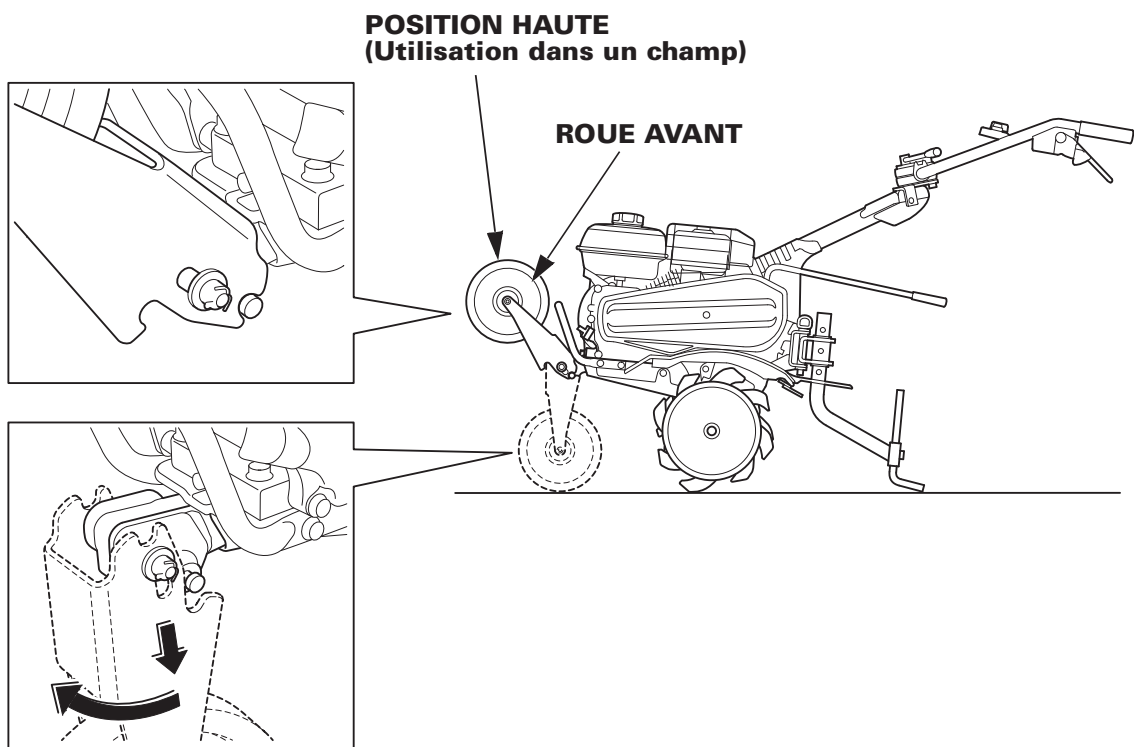
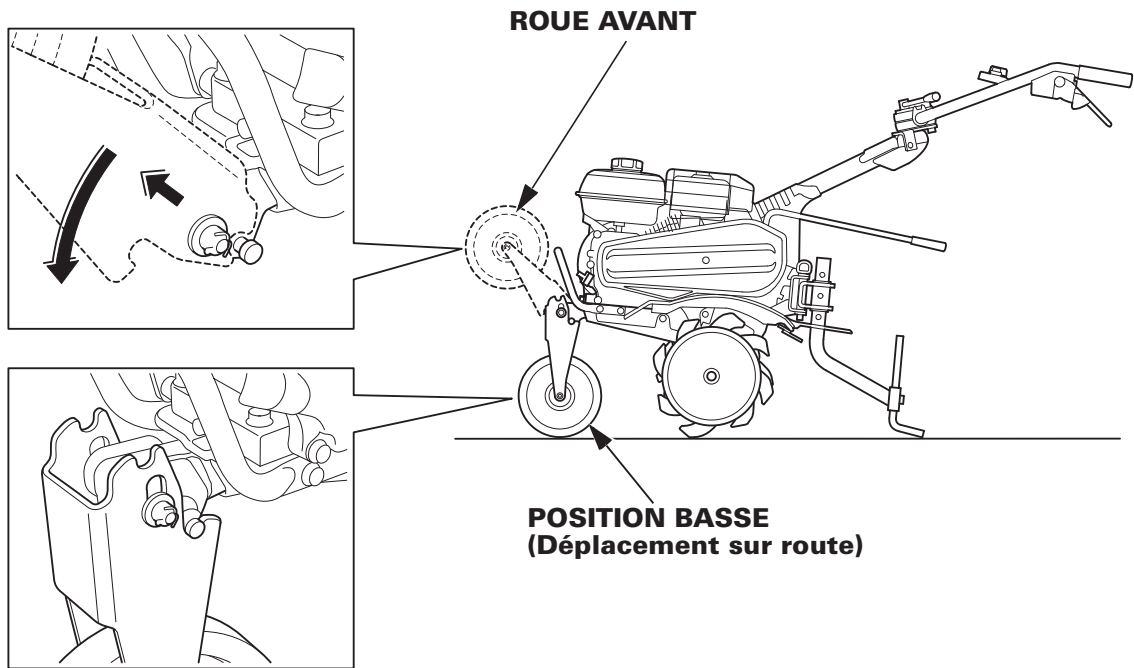
Mettre l'accessoire d'attelage en place dans la chape d'attelage avec une goupille d'attelage. (L'agrafe de goupille d'attelage se verrouille d'un coup dans son logement pour mieux être retenue en place.)



## 7. Roue avant (types DE et DER)

Après être arrivé sur le lieu du travail, déplacer la roue avant en position relevée avant de travailler. Toujours arrêter le moteur avant d'abaisser ou de relever la roue.

Pour relever ou abaisser la roue, sortir l'ensemble de roue, déplacer la roue, puis libérer l'ensemble de roue.



---

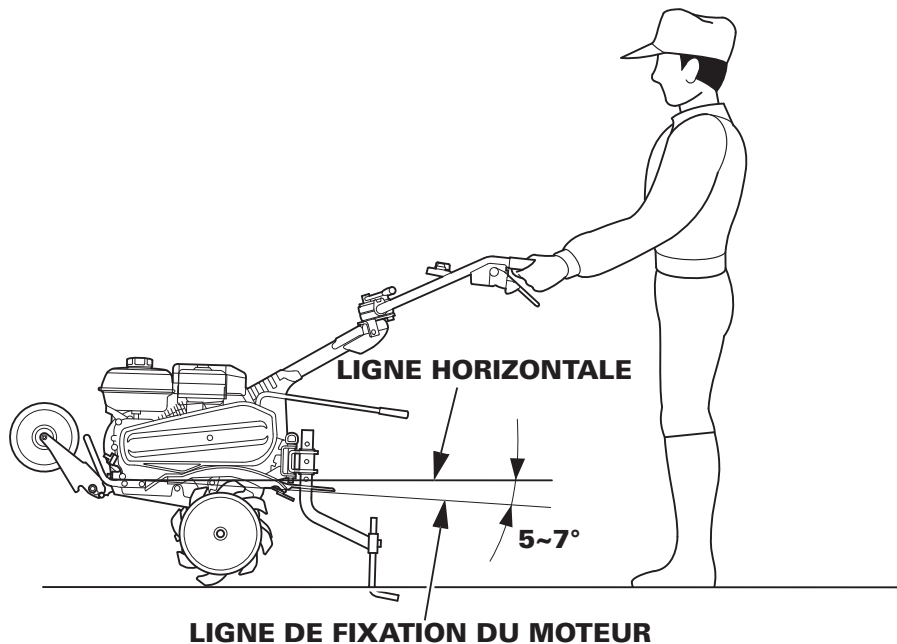
## 8. Conseils de manipulation

- Si le motoculteur tend à se déplacer précipitamment vers l'avant, abaisser les mancherons pour permettre à l'éperon de terrage de s'enfoncer dans le sol et de ralentir le déplacement du motoculteur vers l'avant. Continuer d'appuyer vers le bas jusqu'à ce que les dents du motoculteur aient pénétré à la profondeur adéquate pour permettre de manœuvrer le motoculteur aisément.
- Si les dents du motoculteur s'enfoncent de trop et que le motoculteur ne peut plus se déplacer, relâcher la poussée sur les mancherons et bouger les mancherons d'un bord et de l'autre. Si le motoculteur ne peut toujours pas se déplacer en avant, déterrer franchement l'éperon de terrage.
- En virage, appuyer sur les mancherons pour amener le poids du motoculteur vers l'arrière ; ceci facilitera le virage.



## 9. Angle d'utilisation normale

Abaisser légèrement le mancheron de manière que l'avant de la machine soit soulevé de 5~7°.



Pour utiliser le motoculteur le plus efficacement possible, essayer de maintenir la machine à l'angle indiqué tout en labourant le sol.

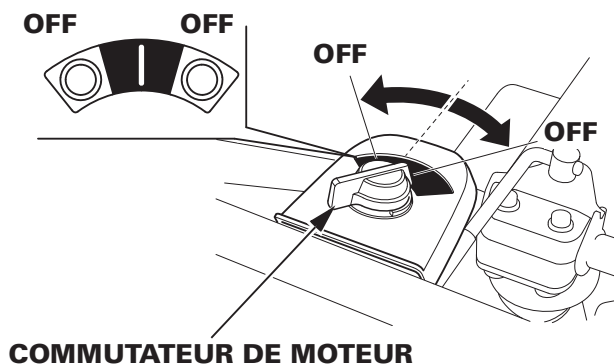
### PRECAUTION :

- **Ne pas utiliser le motoculteur avec un rotor ayant un diamètre supérieur à 325 mm.**
  - **L'utilisation du motoculteur sur une pente peut provoquer son renversement.**
  - **Permettre à une personne n'ayant pas reçu les instruction appropriées d'utiliser le motoculteur peut être à l'origine d'accidents graves.**
  - **Se protéger les pieds avec de robustes souliers appropriés. L'utilisation du motoculteur pieds nus ou avec des chaussures ouvertes ou des sandales augmente les risques de blessures.**
  - **Ne jamais utiliser le motoculteur la nuit.**
  - **Lorsque de la boue, des cailloux, etc, sont pris dans les outils rotatifs, arrêter immédiatement le moteur et nettoyer les outils rotatifs dans un endroit sûr. Porter des gants épais pour nettoyer les outils rotatifs.**
- Pour éviter des dommages, vérifier si la motobineuse présente des signes de dommages ou autres défauts à chaque utilisation.**

# 7. ARRET DU MOTEUR

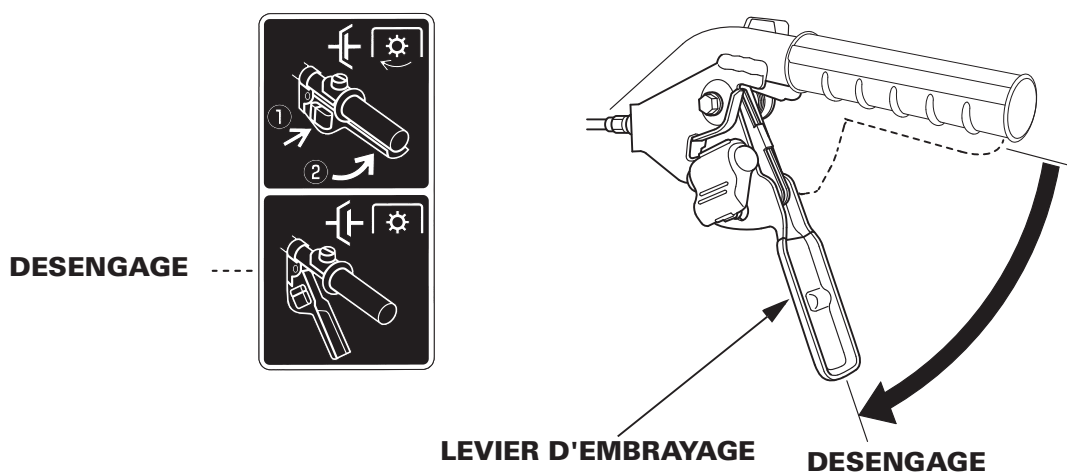
En cas d'urgence :

- Mettre le commutateur de moteur sur la position OFF.

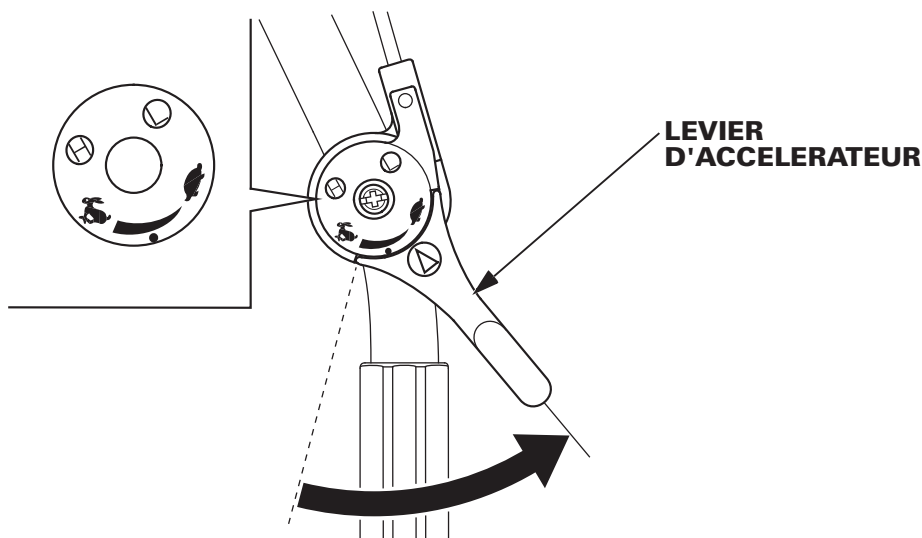


En usage normal :

1. Relâcher le levier d'embrayage pour le ramener sur la position de DEBRAYAGE.

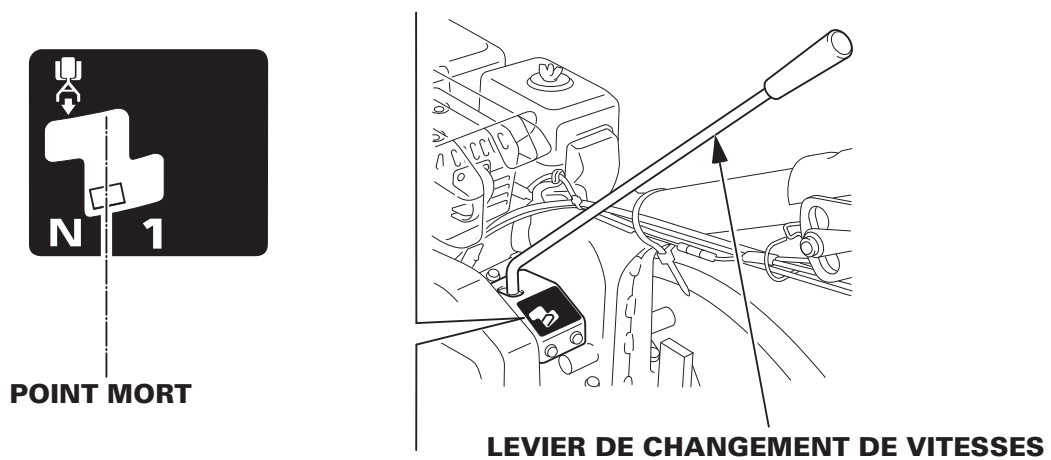


2. Placer le levier des gaz complètement à droite.

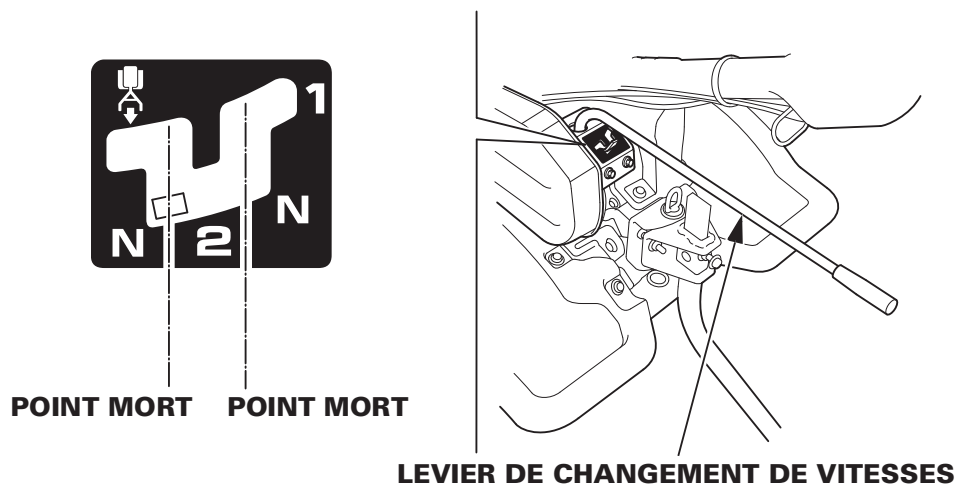


3. Placer le levier de sélection sur la position de POINT MORT.

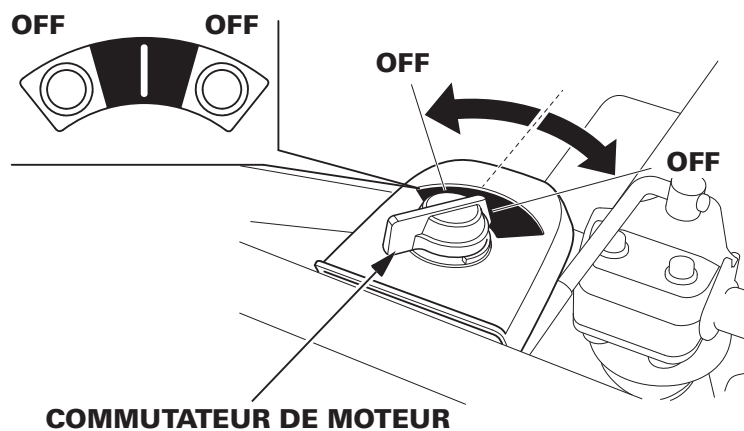
Types SE et SER :



Types DE et DER :

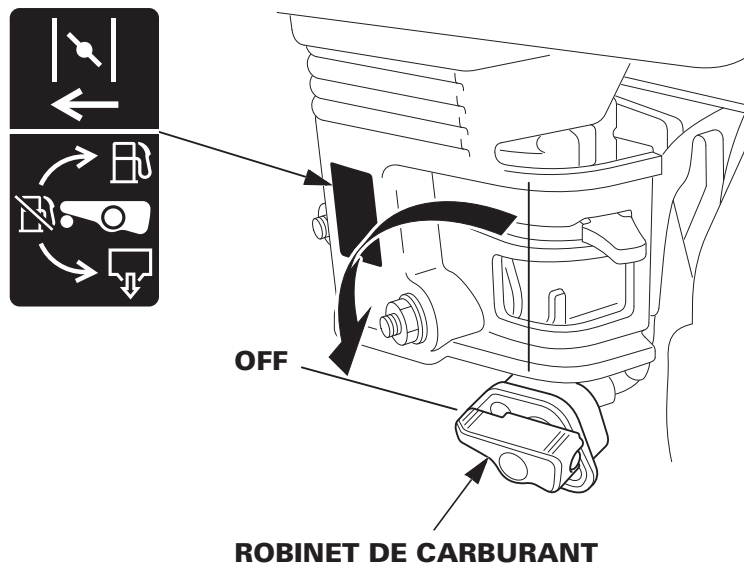


4. Mettre le commutateur de moteur sur la position OFF.



---

5. Tourner le robinet de carburant sur la position OFF (fermé).



## 8. ENTRETIEN

Le programme d'entretien est destiné à maintenir le motoculteur dans des conditions de fonctionnement optimales. Effectuer les opérations de contrôle et d'entretien comme prévu dans le tableau ci-dessous.

### ⚠ ATTENTION

**Arrêter le moteur avant d'effectuer un entretien quelconque. Les gaz d'échappement contiennent du monoxyde de carbone qui est un gaz toxique pouvant provoquer des évanouissements et être mortel. S'il est nécessaire de faire tourner le moteur, s'assurer que l'aération est suffisante.**

### PRECAUTION :

**N'utiliser seulement que des pièces d'origines Honda ou l'équivalent pour l'entretien et la réparation. Des pièces de rechange qui ne sont pas au moins de qualité équivalente risquent d'endommager le motoculteur.**

### Programme d'entretien

INTERVALLE D'ENTRETIEN REGULIER (1) A effectuer aux intervalles recommandés ou après chaque durée de fonctionnement préconisée, au premier des deux termes.		Après remisage	Après chaque utilisation	Premier mois ou 20 h	Tous les 3 mois ou 50 h	Tous les 6 mois ou 100 h	Tous les ans ou 300 h
ELEMENT							
Huile moteur	Contrôler le niveau		o				
	Remplacer	o		o		o	
Huile de transmission	Contrôler le niveau	o		o			o
Filtre à air	Contrôler		o				
	Nettoyer				o (2)		
	Remplacer						o
Extérieur du motoculteur	Contrôler		o				
Fonctionnement du levier de commande des gaz	Contrôler		o				
Fonctionnement du levier d'embrayage	Contrôler		o				
Serrage des vis et écrous	Contrôler		o				
Faisceaux et câblage	Contrôler		o				

(1) Pour une utilisation commerciale, consigner le nombre d'heures de service afin de déterminer la périodicité d'entretien appropriée.

(2) En cas d'utilisation dans des endroits poussiéreux, effectuer l'entretien toutes les 10 heures d'utilisation ou quotidiennement.

INTERVALLE D'ENTRETIEN REGULIER (1) A effectuer aux intervalles recommandés ou après chaque durée de fonctionnement préconisée, au remier des deux termes.		Après remisage	Après chaque utilisation	Premier mois ou 20 h	Tous les 3 mois ou 50 h	Tous les 6 mois ou 100 h	Tous les ans ou 300 h
ELEMENT							
Fonctionnement du moteur	Contrôler		o				
Coupelle de décantation	Nettoyer					o	
Bougie	Contrôler-Régler					o	
	Remplacer						o
Application de graisse	Lubrification par graisse	o (3)					
Tension de courroie	Contrôler-Régler			o (3) (4)		o (3) (4)	
Câble d'accélérateur	Contrôler-Régler						o
Câble d'embrayage	Contrôler-Régler			o (3)		o (3)	
Régime de ralenti	Contrôler-Régler						o (3)
Jeu aux soupapes	Contrôler-Régler						o (3)
Chambre de combustion	Nettoyer	Toutes les 500 h (3)					
Réservoir de carburant et filtre	Nettoyer	o (3)				o (3)	
Tuyau de carburant	Contrôler	Tous les 2 ans (remplacer si nécessaire) (3)					

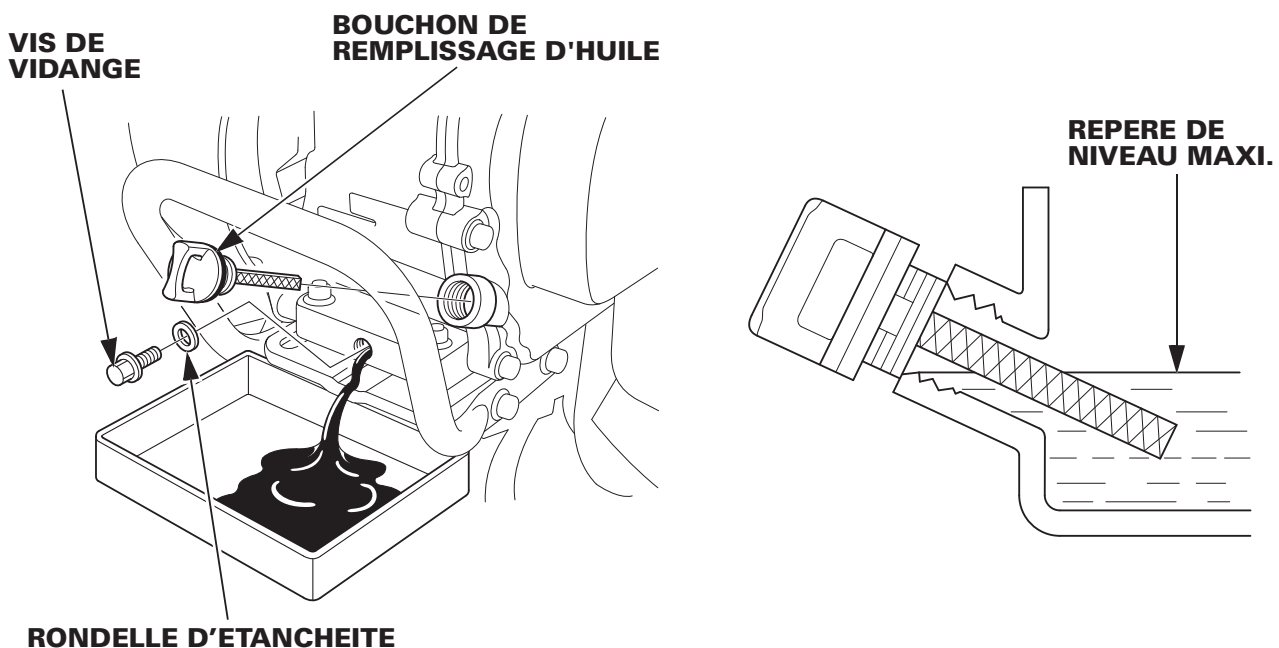
- (1) Pour une utilisation commerciale, consigner le nombre d'heures de service afin de déterminer la périodicité d'entretien appropriée.
- (3) L'entretien de ces éléments doit être confié à votre concessionnaire.
- (4) Vérifier l'absence de fissures ou d'usure anormale au niveau de la courroie ; la remplacer si nécessaire.

## 1. Remplacement de l'huile

Vidanger l'huile lorsque le moteur est chaud pour assurer une vidange rapide et complète.

1. Placer un bac approprié sous le moteur afin de recueillir l'huile usagée, puis retirer le bouchon de remplissage d'huile, la vis de vidange et la rondelle d'étanchéité.
2. Incliner légèrement le motoculteur vers l'avant, puis laisser s'écouler toute l'huile.
3. Après avoir complètement vidangé l'huile usagée, reposer la vis de vidange avec une rondelle d'étanchéité neuve. Serrer fermement la vis.
4. Faire l'appoint d'huile recommandée (voir page 16) jusqu'au repère de niveau maxi.
5. Reposer fermement le bouchon de remplissage d'huile.

**Contenance en huile :** 0,58 litre



Se laver les mains au savon et à l'eau après avoir manipulé l'huile usagée.

### REMARQUE :

Respecter la réglementation environnementale en vigueur pour la mise au rebut de l'huile usagée. Nous vous suggérons de la transporter dans un bidon fermé hermétiquement jusqu'à la station-service la plus proche pour recyclage. Ne pas la jeter aux ordures ni la déverser au sol.

## 2. Entretien du filtre à air

Un filtre à air encrassé limite l'alimentation en air du carburateur. Afin de prévenir tout dysfonctionnement du carburateur, procéder régulièrement à l'entretien du filtre à air. L'entretenir plus fréquemment si le moteur fonctionne dans des endroits extrêmement poussiéreux.

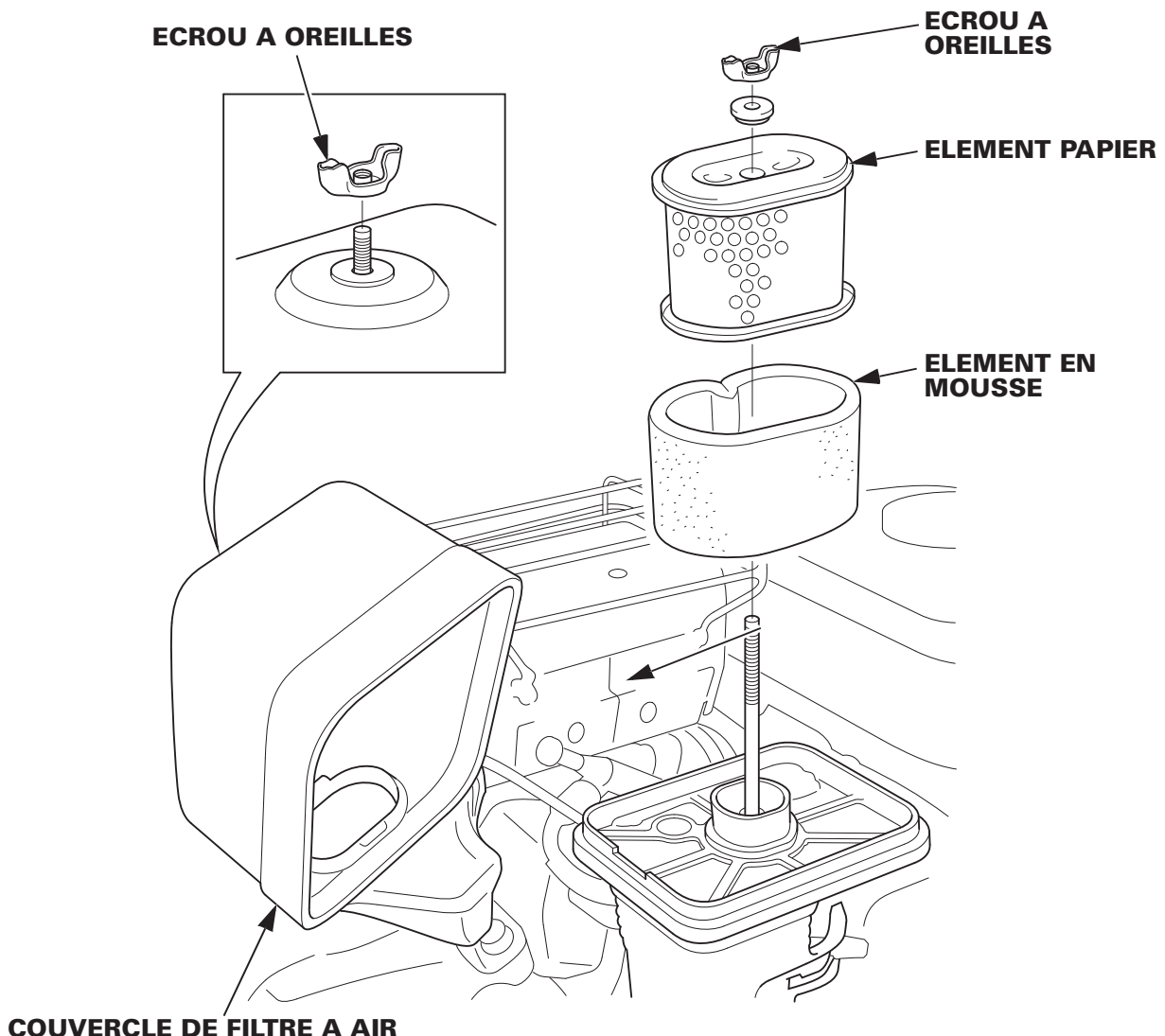
### ⚠ ATTENTION

**Ne jamais utiliser d'essence ou des dissolvants à faible point éclair pour nettoyer l'élément du filtre à air. Un incendie ou une explosion pourraient en résulter.**

### PRECAUTION :

**Ne jamais faire tourner le moteur sans filtre à air. Sinon, une usure rapide du moteur pourrait en résulter.**

1. Déposer l'écrou à oreilles et le couvercle du filtre à air. Retirer et séparer les éléments. Vérifier attentivement si les deux éléments ne sont pas déchirés ou troués ; les remplacer s'ils sont endommagés.

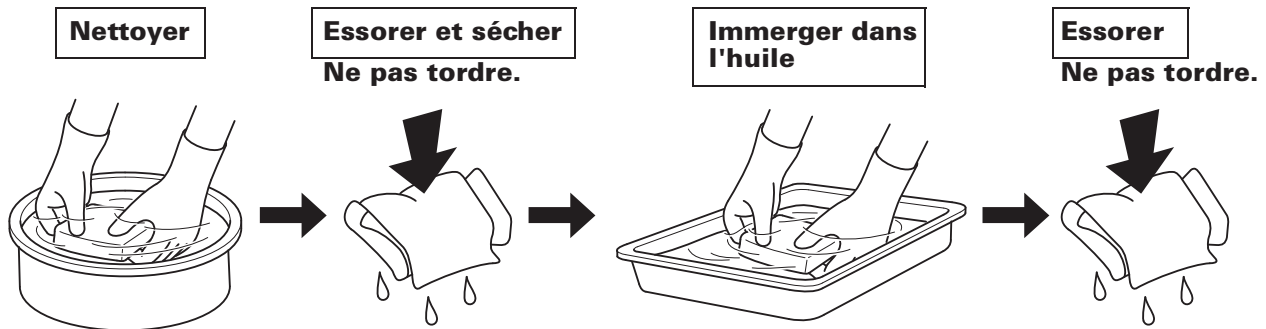




2. Nettoyer les deux éléments de filtre s'ils doivent être réutilisés.

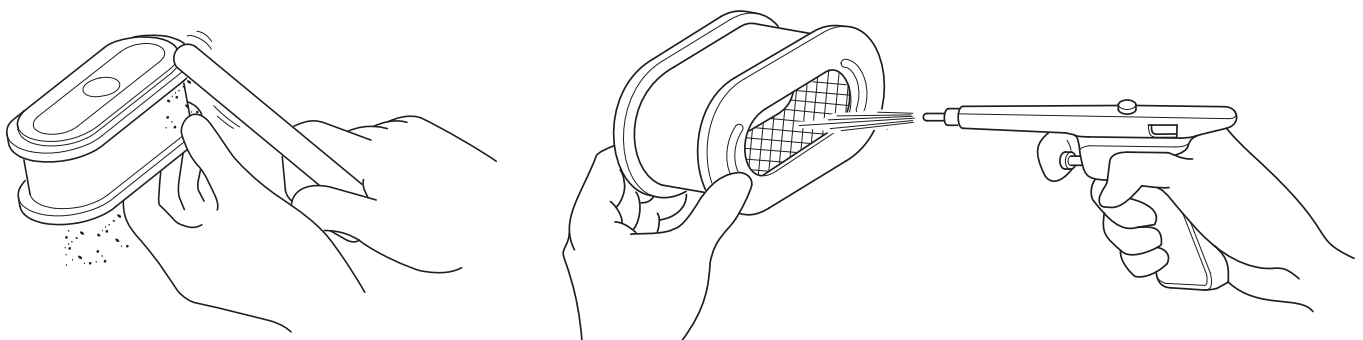
**Élément en mousse :**

Le nettoyer dans de l'eau savonneuse chaude, le rincer et le laisser sécher complètement. On pourra également le nettoyer dans un solvant à point d'éclair élevé, puis le laisser sécher. Tremper l'élément dans de l'huile moteur propre, puis en essorer l'huile en excès. S'il reste trop d'huile dans la mousse, le moteur fumera au premier démarrage.



**Élément en papier :**

Tapoter légèrement l'élément à plusieurs reprises l'élément sur une surface dure pour éliminer les salissures en excès, ou passer un jet d'air comprimé dans le filtre en procédant de l'intérieur vers l'extérieur. Ne jamais tenter d'éliminer les dépôts à la brosse, au risque de colmater la crasse entre les fibres. Remplacer l'élément en papier s'il est encrassé excessivement.



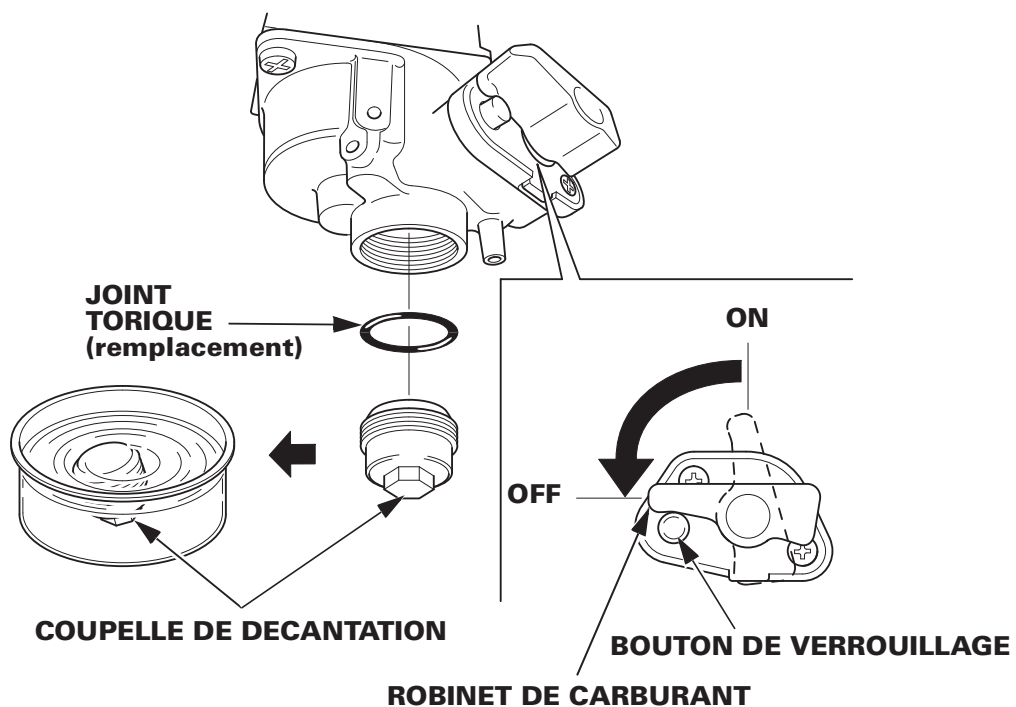
3. Fixer solidement les éléments et le couvercle de filtre à air.

### 3. Nettoyage de la coupelle de décantation

#### **⚠ ATTENTION**

**L'essence est hautement inflammable et peut exploser dans certaines conditions. Ne pas fumer et ne pas permettre de flammes ou d'étincelles près du chariot mécanique.**

1. Mettre le commutateur de moteur sur la position OFF.
2. Tourner le robinet d'essence sur la position de fermeture de manière à ce qu'il touche le bouton de verrouillage.
3. Déposer la coupelle à sédiments et le joint torique à l'aide d'une clé 10 mm.
4. Vider la coupelle à sédiments et la nettoyer avec un solvant ininflammable.
5. Poser un nouveau joint torique et reposer la coupelle à sédiments. Serrer la coupelle de décantation à fond.
6. Placer le robinet de carburant sur la position d'OUVERTURE et vérifier s'il n'y a pas de fuites.



## 4. Entretien de la bougie d'allumage

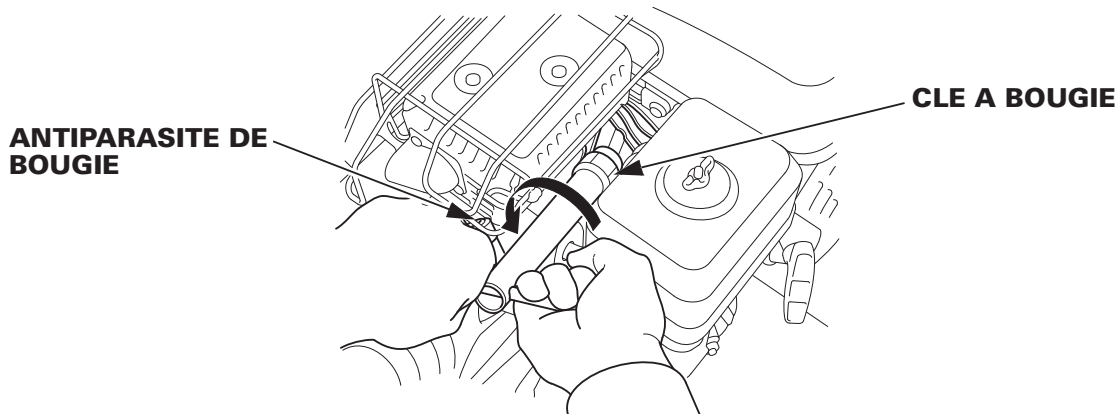
**Bougie d'allumage recommandée :** BPR5ES (NGK)  
W16EPR-U (DENSO)

Pour assurer un bon fonctionnement du moteur, l'écartement des électrodes de la bougie doit être correct et il ne doit pas y avoir des traces de dépôts.

1. Déposer l'antiparasite de bougie.  
Déposer la bougie à l'aide d'une clé à bougie.

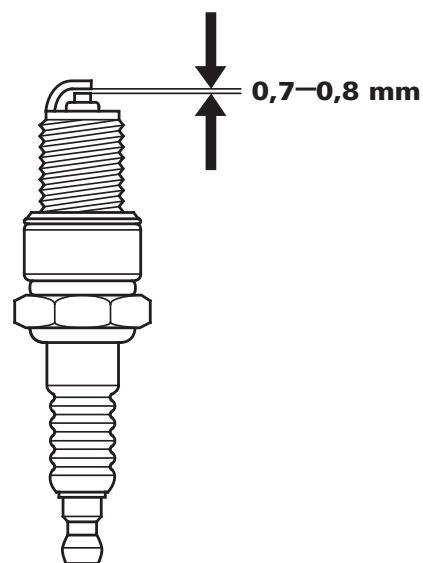
### ⚠ ATTENTION

**Si le moteur vient de tourner, le silencieux sera très chaud. Veiller à ne pas toucher le silencieux.**

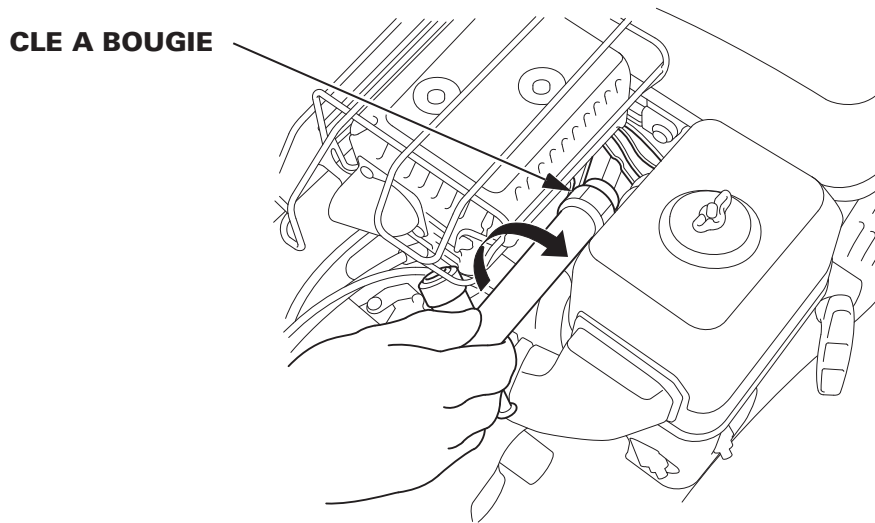


2. Contrôler visuellement l'état de la bougie. La jeter si la porcelaine isolante est fissurée ou ébréchée. Nettoyer la bougie avec une brosse métallique si elle doit être réutilisée.

3. Mesurer l'écartement des électrodes avec une jauge d'épaisseur.  
Le corriger si besoin en incurvant l'électrode latérale.  
L'écartement des électrodes doit être de :  
0,7–0,8 mm



- 
4. Vérifier le bon état de la rondelle de bougie d'allumage, puis visser la bougie d'allumage à la main pour éviter de fausser le filetage.



5. Après avoir assis la bougie d'allumage, serrer avec une clé à bougie pour comprimer la rondelle.

**REMARQUE :**

Après repose sur son siège, serrer une bougie d'allumage neuve de 1/2 tour à l'aide d'une clé pour comprimer la rondelle. Si elle est usagée, la serrer de 1/8 à 1/4 de tour supplémentaire.

**PRECAUTION :**

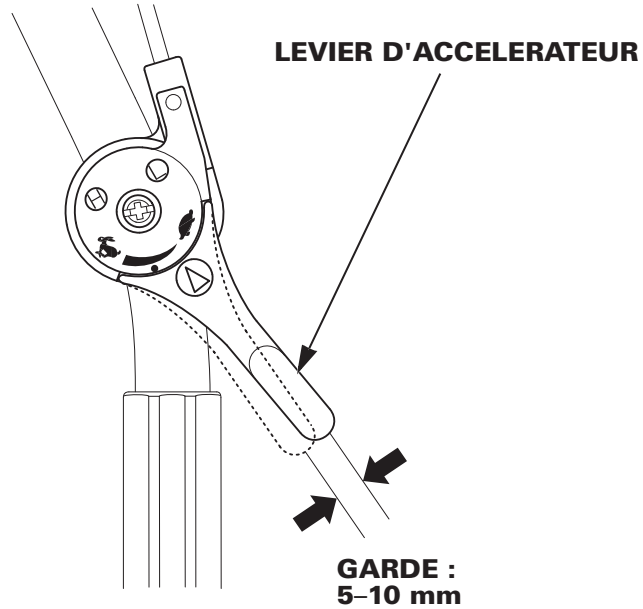
**La bougie d'allumage doit être bien serrée. Une bougie mal serrée risque de devenir très chaude, ce qui peut entraîner une détérioration du moteur.**

**Ne pas utiliser une bougie d'allumage d'une plage thermique incorrecte.**

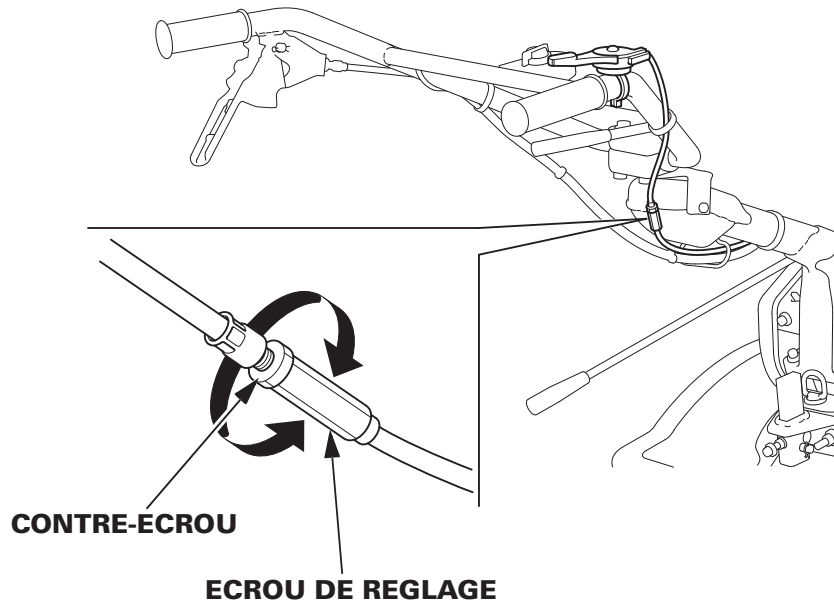
## 5. Réglage du câble de commande des gaz

Mesurer la garde à la pointe du levier.

Garde : 5–10 mm



Si la garde est incorrecte, desserrer le contre-écrou et visser ou dévisser la vis de réglage selon besoins.

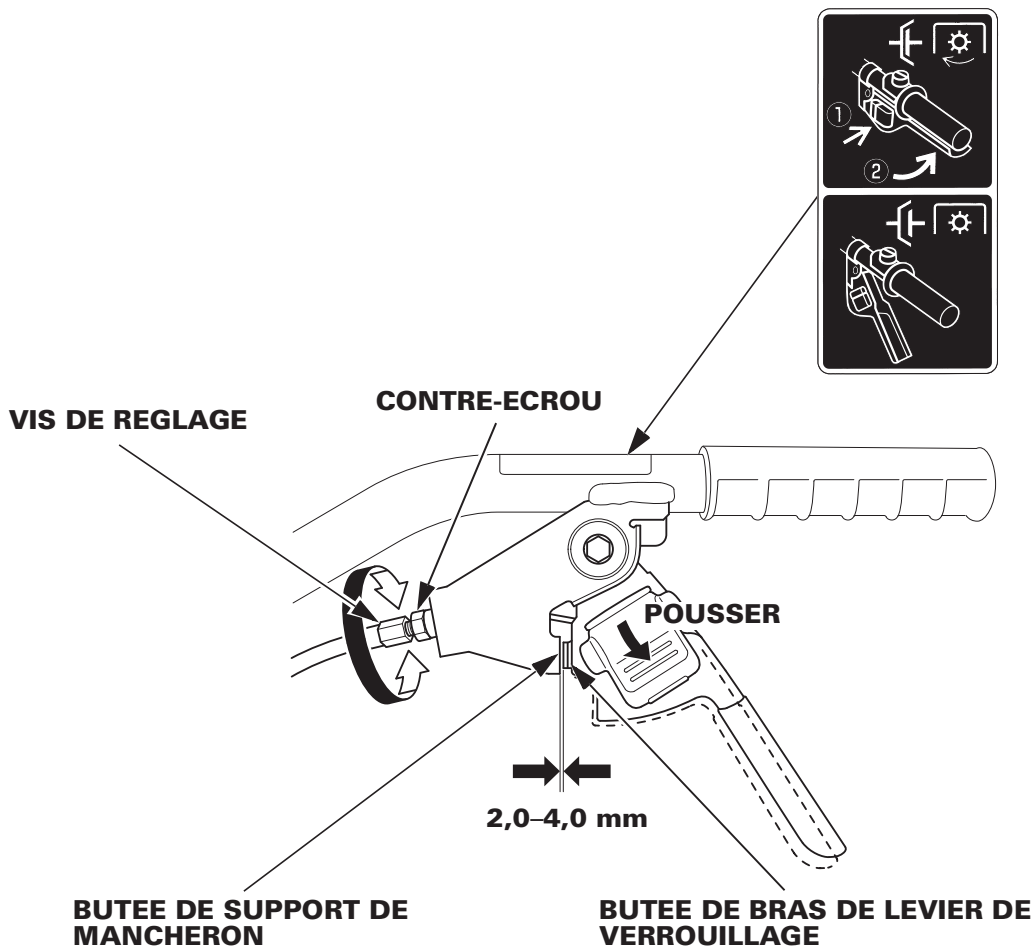


## 6. Réglage du câble d'embrayage

L'embrayage étant désengagé, mesurer la garde entre la butée du support de mancheron et la butée du bras de levier de verrouillage.

Garde : 2,0–4,0 mm

Si la garde est incorrecte, desserrer le contre-écrou et visser ou dévisser la vis de réglage selon besoins. Après le réglage, resserrer fermement le contre-écrou.



## 7. Nettoyage du levier d'embrayage

Si le levier de verrouillage et le levier d'embrayage ne fonctionnent pas en douceur, ou si l'embrayage s'engage en serrant le levier d'embrayage sans pousser le levier de verrouillage, démonter et nettoyer le levier d'embrayage.

### REMARQUE :

Veiller à ce que le ressort et l'entretoise n'échappent pas lors du démontage du levier d'embrayage. Le ressort et l'entretoise sont situées entre le côté droit du levier d'embrayage et le support de mancheron.

1. Retirer l'agrafe de l'axe de pivot du levier.
2. Extraire l'axe de pivot de levier tout en tenant le levier d'embrayage, le ressort et l'entretoise.

Retirer le levier d'embrayage, le ressort et l'entretoise.

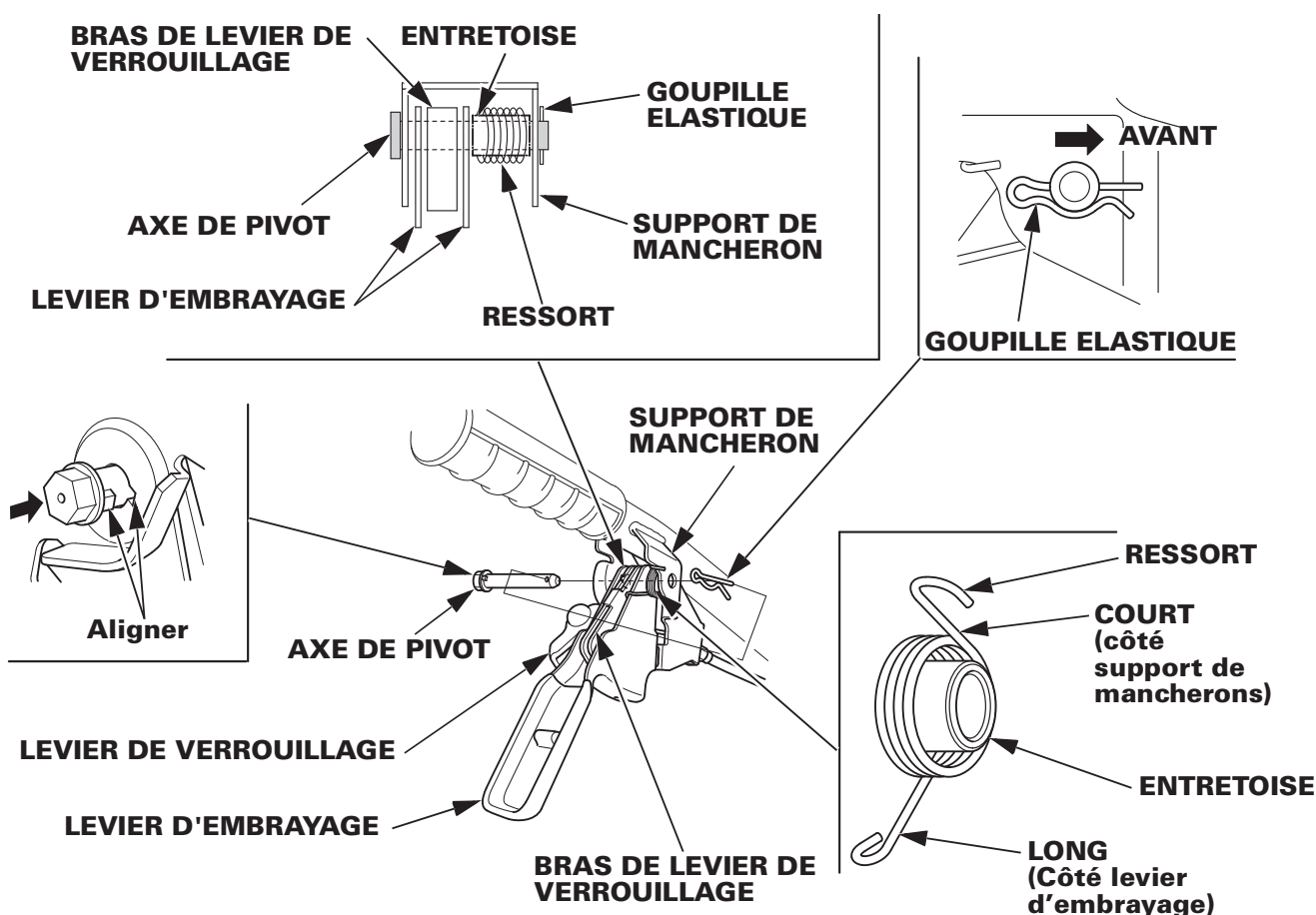
3. Eliminer toute saleté ou corps étrangers.

Essuyer et nettoyer le pivot du levier d'embrayage et le bras de levier de verrouillage.

### REMARQUE :

Ne pas mettre d'huile ou de liquide de nettoyage sur le levier d'embrayage, le levier de verrouillage et le bras de levier de verrouillage.

L'huile ou les liquides de nettoyage attirent la saleté et les corps étrangers.



- 
4. Mettre l'entretoise en place sur le ressort, et positionner ces pièces entre le côté droit du levier d'embrayage et le support de mancheron (voir page 50).  
Avec le ressort et l'entretoise ainsi positionnés, insérer l'axe de pivot de levier.
  5. Aligner la saillie de l'axe de pivot de levier sur la gorge située sur le côté de l'orifice du support de guidon, puis positionner l'agrafe dans le sens indiqué sur l'illustration (voir page 50).
  6. S'assurer que le levier de verrouillage et le levier d'embrayage fonctionnent en douceur.  
Si le levier de verrouillage et le levier d'embrayage ne fonctionnent pas en douceur, ou si l'embrayage s'engage en serrant le levier d'embrayage sans pousser le levier de verrouillage, porter le motoculteur chez un concessionnaire Honda agréé.

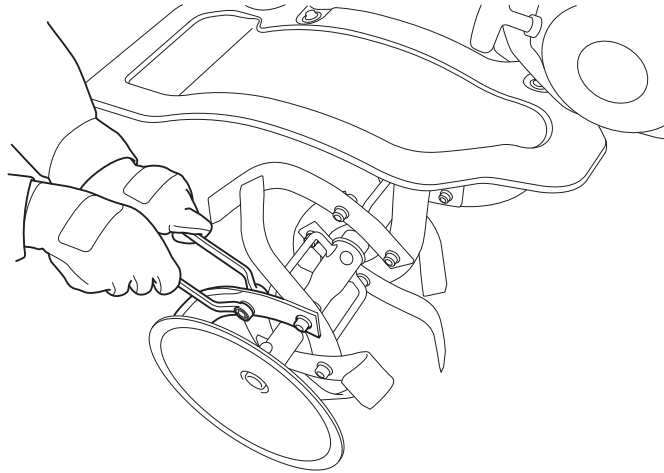


---

## 8. Contrôle/remplacement des lames rotatives (types SER et DER)

### **⚠ ATTENTION**

- **Porter des gants épais pour se protéger les mains.**
- **Effectuer la vérification ou le remplacement avec le motoculteur sur une surface de niveau et le moteur arrêté. Déconnecter le capuchon de bougie pour ne pas risquer un démarrage accidentel.**



Avant de commencer la vérification ou le remplacement, placer la roue avant (type DER) en position DOWN (voir page 34) et placer le motoculteur sur un sol ferme et de niveau pour éviter qu'il bouge.

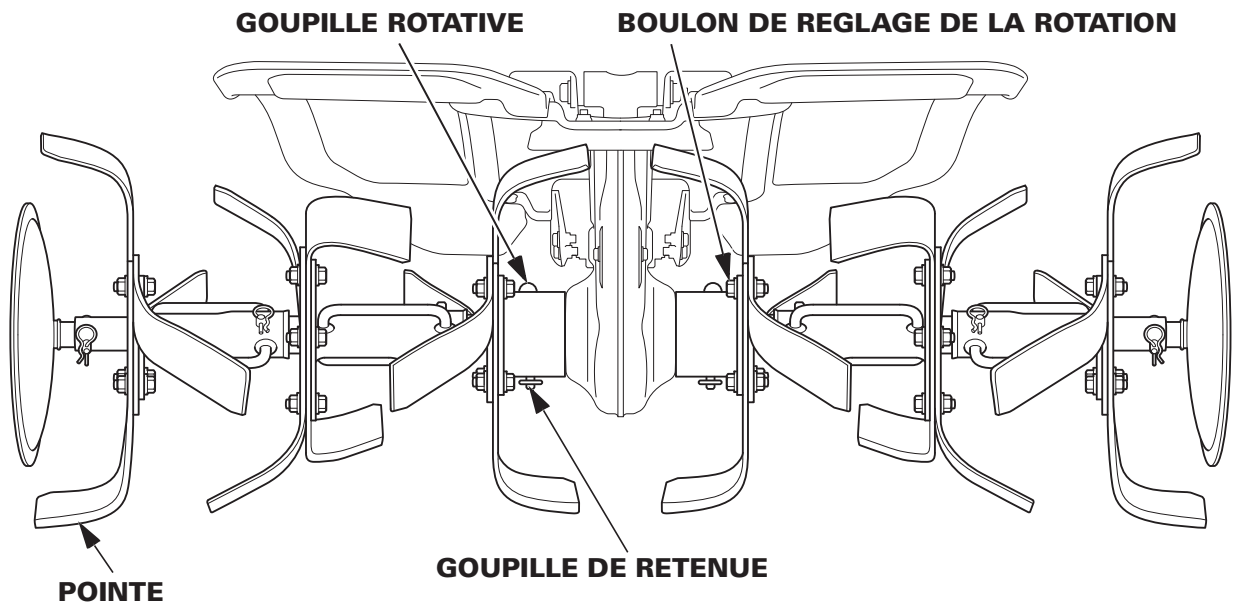
Tourner le robinet de carburant sur la position OFF (fermé).

## Contrôle :

1. Vérifier si les pointes sont endommagées, tordues ou détachées. Si une anomalie est trouvée, serrer ou remplacer la pièce endommagée.
2. Vérifier si le boulon de réglage de la rotation est desserré et le serrer si nécessaire.
3. Vérifier si les goupilles rotatives et de verrouillage sont endommagées ou manquantes et les remplacer si nécessaire (voir pages 56 et 57)

## REMARQUE :

Utiliser les pièces d'origine Honda ou équivalentes lors du remplacement des pointes rotatives.

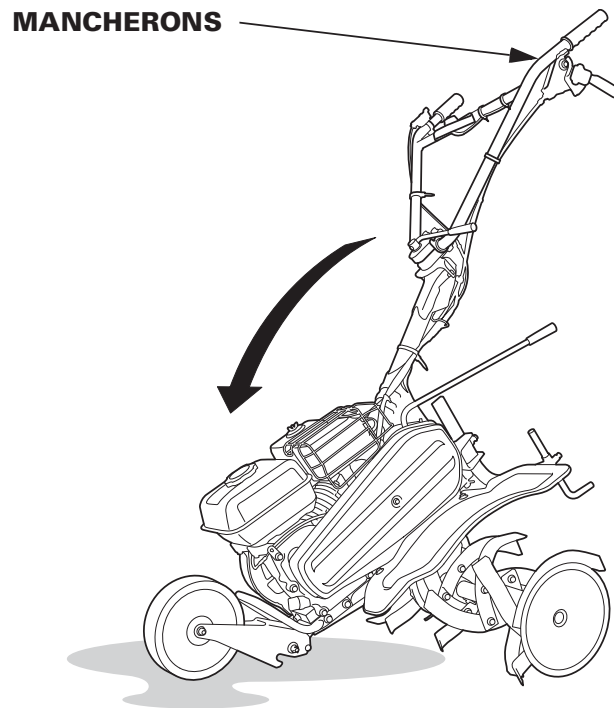


## Dépose de la pièce rotative et du disque latéral :

- Type DER :

Placer la roue avant en position UP (voir page 34).

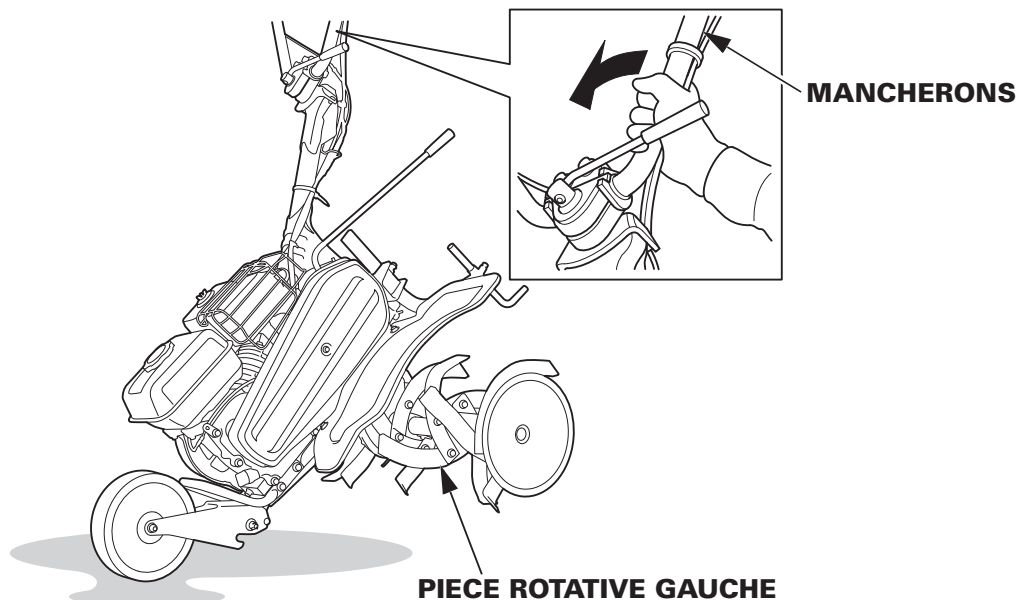
1. Tirer les mancherons vers le haut tout en les maintenant pour que la roue avant (type DER) ou l'extrémité avant du motoculteur entre en contact avec le sol.



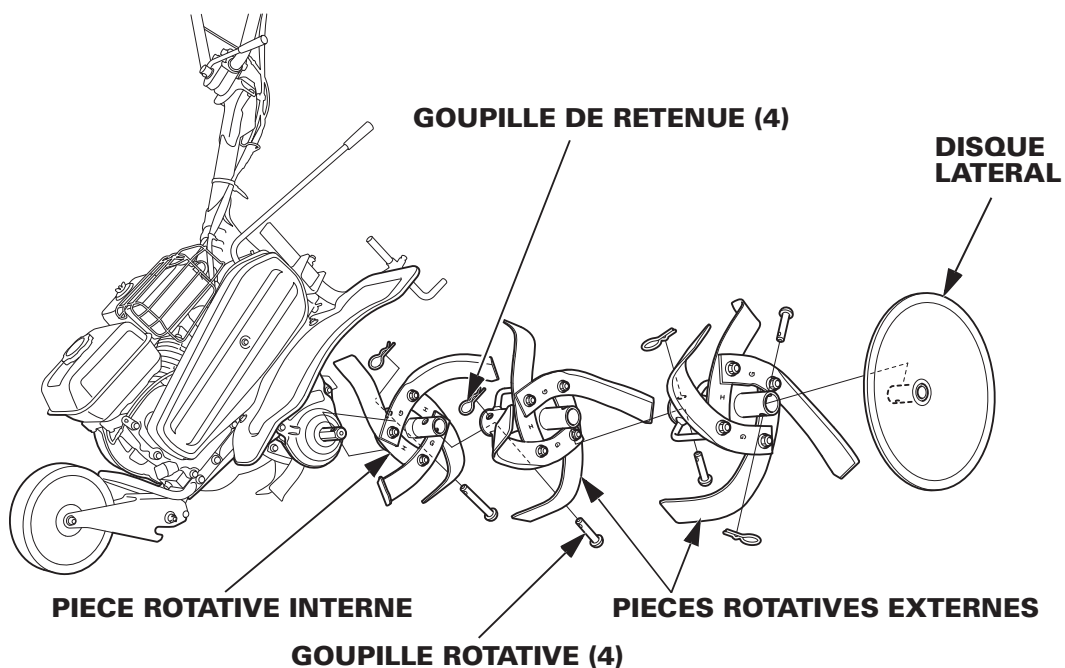
2. Tenir les mancherons et les pousser dans le sens de la flèche pour soulever la pièce rotative la plus proche. Maintenir cet état.

Ne pas tirer les câbles en tenant les mancherons.

Procéder avec précaution pour incliner le motoculteur. Un angle d'inclinaison trop important risque d'entraîner une fuite de carburant.



3. Déposer les goupilles rotatives et de verrouillage puis déposer le disque latéral et les pièces rotatives externes.
4. Déposer la goupille de retenue et la goupille rotative, puis déposer la pièce rotative interne.
5. Procéder de la même manière pour la pièce rotative/le disque latéral opposés.

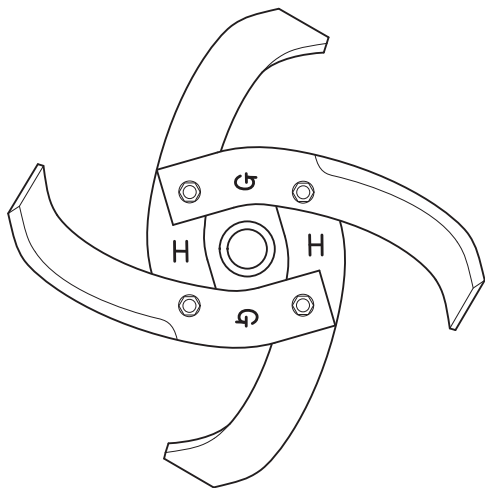


## Pose de la pièce rotative et du disque latéral :

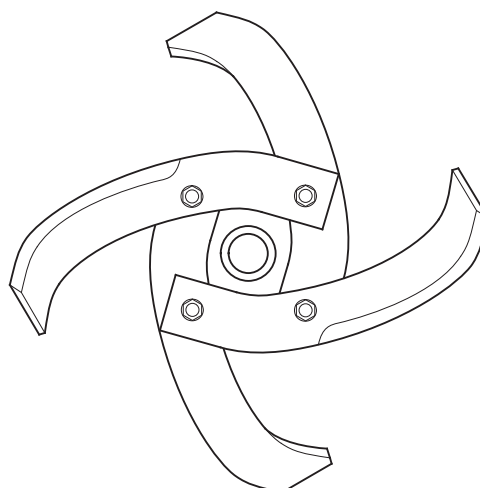
1. Installer la pièce rotative interne sur l'axe de roue.

- Les repères "G" et "H" sur la pièce rotative interne gauche sont visibles.
- Les repères "G" et "H" sur la pièce rotative interne droite ne sont pas visibles.

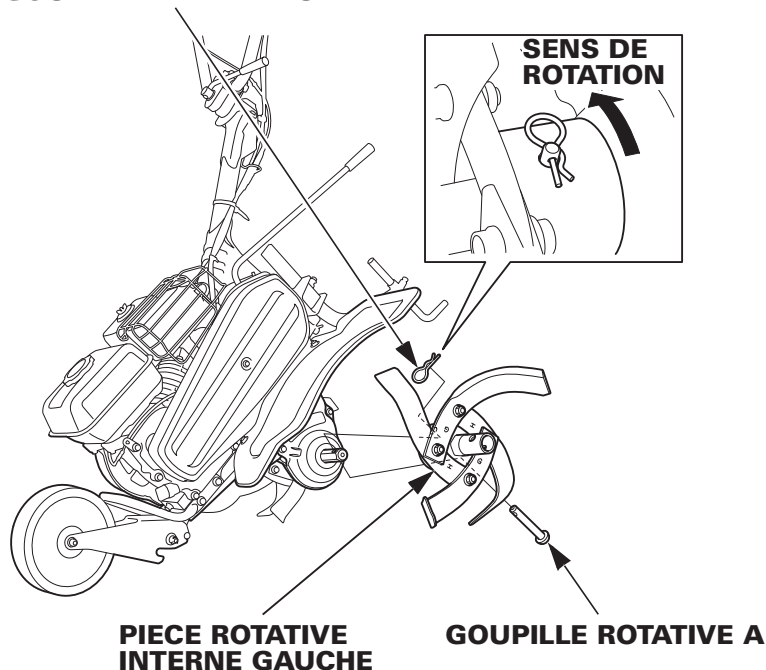
**PIECE ROTATIVE INTERNE GAUCHE**  
(vue du côté de la pièce rotative externe)



**PIECE ROTATIVE INTERNE DROITE**  
(vue du côté de la pièce rotative externe)

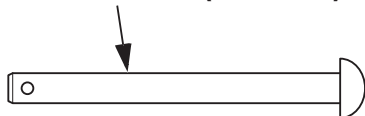


**GOUPILLE DE RETENUE**

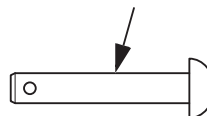


2. Insérer la goupille rotative A et régler la goupille de retenue.

**GOUPILLE ROTATIVE A (LONGUE)**

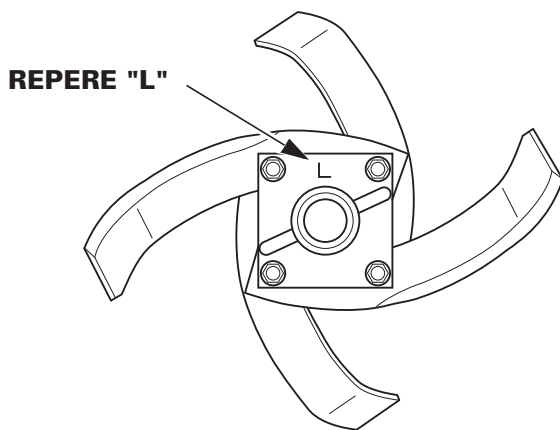


**GOUPILLE ROTATIVE B (COURTE)**

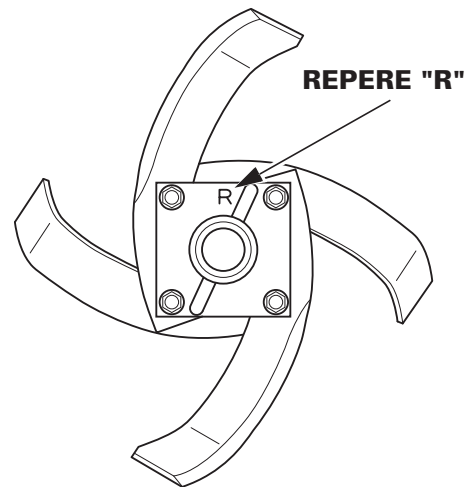


3. Poser les pièces rotatives externes en plaçant le repère "R" (pièce rotative droite) ou "L" (pièce rotative gauche) face à la pièce rotative interne, comme illustré.
4. Insérer les goupilles rotatives B et régler les goupilles de verrouillage.
5. Poser le disque latéral puis insérer la goupille rotative B et régler la goupille de retenue.
6. Procéder de la même manière pour la pièce rotative/le disque latéral opposés.

**PIECE ROTATIVE EXTERNE GAUCHE**  
(vue du côté de la pièce rotative interne)



**PIECE ROTATIVE EXTERNE DROITE**  
(vue du côté de la pièce rotative interne)



**GOUPILLE DE  
RETENUE (3)**

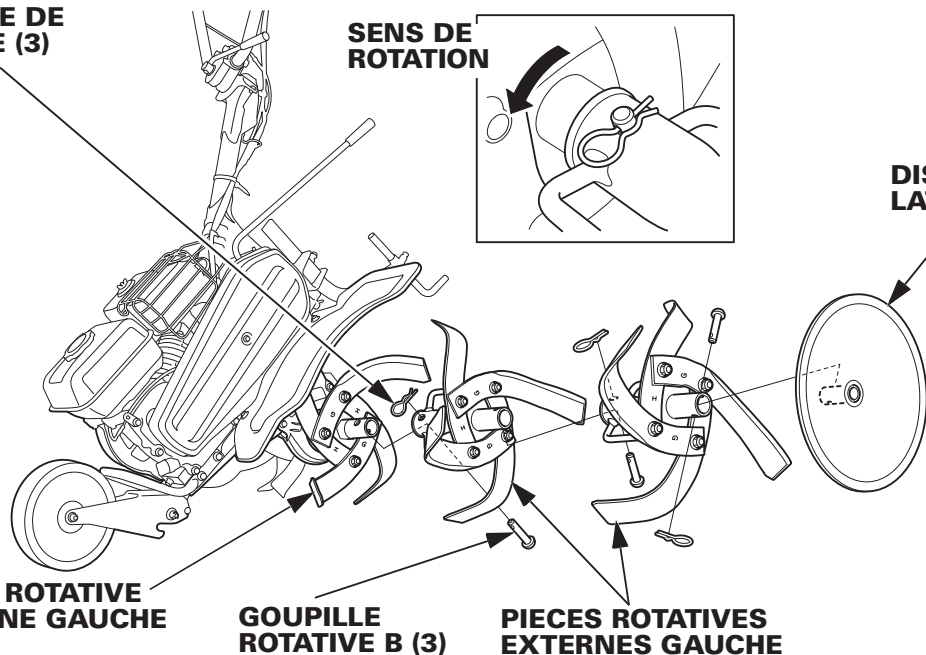
**SENS DE  
ROTATION**

**DISQUE  
LATERAL**

**PIECE ROTATIVE  
INTERNE GAUCHE**

**GOUPILLE  
ROTATIVE B (3)**

**PIECES ROTATIVES  
EXTERNES GAUCHE**

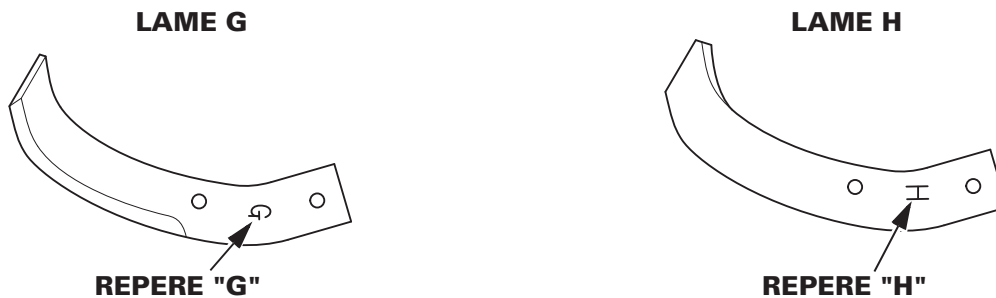


## Pose de la lame :

Poser les lames correctement.

Si les lames sont incorrectement disposées ou installées à l'envers, cela provoquera des vibrations et entravera le bon fonctionnement du motoculteur.

Deux types de lames (G et H) sont fournis. La lame G affiche un repère "G" gravé et la lame H affiche un repère "H".

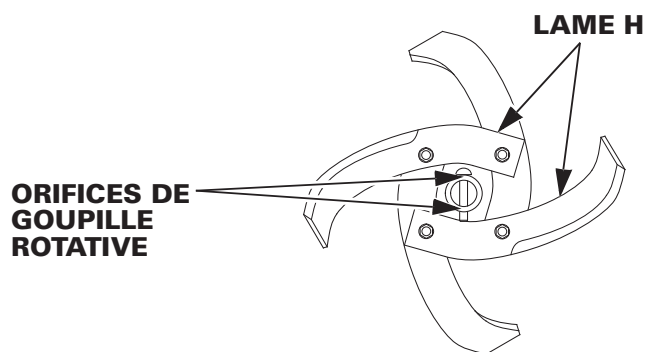


### • Côté droit :

Installer les lames rotatives externes et internes droites en plaçant le repère "G" ou "H" face au carter d'engrenage.

(Le repère "G" ou "H" est visible de l'extérieur.)

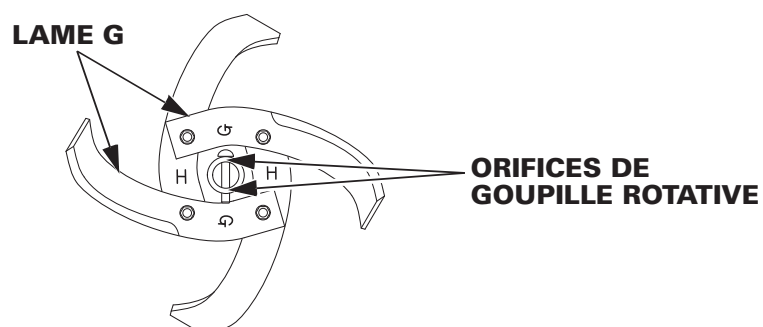
Le repère de lame "H" doit être aligné avec les orifices de goupille rotative.



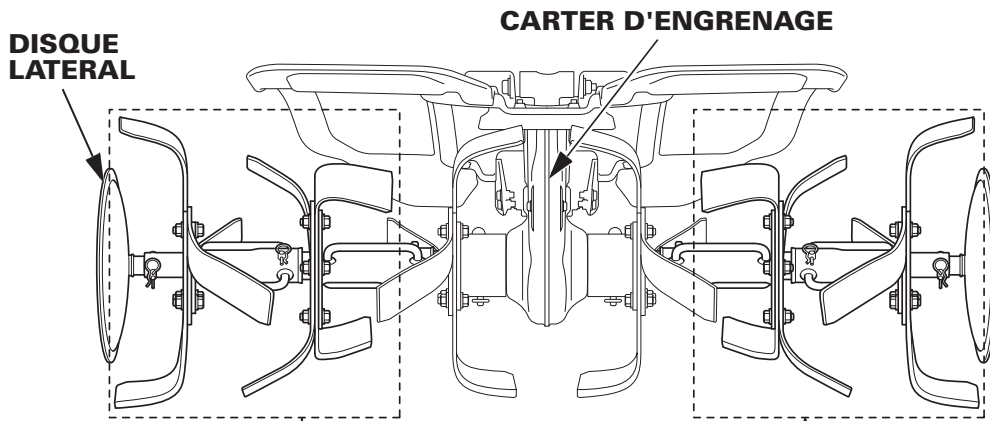
### • Côté gauche :

Installer les lames rotatives externes et internes gauches en plaçant le repère "G" ou "H" face au disque latéral.

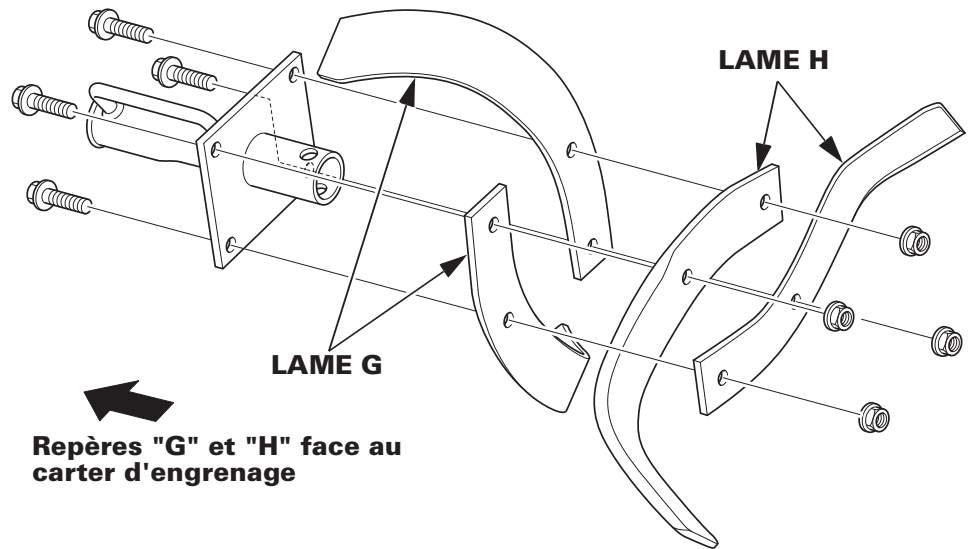
Le repère de lame "G" doit être aligné avec les orifices de goupille rotative.



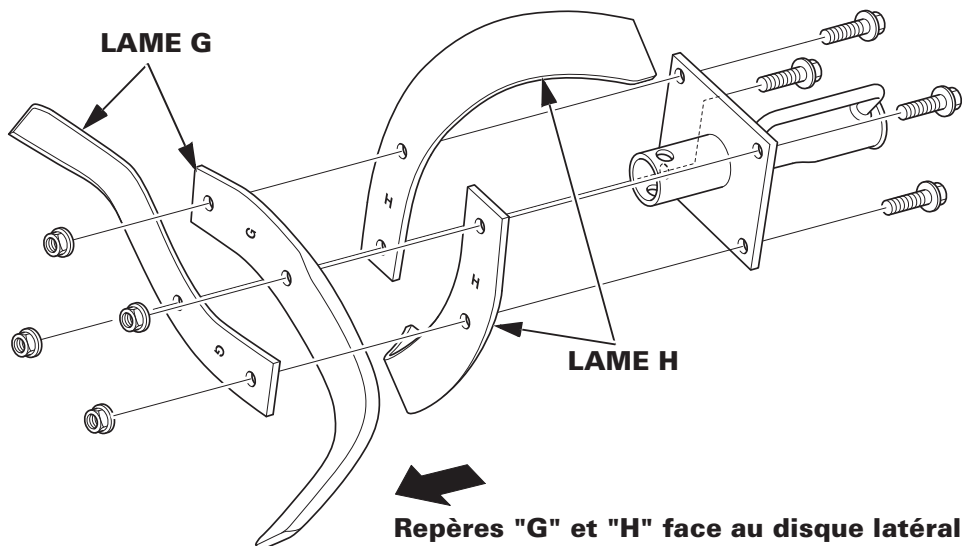
## • Lames rotatives externes



### LAMES ROTATIVES EXTERNES DROITES



### LAMES ROTATIVES EXTERNES GAUCHES

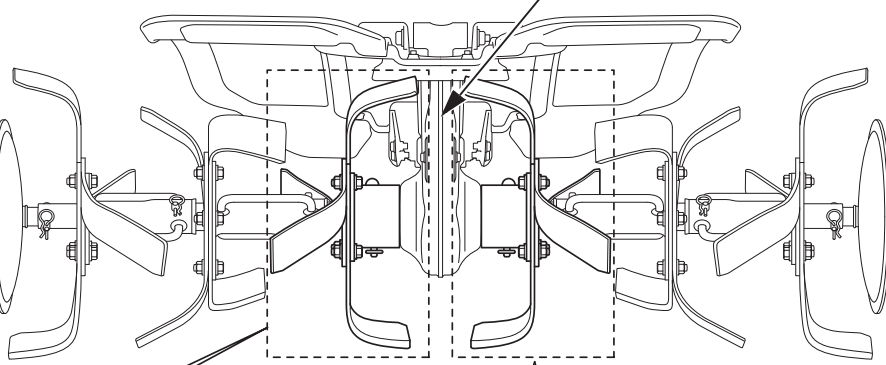




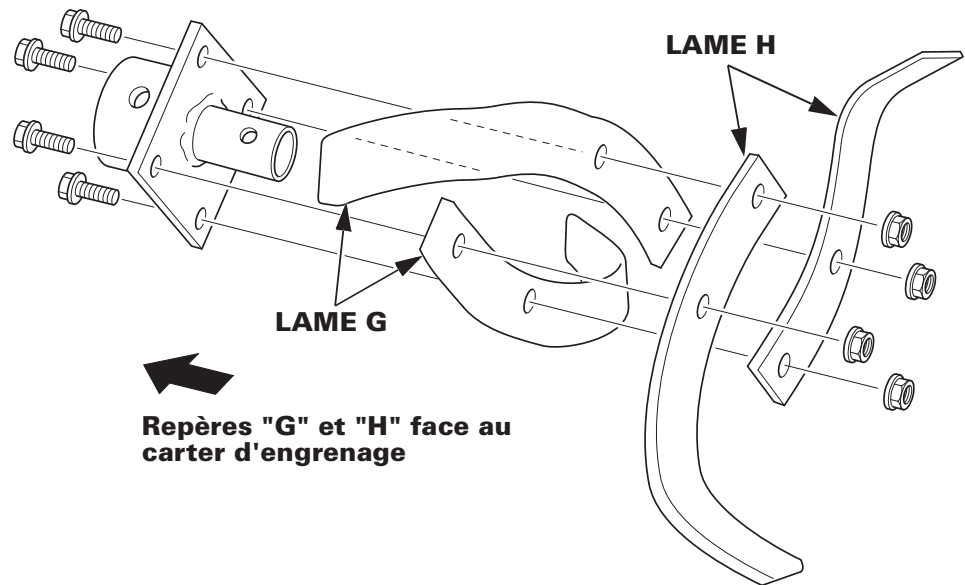
## • Lames rotatives internes

DISQUE  
LATERAL

CARTER D'ENGRENAGE

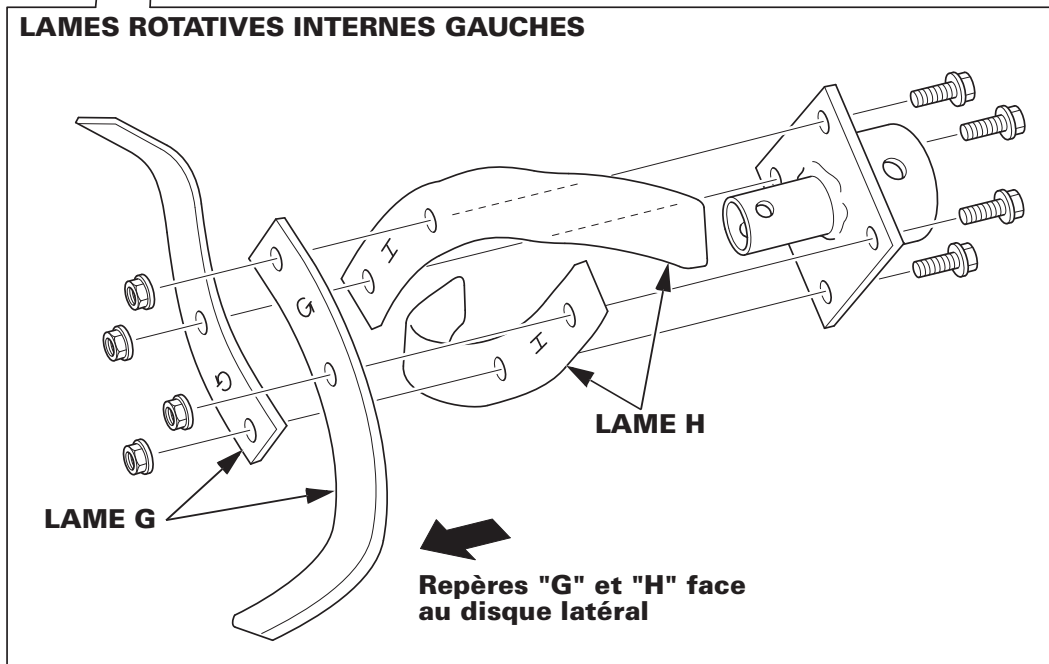


LAMES ROTATIVES INTERNES DROITES



Repères "G" et "H" face au  
carter d'engrenage

LAMES ROTATIVES INTERNES GAUCHES



Repères "G" et "H" face au  
disque latéral

## 9. TRANSPORT/REMISAGE

### ⚠ ATTENTION

Lors du transport du motoculteur, tourner le robinet de carburant vers la position "OFF", et garder le motoculteur de niveau pour éviter de renverser de l'essence. Les vapeurs d'essence ou l'essence renversée peuvent prendre feu.

Avant de remiser l'appareil pendant une période prolongée :

1. S'assurer que le lieu de remisage n'est pas excessivement humide ou poussiéreux.
2. Vidanger le carburant :

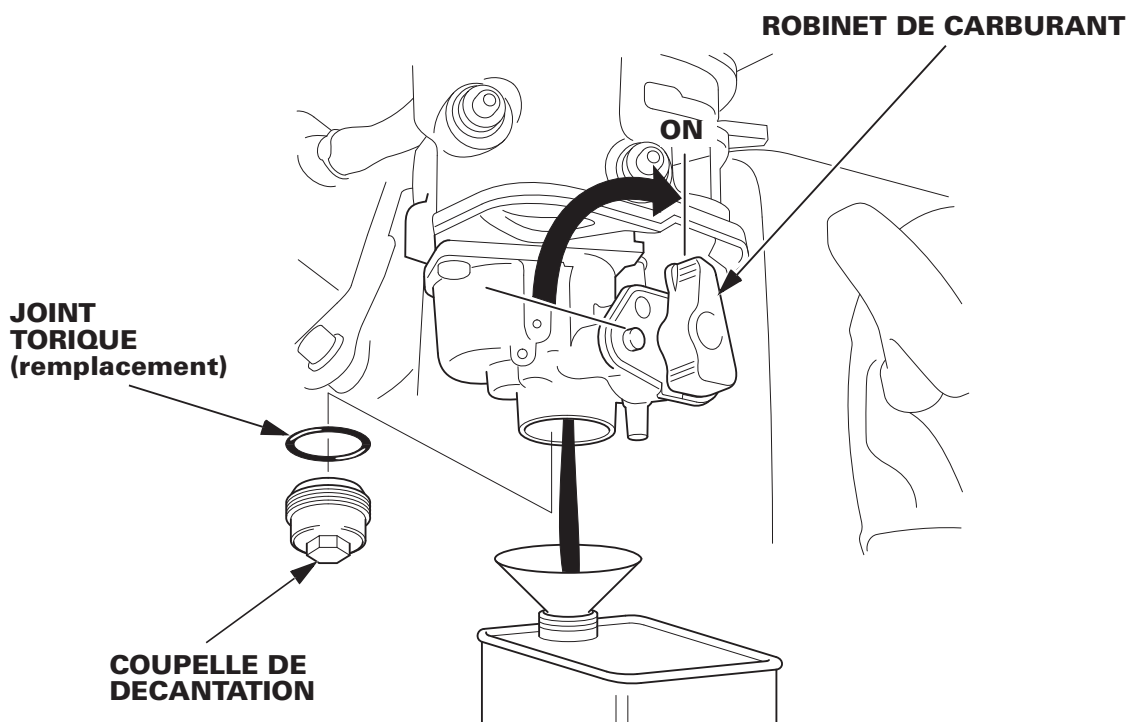
### ⚠ ATTENTION

L'essence est un produit inflammable et explosif dans certaines conditions. Ne pas fumer ni autoriser de flammes ou d'étincelles près de l'équipement lors de la vidange de carburant.

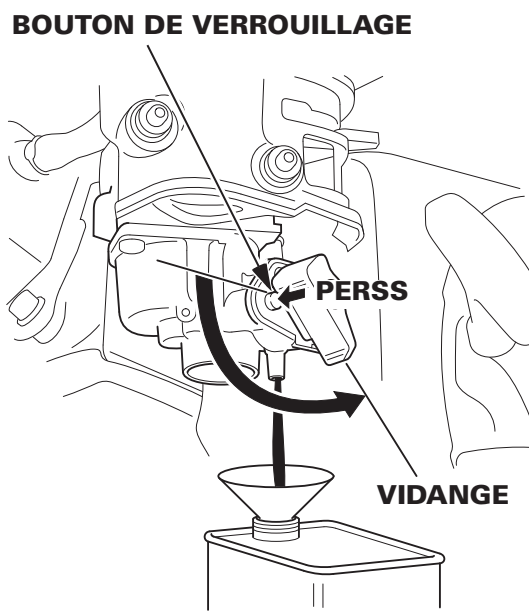
- a. Placer un récipient à essence adapté sous le carburateur et utiliser un entonnoir pour éviter de répandre du carburant.

Pour vidanger l'essence du carburateur uniquement, placer un récipient adapté sous le carburateur et suivre les procédures "e" et "f".

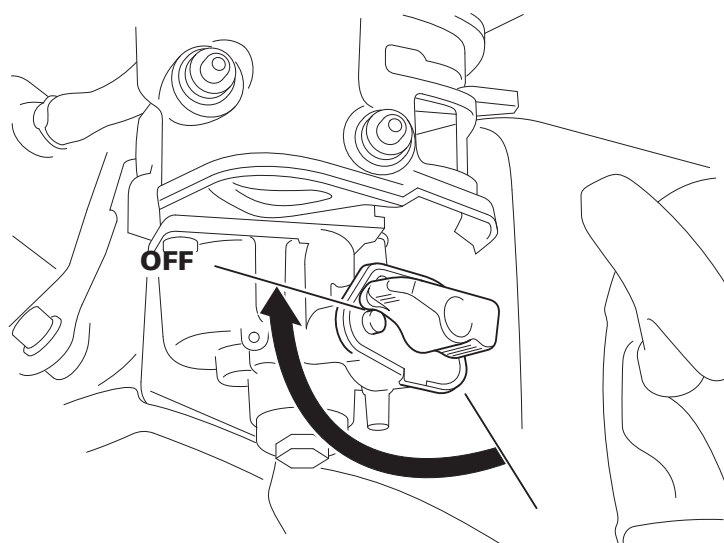
- b. Déposer la coupelle à sédiments et le joint torique.
- c. Tourner le robinet de carburant sur la position "ON" (ouvert). Vidanger l'essence dans un récipient approprié.



- d. Attendre la vidange complète de l'essence et tourner le robinet de carburant sur la position OFF (fermé).
- e. Tourner le robinet de carburant sur la position DRAIN (vidange) tout en maintenant le bouton de verrouillage enfoncé. Vidanger l'essence dans un récipient approprié.



- f. Attendre la vidange complète de l'essence. Tourner à nouveau le robinet d'essence sur la position OFF (fermé) de manière à ce qu'il touche le bouton de verrouillage.



- g. Poser un nouveau joint torique et reposer la coupelle à sédiments. Serrer la coupelle de décantation à fond.

---

3. Tirer la poignée de lanceur jusqu'à ressentir une résistance. Continuer à la tirer jusqu'à ce que le cran de la poulie de lanceur vienne en regard de l'orifice du lanceur.

A ce stade, les soupapes d'admission et d'échappement sont alors fermées, ce qui aide à protéger le moteur contre la corrosion interne.

4. Remplacer l'huile moteur.

5. Recouvrir le motoculteur d'une bâche en plastique.

Ne pas placer le motoculteur avec les mancherons reposant au sol. Cela causerait une pénétration d'huile dans le cylindre ou une dispersion du carburant.

# 10. DEPANNAGE

---

Si le moteur ne démarre pas :

1. Y a-t-il suffisamment de carburant ?
2. Le robinet de carburant est-il sur la position "ON" (ouvert) ?
3. Le commutateur du moteur est-il sur la position ON (Marche) ?
4. L'essence atteint-elle le carburateur ?  
Pour vérifier, tourner le robinet de carburant sur la position DRAIN (vidange) (voir page 62). Le carburant doit s'écouler librement. Tourner le robinet de carburant sur la position OFF (fermé).

## **▲ATTENTION**

**Avant de mettre le moteur en marche, s'assurer que l'essence renversée a séché et que les vapeurs sont dissipées. Des vapeurs d'essence ou de l'essence renversée peuvent s'enflammer.**

5. La bougie est-elle en bon état ?

Déposer et contrôler la bougie. Nettoyer la bougie, régler l'écartement de ses électrodes et la sécher. Remplacer si nécessaire.

6. Si le moteur ne démarre toujours pas, amener le motoculteur à un revendeur Honda agréé.

# 11. CARACTERISTIQUES

Modèle	FJ500-SE	FJ500-SER	FJ500-DE	FJ500-DER
Code de description	FAAC			

## Dimensions et poids

Modèle	FJ500-SE	FJ500-SER	FJ500-DE	FJ500-DER
Longueur	1 395 mm		1 435 mm	
Largeur	610 mm	925 mm	610 mm	925 mm
Hauteur	990 mm		1 015 mm	
Masse à sec [poids]	45 kg	57 kg	50 kg	62 kg

## Moteur

Modèle	GX160
Type	Monocylindre à 4 temps, à soupape en tête, refroidissement forcé par circulation d'air
Cylindrée	163 cm <sup>3</sup>
Alésage×course	68,0×45,0 mm
Allumage	Electromagnétique transistoré
Bougie	BPR5ES (NGK), W16EPR-U (DENSO)
Contenance en huile moteur	0,58 litre
Contenance du réservoir de carburant	2,4 litres

## Transmission

Modèle	FJ500-SE	FJ500-SER	FJ500-DE	FJ500-DER
Embrayage	Type à tension de courroie			
Boîte de vitesses	1 en marche avant, 1 marche arrière		2 en marche avant, 1 marche arrière	
Huile de transmission	0,95 litre			

## Bruit et vibrations

Type	SE, SER	DE, DER
Niveau de pression acoustique aux oreilles de l'opérateur (EN ISO 11200 : 1995)	81 dB (A)	81 dB (A)
Incertitude	2 dB (A)	2 dB (A)
Niveau de puissance acoustique mesuré (Référence au motoculteur de 2000/14/CE, 2005/88/CE)	96 dB (A)	96 dB (A)
Incertitude	2 dB (A)	2 dB (A)
Niveau de vibrations au système main-bras (EN1033 : 1995)	5,8 m/s <sup>2</sup>	7,8 m/s <sup>2</sup>
Incertitude (EN12096 : 1997 Annexe D)	2,3 m/s <sup>2</sup>	3,1 m/s <sup>2</sup>

REMARQUE : Les caractéristiques sont susceptibles d'être modifiées sans préavis.







# Honda FJ500

## **BEDIENUNGSANLEITUNG** Originalbetriebsanleitung



ECOLOGY CONSCIOUS TECHNOLOGY

Die Marke „e-SPEC“ symbolisiert umweltbewusste Technologien, die in Honda Power Equipment zum Ausdruck kommen - Produkte im Zeichen unseres Bestrebens der „Erhaltung der Natur für zukünftige Generationen“.

---

Wir danken Ihnen für den Kauf einer Honda-Ackerfräse.

Dieses Handbuch behandelt die Bedienung und Wartung der Ackerfräse FJ500.

Sämtliche in dieser Anleitung veröffentlichten Informationen basieren auf dem neuesten Produktstand, der zum Zeitpunkt des Druckes erhältlich war.

Honda Motor Co., Ltd. behält sich das Recht vor, Änderungen jederzeit und ohne Vorankündigung vorzunehmen, ohne irgendwelche Verpflichtungen einzugehen.

Kein Teil dieser Veröffentlichung darf ohne schriftliche Genehmigung reproduziert werden.

Diese Anleitung ist als permanenter Teil der Ackerfräse anzusehen und muss bei Verkauf der Maschine an den neuen Eigentümer weitergegeben werden.

Achten Sie auf die Erklärungen, die den folgenden Ausdrücken vorangehen:

**▲ WARNUNG** Warnt vor möglicher Verletzungs- oder Lebensgefahr, falls die Anweisungen nicht befolgt werden.

**VORSICHT:** Zeigt auf eine mögliche Gefahr von Verletzungen oder Sachschäden, wenn die Anweisungen nicht befolgt werden.

**HINWEIS:** Gibt nützliche Informationen.

Wenn irgendwelche Probleme auftreten, oder wenn Sie hinsichtlich der Ackerfräse Fragen haben, wenden Sie sich bitte an Ihren Honda-Händler.

**▲ WARNUNG**  
Die Honda-Ackerfräse arbeitet nur dann sicher und zuverlässig, wenn sie gemäß der Betriebsanleitung bedient wird. Lesen Sie vor dem Betreiben der Ackerfräse die Bedienungsanleitung sorgfältig durch. Andernfalls besteht Gefahr von Verletzungen oder Beschädigung des Gerätes kommen.

- Die Abbildung kann je nach Typ unterschiedlich sein.

---

### **Entsorgung**

Aus Umweltschutzgründen dürfen dieses Produkt, Batterien, Motoröl usw. nicht einfach in den Müll gegeben werden. Beachten Sie die örtlichen Gesetze und Vorschriften oder setzen Sie sich bezüglich Entsorgung mit Ihrem Honda-Vertragshändler in Verbindung.

# INHALT

---

1. SICHERHEITSANWEISUNGEN .....	3
2. LAGE DER SICHERHEITSAUFKLEBER .....	9
Platz für CE-Zeichen.....	10
Platzierungen der Seriennummern .....	11
3. BEZEICHNUNG DER BAUTEILE .....	12
4. ÜBERPRÜFUNGEN VOR DER INBETRIEBNAHME .....	14
5. ANLASSEN DES MOTORS.....	23
Vergasermodifikation für Betrieb in großer Höhenlage .....	26
6. BENUTZUNG DER ACKERFRÄSE .....	27
7. ABSTELLEN DES MOTORS.....	37
8. WARTUNG .....	40
9. TRANSPORT/LAGERUNG .....	61
10.FEHLERSUCHE .....	64
11.TECHNISCHE DATEN .....	65
ADRESSEN GRÖßERER Honda-HÄNDLER.....	Umschlagseite
„EG-Konformitätserklärung“ INHALTSÜBERSICHT.....	Umschlagseite

# 1. SICHERHEITSANWEISUNGEN

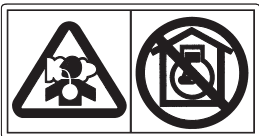
## ⚠️ WARNUNG

### Sicherer Betrieb–

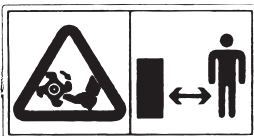
Für Ihre Sicherheit und die Sicherheit anderer Personen ist bei den folgenden Warnhinweisen besondere Vorsicht walten zu lassen:



- Die Honda Ackerfräse ist für sicheren und zuverlässigen Einsatz konstruiert, wenn sie gemäß den Anweisungen benutzt wird. Lesen Sie vor dem Betreiben der Ackerfräse die Bedienungsanleitung sorgfältig durch. Eine Missachtung der Richtlinien kann zu schweren Verletzungen sowie einer Beschädigung der Ackerfräse führen.



- Abgase enthalten Kohlenmonoxid, ein farb- und geruchloses Giftgas. Einatmung von Kohlenmonoxid kann Bewusstlosigkeit verursachen und tödlich wirken.
- Wenn Sie die Ackerfräse in einem geschlossenen oder auch nur teilweise geschlossenen Raum laufen lassen, kann die Luft, die Sie einatmen, eine gefährliche Abgasmenge enthalten.
- Die Ackerfräse darf auf keinen Fall in einer Garage, in einem Haus oder in der Nähe geöffneter Fenster und Türen betrieben werden.



- Die Zinken haben scharfe Kanten und drehen sich mit hoher Geschwindigkeit. Jede zufällige Berührung kann zu schweren Verletzungen führen.
- Bei laufendem Motor sind Hände und Füße von den Zinken entfernt zu halten.
- Den Motor abstellen und die Rotationszinken von der Kupplung trennen, bevor eine Überprüfung oder eine Reparatur an den Zinken vorgenommen wird.
- Den Zündkerzenstecker abziehen, um ein unbeabsichtigtes Anlassen zu verhindern. Zum Schutz der Hände müssen beim Überprüfen, Reinigen oder Auswechseln der Zinken dicke Handschuhe getragen werden.



- Kraftstoff ist äußerst leicht entflammbar und unter bestimmten Bedingungen explosiv.
- In der Nähe von gelagertem Benzin und im Bereich, wo die Ackerfräse nachgetankt wird, nicht rauchen und offene Flammen sowie Funken fern halten.
- Den Tank nicht überfüllen und nach dem Tanken sicherstellen, dass der Tankdeckel einwandfrei geschlossen ist.
- Nur in gut belüfteter Umgebung bei abgestelltem Motor auftanken.

## Verantwortung der Bedienungsperson

- Die Ackerfräse immer in einwandfreiem Betriebszustand halten. Der Betrieb eines Geräts, das sich in schlechtem oder vernachlässigtem Zustand befindetet, kann ernsthafte Verletzungen verursachen.
- Sich vergewissern, dass alle Sicherheitsvorrichtungen funktionieren und dass sich die Warnaufkleber an den korrekten Stellen befinden. Dies dient Ihrer Sicherheit.
- Sicherstellen, dass die Schutzabdeckungen (Zinkenabdeckungen, Gebläseabdeckung sowie Seilzugstarterabdeckung) an den vorgesehenen Stellen angebracht sind.
- Lernen Sie, wie man den Motor und den Zinkenmechanismus im Falle einer Notsituation schnell abstellt. Machen Sie sich mit der Funktion aller Bedienungselemente vertraut.
- Den Lenker fest anfassen. Dieser kann sich beim Einkuppeln anheben.

## **▲ WARNUNG**

### **Sicherer Betrieb–**

#### **Verantwortung der Bedienungsperson**

- Lesen Sie die Bedienungsanleitung sorgfältig durch. Machen Sie sich mit den Bedienungsorganen und dem vorgesehenen Zweck vertraut.
- Setzen Sie die Ackerfräse für den vorgesehenen Zweck, die Kultivierung des Bodens, ein. Niemals in Bereichen ackern, die Felsen und große Steine, Draht und andere harte Materialien enthalten.
- Lassen Sie niemals Kinder oder andere Personen, die nicht mit der Bedienungsanleitung vertraut sind, die Ackerfräse verwenden. Das Mindestalter der Bedienungsperson kann durch örtliche Vorschriften festgelegt sein.
- Überprüfen Sie vor jeder Verwendung die Ackerfräse visuell auf Verschleiß, Beschädigung und gelockerte Teile. Beschädigte Komponenten müssen nötigenfalls ersetzt werden.
- Nehmen Sie bitte zur Kenntnis, dass der Besitzer oder Betreiber der Ackerfräse für eventuelle Unfälle oder Schäden haftbar ist, wenn andere Personen oder Güter zu Schaden kommen.  
Wenn die Ackerfräse ausgeliehen wird, immer sicherstellen, dass die Bedienungsanleitung im Beisein des Benutzers übergeben wird.
- Achten Sie bei laufendem Motor stets darauf, dass sich Hände und Füße in sicherem Abstand von den Zinken befinden.
- Die Benutzung der Ackerfräse durch Personen, die mit der Bedienung nicht vertraut sind, kann Verletzungen zur Folge haben.
- Feste, hohe Arbeitsschuhe tragen. Die Ackerfräse darf auf keinen Fall barfuß, in offenen Schuhen oder Sandalen betrieben werden, da dies die Verletzungsgefahr erhöht.
- Passende Arbeitskleidung tragen. Lockere und flatternde Kleidung kann sich in den bewegenden Teilen verfangen und erhöht das Unfallrisiko.
- Sich voll auf die Arbeit konzentrieren. Die Ackerfräse niemals betreiben, wenn Sie müde sind oder sich nicht wohl fühlen; insbesondere nach dem Genuss von Alkohol oder dem Einnehmen von Arzneimitteln besteht erhöhte Verletzungsgefahr.
- Alle anderen Personen und Haustiere aus dem Arbeitsbereich fernhalten.
- Sich vergewissern, dass die Zugstange korrekt befestigt und eingestellt ist.
- Verändern Sie niemals die Einstellung des Drehzahlreglers; darauf achten, dass der Motor nicht überdreht wird.
- Lassen Sie den Motor entsprechend den in der Bedienungsanleitung enthaltenen Anweisungen an, wobei sich die Füße nicht in der Nähe der Zinken befinden dürfen.
- Beim Anlassen des Motors stets auf einen ausreichenden Sicherheitsabstand zwischen den Füßen und den Zinken achten.
- Vermeiden Sie es, die Ackerfräse bei Dunkelheit oder schlechter Sicht zu betreiben, da unter diesen Umständen erhöhte Unfallgefahr besteht.
- Die Ackerfräse stets im Schritttempo betreiben.
- Wenn die Ackerfräse in Rückwärtsrichtung bewegt wird, achten Sie besonders auf Personen oder Hindernisse, die sich hinter der Bedienungsperson befinden können.
- Vor dem Transportieren oder Anheben der Ackerfräse unbedingt den Motor abstellen.



## **▲ WARNUNG**

### **Sicherer Betrieb–**

#### **Verantwortung der Bedienungsperson**

- In den nachfolgenden Fällen muss der Motor abgestellt werden:
  - Wenn die Ackerfräse unbeaufsichtigt gelassen wird.
  - Vor dem Auftanken.
- Beim Abstellen des Motors den Gashebel auf die LOW-Position schieben, dann den Zündschalter auf AUS stellen. Wenn die Ackerfräse mit einem Kraftstoffhahn ausgestattet ist, muss auch der Kraftstoffhahn auf ZU gestellt werden.
- Achten Sie bei allen Schrauben, Muttern und anderen Befestigungsteilen auf guten Sitz, um die Ackerfräse stets in einem betriebssicheren Zustand zu halten. Regelmäßige Wartung ist wesentlich für die Sicherheit der Bedienungsperson und die Beibehaltung der hohen Leistung des Geräts.
- Die Ackerfräse niemals mit gefülltem Tank im Innern eines Gebäudes abstellen, da sich die entweichenden Kraftstoffdämpfe durch eine offene Flamme, Funkenbildung oder eine Wärmequelle entzünden können.
- Vor dem Abstellen in einem geschlossenen Raum den Motor abkühlen lassen.
- Um die Gefahr eines Feuers zu reduzieren, muss die Ackerfräse, insbesondere Motor und Schalldämpfer, sowie der Kraftstoffaufbewahrungsbereich von Grasresten, Blättern und überschüssigem Fett freigehalten werden.  
Behälter mit Pflanzenresten dürfen nicht in oder in der Nähe eines Gebäudes aufbewahrt werden.
- Den Kraftstofftank nur im Freien bei kaltem Motor entleeren.
- Abgenutzte oder beschädigte Teile aus Sicherheitsgründen austauschen.

#### **Sicherheitshinweise für Kinder**

- Bei allen Arbeiten mit motorgetriebenen Geräten in der Nähe eines Hauses sollten sich Kinder im Hausinnern und unter Aufsicht befinden. Insbesondere Kleinkinder sind von der Ackerfräse und deren Betrieb fasziniert und bewegen sich dann sehr schnell auf das Gerät zu.
- Verlassen Sie sich niemals darauf, dass sich Kinder noch am gleichen Ort befinden, an dem sie zuletzt gesehen wurden. Die Ackerfräse sofort abstellen, sobald Kinder in die Nähe des Geräts kommen.
- Es darf Kindern niemals erlaubt werden, die Ackerfräse zu bedienen - auch nicht unter der Aufsicht eines Erwachsenen.

#### **Gefahr durch herausgeschleuderte Gegenstände**

Gegenstände, die von den Zinken getroffen werden, können mit großer Wucht weggeschleudert werden und schwerwiegende Verletzungen verursachen.

- Vor der Inbetriebnahme die zu bearbeitende Fläche von Zweigen, Steinen, Draht, Glas usw. säubern. Nur bei Tageslicht arbeiten.
- Wenn die Fräsenzinken gegen einen Fremdgegenstand schlagen, ist die Ackerfräse sofort zu überprüfen. Vor der Wiederverwendung ist entweder eine Reparatur bzw. der Austausch der beschädigten Teile vorzunehmen.
- Ein weggeschleudertes Stück von abgenutzten oder gebrochenen Zinken kann schwere Verletzungen verursachen. Vor der Verwendung der Ackerfräse die Zinken stets auf einwandfreien Zustand überprüfen.

---

**▲ WARNUNG****Sicherer Betrieb–****Brand-und Verbrennungsgefahr**

Benzin ist äußerst feuergefährlich, und Kraftstoffdämpfe sind explosiv. Bei allen Arbeiten mit Kraftstoff äußerste Vorsicht walten lassen. Kraftstoff stets außerhalb der Reichweite von Kindern aufbewahren.

- Vor dem Anlassen des Motors muss Kraftstoff nachgefüllt werden. Während der Motor läuft oder heiß ist, darf niemals der Tankdeckel abgenommen oder Kraftstoff nachgefüllt werden.
- Nur in gut belüfteter Umgebung bei abgestelltem Motor auftanken.
- Das Auftanken immer im Freien vornehmen und dabei nicht rauchen.
- Vor dem Auftanken den Motor abkühlen lassen. Kraftstoffdämpfe oder verschütteter Kraftstoff können sich entzünden.
- Motor und Auspuffanlage erhitzen sich während des Betriebs sehr stark und bleiben auch nach dem Abstellen des Motors noch einige Zeit heiß. Die heißen Motorteile nicht berühren, um Verbrennungen oder die Gefahr eines Feuers zu vermeiden.
- Den heißen Motor oder die Auspuffanlage nicht berühren.
- Den Motor abkühlen lassen, bevor mit den Wartungsarbeiten begonnen oder die Ackerfräse im Innern eines Gebäudes abgestellt wird.
- Den Tankdeckel und alle Verschlüsse von Behältern gut festdrehen.
- Kraftstoff darf nur in dafür vorgesehenen Behälter aufbewahrt werden.
- Wenn Kraftstoff verschüttet wird, niemals den Versuch unternehmen, den Motor anzulassen. Die Ackerfräse aus dem verschütteten Kraftstoffbereich entfernen, um jeglicher Gefahr eines Brandes vorzubeugen (bis sich die Kraftstoffdämpfe aufgelöst haben).

---

**▲ WARNUNG****Sicherer Betrieb–****Vergiftung durch Kohlenmonoxid**

Auspuffgase enthalten giftiges Kohlenmonoxid, ein farb- und geruchloses Gas. Ein Einatmen dieser Gase kann Bewusstlosigkeit verursachen oder sogar zum Tod führen.

- Wenn der Motor in einem geschlossenen Raum oder einem beengten Arbeitsbereich läuft, kann die Atemluft mit gefährlichen Mengen von Auspuffgasen angereichert werden. Um eine Ansammlung der Gase zu vermeiden, ist unbedingt für ausreichende Belüftung zu sorgen.
- Den defekten Schalldämpfer ersetzen.
- Der Motor darf nicht in einem geschlossenen Raum betrieben werden, wo sich giftige Kohlenmonoxidgase ansammeln können.

**Betrieb an einem Abhang**

- Bei Arbeiten mit der Ackerfräse an einem Abhang den Kraftstofftank nur halb füllen, um ein Auslaufen des Kraftstoffs zu vermeiden.
- Es empfiehlt sich, einen Hang in horizontaler Richtung (in Reihen gleichen Abstands) und nicht von oben nach unten zu bearbeiten.
- Bei einer Richtungsänderung an einem Abhang sehr vorsichtig vorgehen.
- Die Ackerfräse nicht an einem Hang mit über 10° (17 %) einsetzen.

Der max. sichere Hangwinkel, welcher ausschließlich für Referenzzwecke gezeigt wird, muss je nach Art des Werkzeugs bestimmt werden. Vor dem Anlassen ist die Ackerfräse auf guten Betriebszustand zu überprüfen. Für Ihre Sicherheit und die Sicherheit anderer ist äußerste Vorsicht walten zu lassen, wenn die Ackerfräse auf Steigungen benutzt wird.

## 2. LAGE DER SICHERHEITS-AUFKLEBER

Diese Aufkleber warnen vor potenziellen ernstesten Unfallgefahren. Lesen Sie deshalb die Warnaufkleber sowie die in dieser Anleitung aufgeführten Vorsichtsmaßnahmen sorgfältig durch.

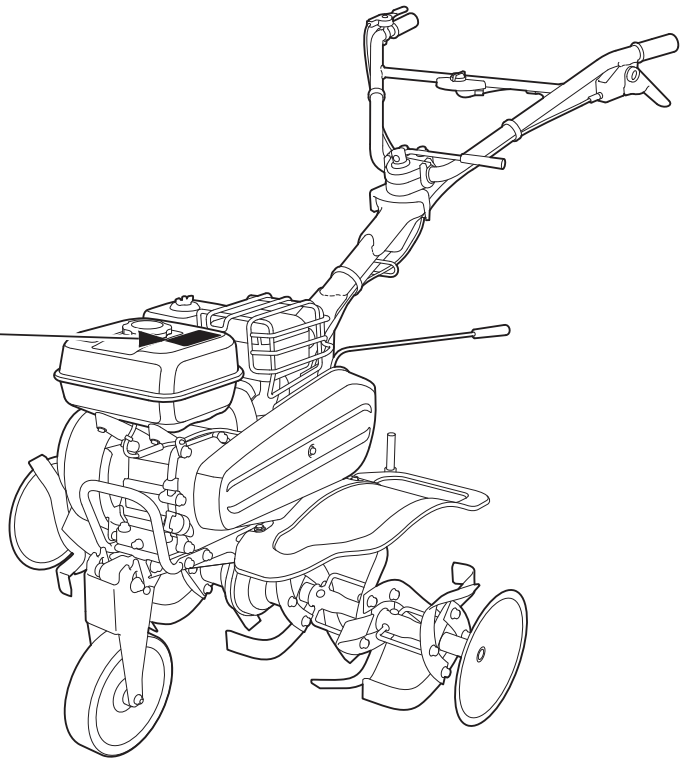
Wenn ein Aufkleber abfällt oder nur noch schwer lesbar ist, können Ersatzaufkleber von Ihrem Honda-Händler bezogen werden.

**BEDIENUNGSANLEITUNG LESEN**

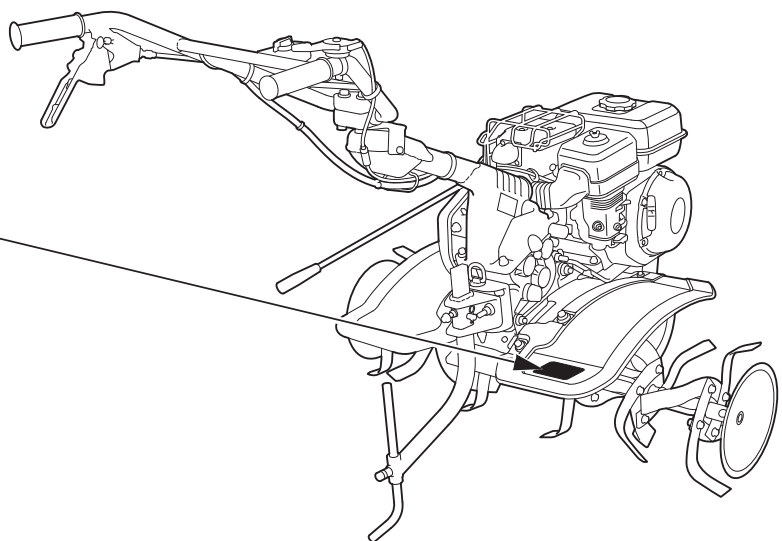
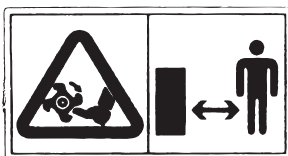
**VORSICHT AUSPUFF**



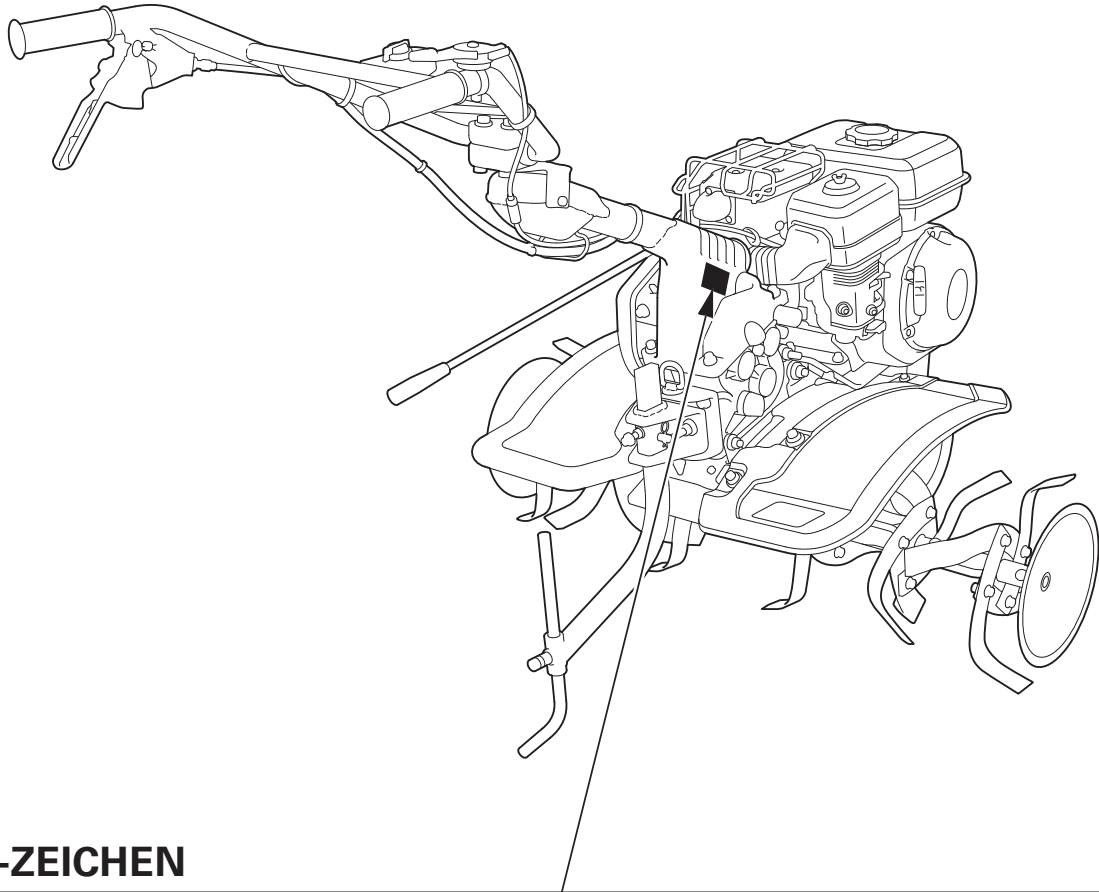
**VORSICHT KRAFTSTOFF**




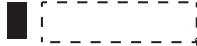




**GEFAHR BEIM SCHNEIDEN**



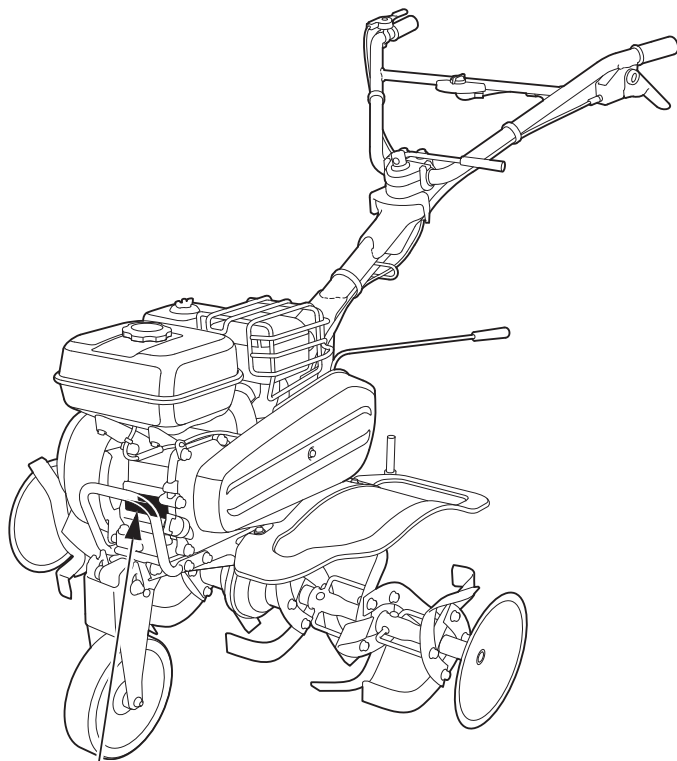
## Platz für CE-Zeichen



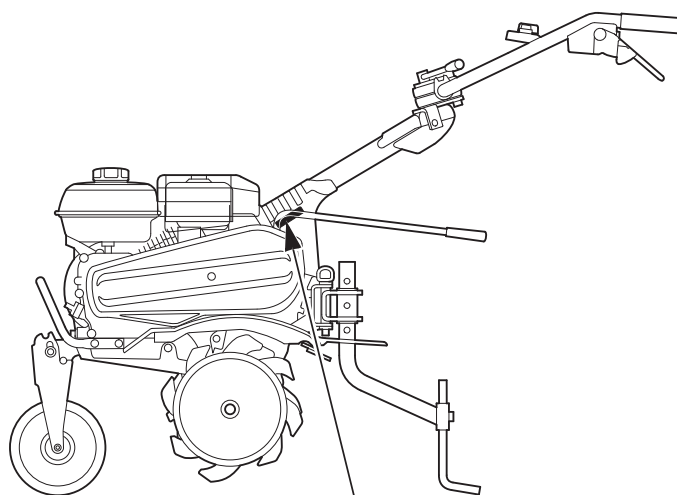
## CE-ZEICHEN

Name und Adresse des Herstellers		Name und Adresse des autorisierten Beauftragten	
Jialing-Honda Motors Co., Ltd. No.1 Guan Yue South Road. Yubei District, Chongqing, CHINA		Honda Motor Europe Ltd. Aalst Office Wijngaardveld 1 (Noord V), 9300 Aalst - BELGIUM	
	 kW		Herstellungsjahr
	 kW	 kg	Maschinenmasse (Standardausführung)
Nur DER-Typ	Nettleistung Motor	Beschreibungscode	

## Platzierungen der Seriennummern



**MOTOR-  
SERIENNUMMER**



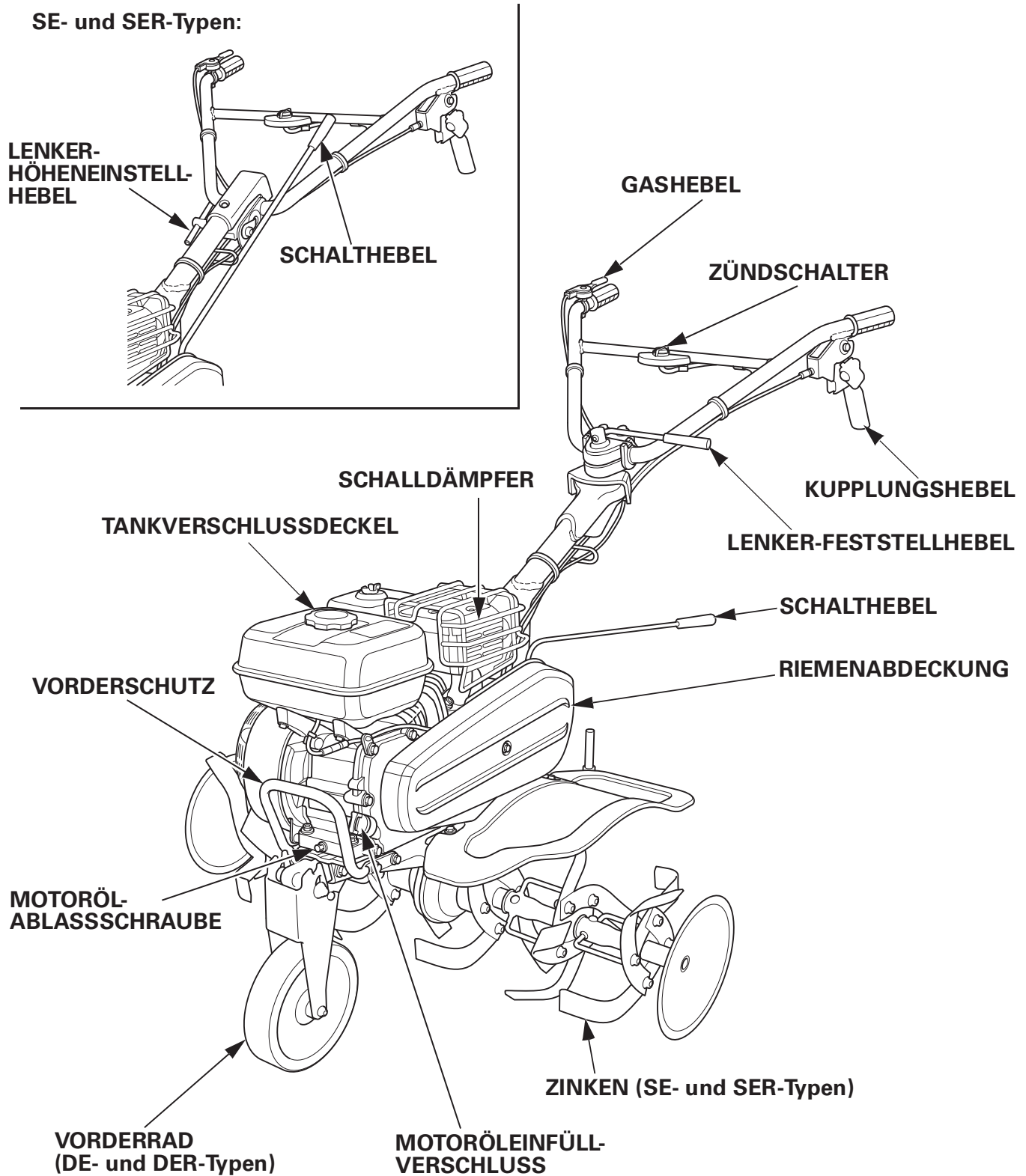
**RAHMEN-SERIENNUMMER**

Tragen Sie bitte die Rahmen- und Motor-Seriennummern an der dafür vorgesehenen Stelle unten ein. Sie benötigen diese Nummern zur Bestellung von Teilen.

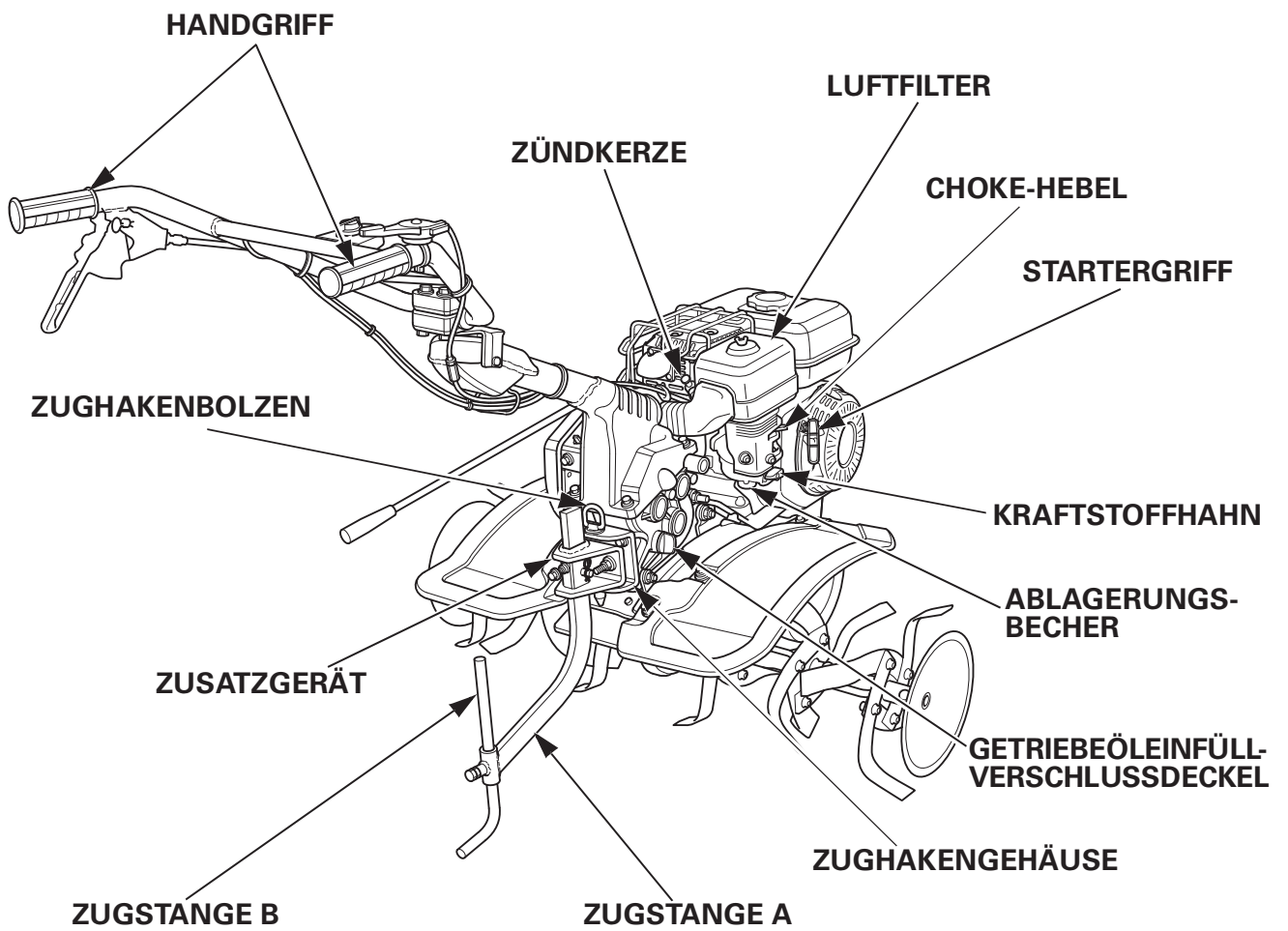
Rahmen-Seriennummer: \_\_\_\_\_

Motor-Seriennummer: \_\_\_\_\_

# 3. BEZEICHNUNG DER BAUTEILE









# 4. ÜBERPRÜFUNGEN VOR DER INBETRIEBNAHME

---

## **▲ WARNUNG**

**Die Ackerfräse auf einer festen, ebenen Fläche abstellen und waagrecht halten (d. h. mit Drehzinken, Vorderrad (DE- und DER-Typen) und Zugstange (siehe Seite 15)). Den Motor abstellen, bevor mit Wartungsarbeiten an der Ackerfräse begonnen wird. Wartungsarbeiten an der Ackerfräse auf instabilem Untergrund oder bei laufendem Motor können zu Verletzungen und/oder Sachschäden führen.**

Tägliche Überprüfung und Wartung der Ackerfräse ist für sicheren und zuverlässigen Betrieb von ausschlaggebender Bedeutung. Vor Inbetriebnahme sind die folgenden Kontrollen durchzuführen.

### **1. Ackerfräsen-Außenfläche**

Auf Kraftstoff- und Motoröllecks prüfen.

Sicherstellen, dass sich kein entzündliches Material (Staub, Stroh usw.) in der Nähe des Motors befindet.

### **2. Betätigungshebel-Funktionstüchtigkeit**

Sicherstellen, dass sich der Hebel ruckfrei betätigen lässt.

### **3. Kabel und Züge**

Die Isolierung der Kabel und Züge auf Risse und Schnitte prüfen.

Prüfen, ob ein Kabel oder Zug durch angrenzende Teile eingeklemmt ist.

### **4. Motorbetrieb**

- Den Motor starten. Auf ungewöhnliche Geräusche prüfen. (Bezüglich Startverfahren siehe Seiten 23 bis 25).
- Lässt sich der Motor mit dem Zündschalter einwandfrei stoppen? (Bezüglich Stoppverfahren siehe Seiten 37 bis 39).
- Falls Sie andere ungewöhnliche Symptome feststellen, wenden Sie sich bitte unverzüglich an Ihren Honda-Händler.

### **5. Schrauben und Muttern**

Prüfen, ob festgezogene Teile locker sind. Alle losen Teile festziehen.

## 6. Motoröl

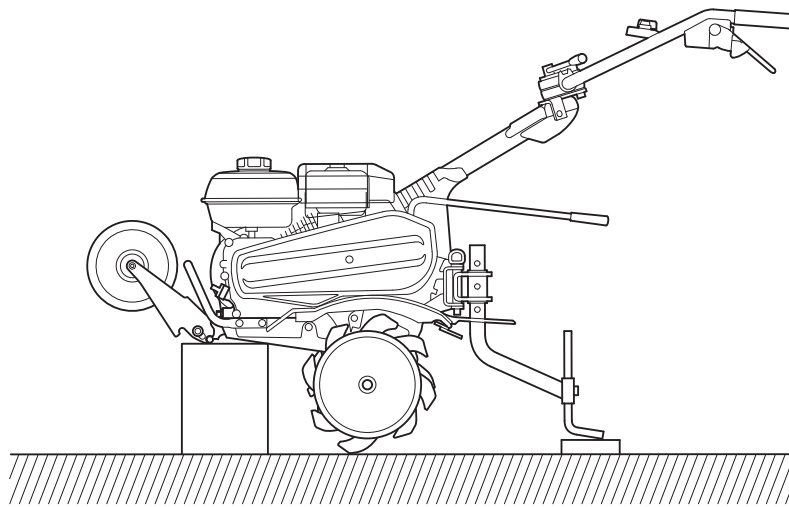
### VORSICHT:

Das Betreiben des Motors mit zu wenig Öl kann zu einem schweren Motorschaden führen.

1. DE- und DER-Typen:

Das Vorderrad in die Position AUF stellen (siehe Seite 34).

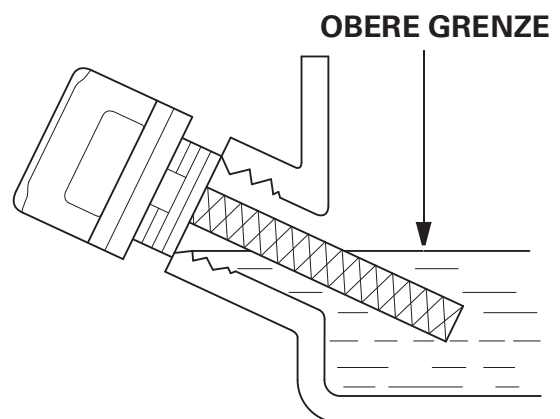
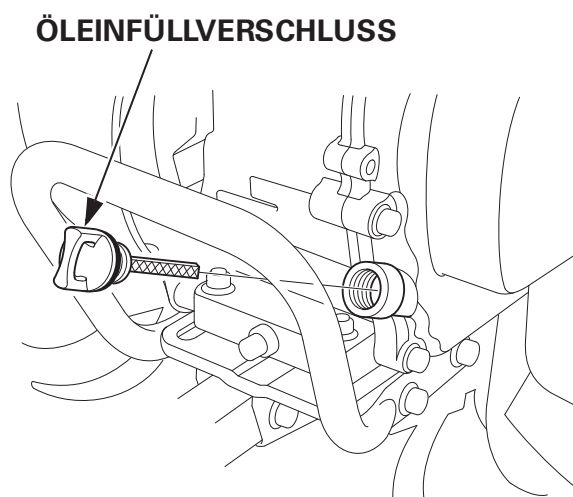
2. Die Maschine auf einer waagrechten Fläche platzieren, den Motor abstellen, eine passende Abstützung unter dem vorderen Rahmen und einen Holzsech unter der Zugstange anbringen, damit die Fräse waagrecht steht.



3. Den Öleinfüllverschluss abnehmen.

4. Den Ölstand prüfen. Wenn der Ölstand unter der oberen Grenze liegt, empfohlenes Öl bis zur oberen Grenze auffüllen (siehe Seite 16).

5. Den Öleinfüllverschluss wieder sicher anbringen.



---

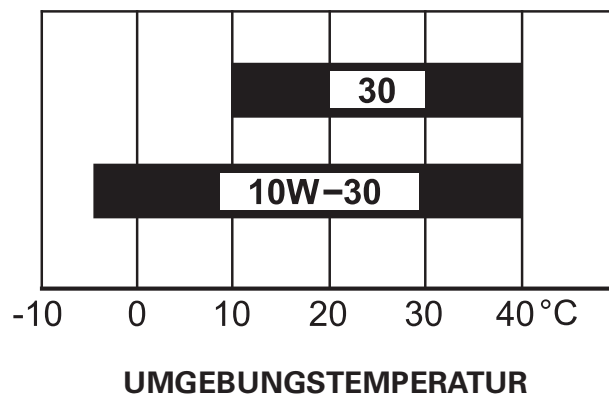
## Empfohlenes Öl

Verwenden Sie ein Motoröl für Viertaktmotoren, das die Anforderungen für API-Serviceklasse SE oder höher (bzw. gleichwertig) erfüllt oder überschreitet. Prüfen Sie stets das API-Service-Etikett am Ölbehälter, um sicherzugehen, dass es die Buchstaben SE oder die einer höheren Klasse (bzw. entsprechende) enthält.

### VORSICHT:

**Die Verwendung von unverseiftem Motoröl oder Öl für Zweitaktmotoren verkürzt die Lebensdauer des Motors.**

SAE 10W-30 empfiehlt sich für allgemeinen Gebrauch. Andere in der Tabelle angegebene Viskositäten können verwendet werden, wenn die durchschnittliche Temperatur in Ihrem Gebiet innerhalb des angezeigten Bereichs liegt.



## 7. Getriebeöl

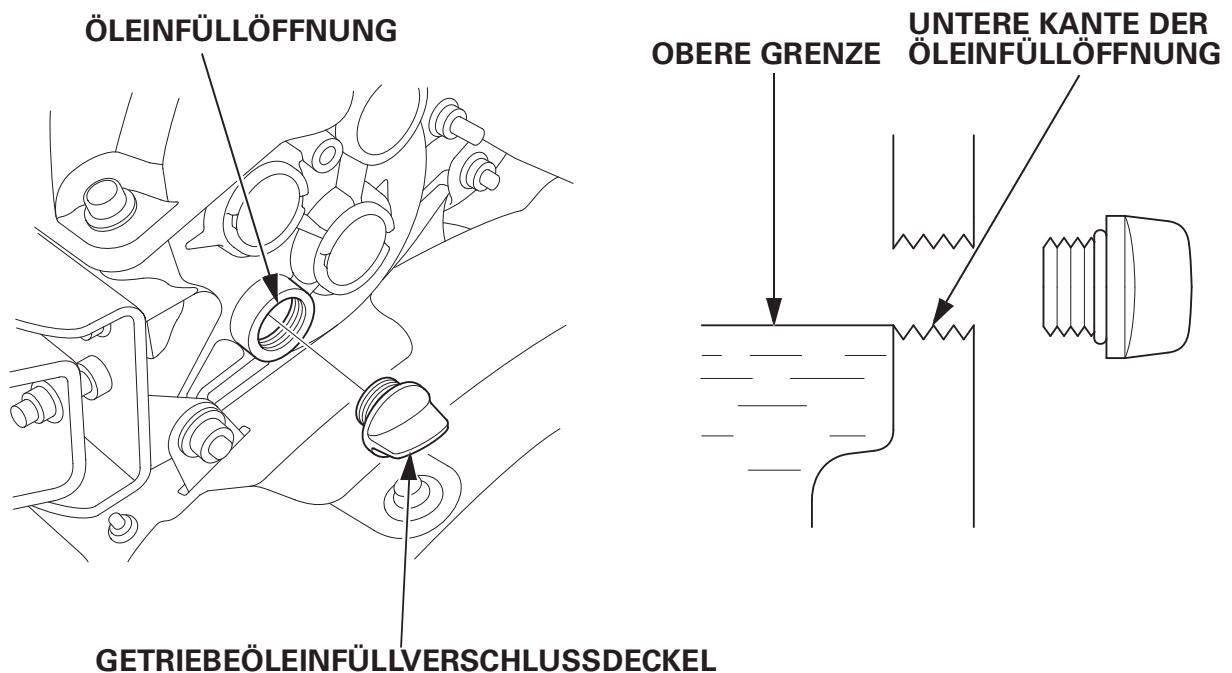
Die Maschine auf einer waagrechten Fläche platzieren, und den Öleinfüllverschluss entfernen.

Der Ölstand sollte sich auf der Höhe der Unterkante der Öleinfüllöffnung befinden.

Bei zu niedrigem Füllstand Motoröl guter Qualität nachfüllen.

### Empfohlenes Öl

Verwenden Sie ein 10W-30 Motoröl für Viertaktmotoren, das die Anforderungen für API-Serviceklasse SE oder höher (bzw. gleichwertig) erfüllt oder überschreitet. Prüfen Sie stets das API-Service-Etikett am Ölbehälter, um sicherzugehen, dass es die Buchstaben SE oder die einer höheren Klasse (bzw. entsprechende) enthält.



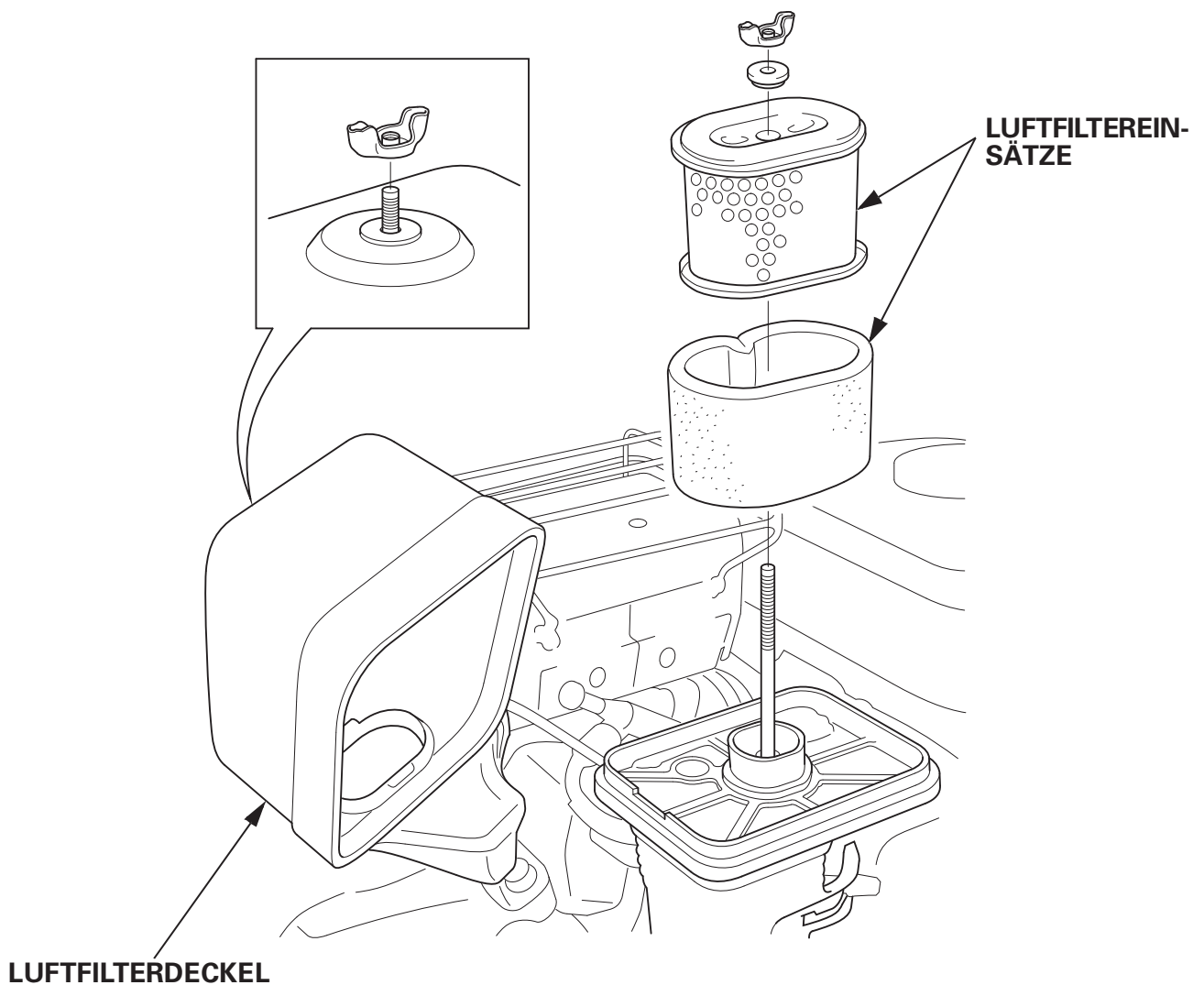
## 8. Luftfilter

### VORSICHT:

Der Motor darf niemals ohne Luftfilter betrieben werden. Ein schneller Motorverschleiß ist die Folge.

Den Luftfilterdeckel abnehmen.

Die Luftfiltereinsätze auf Verschmutzung und Verstopfung kontrollieren. Erforderlichenfalls reinigen (siehe Seite 43).



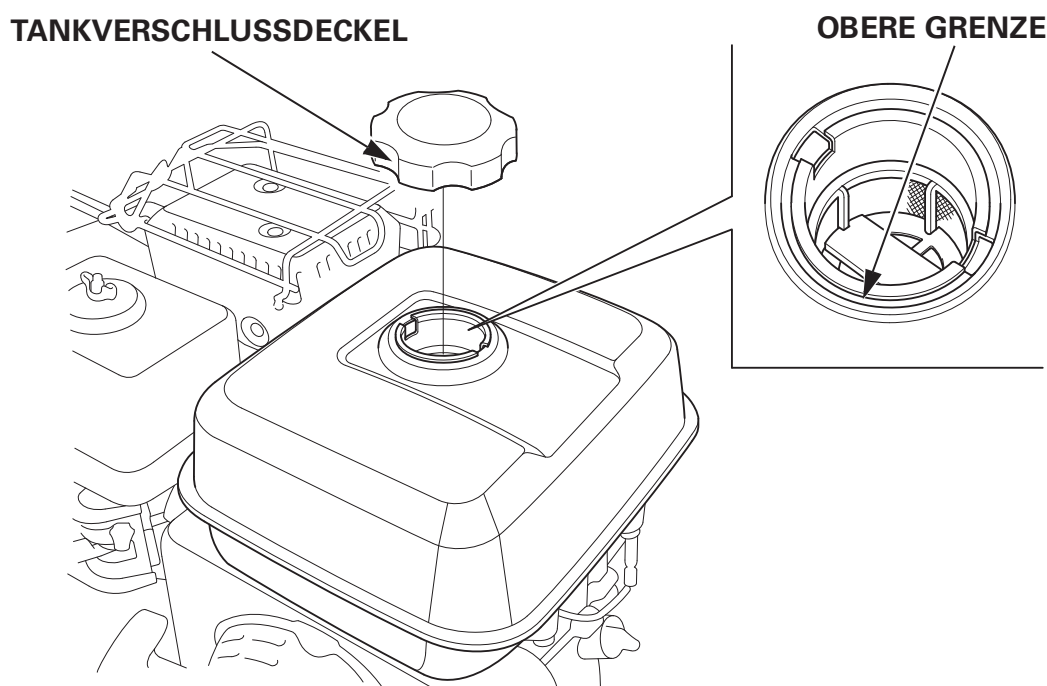
## 9. Kraftstoff

Den Kraftstoffstand kontrollieren und gegebenenfalls den Tank auffüllen. Bleifreies Benzin mit einer Research-Oktananzahl von 91 oder höher (einer Zapfsäulen-Oktananzahl von 86 oder höher) verwenden.

Niemals abgestandenen oder verschmutzten Kraftstoff bzw. ein Öl-/Kraftstoffgemisch verwenden. Unbedingt vermeiden, dass Öl oder Wasser in den Kraftstofftank eindringt.

### ▲ WARNUNG

- **Kraftstoff ist äußerst leicht entflammbar und unter bestimmten Bedingungen explosiv.**
- **Nur in gut belüfteter Umgebung bei abgestelltem Motor auftanken. Beim Auftanken des Motors oder an Orten, wo Benzin gelagert wird, nicht rauchen und offene Flammen oder Funken fernhalten.**
- **Den Kraftstofftank nicht überfüllen (Der Kraftstoff darf nicht im Einfüllstutzen zu sehen sein.). Nach dem Tanken sicherstellen, dass der Tankdeckel richtig aufgesetzt und gut festgedreht ist.**
- **Darauf achten, dass beim Auftanken kein Kraftstoff verschüttet wird. Kraftstoffdämpfe und verschütteter Kraftstoff können sich entzünden. Wenn Benzin verschüttet worden ist, vergewissern Sie sich, dass die Umgebung getrocknet ist, bevor Sie den Motor wieder starten.**
- **Wiederholten bzw. längeren Hautkontakt bzw. das Einatmen von Kraftstoffdämpfen vermeiden. AUS DER REICHWEITE VON KINDERN FERNHALTEN!**



---

## HINWEIS:

Einflussfaktoren wie Lichteinstrahlung, Umgebungstemperatur und Lagerzeit können die Beschaffenheit des Benzins verändern. In krassen Fällen kann Benzin schon innerhalb von 30 Tagen unbrauchbar werden.

Durch Gebrauch minderwertigen Benzins kann ein ernsthafter Motorschaden verursacht werden (Vergaserverstopfung, Ventilklemmen usw.).

Schäden, die sich auf den Gebrauch minderwertigen Benzins zurückführen lassen, sind von der Garantie nicht abgedeckt.

Um derartige Schäden zu vermeiden, sollten Sie sich an die folgenden Empfehlungen halten:

- Nur das vorgeschriebene Benzin verwenden (siehe Seite 19).
- Frisches und sauberes Benzin verwenden.
- Benzin sollte in einem zugelassenen Kraftstoffbehälter aufbewahrt werden, um eine Qualitätsminderung hinauszuzögern.
- Wenn eine längere Außerbetriebsetzung (länger als 30 Tage) geplant ist, Kraftstofftank und Vergaser entleeren (siehe Seite 61).

## **Alkoholhaltiges Benzin**

Falls Sie sich für die Verwendung von alkoholhaltigem Benzin (Gasohol) entscheiden, vergewissern Sie sich, dass seine Oktanzahl mindestens so hoch ist wie die von Honda für bleifreies Benzin empfohlene.

Es gibt zwei Arten von „Gasohol“: die eine enthält Ethanol und die andere Methanol.

Verwenden Sie kein Gasohol, das mehr als 10 % Ethanol enthält.

Verwenden Sie kein Benzin, das mehr als 5 % Methanol (Methyl- oder Holzalkohol) enthält, und auch kein Benzin mit Methanolgehalt, das nicht Kosolventen und Korrosionsinhibitoren für Methanol enthält.

## HINWEIS:

- Kraftstoffsystemschäden und Motorleistungsstörungen, die sich auf den Gebrauch von Benzin mit einem höheren Alkoholgehalt als empfohlen zurückführen lassen, sind von der Garantie nicht abgedeckt.
- Bevor Sie Benzin bei einer Ihnen unbekanntem Tankstelle kaufen, sollten Sie zunächst feststellen, ob das Benzin Alkohol enthält, und wenn ja, welchen Typ und zu welchem Prozentsatz.

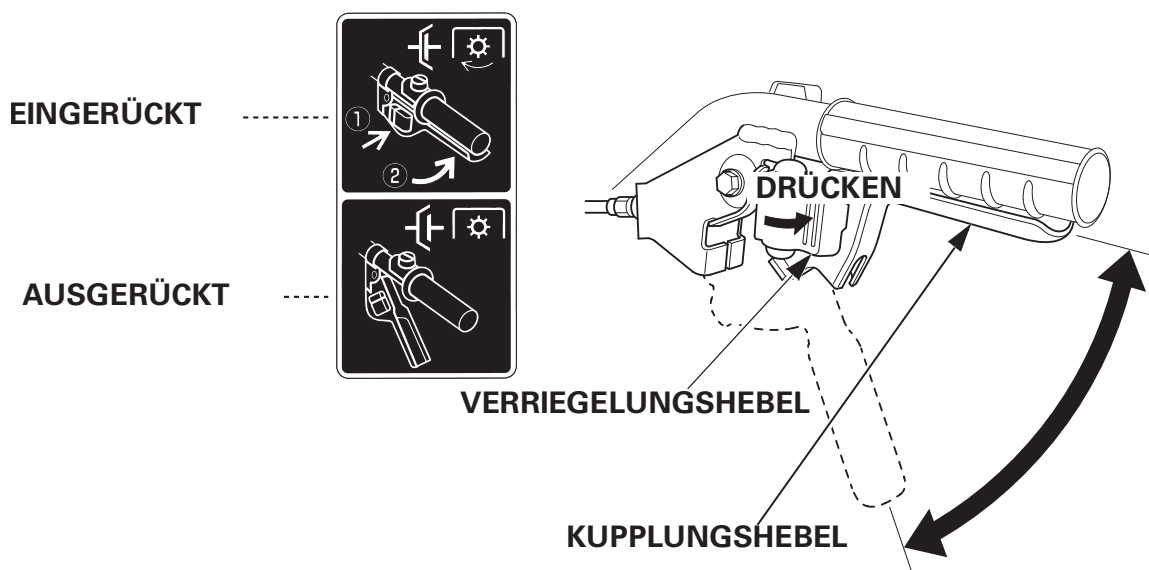
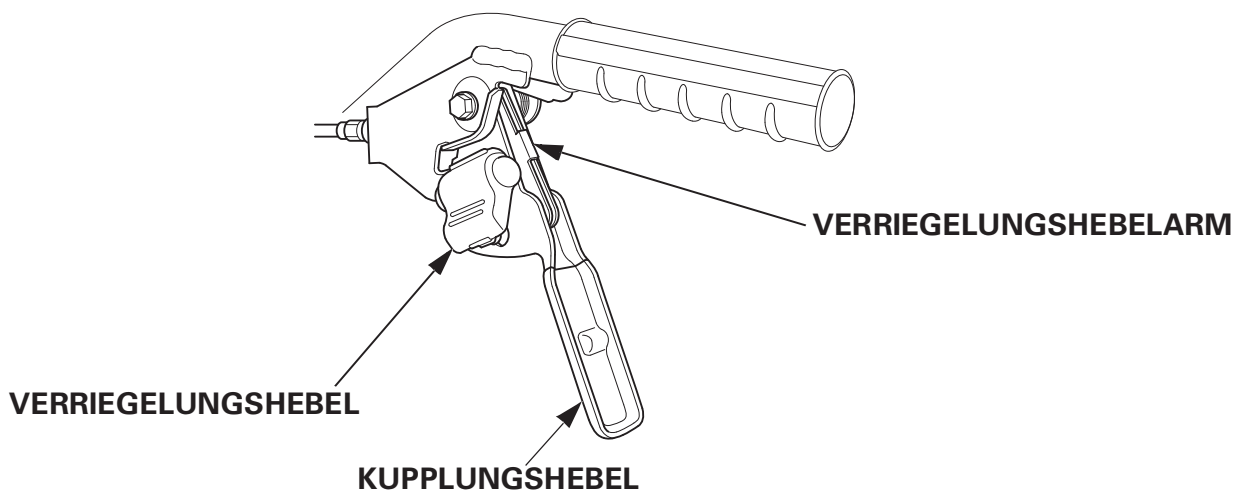
Falls irgendwelche ungewünschte Symptome während des Betriebs mit einem Benzin auftreten, sollten Sie zu einem Benzin wechseln, das mit Sicherheit weniger als die empfohlene Alkoholmenge enthält.

## 10. Kupplungshebel

Stellen Sie vor der Funktionsprüfung sicher, dass sich keine Fremdkörper (Sand, Erde, Zweige) um den Kupplungshebel, Verriegelungshebel und/oder Verriegelungshebelarm herum angesammelt haben.

Sicherstellen, dass sich Verriegelungshebel und Kupplungshebel ruckfrei betätigen lassen, indem der Verriegelungshebel gedrückt und der Kupplungshebel gezogen wird.

Wenn der Verriegelungshebel und der Kupplungshebel nicht richtig funktionieren, oder wenn die Kupplung bei Ziehen des Kupplungshebels einrückt, ohne dass der Verriegelungshebel gedrückt ist, den Kupplungshebel zerlegen und reinigen (siehe Seite 50).





---

## **11. Werkzeuge und Aufsätze**

Um ein Werkzeug oder Zusatzgerät an der Ackerfräse anzubringen, muss die Bedienungsanleitung zur Hand genommen werden, welche mit dem Werkzeug oder dem Zusatzgerät mitgeliefert wurde. Sollten sich beim Einbau von Werkzeug oder Zusatzgerät irgendwelche Probleme oder Schwierigkeiten ergeben, sprechen Sie bitte mit ihrem Honda-Fachhändler.

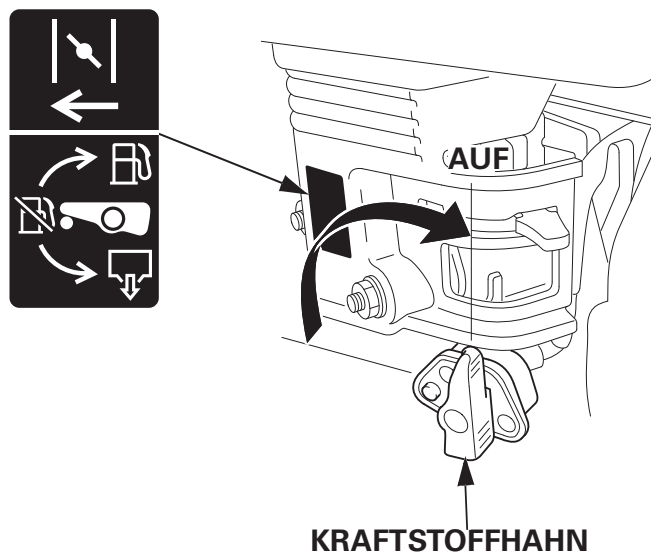
## 5. ANLASSEN DES MOTORS

### VORSICHT:

Sicherstellen, dass die Kupplung ausgerastet ist und der Schalthebel sich in Neutralstellung befindet, um unkontrollierte Bewegungen beim Anspringen des Motors zu vermeiden.

Die Kupplung wird durch Anziehen des Hebels ein- und durch Loslassen des Hebels ausgerückt.

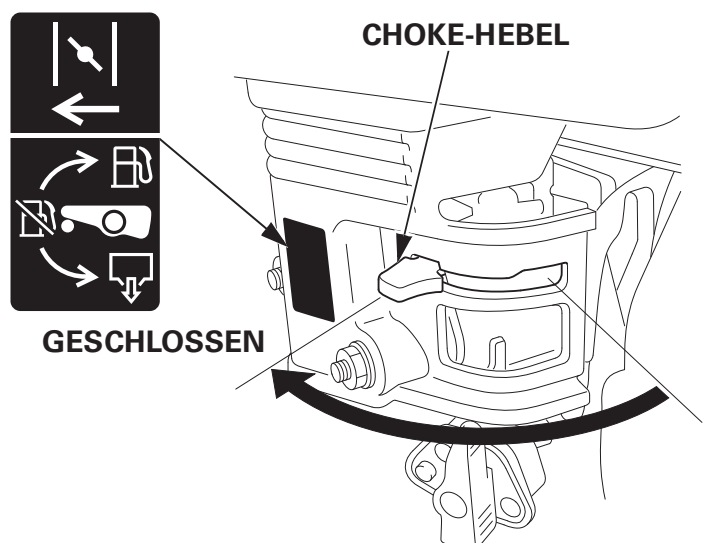
1. Den Kraftstoffhahn auf AUF drehen.



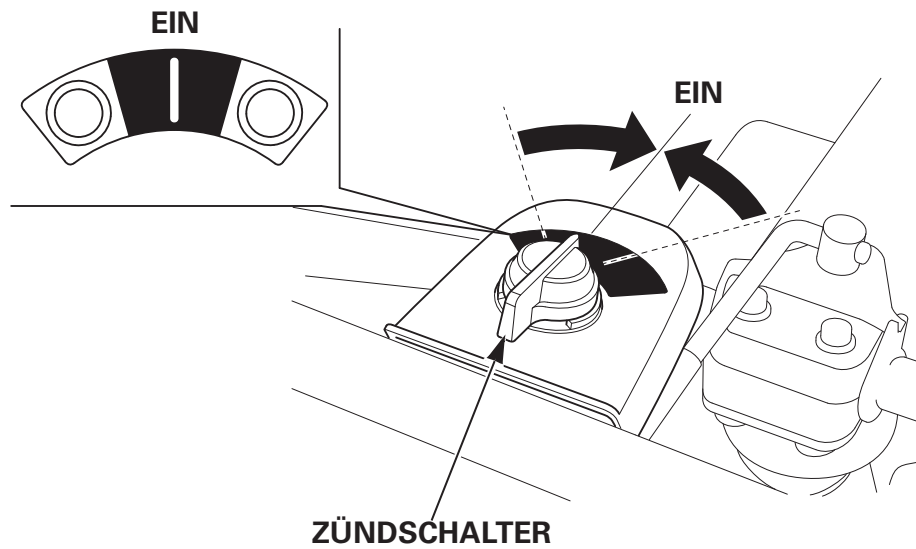
2. Bei kaltem Wetter bzw. bei kaltem Motor ist der Choke-Hebel in die GESCHLOSSEN-Position zu schieben.

### HINWEIS:

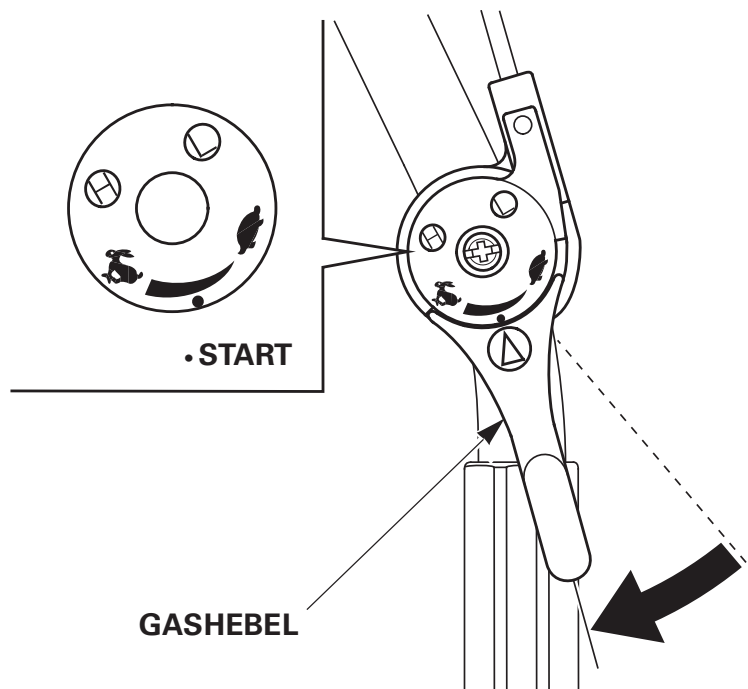
Der Choke darf bei heißem Motor und hoher Außentemperatur nicht verwendet werden.



3. Den Zündschalter auf die EIN-Position einstellen.

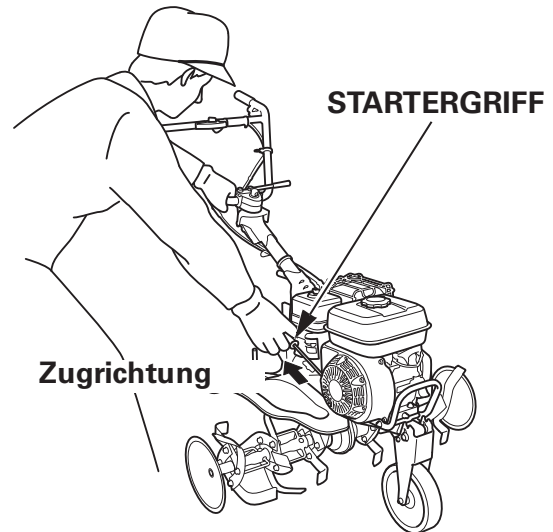


4. Die Markierung „ $\triangle$ “ am Drosselhebel auf die Markierung „ $\bullet$ “ (START-Position) wie gezeigt ausrichten.



5. Den Startergriff leicht ziehen, bis Widerstand zu spüren ist, und ihn dann einmal zurückgehen lassen.

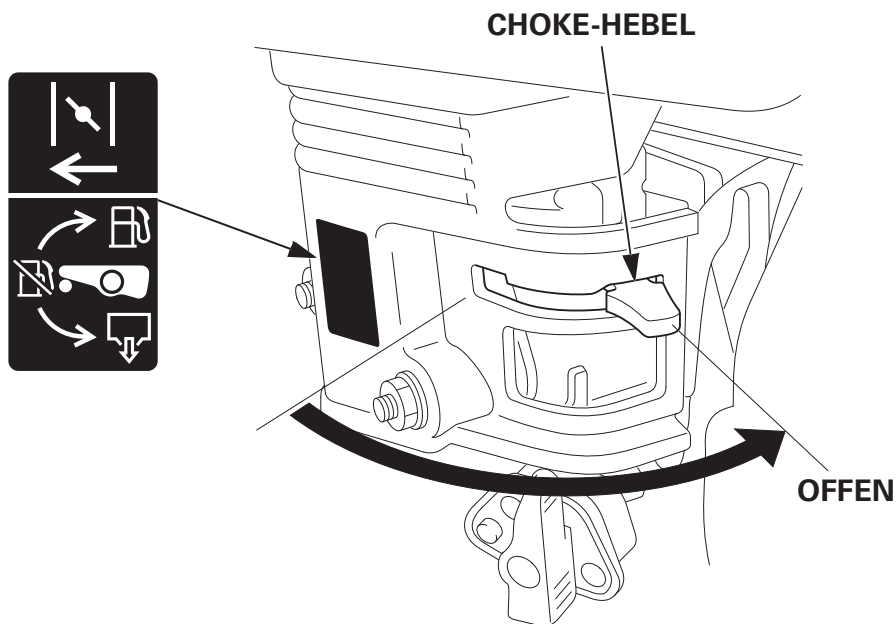
Den Lenker mit der linken Hand festhalten und den Startergriff kräftig in Pfeilrichtung durchziehen, wie gezeigt.



**VORSICHT:**

**Den Startergriff nicht auf den Motor zurückschnellen lassen, um eine Beschädigung des Anlassers zu verhindern.**

6. Den Motor einige Minuten lang warmlaufen lassen. Wenn der Choke auf GESCHLOSSEN gestellt worden ist, ihn allmählich in die Stellung OFFEN bringen, während der Motor warmläuft.



---

## Vergasermodifikation für Betrieb in großer Höhenlage

In großer Höhenlage ist das Standard-Vergaser-Kraftstoff/Luft-Gemisch zu fett. Die Leistung nimmt ab, der Kraftstoffverbrauch hingegen zu. Ein sehr fettes Gemisch führt auch zu einer Verschmutzung der Zündkerze und zu Startproblemen. Längerer Betrieb in einer Höhenlage, die nicht in den Bereich fällt, für den dieser Motor als geeignet befunden worden ist, kann erhöhte Emissionswerte zur Folge haben.

Bei Betrieb in großer Höhenlage kann die Motorleistung durch entsprechende Vergasermodifikationen verbessert werden. Wenn die Ackerfräse stets in Höhenlagen von über 1.500 Metern betrieben wird, lassen Sie diese Vergasermodifikationen von Ihrem Wartungshändler vornehmen. Wenn der Motor in großen Höhenlagen mit den entsprechenden Vergasermodifikationen betrieben wird, erfüllt er während seiner gesamten Lebensdauer jede Emissionsnorm.

Selbst bei Vergasermodifikation nimmt die Motorleistung pro 300 m Höhenzunahme um etwa 3,5 % ab. Wenn keine Vergasereinstellung durchgeführt wird, ist der Leistungsverlust noch gravierender.

### **VORSICHT:**

**Wenn der Vergaser für Betrieb in großer Höhenlage modifiziert worden ist, wird bei Betrieb in niedrigeren Lagen ein zu mageres Gemisch aufbereitet. Betrieb mit einem modifizierten Vergaser in kleineren Höhenlagen als 1.500 Meter kann zu Motorheißlauf und schweren Motorschäden führen. Für Gebrauch in niedrigeren Höhen lassen Sie den Vergaser von Ihrem Händler auf die ursprüngliche Werksspezifikation zurückstellen.**

# 6. BENUTZUNG DER ACKERFRÄSE

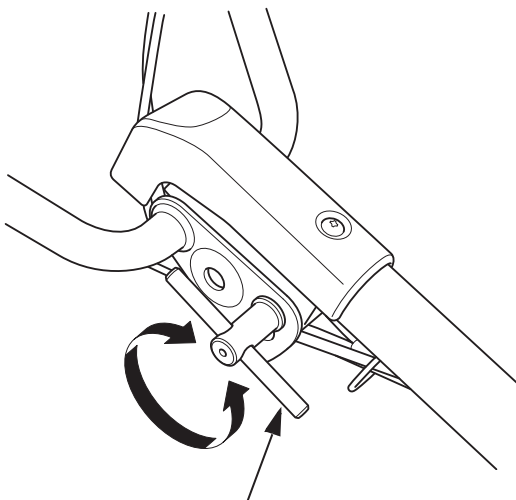
## 1. Lenkerhöhereinstellung

### VORSICHT:

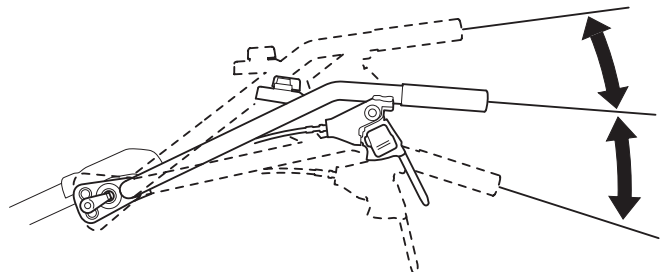
Vor dem Einstellen des Lenkers ist die Ackerfräse auf einer waagrechten Fläche abzustellen, damit der Lenker nicht zufällig zusammenklappt.

SE- und SER-Typen:

Zum Einstellen der Lenkerhöhe muss der Lenkerhöhereinsteller gelockert werden; danach die geeigneten Einstellöffnungen wählen und den Einsteller festziehen.



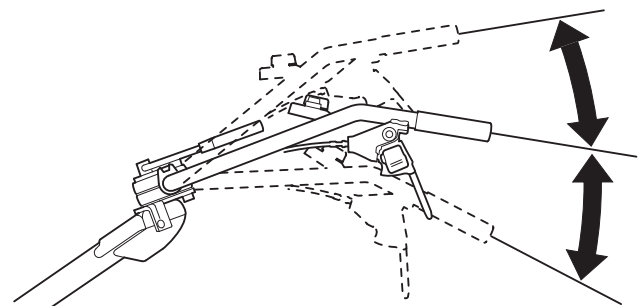
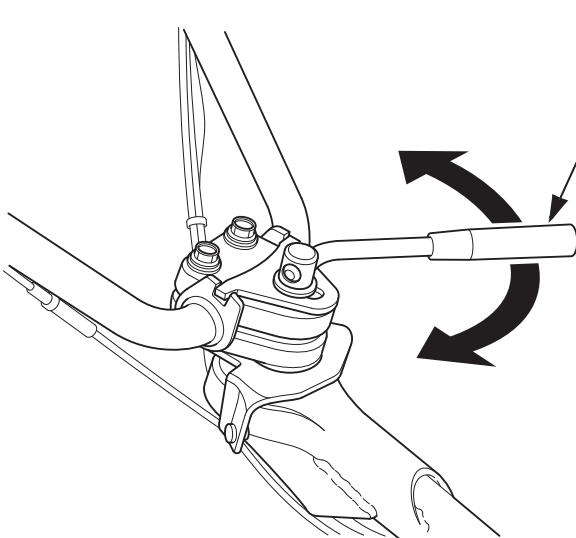
LENKER-HÖHEREINTELLHEBEL



DE- und DER-Typen:

Um die Lenkerhöhe einzustellen, den Lenker-Feststellhebel lockern, den Lenker auf die geeignete Position einstellen, dann den Feststellhebel wieder festziehen.

LENKER-FESTSTELLHEBEL

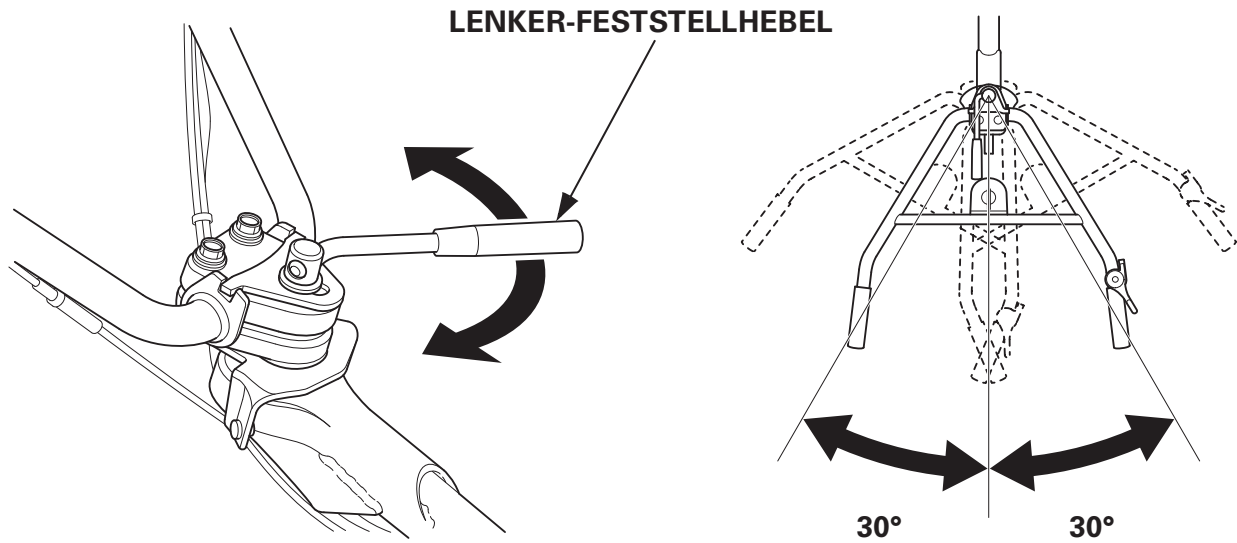


## 2. Einstellung des Lenkerwinkels

DE- und DER-Typen:

Wenn eine Einstellung des Lenkerwinkels erforderlich wird, den Lenker-Feststellhebel lockern und den Lenker in die erforderliche Position bringen.

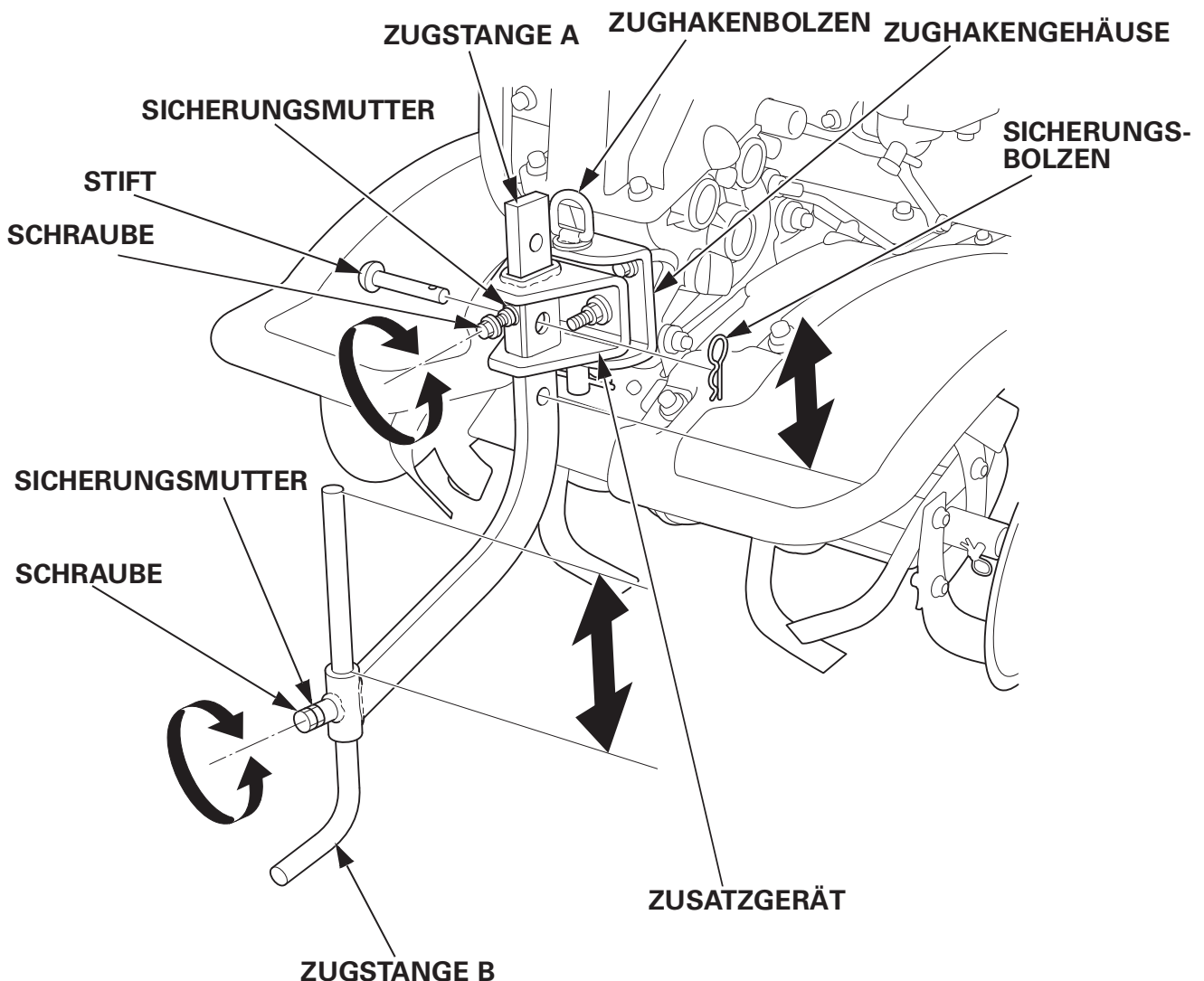
Der Lenker kann von der Mitte aus um je  $30^\circ$  nach links und rechts ausschwenken.



### 3. Einstellung der Eindringtiefe in den Boden

Das Zusatzgerät in das Zughakengehäuse einstecken und mit dem Zughakenbolzen befestigen. Die Eindringtiefe in den Boden lässt sich folgendermaßen einstellen:

Sicherungsstift und Bolzen abnehmen, die Sicherungsmuttern sowie die Befestigungsschrauben der Zugstangen A und B lösen und die Zugstangen bedarfsgemäß nach oben oder unten verschieben. Nach der Einstellung die Schrauben und Sicherungsmuttern gut festziehen. Den Stift einsetzen und den Sicherungsbolzen anbringen.





## 4. Betätigen der Kupplung

Die Kupplung stellt die Kraftübertragung vom Motor zum Getriebe her und unterbricht diese.

### **VORSICHT:**

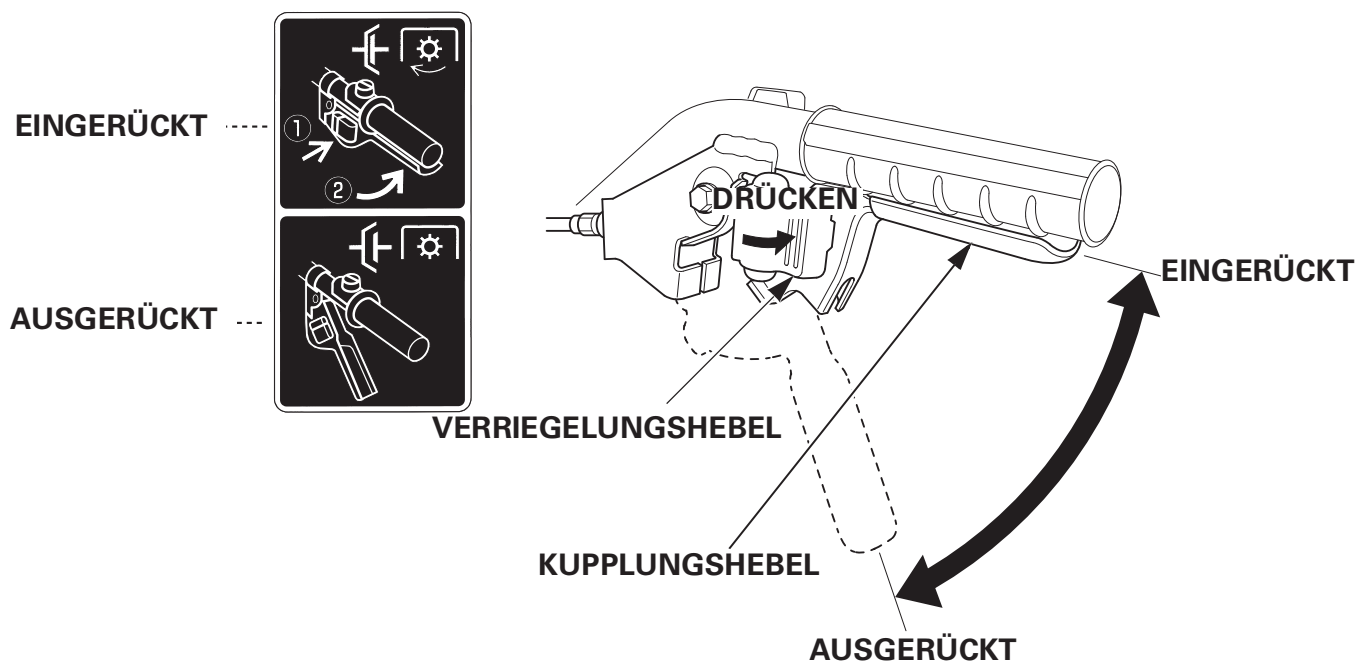
**Vor der Kupplungsbetätigung die Motordrehzahl reduzieren.**

Einrücken:

1. Den Verriegelungshebel drücken und gedrückt halten.
2. Den Kupplungshebel ziehen.
3. Die Kupplung ist eingerückt, den Verriegelungshebel loslassen.

Auskuppeln:

Den Kupplungshebel loslassen.



## 5. Wahl der Gänge

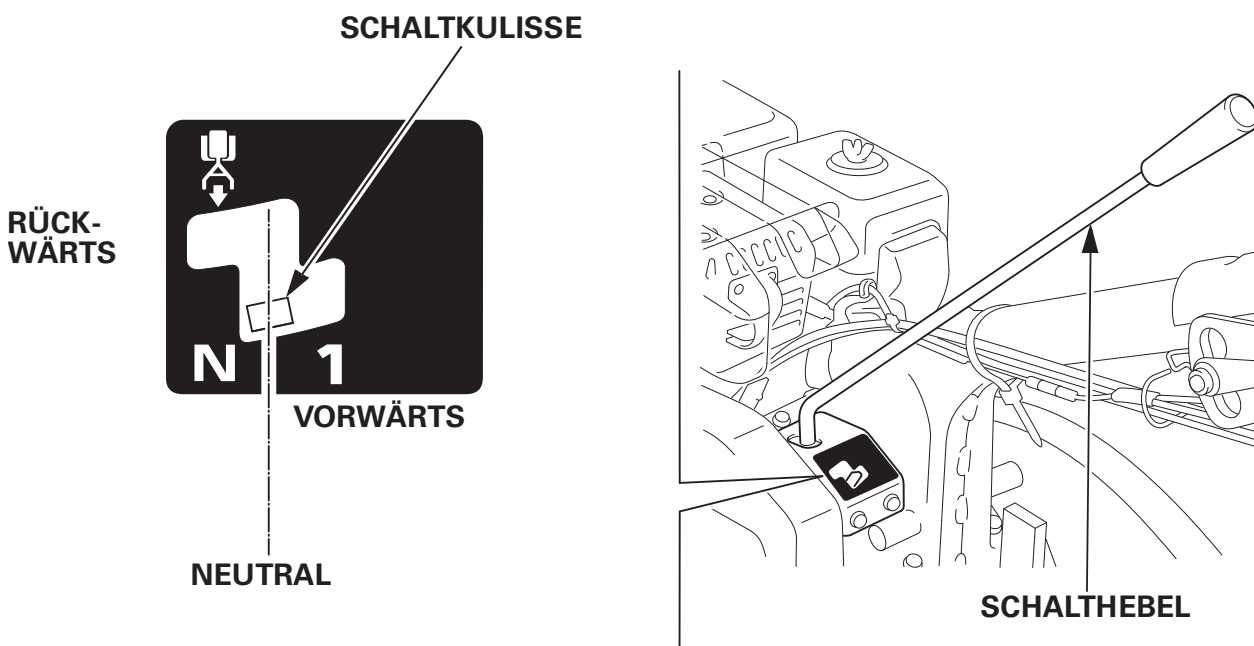
### VORSICHT:

**Den Gashebel in die Leerlaufstellung bringen und die Hauptkupplung vor Betätigen des Schalthebels ausrücken. Übermäßige Kraftaufwendung auf den Schalthebel vermeiden.**

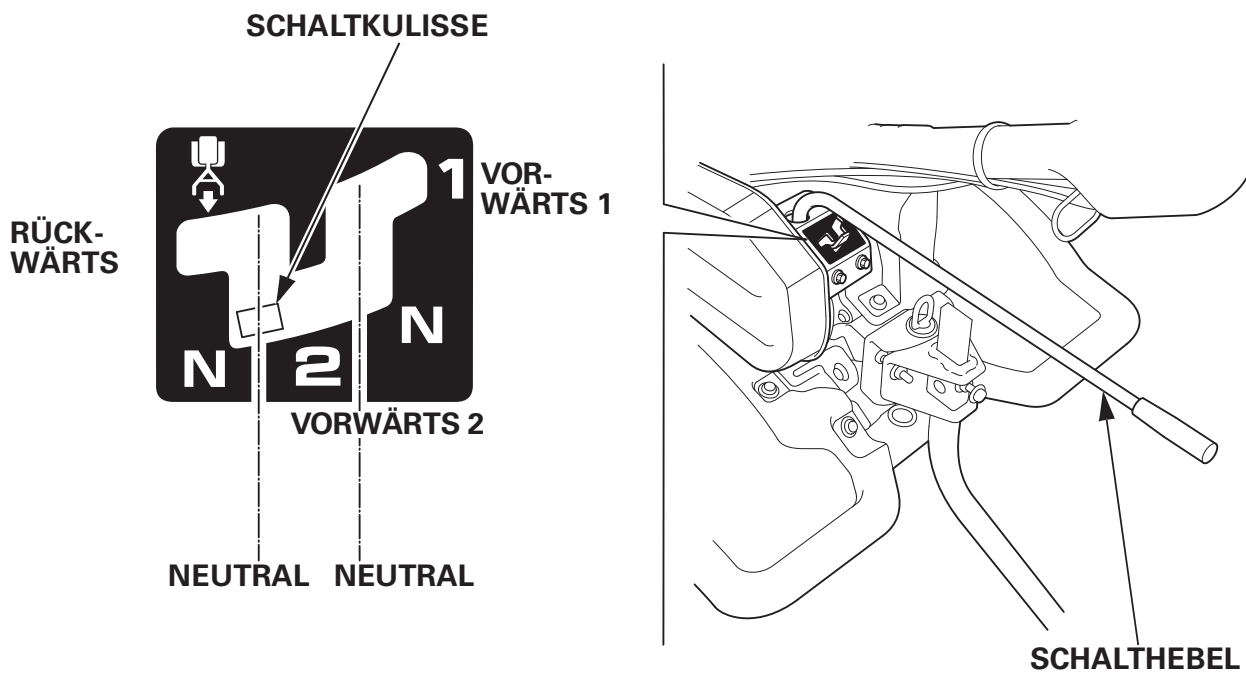
Eine Gangposition gemäß der Gangwahltabelle wählen.

- Den Ganghebel immer erst nach dem Ausrücken der Kupplung betätigen.
- Wenn sich der Ganghebel nur schwer schalten lässt, die Kupplung einmal ziehen und wieder loslassen, dann den Ganghebel erneut betätigen.
- Beim Rückwärtsfahren ist besonders auf die eigenen Füße zu achten. Dabei sind folgende Vorsichtsmaßnahmen einzuhalten:
  1. Sicherstellen, dass sich hinter Ihnen keine Personen bzw. Hindernisse befinden.
  2. Die Motordrehzahl vermindern.
  3. Den Lenker mit beiden Händen kräftig festhalten.
  4. Die Kupplung leicht einrücken lassen und sicherstellen, dass sie jederzeit wieder ausgerückt werden kann.

SE- und SER-Typen:



DE- und DER-Typen:



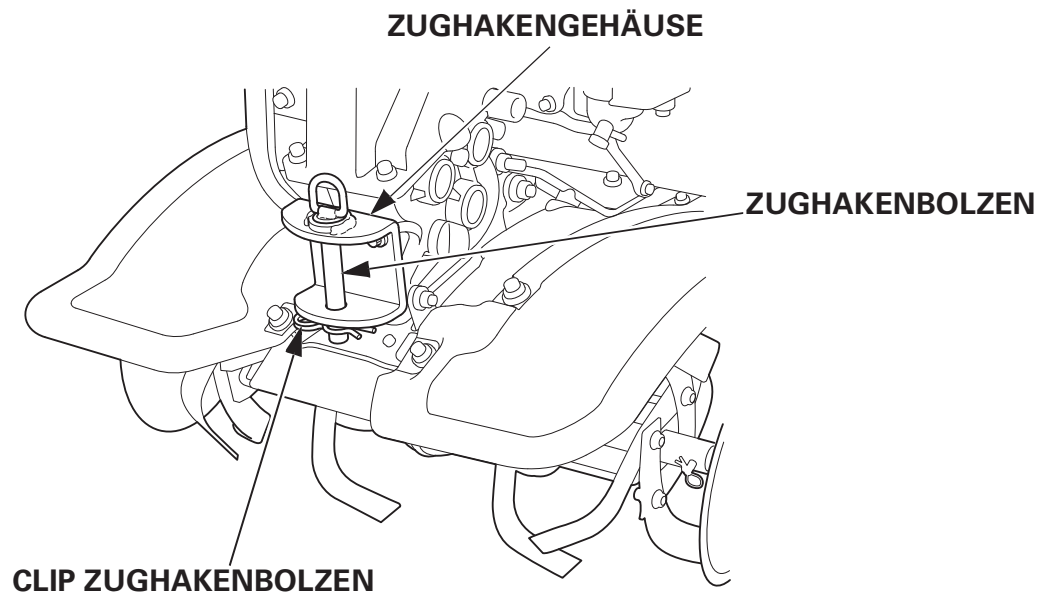
Gangwahltabelle (bei einer Motordrehzahl von 3.600 U/min)

Gangposition	Zinkendrehzahl		Geeignet für
	SE, SER	DE, DER	
1	112,9 U/ min	79,5 U/ min	Transport der Ackerfräse, Aufladen der Ackerfräse auf einen LKW, Platzieren auf und Entfernen von der Einsatzfläche.
2		112,9 U/ min	Transport der Ackerfräse, Aufladen der Ackerfräse auf einen LKW, Platzieren auf und Entfernen von der Einsatzfläche.
Rückwärts- gang	28,0 U/ min	28,0 U/ min	Verfahren der Ackerfräse

---

## 6. Benutzung des Zughakengehäuses

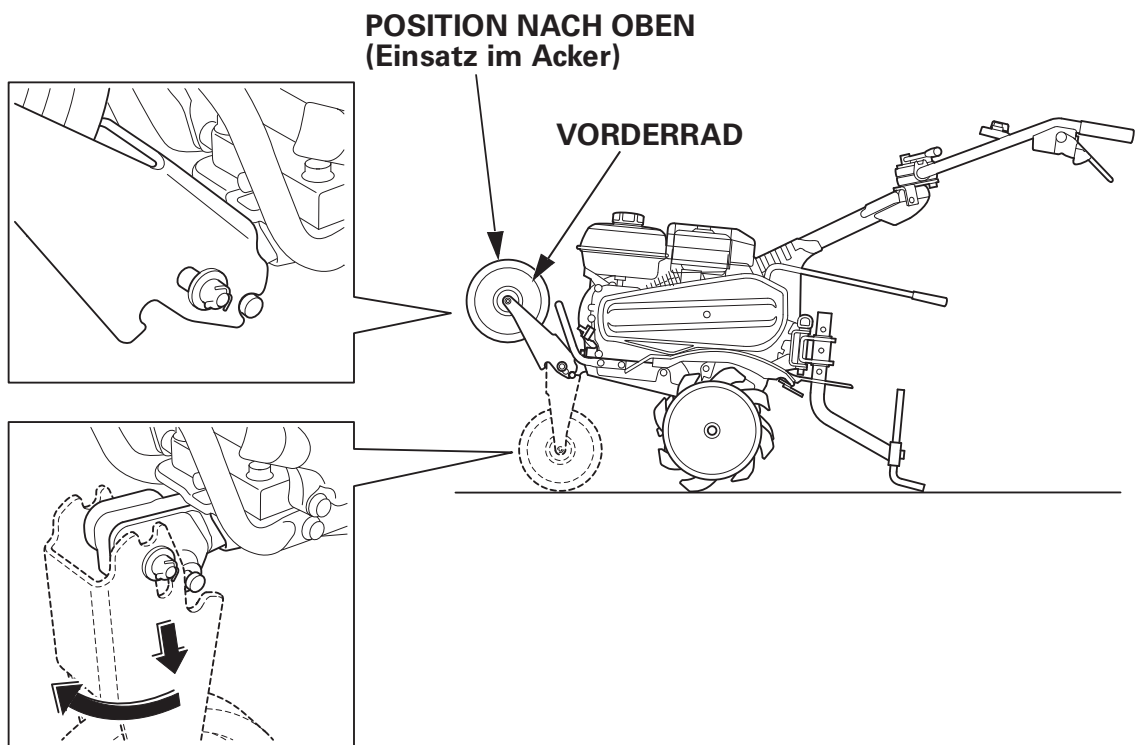
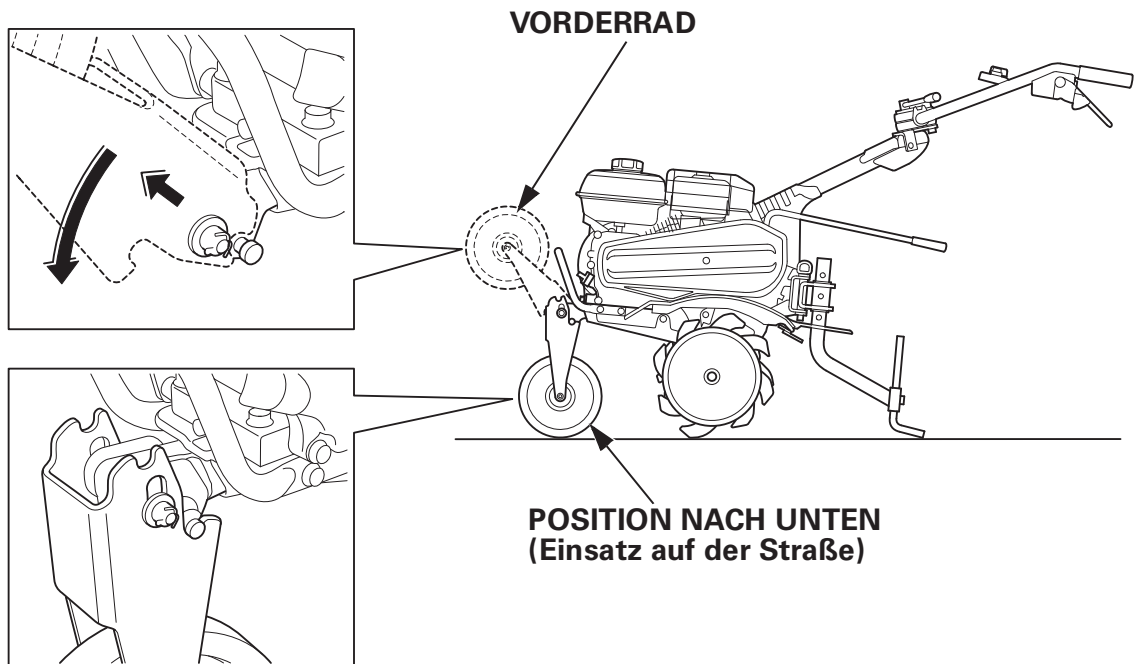
Das Zusatzgerät in das Zughakengehäuse einstecken und mit dem Zughakenbolzen befestigen. (Die Bolzenklammer schnappt in den Bolzen ein, um ihn festzuhalten.)



## 7. Vorderrad (DE- und DER-Typen)

Nachdem die Ackerfräse auf das Feld gebracht worden ist, muss das Vorderrad in die Anhebeposition gebracht werden. Vor dem Anheben oder Absenken des Vorderrads muss der Motor immer abgestellt werden.

Zum Anheben/Absenken des Vorderrads zuerst die Radeinheit herausziehen, das Rad drehen und dann die Radeinheit freigeben.



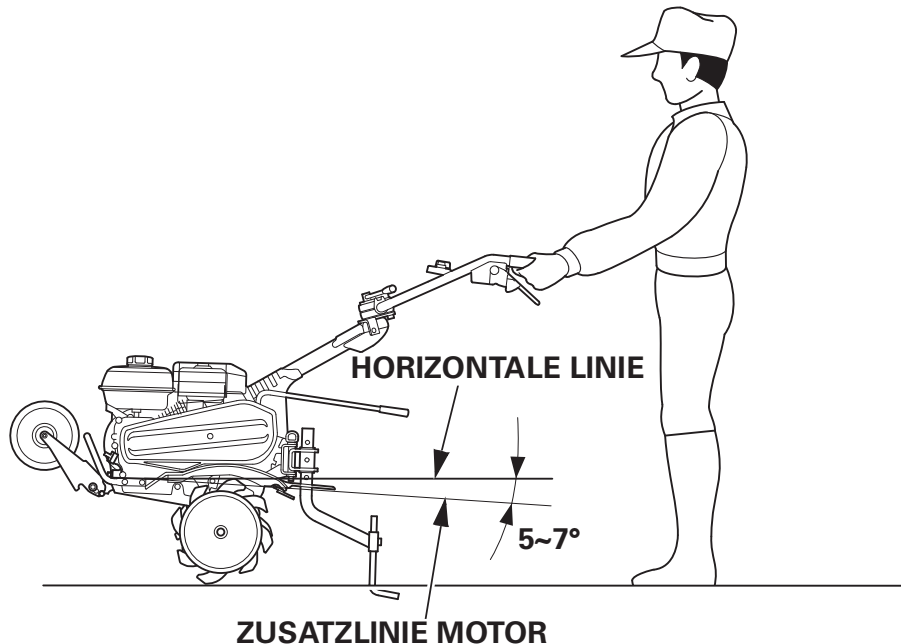
---

## 8. Wissenswertes über den Umgang mit der Ackerfräse

- Wenn sich die Ackerfräse schnell nach vorne bewegt, den Lenker nach unten drücken und die Zugstange in den Boden eingreifen zu lassen, um die Vorwärtsbewegung der Ackerfräse zu verlangsamen. Das Hinunterdrücken des Lenkers solange fortsetzen, bis sich die Fräsenzinken auf die geeignete Tiefe eingraben und eine leichtere Handhabung der Ackerfräse erreicht wird.
- Wenn sich die Fräsenzinken eingraben, die Ackerfräse sich jedoch nicht weiterbewegt, ist der Lenker etwas anzuheben und von einer zur anderen Seite zu bewegen. Wenn sich die Fräsenzinken immer noch eingraben und sich die Fräse nicht nach vorne bewegt, ist die Zugstange um ein Loch höher zu setzen.
- Beim Wenden der Ackerfräse ist am Lenker hinunterzudrücken, um das Gewicht nach hinten zu verlagern; dadurch wird der Wendevorgang erleichtert.

## 9. Winkel für Normalbetrieb

Den Lenker leicht absenken, so dass die Vorderseite der Maschine um ca.  $5 \sim 7^\circ$  angehoben wird.



Um den maximalen Vorteil aus der Ackerfräse herauszuholen, das Gerät beim Ackern im gezeigten Winkel betreiben.

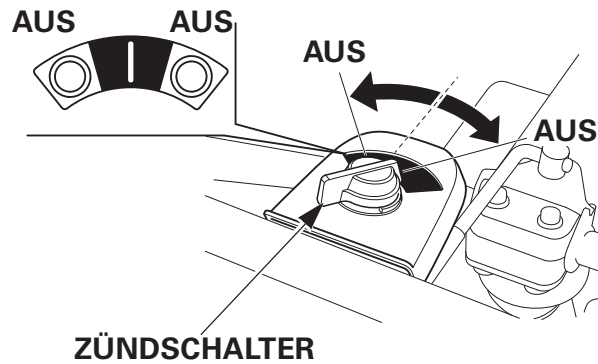
### VORSICHT:

- Die Ackerfräse nicht mit einem Rotor betreiben, dessen Durchmesser 325 mm überschreitet.
- Das Betreiben der Ackerfräse auf starkem Gefälle kann zum Überschlagen der Maschine führen.
- Die Erlaubnis zum Betreiben der Ackerfräse für Personen ohne Schulung kann zu Verletzungen führen.
- Festes, geschlossenes Schuhwerk tragen. Das Betreiben der Ackerfräse ohne Schuhe bzw. offenen Schuhen oder Sandalen erhöht das Verletzungsrisiko.
- Die Ackerfräse niemals bei Dunkelheit betreiben.
- Wenn der Rotor mit Erde und Kieselsteinen zugesetzt ist, den Motor sofort abstellen und den Rotor an einem sicheren Ort reinigen. Beim Reinigen des Rotors unbedingt dicke Schutzhandschuhe tragen. Um größere Schäden zu vermeiden, überprüfen Sie die Ackerfräse nach jedem Gebrauch auf Anzeichen von Beschädigungen und andere Fehler, die zu Störungen führen können.

# 7. ABSTELLEN DES MOTORS

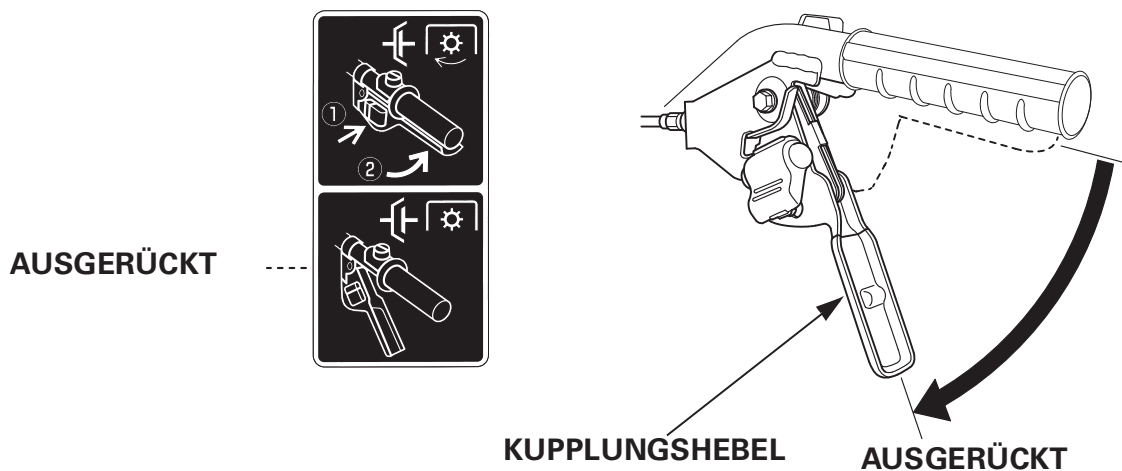
Im Notfall:

- Den Zündschalter auf AUS drehen.

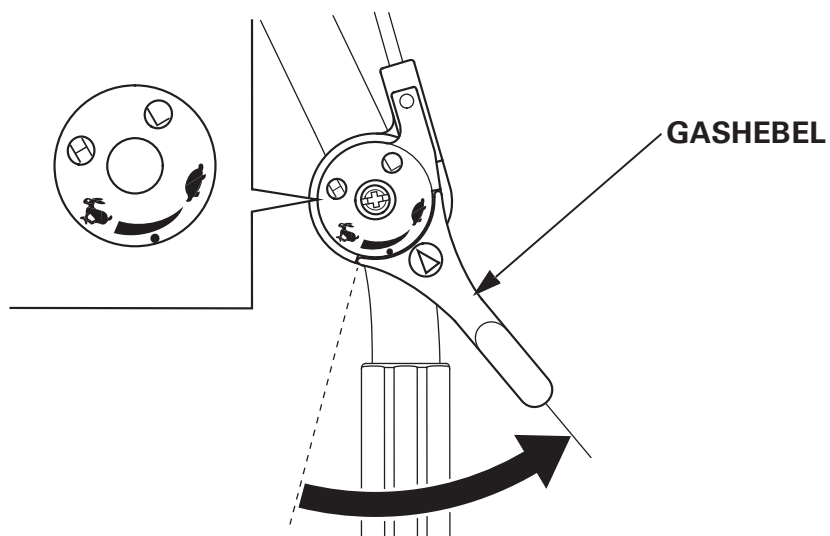


Bei normaler Benutzung:

1. Den Kupplungshebel auf DISENGAGED (AUSGERÜCKT) stellen.



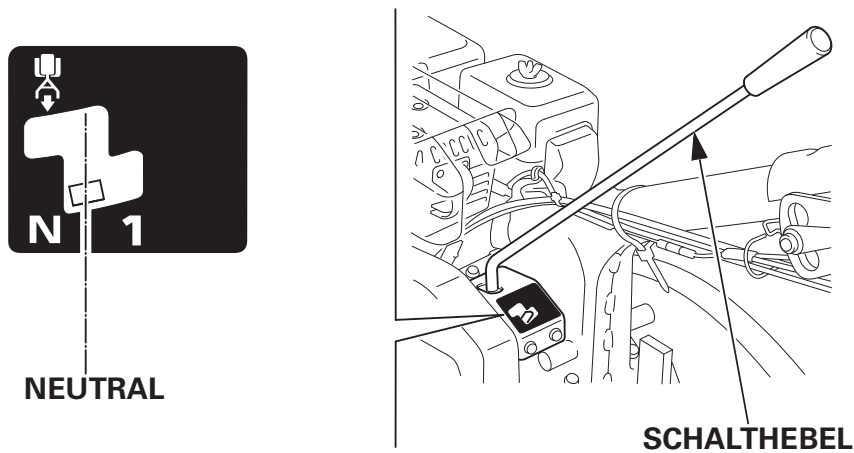
2. Den Gashebel ganz nach rechts bewegen.



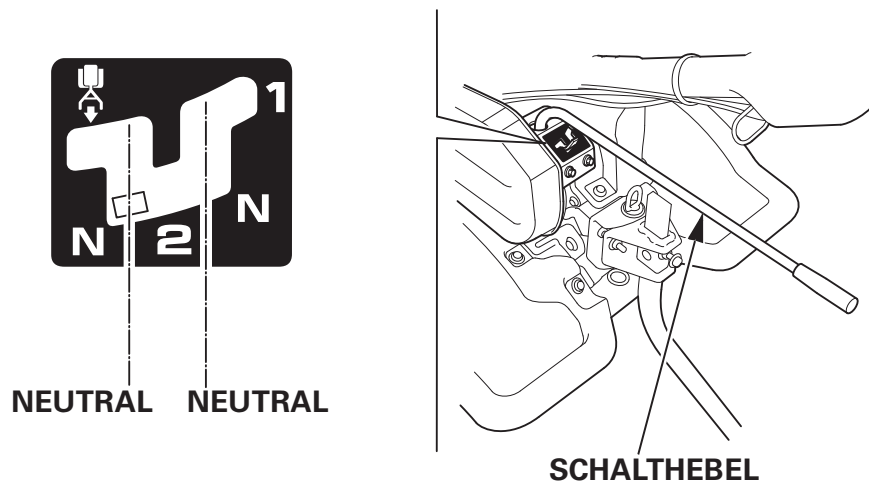


3. Den Schalthebel auf NEUTRAL stellen.

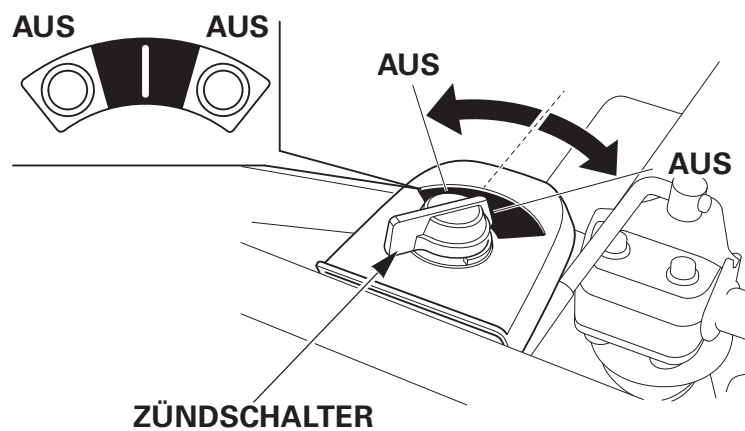
SE- und SER-Typen:



DE- und DER-Typen:

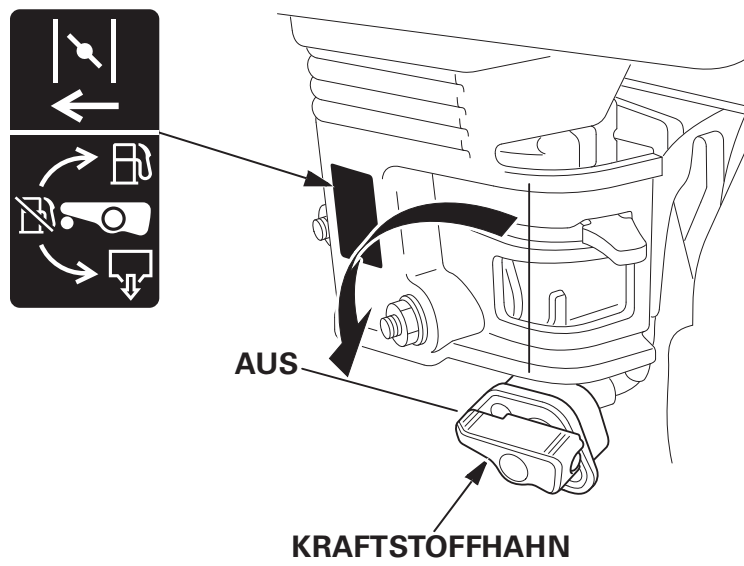


4. Den Zündschalter auf AUS drehen.



---

5. Den Kraftstoffhahn auf AUS drehen.



# 8. WARTUNG

Zweck des Wartungsplans ist es, die Ackerfräse in bestmöglichem Betriebszustand zu halten. Die Überprüfung und Wartung gemäß der nachfolgend aufgeführten Tabelle durchführen.

## ⚠ WARNUNG

**Vor Beginn jeglicher Wartungsarbeiten den Motor stoppen. Auspuffgase enthalten giftiges Kohlenmonoxid. Bei Einatmung kann dieses Gas Bewusstlosigkeit verursachen und tödlich wirken. Wenn der Motor bei gewissen Wartungsarbeiten laufen muss, sicherstellen, dass der Arbeitsbereich gut belüftet ist.**

## VORSICHT:

**Für Wartung und Reparatur dürfen nur Original-Hondateile oder gleichwertige Bauteile verwendet werden. Ersatzteile, die nicht der Originalqualität entsprechen, können die Ackerfräse beschädigen.**

## Wartungsplan

REGELMÄSSIGES WARTUNGSINTERVALL (1) Wartung bei angegebenem Monat oder Betriebsstundenintervall (früherer Zeitpunkt).		Nach Lagerung	Bei jedem Einsatz	Erster Monat oder 20 Std.	Alle 3 Monate oder 50 Std.	Alle 6 Monate oder 100 Std.	Alle Jahre oder 300 Std.
BAUTEIL							
Motoröl	Füllstand prüfen		o				
	Wechseln	o		o		o	
Getriebeöl	Füllstand prüfen	o		o			o
	Überprüfung		o				
Luftfilter	Reinigen				o (2)		
	Austauschen						o
	Überprüfung		o				
Ackerfräsen-Außenfläche	Überprüfung		o				
Gashebel - Funktion	Überprüfung		o				
Kupplungshebel - Funktion	Überprüfung		o				
Schrauben und Muttern - fester Sitz	Überprüfung		o				
Kabel und Züge	Überprüfung		o				

(1) Bei kommerzieller Anwendung ein Betriebsstundenprotokoll führen, um die richtigen Wartungsintervalle bestimmen zu können.

(2) Bei Einsatz in staubigen Gebieten alle 10 Betriebsstunden oder täglich warten.

REGELMÄSSIGES WARTUNGSINTER- VALL (1) artung bei angegebenem Monat oder Betriebsstundenintervall (früherer Zeitpunkt).		Nach Lage- rung	Bei jedem Ein- satz	Erster Monat oder 20 Std.	Alle 3 Monate oder 50 Std.	Alle 6 Monate oder 100 Std.	Alle Jahre oder 300 Std.
BAUTEIL							
Motorbetrieb	Überprüfung		o				
Ablagerungsbecher	Reinigen					o	
Zündkerze	Prüfen - einstellen					o	
	Austauschen						o
Fett auftragen	Fettschmierung	o (3)					
Riemenspannung	Prüfen - einstellen			o (3) (4)		o (3) (4)	
Gaszug	Prüfen - einstellen						o
Kupplungszug	Prüfen - einstellen			o (3)		o (3)	
Leerlaufdrehzahl	Prüfen - einstellen						o (3)
Ventilspiel	Prüfen - einstellen						o (3)
Brennraum	Reinigen	Nach 500 Std. (3)					
Kraftstofftank und -filter	Reinigen	o (3)				o (3)	
Kraftstoffleitung	Überprüfung	Alle 2 Jahre (gegebenenfalls austauschen) (3)					

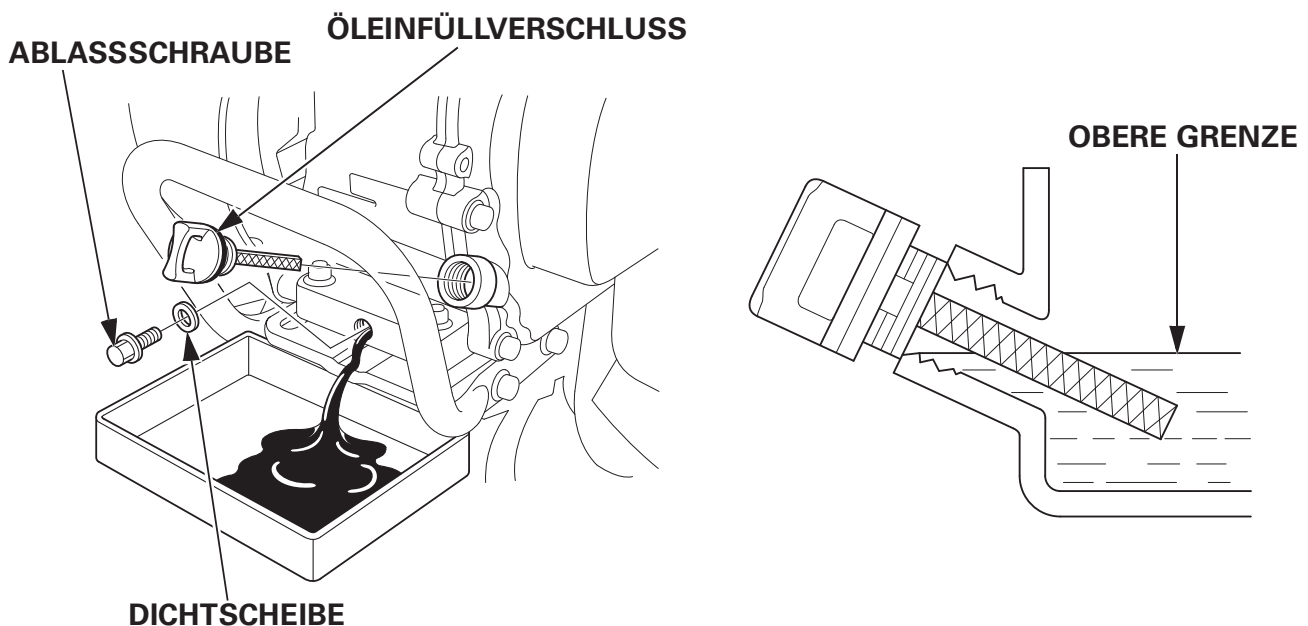
- (1) Bei kommerzieller Anwendung ein Betriebsstundenprotokoll führen, um die richtigen Wartungsintervalle bestimmen zu können.
- (3) Diese Bauteile sollten von Ihrem Wartungshändler gewartet werden.
- (4) Sicherstellen, dass der Riemen keine Risse und keinen ungewöhnlichen Verschleiß aufweist. Den Riemen erforderlichenfalls auswechseln.

## 1. Ölwechsel

Das Öl bei warmem Motor wechseln, um ein schnelles und vollständiges Ablassen zu gewährleisten.

1. Einen geeigneten Behälter unter den Motor stellen, um das alte Öl auffangen zu können. Anschließend Öleinfüllverschluss, Ablassschraube und Dichtscheibe abbauen.
2. Die Ackerfräse leicht nach vorne kippen und das Öl vollständig ablaufen lassen.
3. Das Öl vollständig ablaufen lassen und die Ablassschraube mit neuer Dichtscheibe wieder einbauen. Die Schraube gut festziehen.
4. Mit dem empfohlenen Öl (siehe Seite 16) bis zur oberen Grenze auffüllen.
5. Den Öleinfüllverschluss wieder sicher anbringen.

**Öl Fassungsvermögen:** 0,58 l



Nach dem Umgang mit Altöl die Hände mit Wasser und Seife waschen.

### HINWEIS:

Bitte beachten Sie bei der Beseitigung des Altöls die entsprechenden Umweltschutzbestimmungen. Wir empfehlen, das Öl in einem verschlossenen Behälter zu einer Altöl-Sammelstelle zu bringen. Das gebrauchte Motoröl nicht in den Abfall werfen oder in die Kanalisation, den Abfluss oder auf den Boden gießen.

## 2. Reinigen des Luftfilters

Ein verschmutzter Luftfilter blockiert den Luftstrom zum Vergaser. Um einem Vergaserversagen vorzubeugen, ist der Luftfilter regelmäßig zu warten. In sehr staubigen Arbeitsbereichen muss der Luftfilter öfter gewartet werden.

### ⚠️ WARNUNG

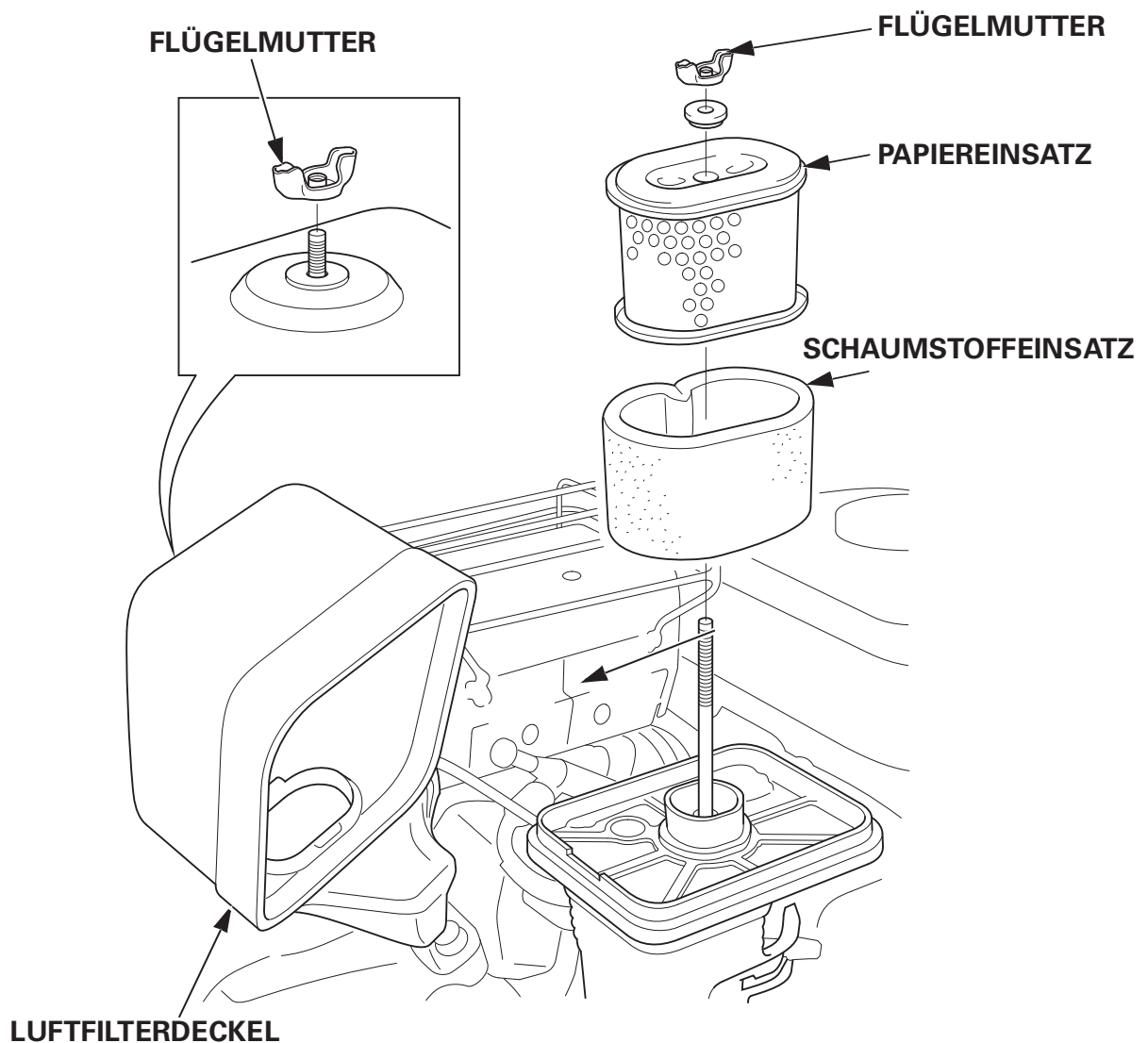
Zum Reinigen des Luftfiltereinsatzes dürfen kein Benzin bzw. Lösungsmittel mit niedrigem Flammpunkt verwendet werden. Dies könnte zu einem Brand oder einer Explosion führen.

### VORSICHT:

Der Motor darf niemals ohne Luftfilter betrieben werden.

Ein schneller Motorverschleiß ist die Folge.

1. Die Flügelmuttern und den Luftfilterdeckel entfernen. Die Luftfiltereinsätze herausnehmen und trennen. Beide Einsätze auf Löcher und Risse überprüfen; ein beschädigtes Element muss ersetzt werden.

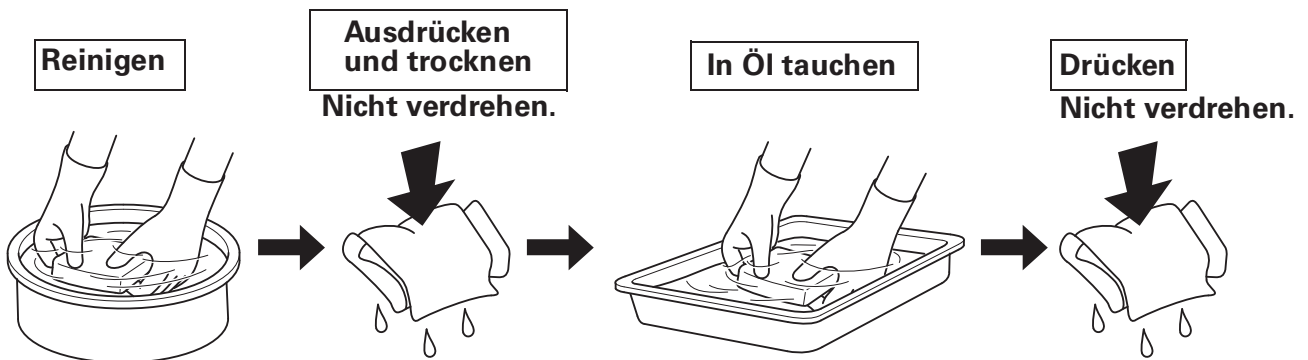


---

2. Beide Filtereinsätze reinigen, wenn sie wieder verwendet werden.

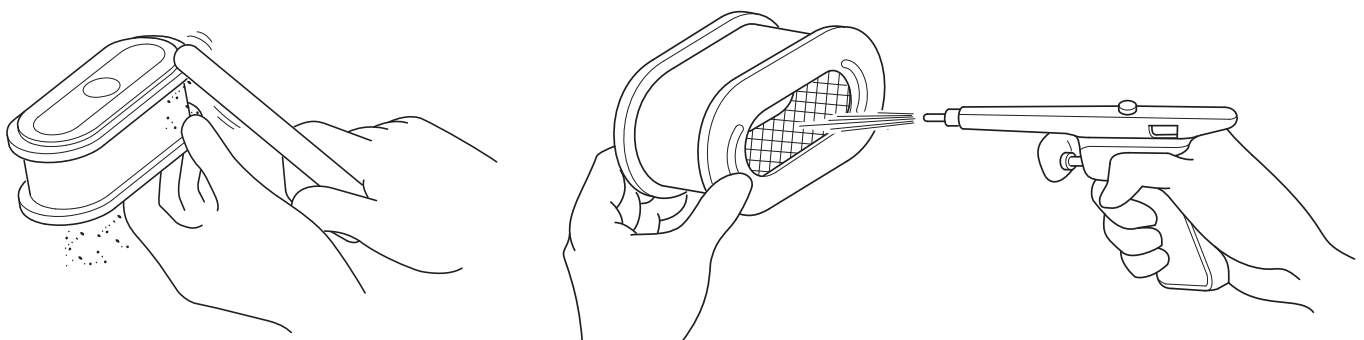
**Schaumstoffeinsatz:**

In warmem Seifenwasser auswaschen, abspülen und gründlich trocknen lassen. Wahlweise den Einsatz in einer Reinigungslösung mit hohem Entflammungspunkt auswaschen und trocknen lassen. Den Einsatz mit sauberem Motoröl durchtränken und überschüssiges Öl ausdrücken. Der Motor raucht beim anfänglichen Anlaufen, wenn zu viel Öl im Schaumstoffeinsatz zurückbleibt.



**Papiereinsatz:**

Den Papiereinsatz einige Male leicht auf einer harten Oberfläche anschlagen oder den Filter mit Druckluft von innen her ausblasen. Niemals versuchen, den Schmutz abzubürsten, da er dadurch nur noch tiefer in das Filtermaterial gedrückt wird. Sollte der Papiereinsatz übermäßig verschmutzt sein, muss er ersetzt werden.



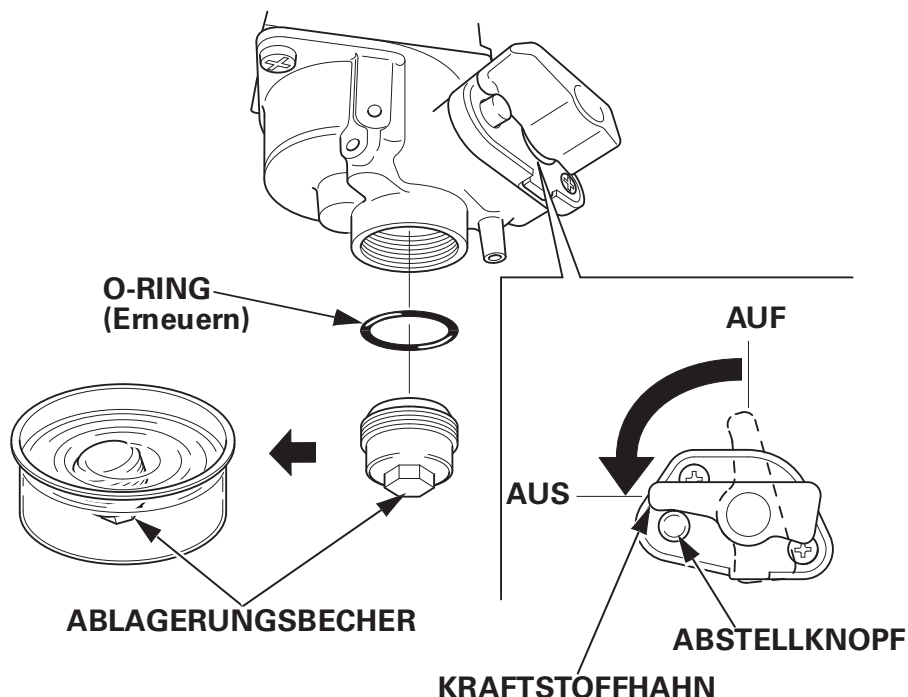
3. Die Einsätze und den Luftfilterdeckel richtig anbringen.

### 3. Reinigen des Ablagerungsbeckers

#### **⚠ WARNUNG**

**Kraftstoff ist äußerst entflammbar und unter bestimmten Bedingungen explosiv. Im Arbeitsbereich nicht rauchen; offenes Feuer und Funken müssen ferngehalten werden.**

1. Den Zündschalter auf AUS drehen.
2. Den Kraftstoffhahn auf AUS stellen, so dass er gegen den Abstellknopf anliegt.
3. Den Ablagerungsbecher mit einem 10-mm-Schraubenschlüssel lösen und einschl. O-Ring abnehmen.
4. Den Ablagerungsbecher entleeren und in nicht-entflammbarem Lösungsmittel reinigen.
5. Den Ablagerungsbecher mit einem neuen O-Ring aufsetzen. Den Ablagerungsbecher fest anziehen.
6. Den Kraftstoffhahn auf AUF stellen, und auf Dichtigkeit prüfen.





## 4. Warten der Zündkerzen

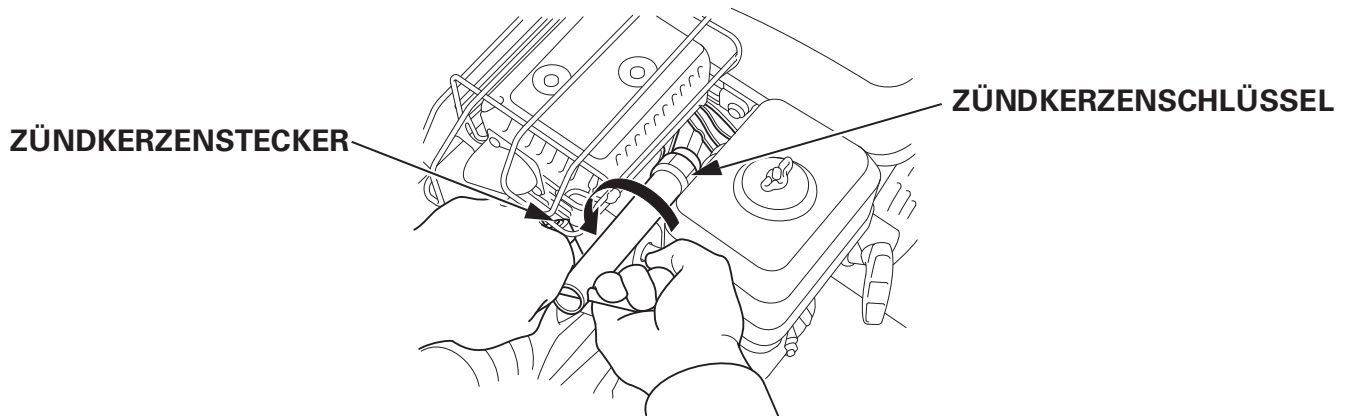
**Empfohlene Zündkerze:** BPR5ES (NGK)  
W16EPR-U (DENSO)

Um einen einwandfreien Motorlauf zu gewährleisten, muss der Elektrodenabstand korrekt eingestellt und die Zündkerze frei von Ablagerungen sein.

1. Den Zündkerzenstecker abziehen.  
Die Zündkerze mit einem Zündkerzenschlüssel ausbauen.

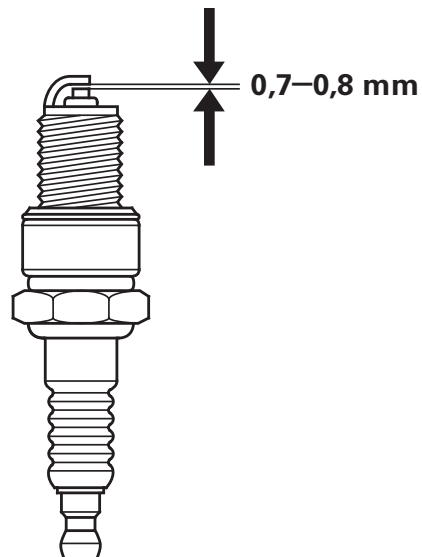
### ⚠ WARNUNG

**Wenn der Motor kurz vorher in Betrieb war, ist der Schalldämpfer sehr heiß. Darauf achten, den Schalldämpfer nicht zu berühren.**



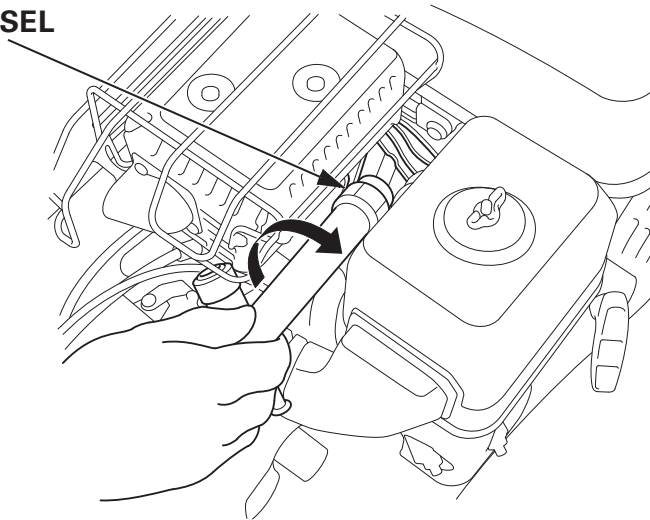
2. Die Zündkerze visuell überprüfen. Wenn der Isolator gerissen oder abgesplittert ist, muss die Zündkerze ersetzt werden. Wenn die Zündkerze erneut verwendet werden soll, diese mit einer Drahtbürste reinigen.

3. Den Elektrodenabstand mit einer Fühlerlehre messen.  
Dabei die Seitenelektrode wie erforderlich korrigieren.  
Erforderlicher Elektrodenabstand:  
0,7 – 0,8 mm



- 
4. Sicherstellen, dass die Zündkerzen-Dichtscheibe in gutem Zustand ist. Danach die Zündkerze von Hand eindrehen, um ein Überdrehen des Gewindes zu vermeiden.

**ZÜNDKERZENSCHLÜSSEL**



5. Nachdem die Zündkerze anliegt, mit einem Kerzenschlüssel festziehen, um die Dichtscheibe zusammenzudrücken.

**HINWEIS:**

Nachdem die Zündkerze handfest angezogen wurde, ist diese mit einem Zündkerzenschlüssel um eine weitere 1/2 Drehung festzuziehen, damit die Dichtscheibe zusammengedrückt wird. Bei Wiedergebrauch einer Zündkerze dürfte nur eine 1/8 bis 1/4 Drehung erforderlich sein.

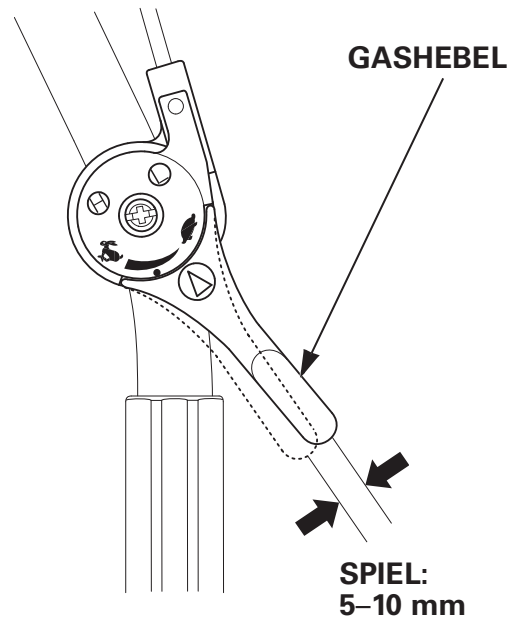
**VORSICHT:**

**Die Zündkerze muss fest angezogen werden. Eine nicht richtig angezogene Zündkerze kann sehr heiß werden und möglicherweise den Motor beschädigen. Niemals eine Zündkerze mit unzulässigem Wärmewert benutzen.**

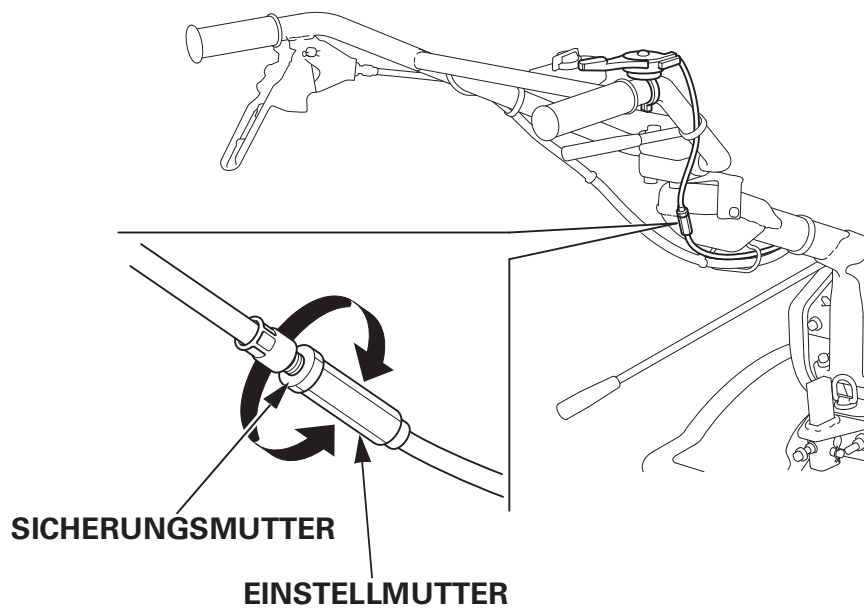
## 5. Einstellung des Gaszugs

Messen Sie das Spiel am Hebelende.

Spiel: 5 – 10 mm



Falls das Spiel nicht stimmt, die Sicherungsmutter lösen und die Einstellschraube entsprechend hinein- oder herausdrehen.

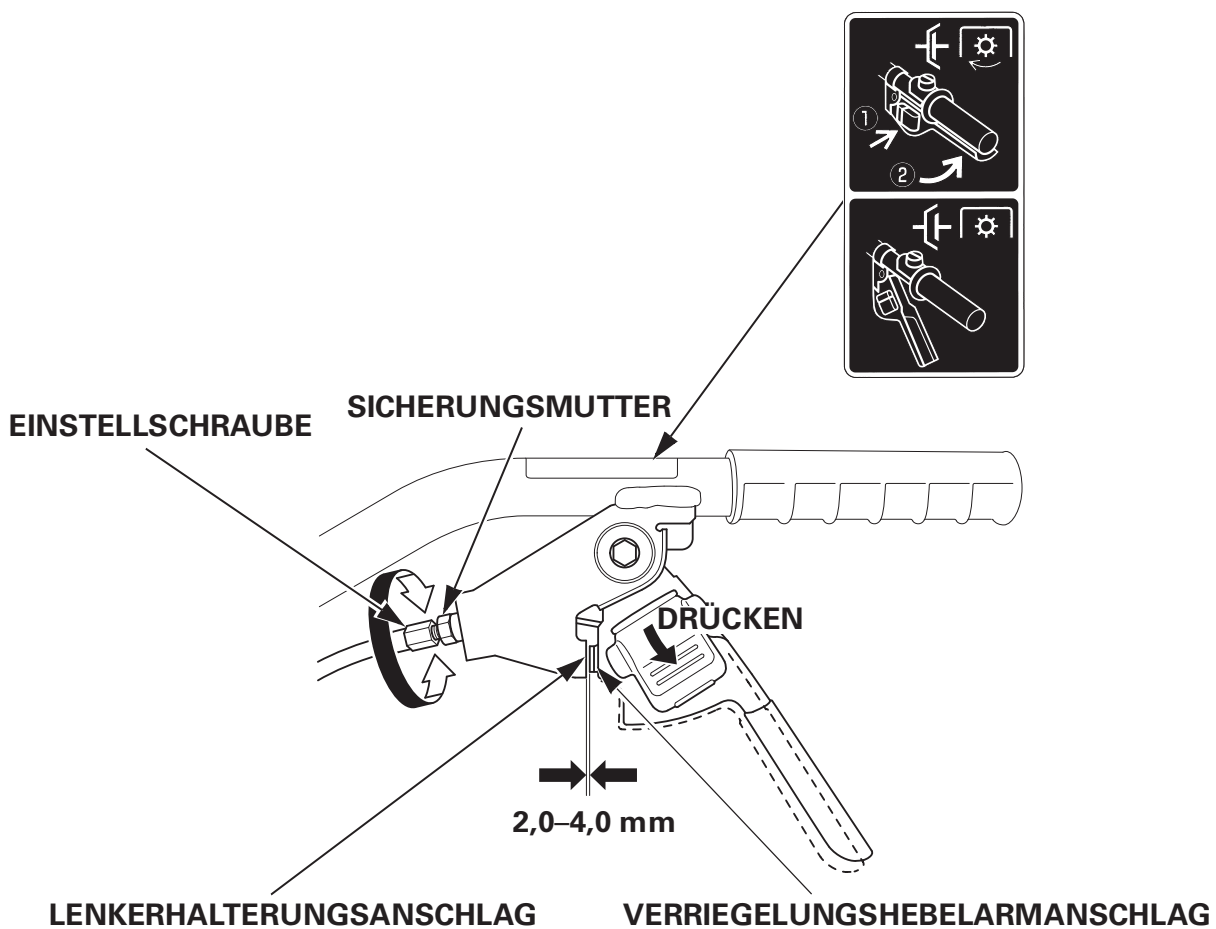


## 6. Einstellung des Kupplungszugs

Bei ausgerückter Kupplung das Spiel zwischen dem Lenkerhalterungsanschlag und dem Verriegelungshebelarmanschlag messen.

Spiel: 2,0 – 4,0 mm

Falls das Spiel nicht stimmt, die Sicherungsmutter lösen und die Einstellschraube entsprechend hinein- oder herausdrehen. Nach erfolgter Einstellung die Sicherungsmutter wieder anziehen.



## 7. Reinigung des Kupplungshebels

Wenn der Verriegelungshebel und der Kupplungshebel nicht richtig funktionieren, oder wenn die Kupplung bei Ziehen des Kupplungshebels einrückt, ohne dass der Verriegelungshebel gedrückt ist, den Kupplungshebel zerlegen und reinigen.

### HINWEIS:

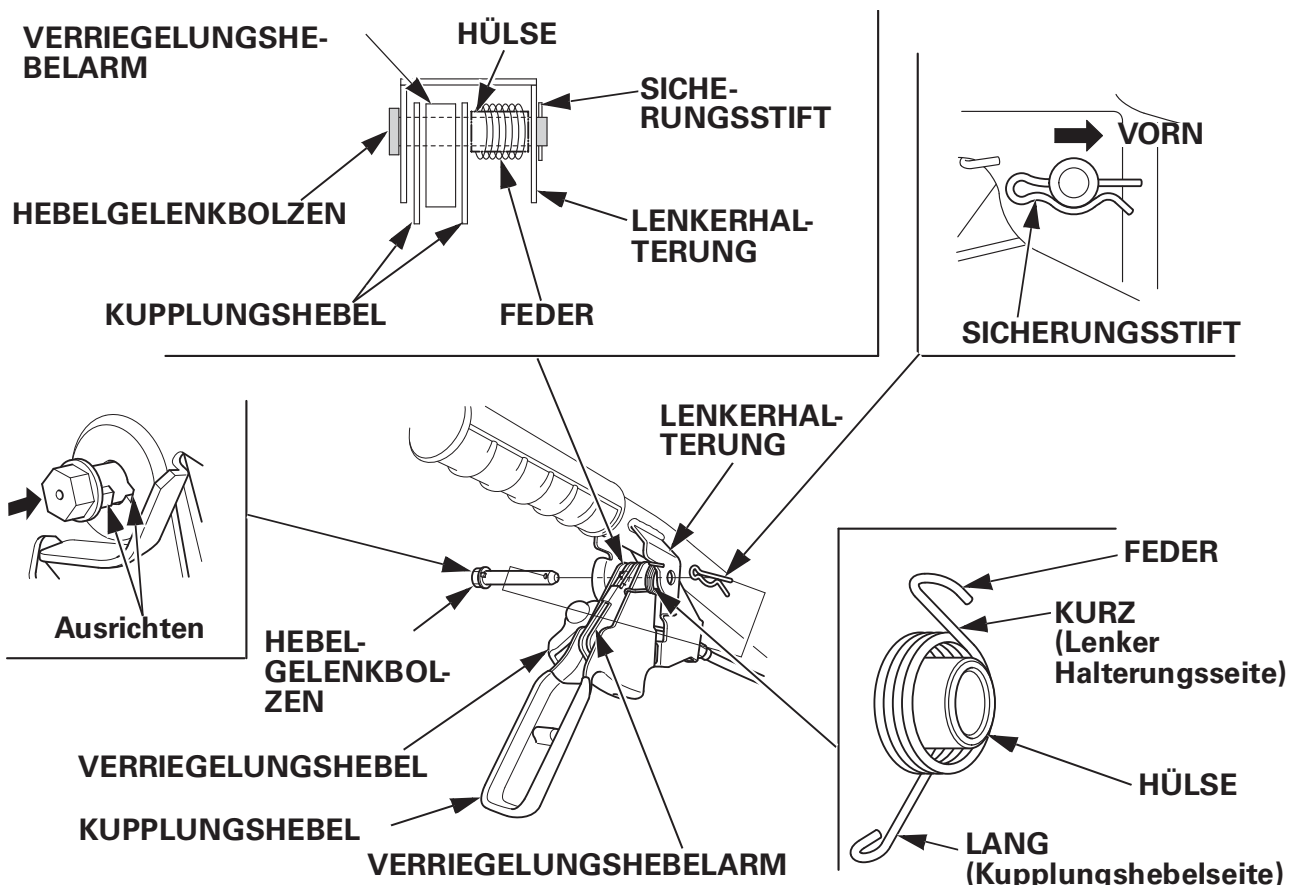
Beim Zerlegen des Kupplungshebels auf die Feder und die Hülse achten. Die Feder und die Hülse befinden sich zwischen der rechten Seite des Kupplungshebels und der Lenkerhalterung.

1. Den Sicherungsstift vom Hebelgelenkbolzen abziehen.
2. Den Kupplungshebel festhalten und den Hebelgelenkbolzen herausziehen.  
Kupplungshebel, Federscheibe und Hülse abnehmen.
3. Schmutz und Fremdkörper restlos beseitigen.  
Die Gelenkfläche von Kupplungshebel und Verriegelungshebelarm abwischen und reinigen.

### HINWEIS:

Kupplungshebel, Verriegelungshebel und Verriegelungshebelarm nicht mit Öl oder Reinigungsflüssigkeit behandeln.

Öl oder Reinigungsflüssigkeit zieht Schmutz und Fremdkörper an.



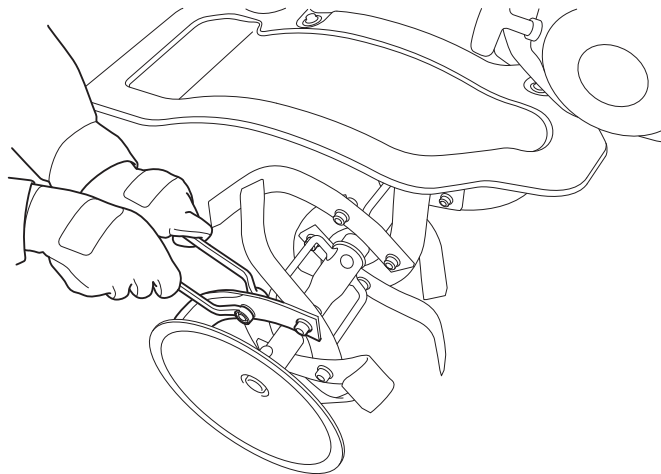
- 
4. Die Hülse an der Feder ansetzen und beide zwischen der rechten Seite des Kupplungshebels und der Lenkerhalterung platzieren (siehe Seite 50). In dieser Stellung von Feder und Hülse den Hebelgelenkbolzen eindrücken.
  5. Den Vorsprung am Hebelgelenkbolzen auf die Nut an der Seite der Lenkerhalterungsöffnung ausrichten, und dann den Sicherungsstift in der in der Abbildung gezeigten Ausrichtung anbringen (siehe Seite 50).
  6. Verriegelungshebel und Kupplungshebel auf ruckfreie Betätigung prüfen. Wenn der Verriegelungshebel und der Kupplungshebel nicht richtig funktionieren, oder wenn die Kupplung bei Ziehen des Kupplungshebels einrückt, ohne dass der Verriegelungshebel gedrückt ist, lassen Sie die Motorhacke von einem Honda-Vertragshändler überprüfen.

---

## 8. Zinken - Inspektion und Austausch (SER- und DER-Typen)

### ⚠ WARNUNG

- **Schutzhandschuhe tragen.**
- **Überprüfungs- und Austauscharbeiten nur bei waagrecht stehender Ackerfräse und abgestelltem Motor durchführen. Den Zündkerzenstecker abziehen, um einen plötzlichen Motorstart zu vermeiden.**



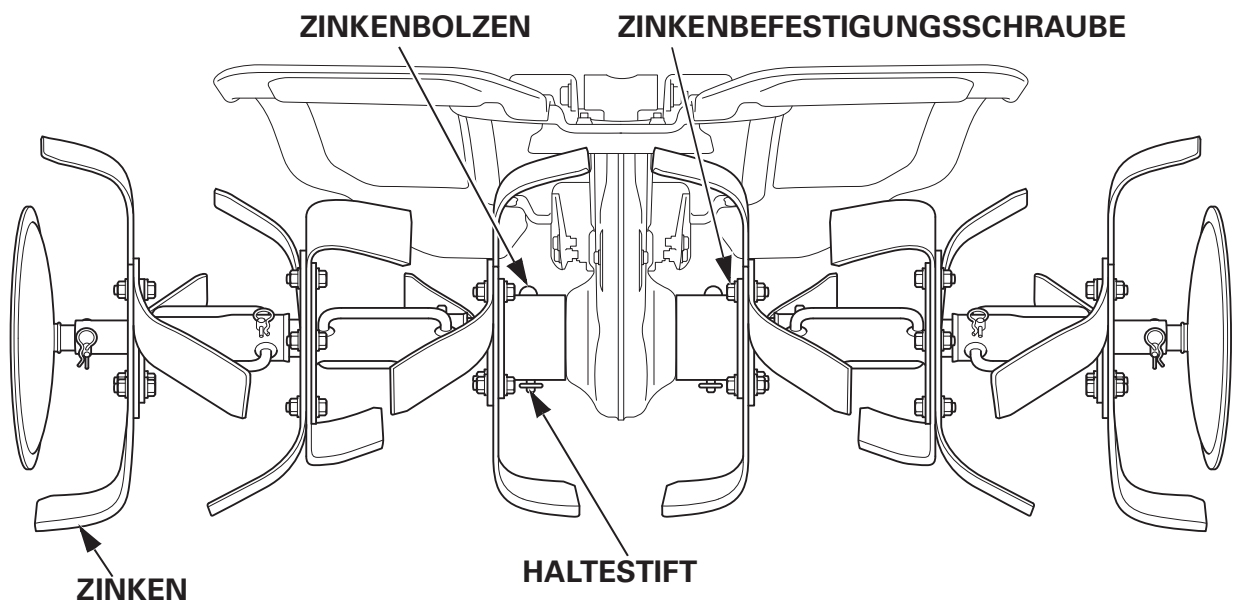
Vor Überprüfungs- und Austauscharbeiten das Vorderrad (DER-Typ) in die Position NACH UNTEN stellen (siehe Seite 34), die Ackerfräse auf eine stabile und waagrechte Fläche stellen und gegen Verschieben sichern. Den Kraftstoffhahn auf AUS stellen.

## Überprüfung:

1. Auf beschädigte, verbogene oder lockere Zinken überprüfen. Bei Abweichungen vom Normalzustand, das schadhafte Teil anziehen oder erneuern.
2. Die Zinkenbefestigungsschraube auf festen Sitz prüfen, gegebenenfalls nachziehen.
3. Sicherstellen, dass keine Zinkenbolzen und Haltestifte beschädigt sind oder fehlen, gegebenenfalls erneuern (siehe Seiten 56 und 57).

### HINWEIS:

Beim Erneuern von Zinken immer Original-Honda-Teile oder gleichwertige Teile verwenden.



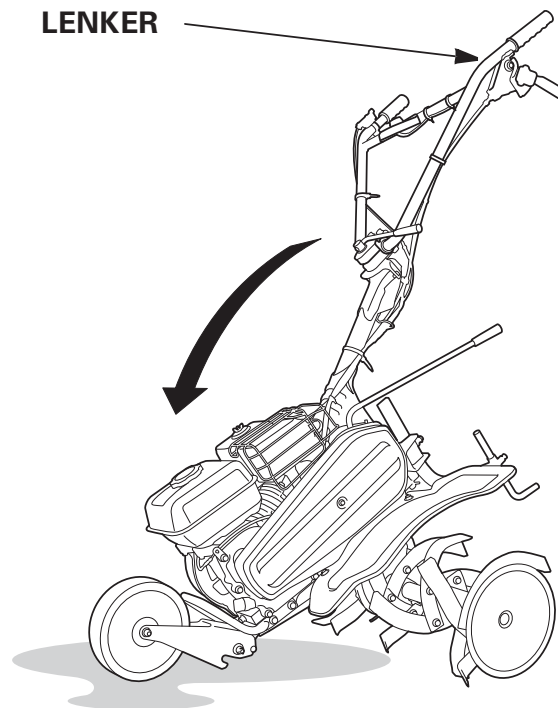


## Zinken und Seitenscheibe - Ausbau:

- DER-Typ:

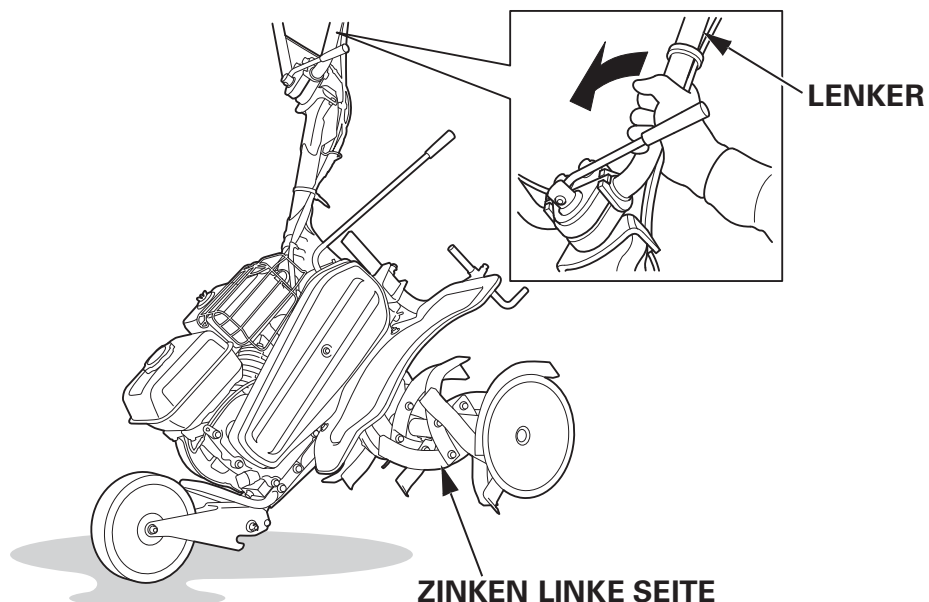
Das Vorderrad in die Position NACH OBEN stellen (siehe Seite 34).

1. Den Lenker hochziehen und so halten, dass das Vorderrad (DER-Typ) oder das Vorderende der Ackerfräse gegen den Boden anliegt.

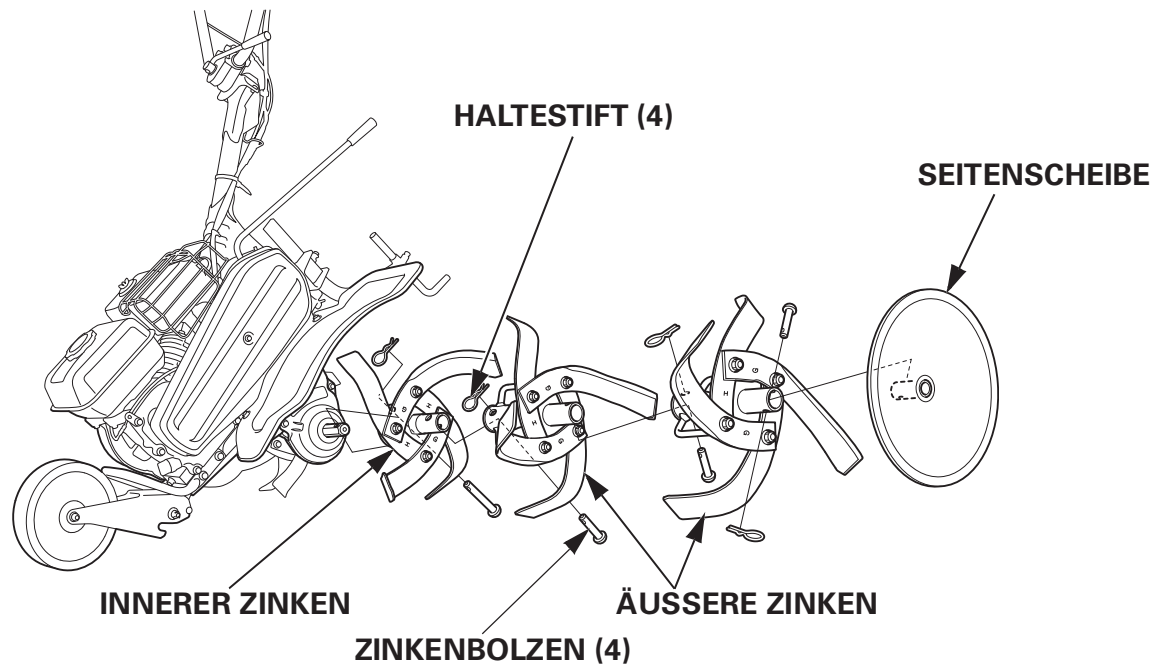


2. Den Lenker umgreifen und in Pfeilrichtung drücken, um den nächstliegenden Zinken vom Boden zu heben. Diese Stellung beibehalten.

Keine Seilzüge betätigen, während der Lenker umgriffen ist.  
Vorsicht beim Neigen der Ackerfräse. Bei übermäßigem Neigungswinkel kann Kraftstoff ausfließen.



3. Die Haltestifte und Zinkenbolzen entfernen, dann die Seitenscheibe und äußeren Zinken entfernen.
4. Den Haltestift und Zinkenbolzen entfernen, dann den inneren Zinken entfernen.
5. Der Vorgang für Seitenzinken/Seitenscheibe der gegenüberliegenden Seite ist gleich.

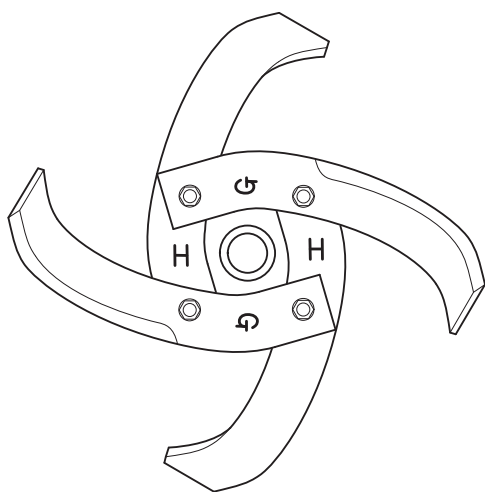


## Zinken und Seitenscheibe - Einbau:

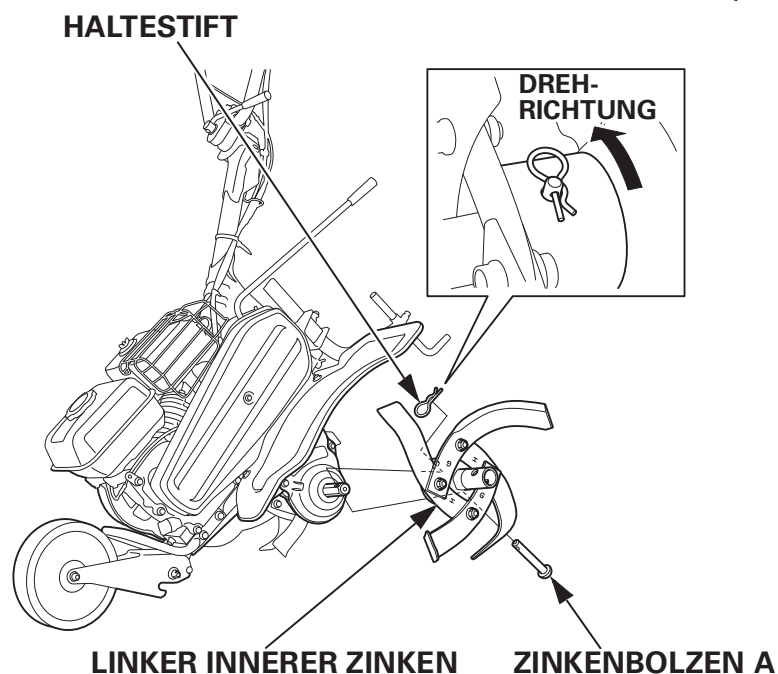
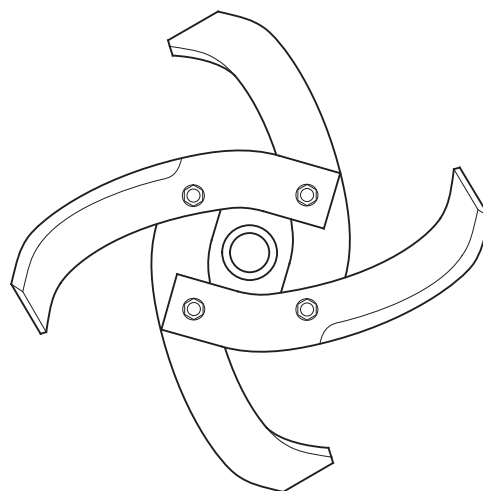
1. Den inneren Zinken auf der Achse anbringen.

- Die Markierungen „G“ und „H“ auf dem linken inneren Zinken sind sichtbar.
- Die Markierungen „G“ und „H“ auf dem rechten inneren Zinken sind nicht sichtbar.

**LINKER INNERER ZINKEN**  
(Von äußerer Zinkenseite aus gesehen)



**RECHTER INNERER ZINKEN**  
(Von äußerer Zinkenseite aus gesehen)

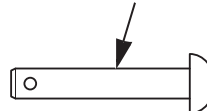


2. Den Zinkenbolzen A einsetzen und den Haltestift anbringen.

**ZINKENBOLZEN A (LANG)**



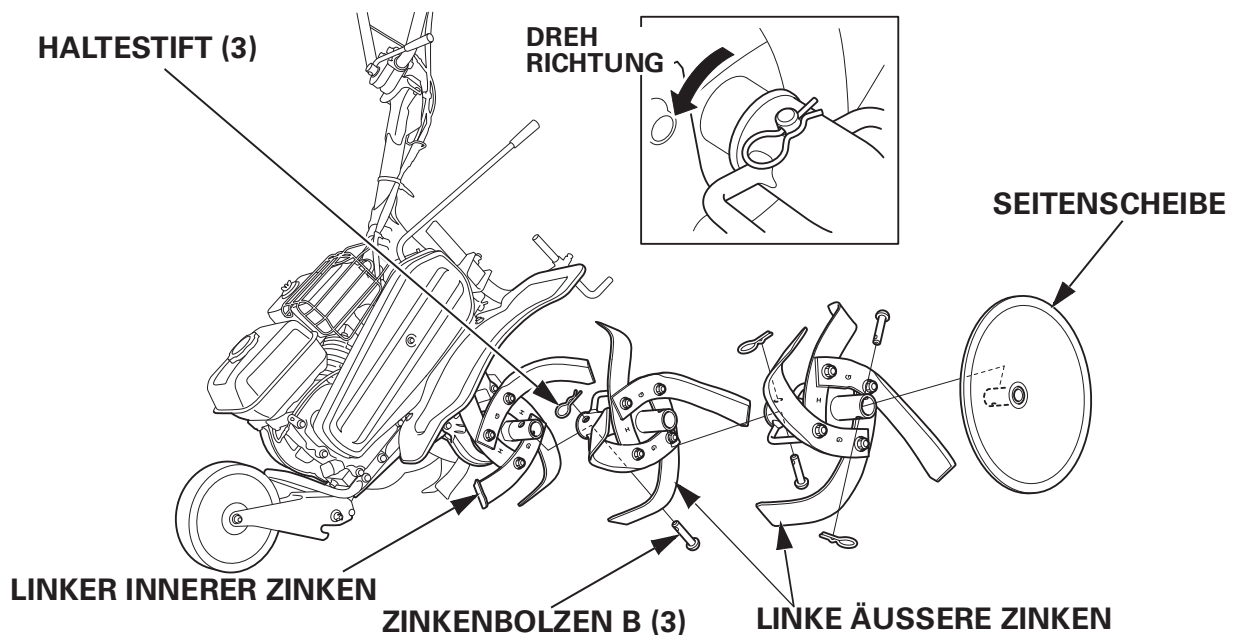
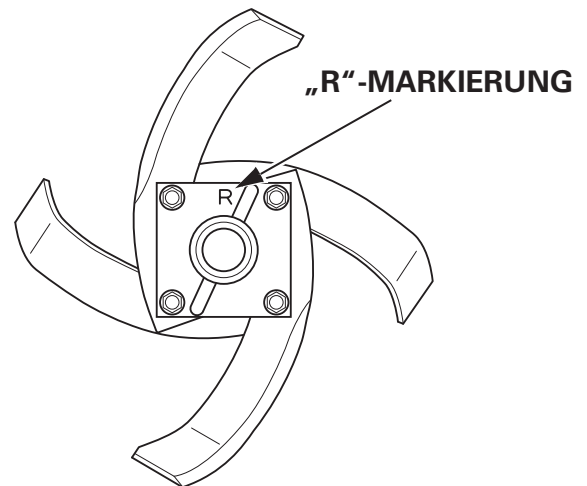
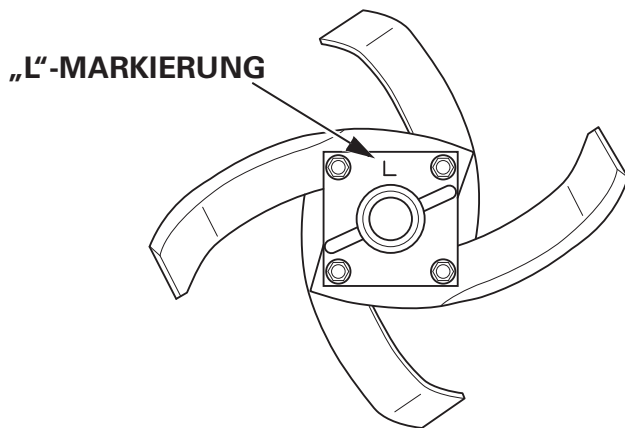
**ZINKENBOLZEN B (KURZ)**



3. Die äußeren Zinken mit der Markierung „R“ (rechter Zinken) bzw. „L“ (linker Zinken) zum inneren Zinken gerichtet einbauen, siehe Abbildung.
4. Die Zinkenbolzen B einsetzen und die Haltestifte anbringen.
5. Die Seitenscheibe einbauen, dann den Zinkenbolzen B einsetzen und den Haltestift anbringen.
6. Der Vorgang für Seitenzinken/Seitenscheibe der gegenüberliegenden Seite ist gleich.

**LINKER ÄUSSERER ZINKEN**  
(Von innerer Zinkenseite aus gesehen)

**RECHTER ÄUSSERER ZINKEN**  
(Von innerer Zinkenseite aus gesehen)



## Zinkenmontage:

Die Zinken vorschriftsmäßig montieren.

Fehlerhafte Anordnung oder Montage der Zinken in der falschen Richtung führt zu Vibrationen und verhindert einwandfreies Fräsen.

Zwei Zinkentypen (G und H) werden geliefert. G-Zinken haben ein eingraviertes „G“ und H-Zinken ein eingraviertes „H“ auf der Stirnfläche.

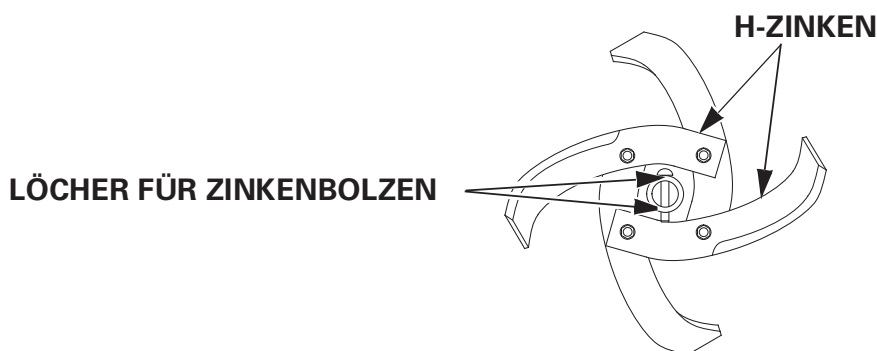


### • Rechte Seite:

Auf der rechten Seite die äußeren Zinken und inneren Zinken mit den Markierungen „G“ bzw. „H“ zum Getriebegehäuse hin gerichtet montieren.

(Die „G“- bzw. „H“-Markierungen sind von außen nicht sichtbar).

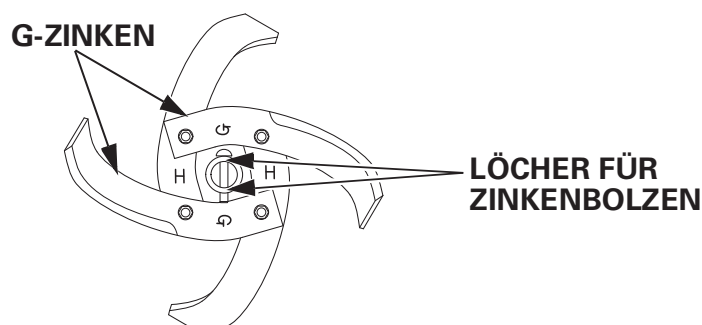
Die „H“-Markierung muss mit den Löchern für die Zinkenbolzen fluchten.



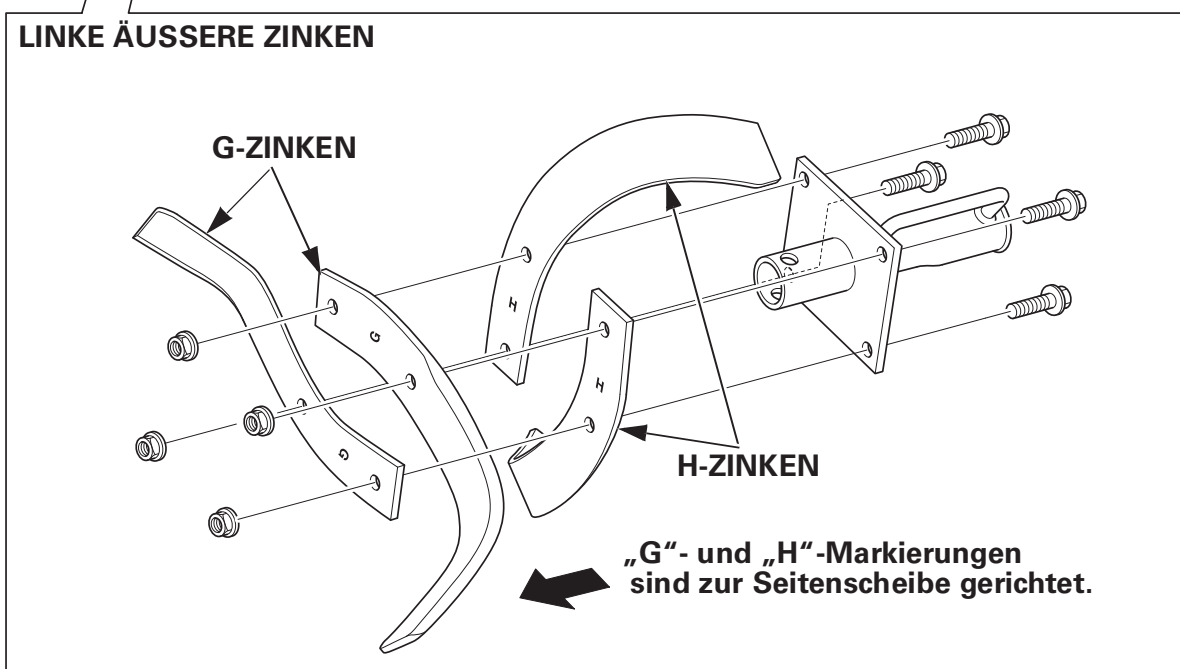
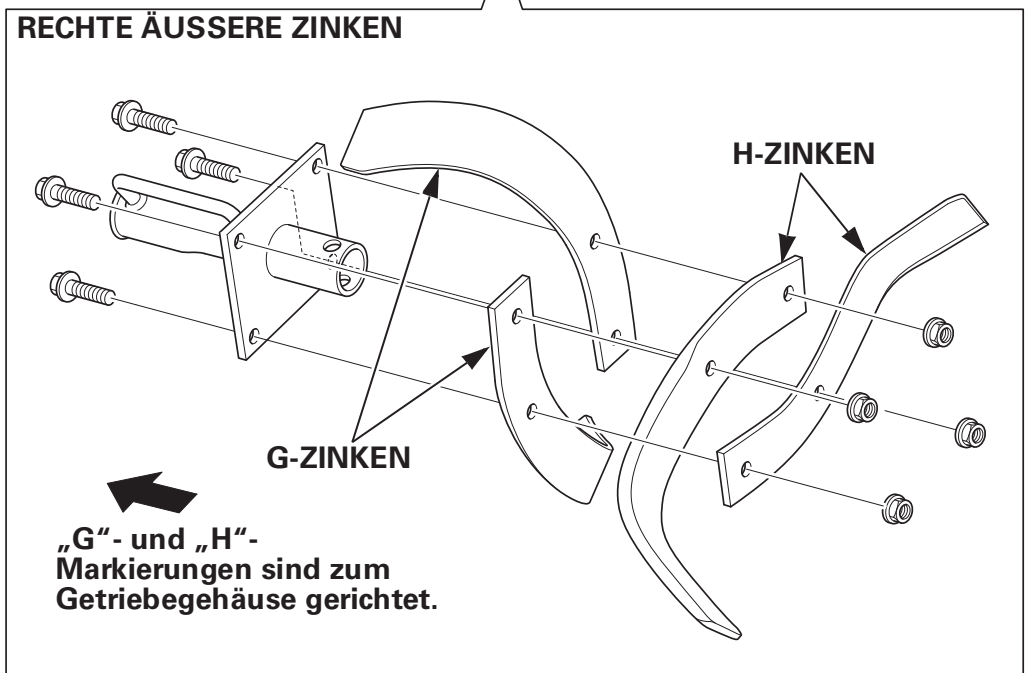
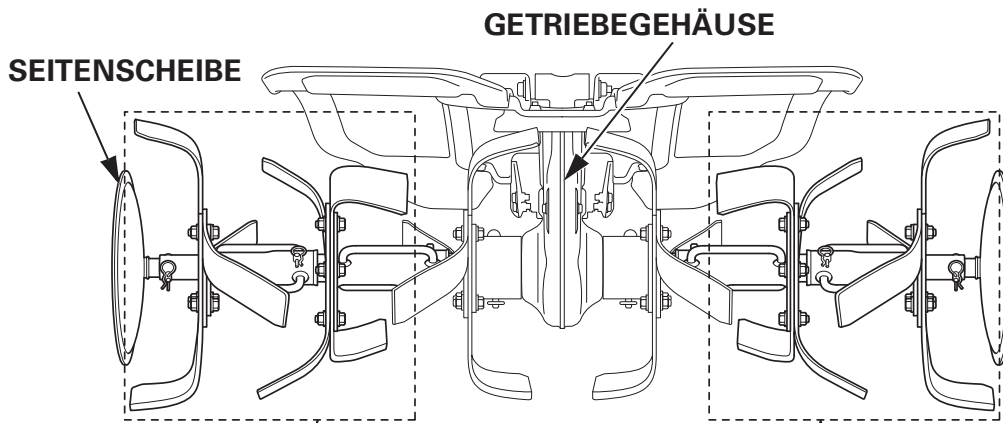
### • Linke Seite:

Auf der linken Seite die äußeren Zinken und inneren Zinken mit den Markierungen „G“ bzw. „H“ zur Seitenscheibe hin gerichtet montieren.

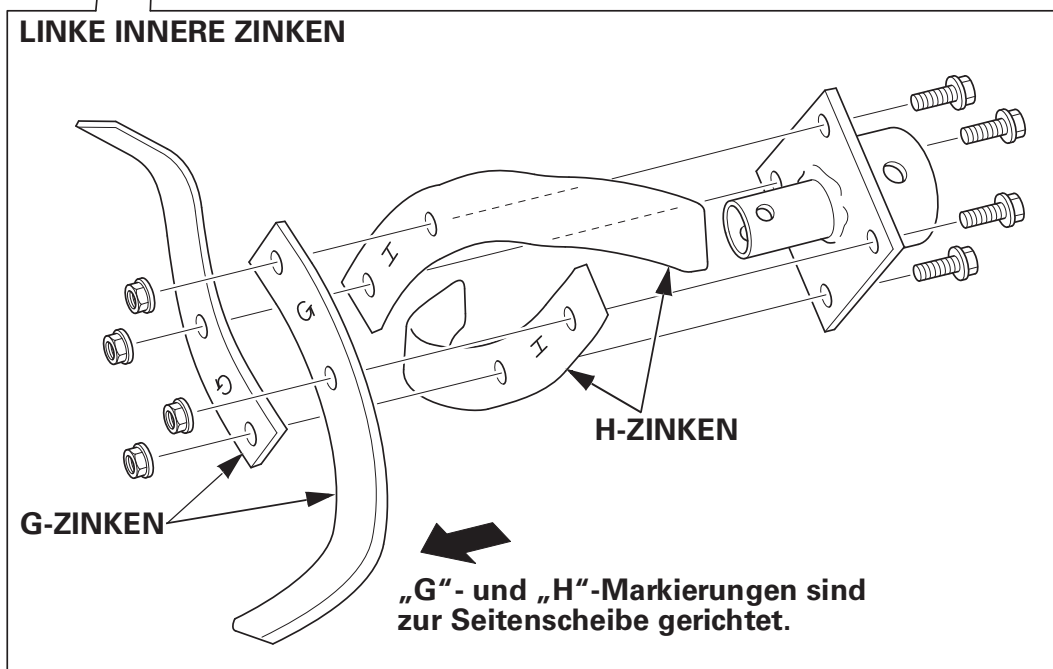
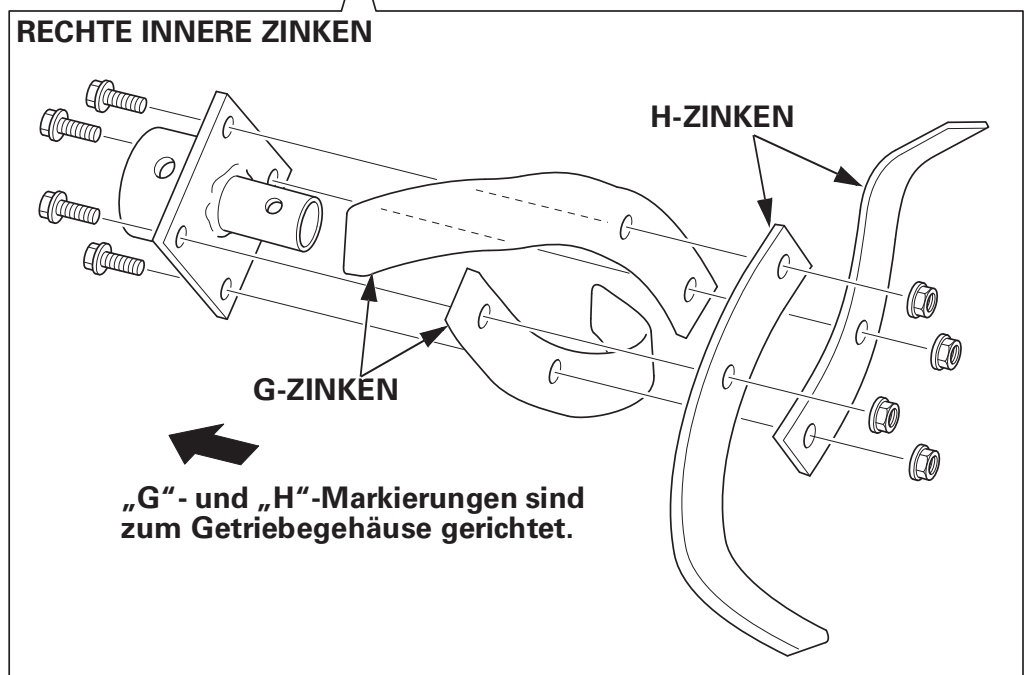
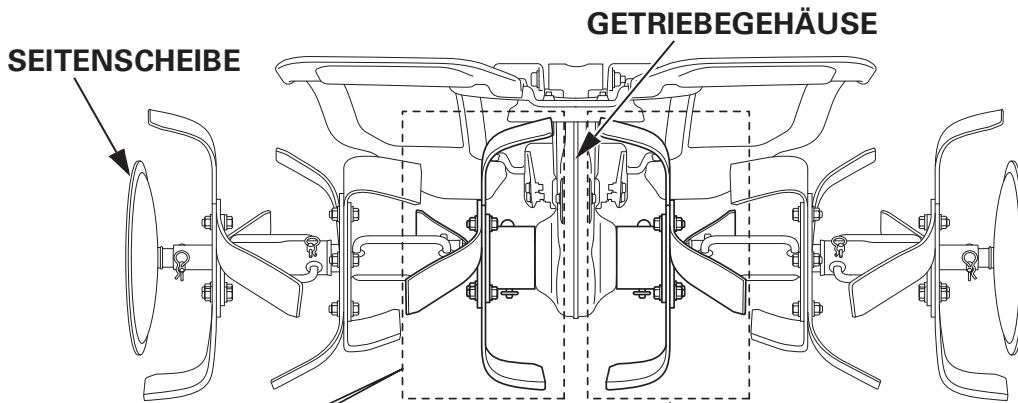
Die „G“-Markierung muss mit den Löchern für die Zinkenbolzen fluchten.



• Äußere Zinken



• Innere Zinken



## 9. TRANSPORT/LAGERUNG

### ⚠ WARNUNG

Wenn die Ackerfräse transportiert werden soll, den Kraftstoffhahn auf **ZU** stellen, um einem Verschütten von Kraftstoff vorzubeugen. Kraftstoffdämpfe oder verschütteter Kraftstoff können sich entzünden.

Bevor die Ackerfräse für einen längeren Zeitraum gelagert wird:

1. Einen Lagerbereich wählen, an dem weder hohe Feuchtigkeit auftreten, noch viel Staub aufkommen kann.
2. Den Kraftstoff ablassen:

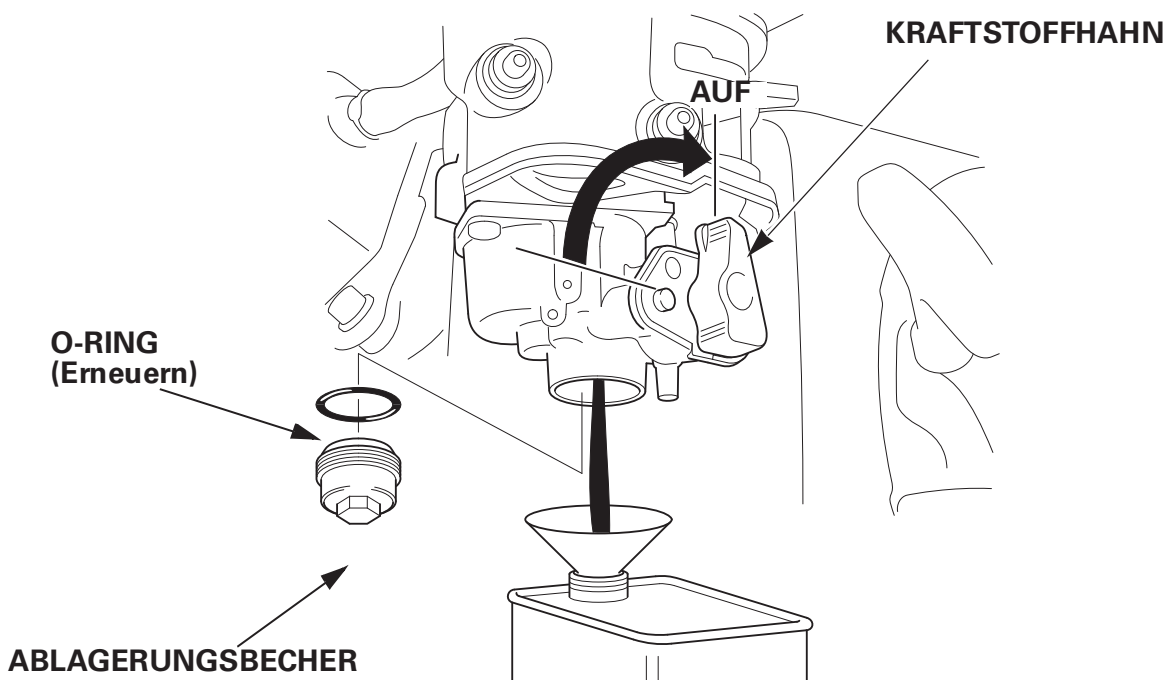
### ⚠ WARNUNG

Kraftstoff ist äußerst leicht entflammbar und unter bestimmten Bedingungen explosiv. Nicht rauchen und keine Funken zulassen, während der Kraftstoff abgelassen wird.

- a. Unterhalb des Vergasers ein zugelassenes Benzinglefäß stellen und einen Trichter benutzen, damit kein Kraftstoff verschüttet wird.

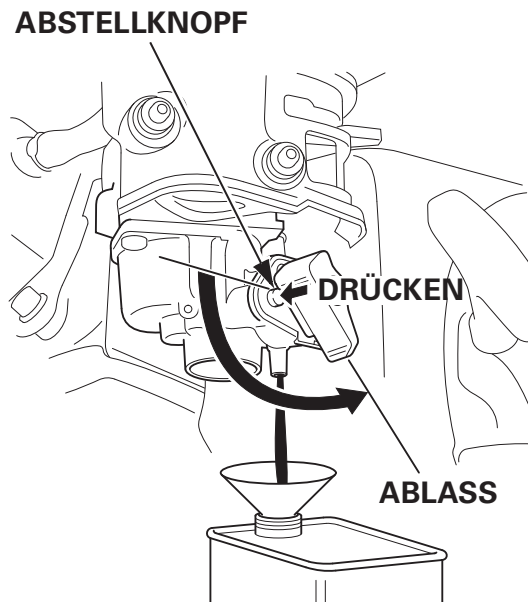
Um nur aus dem Vergaser Kraftstoff abzulassen, ein geeignetes Gefäß unter den Vergaser stellen und die Schritte „e.“ und „f.“ ausführen.

- b. Ablagerungsbecher und O-Ring entfernen.
- c. Den Kraftstoffhahn auf AUF drehen. Das Benzin in einen geeigneten Behälter ablassen.

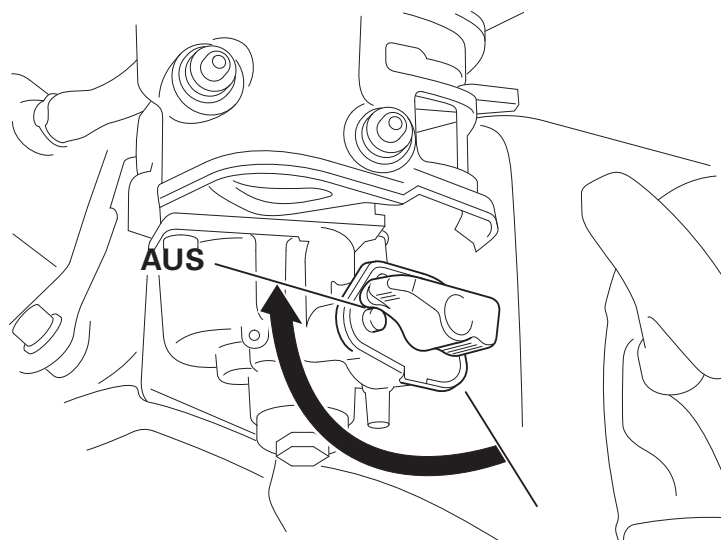




- 
- d. Den Kraftstoff vollständig ausfließen lassen, dann den Kraftstoffhahn auf AUS stellen.
- e. Den Kraftstoffhahn auf ABLASS stellen und gleichzeitig den Abstellknopf gedrückt halten. Das Benzin in einen geeigneten Behälter ablassen.



- f. Den Kraftstoff vollständig ausfließen lassen. Den Kraftstoffhahn zurück auf AUS stellen, so dass er gegen den Abstellknopf anliegt.



- g. Den Ablagerungsbecher mit einem neuen O-Ring aufsetzen. Den Ablagerungsbecher fest anziehen.

- 
3. Den Startergriff ziehen, bis Widerstand zu spüren ist. Weiterziehen, bis die Kerbe an der Starterriemenscheibe auf die Öffnung an der Startzugvorrichtung ausgerichtet ist.  
Nun sind die Ventile für Ein- und Auslass geschlossen, wodurch das Innere des Motors besser gegen Korrosion geschützt ist.
  4. Das Motoröl wechseln.
  5. Die Ackerfräse mit einer Kunststoffplane abdecken.

Die Ackerfräse darf nicht mit dem Lenker auf den Boden abgesenkt werden. Dabei fließt Öl in den Zylinder, oder der Kraftstoff fließt über.

## 10. FEHLERSUCHE

---

Bei Startversagen des Motors:

1. Ist ausreichend Kraftstoff vorhanden?
2. Steht der Kraftstoffhahn auf AUF?
3. Steht der Zündschalter in der AUF-Position?
4. Wird dem Vergaser Kraftstoff zugeführt?  
Zur Kontrolle den Kraftstoffhahn auf ABLASS stellen (siehe Seite 62). Der Kraftstoff muss frei abfließen können. Den Kraftstoffhahn auf AUS drehen.

### **⚠ WARNUNG**

**Wenn Kraftstoff verschüttet worden ist, vergewissern Sie sich, dass die Umgebung getrocknet ist, bevor Sie den Motor wieder starten. Kraftstoffdämpfe und verschütteter Kraftstoff können sich entzünden.**

5. Befindet sich die Zündkerze in gutem Zustand?

Die Zündkerze herausdrehen und überprüfen. Zündkerze reinigen und trocknen, Elektrodenabstand korrigieren. Erforderlichenfalls auswechseln.

6. Wenn der Motor immer noch nicht anspringt, ist die Ackerfräse zu einem autorisierten Honda-Händler zu bringen.

# 11. TECHNISCHE DATEN

Modell	FJ500-SE	FJ500-SER	FJ500-DE	FJ500-DER
Beschreibungscode	FAAC			

## Abmessungen und Gewicht

Modell	FJ500-SE	FJ500-SER	FJ500-DE	FJ500-DER
Länge	1.395 mm		1.435 mm	
Breite	610 mm	925 mm	610 mm	925 mm
Höhe	990 mm		1.015 mm	
Trockenmasse [Gewicht]	45 kg	57 kg	50 kg	62 kg

## Motor

Modell	GX160
Typ	4-Takt, 1-Zylinder, OHV, gebläsegekühlt
Hubraum	163 cm <sup>3</sup>
Bohrung × Hub	68,0 × 45,0 mm
Zündung	Transistor Magnetzündung
Zündkerze	BPR5ES (NGK), W16EPR-U (DENSO)
Füllmenge Motoröl	0,58 l
Füllmenge Kraftstofftank	2,4 l

## Kraftübertragung

Modell	FJ500-SE	FJ500-SER	FJ500-DE	FJ500-DER
Kupplung	Riemenspannung			
Getriebe	Vorwärts 1 Rückwärts 1		Vorwärts 2 Rückwärts 1	
Getriebeöl Füllmenge	0,95 l			

## Geräusche und Vibrationen

Typ	SE, SER	DE, DER
Geräuschpegel in Ohrnähe des Bedieners (EN ISO 11200: 1995)	81 dB (A)	81 dB (A)
Abweichung	2 dB (A)	2 dB (A)
Gemessener Schalleistungspegel (Referenz zur Motorhacke 2000/14/EC, 2005/88/EC)	96 dB (A)	96 dB (A)
Abweichung	2 dB (A)	2 dB (A)
Vibrationspegel an Hand/Arm (EN1033: 1995)	5,8 m/s <sup>2</sup>	7,8 m/s <sup>2</sup>
Abweichung (EN12096: 1997 Anhang D)	2,3 m/s <sup>2</sup>	3,1 m/s <sup>2</sup>

HINWEIS: Änderungen der technischen Daten ohne Vorankündigung jederzeit vorbehalten.





# Honda FJ500

## MANUAL DE EXPLICACIONES

Manual original



ECOLOGY CONSCIOUS TECHNOLOGY

La marca "e-SPEC" simboliza las tecnologías responsables con el medio ambiente aplicadas al equipo motorizado Honda, que contiene nuestro deseo de "conservar la naturaleza para las generaciones del futuro".



---

Muchísimas gracias por haber adquirido una cultivadora Honda.

Este manual cubre las operaciones de funcionamiento y mantenimiento de la cultivadora FJ500.

Toda la información de este manual se basa en los datos más actualizados disponibles al realizarse la impresión.

Honda Motor Co., Ltd. se reserva el derecho a realizar cambios sin previo aviso y sin incurrir por ello en ninguna obligación.

Ninguna parte de este manual puede reproducirse sin permiso por escrito.

Este manual debe ser considerado como una parte permanente de la cultivadora y debe permanecer con ella en el momento de su venta.

Prestar especial atención a las indicaciones precedidas de las palabras siguientes:

**⚠ ADVERTENCIA** Indica una fuerte posibilidad de severos daños personales o aun fatales si no se siguen las instrucciones.

**PRECAUCIÓN:** Indica una posibilidad de poder sufrir daños personales o averías en el equipo si no sigue las instrucciones.

NOTA: Ofrece información útil.

Si acontece algún problema, o si se tiene alguna pregunta acerca de la cultivadora, consulte con el distribuidor autorizado de cultivadoras de Honda.

**⚠ ADVERTENCIA**  
La cultivadora Honda está diseñada para ofrecer un servicio seguro y confiable si se opera de acuerdo con las instrucciones. Lea y comprenda el manual de instrucciones antes de operar la cultivadora. De no hacerse así, podrían producirse heridas personales o daños al equipo.

- La ilustración puede variar acuerdo con tipo.

---

### **Eliminación**

Para proteger el medio ambiente, no tire el producto, la batería, el aceite de motor, etc. usados en un lugar de recolección de la basura. Observe las leyes y regulaciones de su localidad o consulte a un concesionario Honda autorizado cuando deba tirar tales partes.

# ÍNDICE

---

1. INSTRUCCIONES DE SEGURIDAD .....	3
2. SITUACIÓN DE LAS ETIQUETAS DE SEGURIDAD .....	9
Ubicación de la marca de CE .....	10
Ubicación de los números de serie.....	11
3. NOMENCLATURA DE LOS COMPONENTES .....	12
4. ANTES DE PONER EN MARCHA EL MOTOR .....	14
5. ARRANQUE DEL MOTOR .....	23
Modificación del carburador para funcionar a gran altitud .....	26
6. FUNCIONAMIENTO DE LA CULTIVADORA .....	27
7. PARADA DEL MOTOR .....	37
8. MANTENIMIENTO .....	40
9. TRANSPORTE/ALMACENAMIENTO .....	61
10. LOCALIZACIÓN DE AVERÍAS .....	64
11. ESPECIFICACIONES .....	65
DIRECCIONES DE LOS PRINCIPALES	
CONCESIONARIOS Honda .....	Interior contraportada
"Declaración de conformidad EC" RESUMEN DEL	
CONTENIDO.....	Interior contraportada

# 1. INSTRUCCIONES DE SEGURIDAD

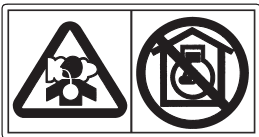
## ⚠ ADVERTENCIA

Para asegurar una operación segura -

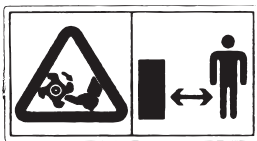
Para su propia seguridad y la de los demás, preste especial atención a estas precauciones:



- La segadora Honda está diseñada para ofrecer un servicio seguro y fiable si se opera de acuerdo con las instrucciones. Lea y comprenda el manual de instrucciones antes de operar la cultivadora. Si no lo hiciera así, podrían producirse daños personales o daños en el equipo.



- Los gases de escape contienen monóxido de carbono venenoso, que es un gas incoloro e inodoro. Si se aspira monóxido de carbono puede ocasionar la pérdida del conocimiento y puede causar la muerte.
- Si pone en marcha la cultivadora en lugares cerrados, o incluso en lugares parcialmente cerrados, es posible que el aire que usted respire contenga una cantidad peligrosa de gases de escape.
- No ponga nunca en marcha la cultivadora dentro de un garaje, de una casa, ni cerca de puertas o ventanas abiertas.



- Las púas giratorias están afiladas y giran a alta velocidad. El contacto accidental puede causar serios daños personales.
- Mantenga las manos y los pies apartados de los dientes mientras el motor esté en marcha.
- Pare el motor y desacople el embrague de las púas antes de la inspección o del mantenimiento de las púas.
- Desconecte la tapa de la bujía para evitar la posibilidad de arranque accidental. Póngase guantes duros para protegerse las manos contra las púas cuando efectúe la limpieza de las púas o cuando inspeccione o reemplace las púas.



- La gasolina es altamente inflamable y explosiva bajo ciertas condiciones.
- No fume ni acerque fuego ni chispas al lugar en el que se reposte la cultivadora o en el que guarde la gasolina.
- No rellene con exceso el depósito de combustible, y asegúrese de que la tapa del depósito esté cerrada con seguridad después de repostar.

## Responsabilidad del operador

- Mantenga la cultivadora en buen estado de funcionamiento. Si se opera la cultivadora en malas condiciones, puede ocasionar serios daños personales.
- Asegúrese de que todos los dispositivos de seguridad funcionen perfectamente y que las etiquetas de advertencia estén en su lugar. Estos elementos se instalan para su seguridad.
- Asegúrese de que las cubiertas de seguridad (cubiertas de las púas, cubierta del ventilador y cubierta del arrancador de retroceso) estén todas en su lugar.
- Sepa cómo parar el motor y las púas con rapidez en caso de emergencia. Comprenda el empleo de todos los controles.
- Mantenga con firmeza el manillar. Puede tender a levantarse durante el engrane del embrague.

## **⚠ ADVERTENCIA**

**Para asegurar una operación segura -**

### **Responsabilidad del operador**

- Lea atentamente el manual del propietario. Familiarícese con los controles y con la utilización correcta de la cultivadora.
- Emplee la cultivadora para el propósito para el que se ha hecho, es decir, cultivar la tierra. Cualquier otra aplicación puede ser peligrosa y causar danos en el equipo, especialmente no la emplee nunca para cultivar tierra que tenga rocas, piedras, alambres, o cualquier otro material duro.
- No permita nunca el empleo de esta cultivadora a niños ni a gente que no esté familiarizada con este manual de instrucciones. Las regulaciones locales pueden tener restricciones sobre la edad del operador.
- Antes de utilizarla cada vez, efectúe una inspección visual de la cultivadora, incluyendo el desgaste de las partes, daños, y flojedad. Si es necesario, reemplace las partes dañadas como un mismo conjunto.
- Recuerde que el propietario o usuario es el responsable de los accidentes o daños que puedan ocurrir a otras personas o a sus propiedades. En el caso de utilizarla en alquiler, asegúrese de que se den las explicaciones sobre su operación en presencia del usuario.
- Mantenga las manos y los pies apartados de las púas mientras el motor esté en marcha.
- Si permite a alguien que opere esta cultivadora sin las instrucciones adecuadas, puede resultar en daños personales.
- Póngase calzado fuerte y completo. La operación de esta cultivadora estando descalzo o con sandalias aumenta el peligro de daños personales.
- Vístase apropiadamente. La ropa holgada puede engancharse en las partes móviles, lo cual hace aumentar el peligro de heridas.
- Tenga cuidado. Si opera esta cultivadora cuando está cansado, enfermo o bajo la influencia de alcohol o drogas puede resultar en daños serios.
- Mantenga a todas las personas y animales domésticos apartados de la zona de cultivo.
- Asegúrese de que la barra de arrastre esté en su lugar y correctamente ajustada.
- No cambie los ajustes del regulador del motor ni sobreacelere el motor.
- Arranque el motor con cuidado de acuerdo con las instrucciones de este manual, manteniendo los pies apartados de las púas.
- Cuando arranque el motor, mantenga los pies apartados de las púas.
- No opere la segadora por la noche ni cuando haga mal tiempo o la visibilidad sea mala, porque correrá un riesgo muy grande de accidentes.
- Durante la operación ande, y no corra nunca.
- Cuando retroceda durante la operación preste especial atención a la gente y a los obstáculos que pudiera haber detrás del operador.
- Antes de transportar y de elevar la cultivadora, asegúrese de que el motor esté parado.

## **⚠ ADVERTENCIA**

**Para asegurar una operación segura -**

### **Responsabilidad del operador**

- Para el motor en los casos siguientes:
  - Siempre que deje sola la cultivadora.
  - Antes de repostar combustible.
- Cuando pare el motor, mueva la palanca del acelerador a la posición LOW, y entonces gire el interruptor del motor a la posición de desconexión (OFF). Si la cultivadora está equipada de una válvula de combustible, asegúrese de cerrar (OFF) la válvula de combustible.
- Mantenga todas las tuercas, pernos, y tornillos apretados para asegurarse de que la cultivadora está en estado de funcionamiento seguro. El mantenimiento regular es una ayuda esencial para la seguridad del usuario y conservar un alto nivel de rendimiento.
- No guarde nunca la cultivadora con gasolina dentro del depósito en el interior de un edificio donde el vapor del combustible pueda llegar a un fuego, chispa, o fuente de altas temperaturas.
- Deje que se enfríe el motor antes de guardarla en un lugar cerrado.
- Para reducir el peligro de incendios, mantenga la cultivadora, especialmente el motor, silenciador, y también lugar de almacenaje de la gasolina, exentos de hierba, hojas, o grasa excesiva.  
No deje recipientes de materias vegetales dentro ni cerca de un edificio.
- Si es necesario drenar el depósito de combustible, deberá hacerlo en un lugar al aire libre, con el motor frío.
- Reemplace las partes desgastadas o dañadas para mayor seguridad.

### **Seguridad de los niños**

- Mantenga a los niños dentro de casa y vigílelos en todo momento cuando cualquier equipo eléctrico de exteriores se esté utilizando en las cercanías. Los niños se mueven con rapidez y les atrae especialmente la cultivadora y la actividad de cultivo.
- No se confíe nunca de que los niños están siempre allí donde usted los vio antes. Tenga cuidado y desconecte la cultivadora si los niños entran en el área de operación.
- Los niños nunca deben operar la cultivadora, ni siquiera bajo supervisión de adultos.

### **Peligro de objetos arrojados**

Los objetos golpeados por las púas giratorias pueden salir disparados con mucha fuerza, y pueden causar serios daños personales.

- Antes de la operación de cultivo, limpie el área de cultivo de palos, piedras grandes, hierros, vidrios, etc. Cultive solo bajo la luz diurna.
- Inspeccione siempre la cultivadora para ver si tiene algún daño después de haber golpeado algún objeto extraño. Repare o reemplace las partes dañadas antes de volver a utilizarla.
- Las piezas lanzadas por púas gastadas o dañadas pueden causar serios daños personales. Inspeccione siempre las púas antes de utilizar la cultivadora.

---

**⚠ ADVERTENCIA**

**Para asegurar una operación segura -**

**Peligro de incendios y quemaduras**

La gasolina es muy inflamable, y el vapor de gasolina puede explotar. Tenga mucho cuidado cuando manipule la gasolina. Mantenga la gasolina apartada del alcance de los niños.

- Añada combustible antes de arrancar el motor. No extraiga nunca la tapa del depósito de combustible ni añada gasolina mientras el motor esté en marcha ni cuando el motor esté caliente.
- Reposte en un lugar bien ventilado estando el motor parado.
- Reposte solo en exteriores y no fume mientras repostas ni mientras manipulas combustible.
- Deje que se enfríe el motor antes de repostar. El vapor o los derrames de combustible pueden encenderse.
- El motor y el sistema de escape se ponen muy calientes durante la operación y permanecen calientes durante un rato después de parar. El contacto con los componentes calientes del motor puede causar daños de quemaduras y puede encender ciertos materiales.
- No toque el motor ni el sistema de escape estando calientes.
- Permita que se enfríe el motor antes de efectuar el mantenimiento o de guardar la cultivadora en interiores.
- Apriete todas las tapas del depósito de combustible y del recipiente de combustible de modo que estén bien cerradas.
- Guarde el combustible en recipientes especialmente diseñados para tales aplicaciones.
- Si se ha derramado combustible, no intente arrancar el motor; traslade la segadora a un lugar donde no haya combustible derramado y evite cualquier tipo de encendido hasta que se haya disipado el vapor del combustible.



---

**⚠ ADVERTENCIA**

**Para asegurar una operación segura -**

### **Peligro de envenenamiento por monóxido de carbono**

Los gases de escape contienen gas de monóxido de carbono venenoso, que es un gas incoloro e inodoro. Si se respiran estos gases pueden causar la pérdida de la consciencia y pueden ocasionar incluso la muerte.

- Si usted pone en marcha el motor en un lugar cerrado aunque sea parcialmente, el aire que respire puede contener una cantidad peligrosa de gases de escape. Para evitar que se acumulen los gases de escape, proporcione ventilación adecuada.
- Reemplace el silenciador defectuoso.
- No opere el motor en un lugar cerrado donde puedan acumularse los peligrosos gases de monóxido de carbono.

### **Operación en una cuesta**

- Cuando cultive en cuestas, mantenga el depósito de combustible a menos de la mitad de su capacidad para minimizar el derrame de combustible.
- Cultive transversalmente en cuestas (a intervalos de espacios iguales) en lugar de hacerlo hacia arriba y abajo.
- Tenga mucho cuidado al cambiar la dirección de la cultivadora en una cuesta.
- No emplee la cultivadora en una cuesta de más de 10° (17%).

El ángulo máximo de grados de seguridad mostrado es solo como referencia y deberá determinarse de acuerdo con el tipo de la herramienta. Antes de arrancar el motor, compruebe que la cultivadora no esté dañada y que esté en buen estado de funcionamiento. Por su seguridad y la de los demás, tenga mucho cuidado cuando emplee la cultivadora en cuestas o pendientes.

## 2. SITUACIÓN DE LAS ETIQUETAS DE SEGURIDAD

Estas etiquetas le avisan de peligros potenciales que pueden causar heridas graves. Lea con atención las etiquetas y las notas de seguridad y precauciones descritas en este manual.

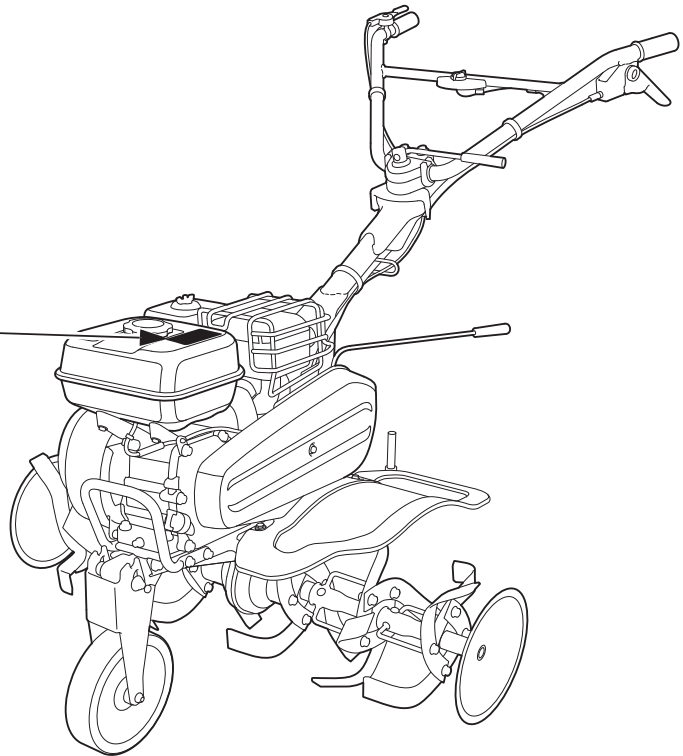
Si se despega una etiqueta o resulta difícil de leer, póngase en contacto con su concesionario de Honda para el reemplazo.

LEA EL MANUAL DEL PROPIETARIO

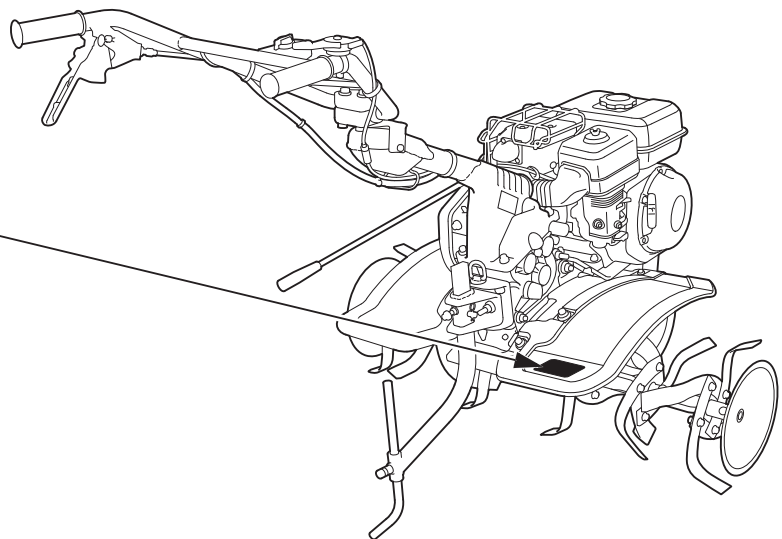
PRECAUCIÓN: GASES DE ESCAPE



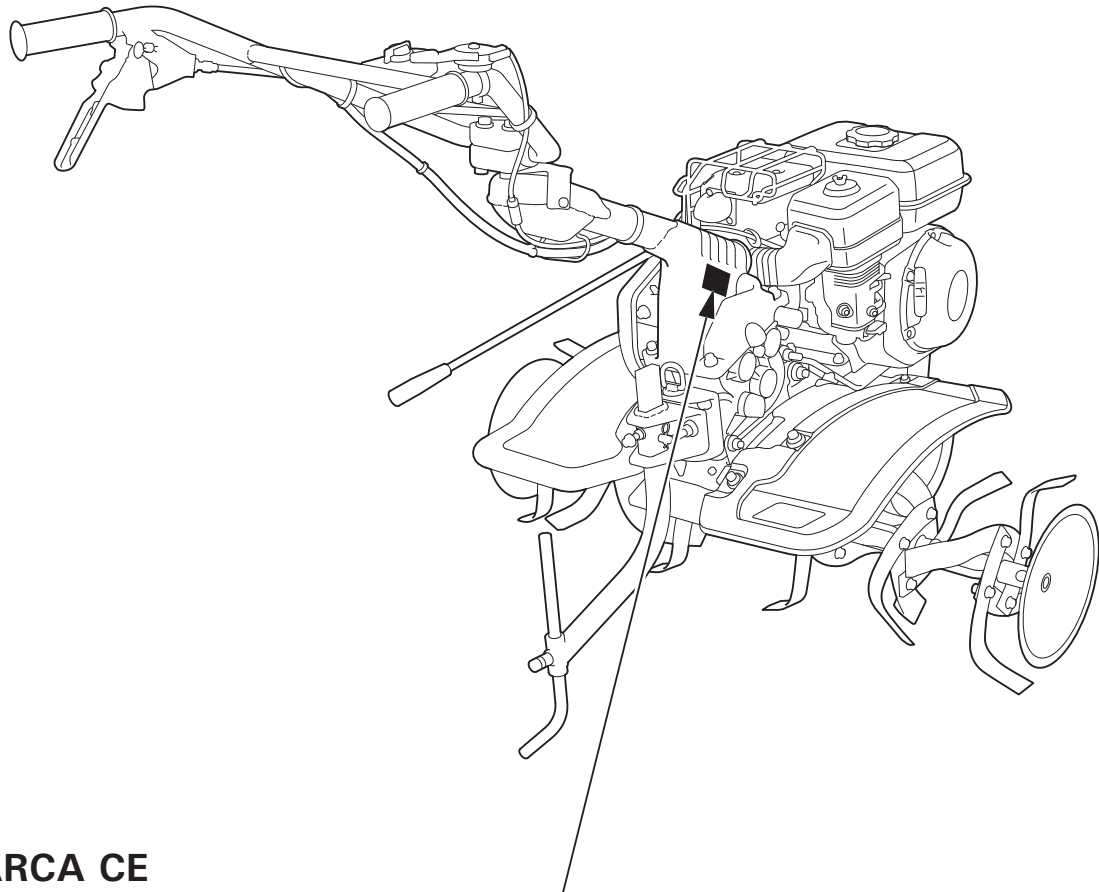
PRECAUCIÓN: COMBUSTIBLE



PELIGRO DE CORTES



## Ubicación de la marca de CE

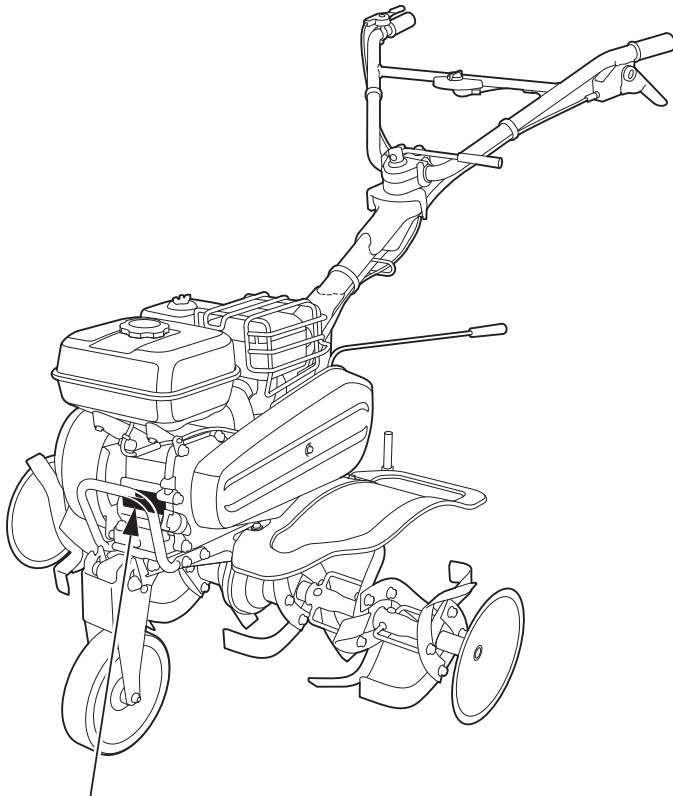


### MARCA CE

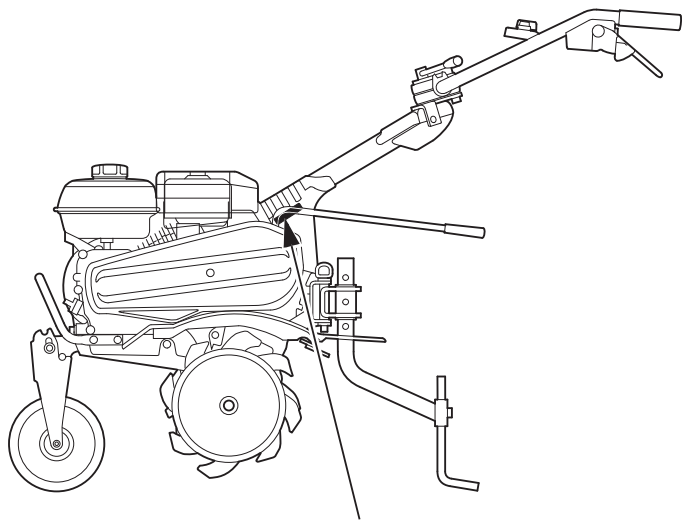
Nombre y dirección del fabricante		Nombre y dirección del representante autorizado	
Jialing-Honda Motors Co., Ltd. No.1 Guan Yue South Road. Yubei District, Chongqing, CHINA		<b>Honda Motor Europe Ltd.</b> <b>Aalst Office</b> Wijngaardveld 1 (Noord V), 9300 Aalst - BELGIUM	
	■ [ ]	■ [ ]	Año de fabricación
	■ [ ] kW	■ [ ] kg	Masa de la máquina (especificación estándar)
Solo tipo DER	Potencia neta del motor	Código de descripción	

---

## Ubicación de los números de serie



**NÚMERO DE SERIE  
DEL MOTOR**



**NÚMERO DE SERIE DEL  
BASTIDOR**

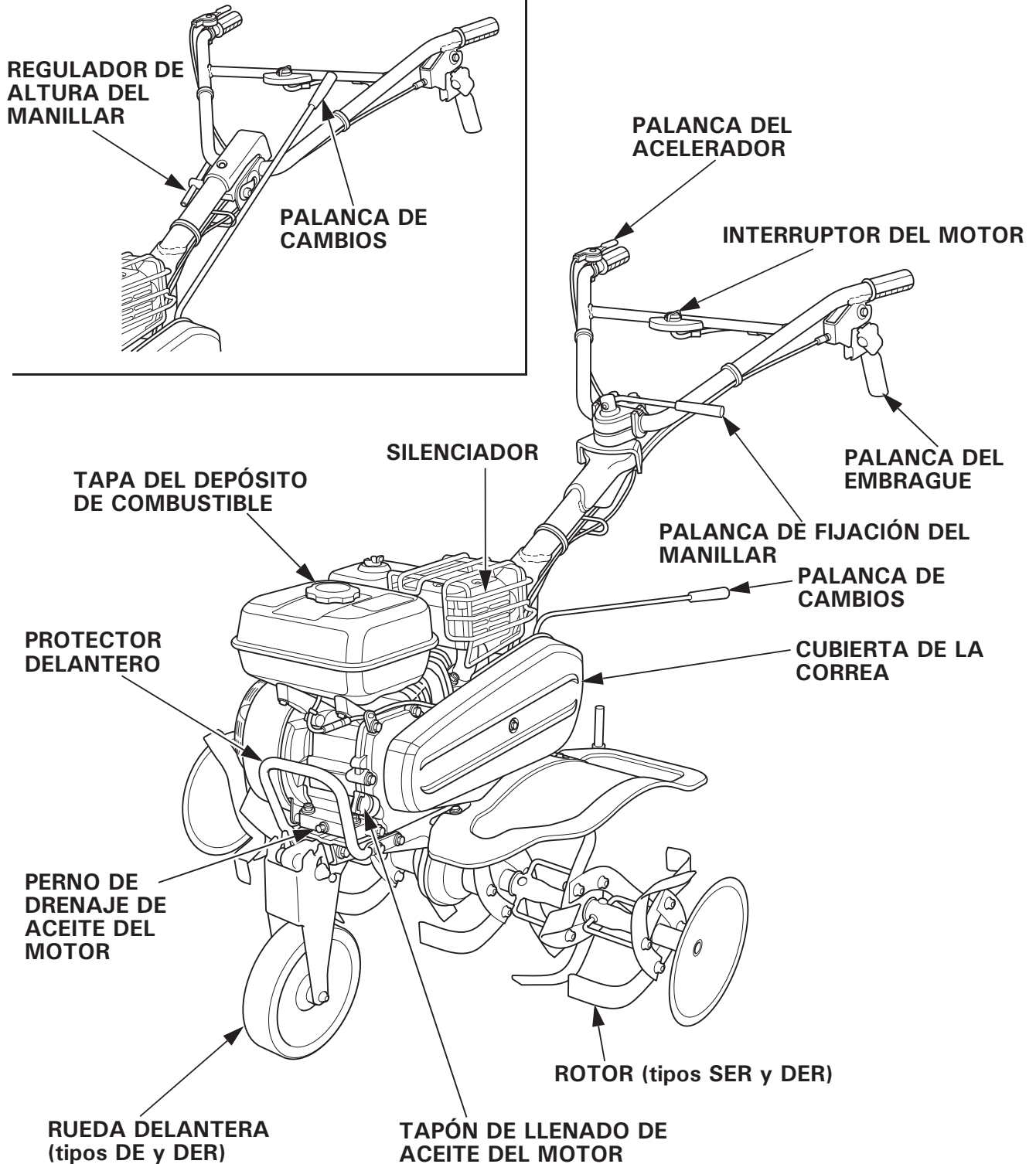
Anote el número de serie del motor y del bastidor en el espacio siguiente. Necesitará estos números para solicitar recambios.

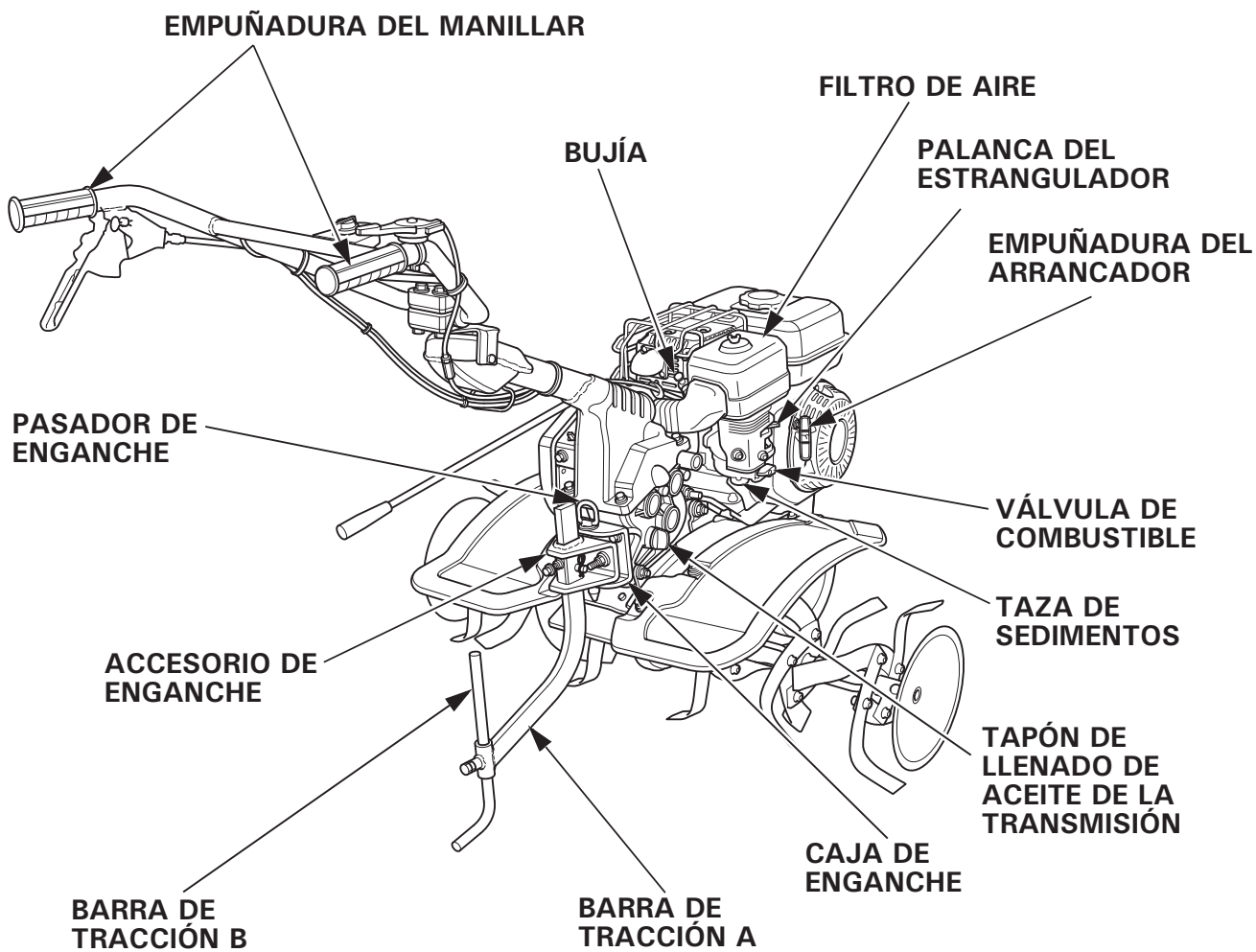
Número de serie del bastidor: \_\_\_\_\_

Número de serie del motor: \_\_\_\_\_

# 3. NOMENCLATURA DE LOS COMPONENTES

Tipos SE y SER:





## 4. ANTES DE PONER EN MARCHA EL MOTOR

---

### **⚠ ADVERTENCIA**

Ponga la cultivadora sobre una superficie firme y nivelada y mantenga nivelada la cultivadora (es decir, con las púas rotativas, rueda delantera (tipos DE y DER) y la barra de tracción (vea la página 15)). Pare el motor antes de empezar el servicio de la cultivadora. Si se realiza el servicio de la cultivadora sobre una superficie inestable del suelo o sin haber parado el motor, pueden producirse lesiones y/o daños en el equipo.

La inspección y el servicio diarios de la cultivadora son esenciales para la operación segura y fiable. Antes de la operación, efectúe la comprobación siguiente.

#### **1. Exterior de la cultivadora**

Compruebe si existen fugas de combustible o aceite del motor. Compruebe que no haya materiales inflamables (polvo, paja, etc.) en las cercanías del motor.

#### **2. Función de la palanca de control**

Compruebe que la palanca opere con suavidad.

#### **3. Cableado de la cultivadora**

Compruebe el aislamiento de cada cable en busca de grietas y cortes. Compruebe si hay algún cable pellizcado por las piezas circundantes.

#### **4. Funcionamiento del motor**

- Arranque el motor. Compruebe si emite ruidos anómalos. (Para el procedimiento de arranque, vea las páginas 23 a 25.)
- Compruebe que el motor se para con seguridad operando el interruptor del motor. (Para el procedimiento de parada, vea las páginas 37 a 39.)
- Si nota algún otro síntoma anormal, consulte sin falta a su concesionario Honda autorizado.

#### **5. Pernos y tuercas**

Compruebe si hay flojedad en las partes apretadas. Apriete bien todas las partes que estén flojas.

## 6. Aceite de motor

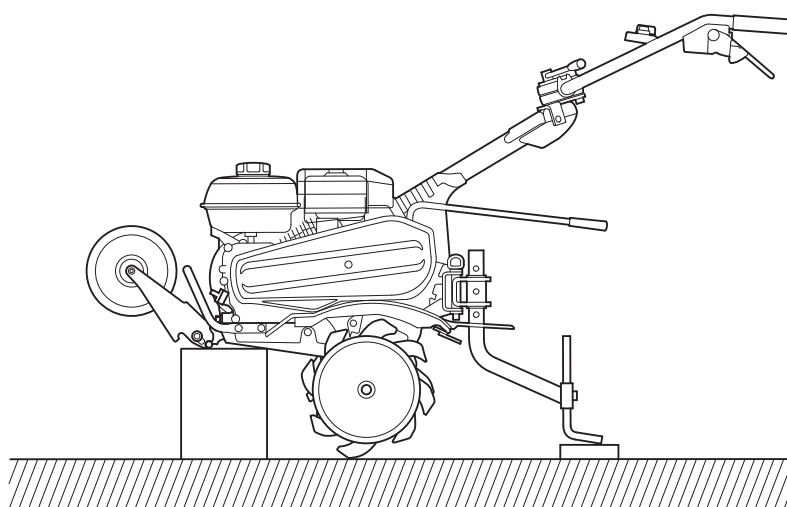
### PRECAUCIÓN:

Si se hace funcionar el motor sin suficiente aceite se pueden causar serios daños al mismo.

#### 1. Tipos DE y DER:

Colocar la rueda delantera en posición UP (vea la página 34).

#### 2. Apárquela en terreno llano, detenga el motor, coloque una montura adecuada bajo el bastidor delantero y un bloque de madera bajo la barra del manillar según se indica, para mantener la cultivadora horizontal.

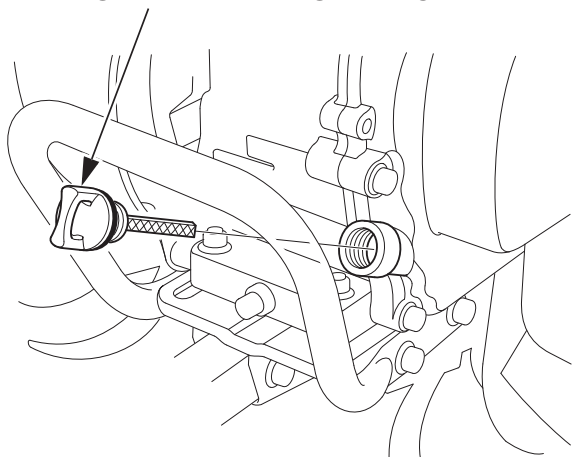


#### 3. Extraiga el tapón de llenado de aceite.

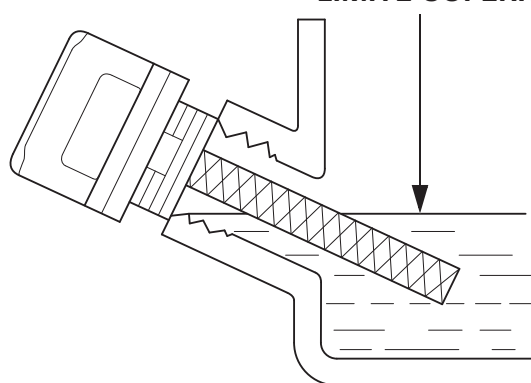
#### 4. Compruebe el nivel de aceite. Si está por debajo del límite superior, añada aceite recomendado (ver página 16) hasta el límite superior.

#### 5. Vuelva a instalar el tapón de llenado de aceite.

TAPÓN DE LLENADO DE ACEITE



LÍMITE SUPERIOR





---

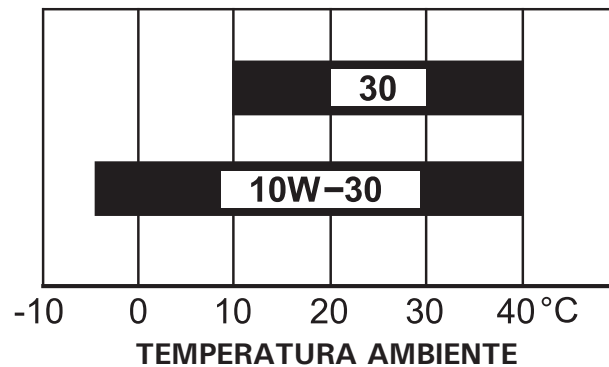
### Aceite recomendado

Emplee aceite de motor de 4 tiempos que cumpla o exceda los requisitos para la categoría de servicio API SE o posterior (o equivalente). (El aceite de motor perteneciente a la categoría SE muestra esta designación en el envase).

### PRECAUCIÓN:

**El empleo de aceite no detergente o de aceite de motor de 2 tiempos acortará la vida útil de servicio del motor.**

Se recomienda el SAE 10W-30 para aplicaciones generales. Las otras viscosidades mostradas en la gráfica pueden utilizarse cuando la temperatura media de su zona está dentro del margen indicado.

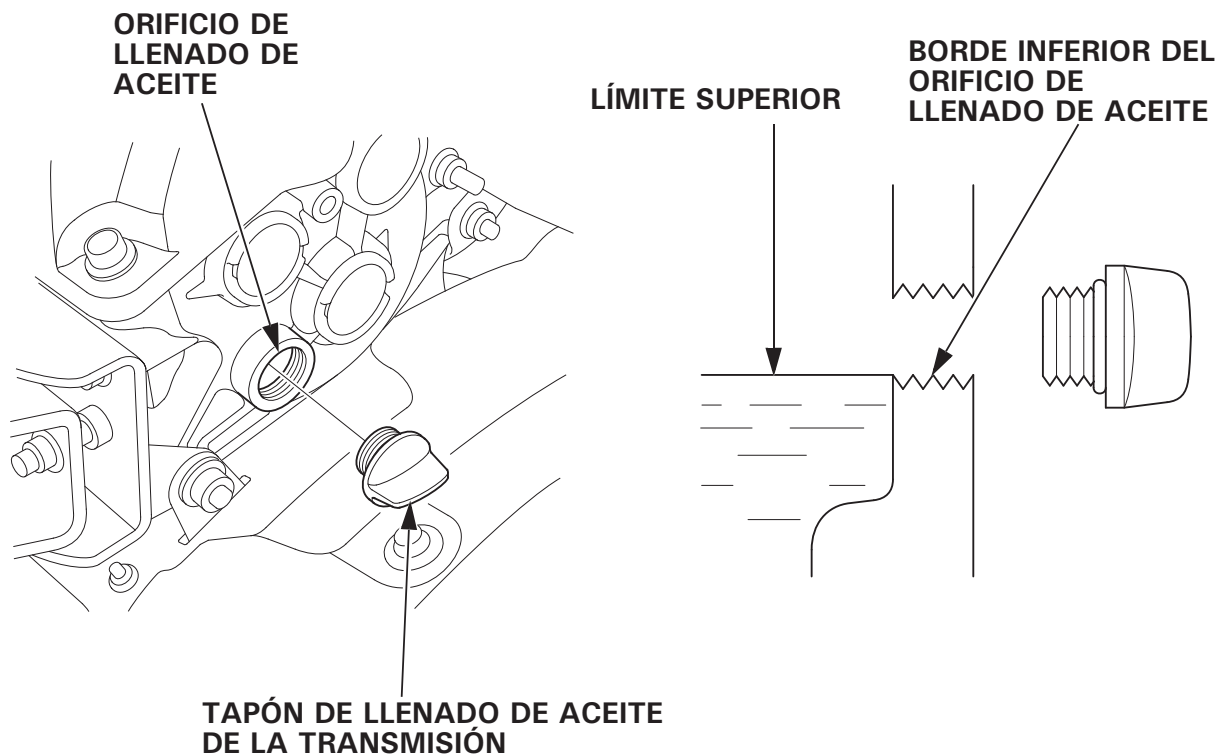


## 7. Aceite de engranajes de la transmisión

Poner la cultivadora sobre una superficie nivelada y quitar el tapón de llenado de aceite. El aceite deberá estar al mismo nivel que el borde inferior del orificio de llenado de aceite. Añada aceite del recomendado si el nivel es bajo.

### Aceite recomendado

Emplee aceite de motor de 4 tiempos 10W-30 que cumpla o supere los requisitos para la categoría de servicios API SE o posterior (o equivalente). (El aceite de motor perteneciente a la categoría SE muestra esta designación en el envase).



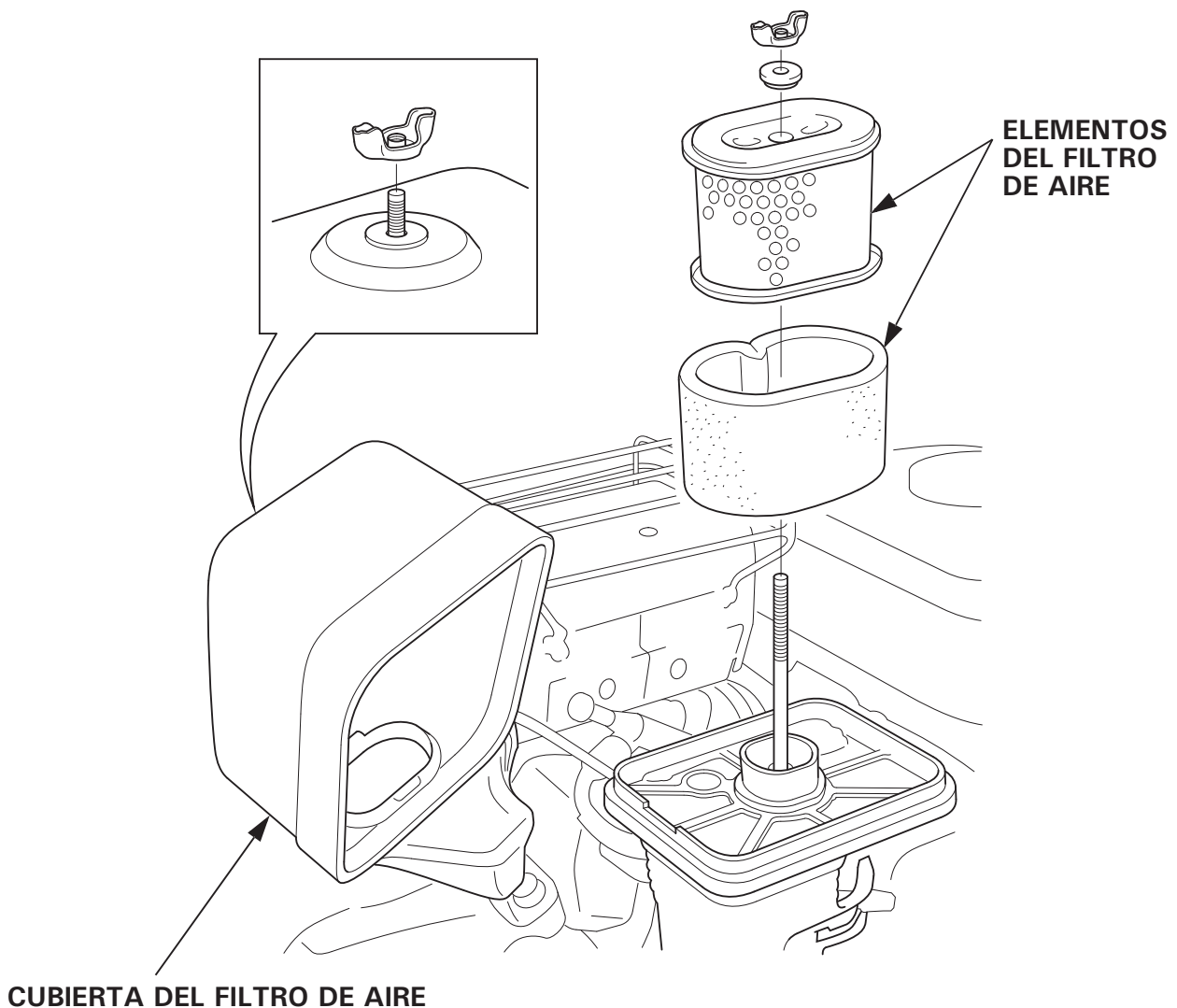
## 8. Filtro de aire

### PRECAUCIÓN:

No ponga nunca en marcha el motor sin el filtro de aire. Esto producirá un desgaste rápido del motor.

Extraiga la cubierta del filtro de aire.

Compruebe si hay suciedad u obstrucción en los elementos del filtro de aire. Límpielos si es necesario (vea la página 43).

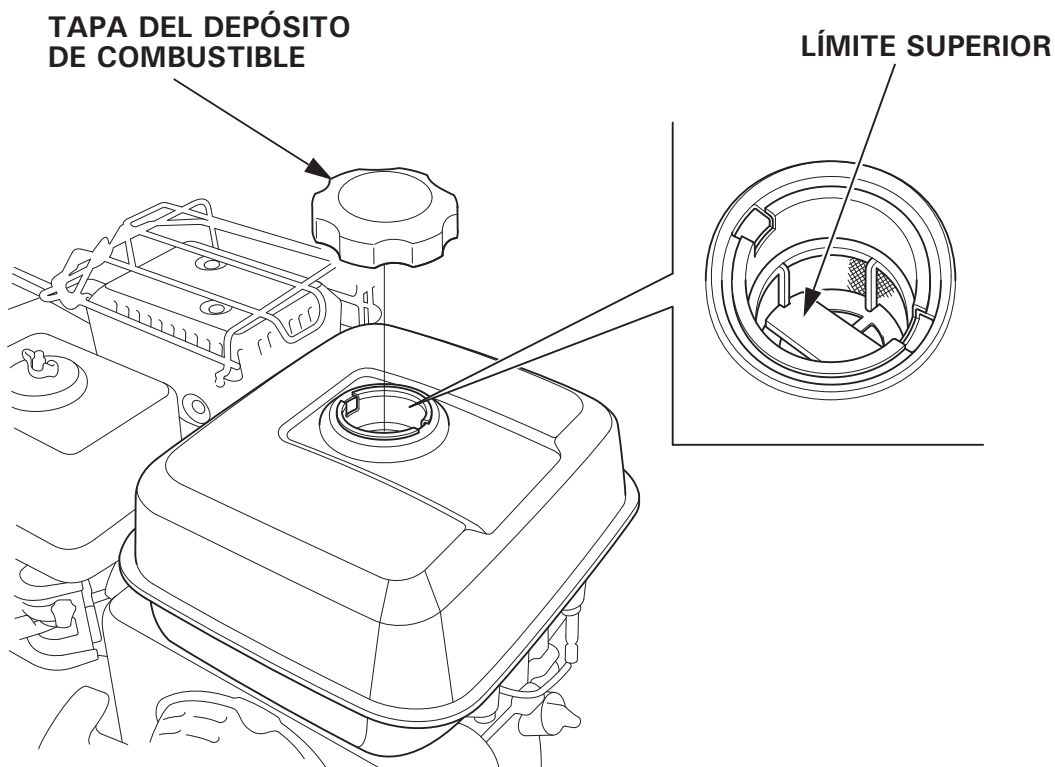


## 9. Combustible

Compruebe el nivel de combustible y reposte el depósito si el nivel estuviese bajo. Emplee gasolina sin plomo con un índice de octanos RON de 91 o más alto (un número de octanos de bomba de 86 o más alto). No utilice nunca una mezcla de aceite y gasolina o una gasolina sucia. Evitar que impurezas, polvo o agua entren al interior del depósito de combustible.

### ⚠ ADVERTENCIA

- La gasolina es altamente inflamable y explosiva bajo ciertas condiciones.
- Reposte en un lugar bien ventilado estando el motor parado. No fume ni permita llamas ni chispas en el lugar donde se reposta el motor o donde se guarda la gasolina.
- No llene excesivamente el depósito de combustible (no debe haber combustible en el cuello de llenado). Después de repostar, asegúrese de que la tapa del depósito quede correctamente cerrada con seguridad.
- Tenga cuidado de no derramar combustible cuando se rellena. El combustible derramado o el vapor del combustible pueden encenderse. Si se derrama combustible, cerciórese de que el área se encuentre seca antes de poner en marcha el motor.
- Evite el contacto repetido y prolongado con la piel o con el vapor al respirar. **MANTENER FUERA DEL ALCANCE DE LOS NIÑOS.**



---

## NOTA:

La gasolina se deteriora con rapidez dependiendo de factores tales como la exposición a la luz, la temperatura y el tiempo.

En el peor de los casos, la gasolina puede echarse a perder en 30 días.

El empleo de gasolina sucia puede causar serios daños en el motor (obstrucciones en el carburador, agarrotamiento de válvulas).

Estos daños debidos a un combustible que no está en buenas condiciones no están cubiertos por la garantía.

Para evitar estas situaciones, siga estrictamente estas recomendaciones:

- Emplee sólo la gasolina especificada (vea la página 19).
- Emplee gasolina nueva y limpia.
- Para aminorar el deterioro, mantenga la gasolina en un recipiente de combustible homologado.
- Si se tiene que almacenar durante mucho tiempo (más de 30 días), drene el depósito de combustible y el carburador (vea la página 61).

## Gasolinas con alcohol

Si decide utilizar gasolina con alcohol (gasohol), asegúrese que el octanaje sea al menos tan alto como el recomendado por Honda.

Existen dos tipos de "gasohol": uno que contiene etano y otro que contiene metanol.

No utilice gasohol con más del 10% de etano.

No emplee nunca gasolina que contenga más del 5% de metanol (alcohol metílico o alcohol de madera) o gasolina que contenga metanol si no contiene cosolventes e inhibidores contra la corrosión para metanol.

## NOTA:

- Los daños en el sistema de combustible o los problemas de rendimiento del motor causados por la utilización de gasolina que contenga más cantidad de alcohol que la recomendada no están cubiertos por la garantía.
- Antes de adquirir gasolina de una gasolinera desconocida, compruebe si la gasolina contiene alcohol, y en caso de contenerlo, pregunte el tipo y porcentaje de alcohol utilizado.

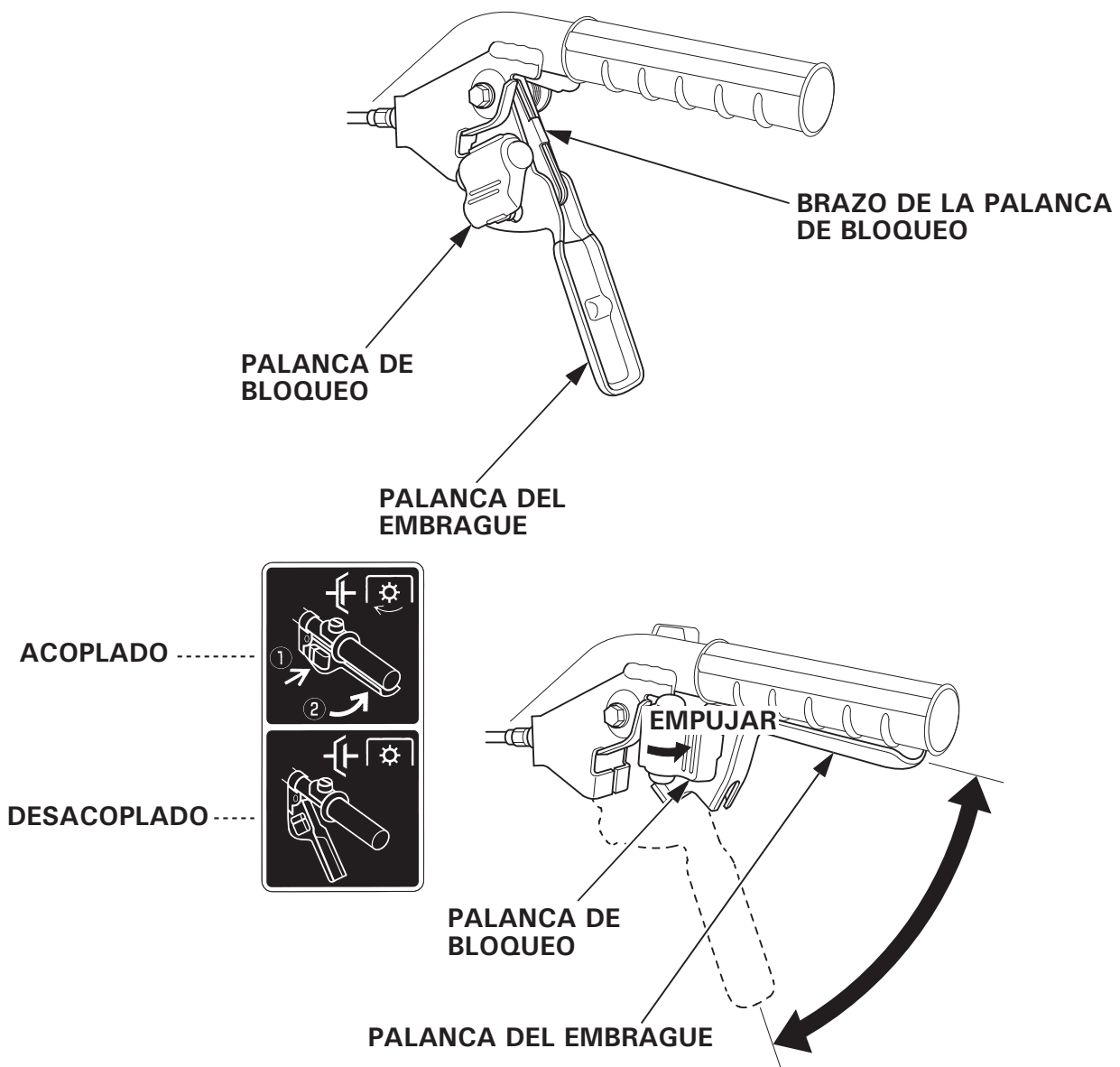
Si detecta síntomas de mal funcionamiento mientras usa una gasolina concreta. Cámbiese a una gasolina que sepa que contiene menos que la cantidad de alcohol recomendada.

## 10. Palanca del embrague

Antes de comprobar el funcionamiento, asegúrese de que no hay objetos extraños (tales como arena, tierra, ramitas, etc.) atrapados alrededor de la palanca del embrague, la palanca de bloqueo y/o el brazo de la palanca de bloqueo.

Compruebe que la palanca de bloqueo y la palanca del embrague funcionen con suavidad empujando la palanca de bloqueo y apretando la palanca del embrague.

Si la palanca de bloqueo y la palanca del embrague no funcionan con suavidad, o si el embrague se acopla apretando la palanca del embrague sin empujar la palanca de bloqueo, desmonte y limpie la palanca del embrague (vea la página 50).



---

## **11.Herramientas y accesorios**

Para instalar una herramienta o un accesorio en la cultivadora, siga las instrucciones incorporadas con la herramienta o accesorio. Solicite a su concesionario Honda que le aconseje en caso de encontrar algún problema o dificultad en la instalación de una herramienta o accesorio.

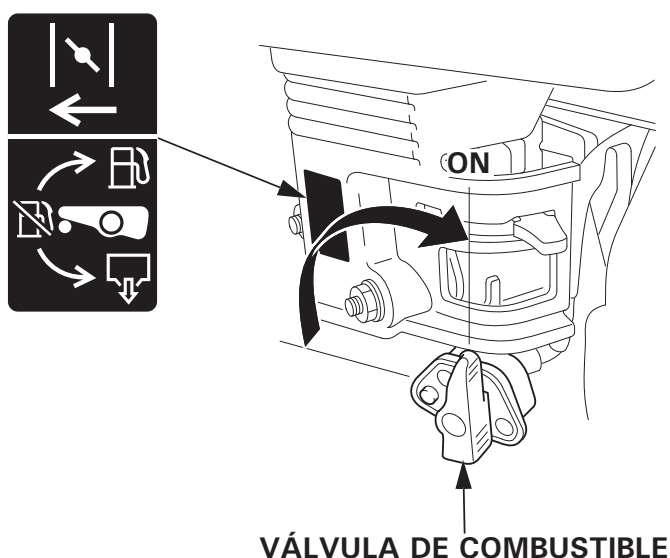
## 5. ARRANQUE DEL MOTOR

### PRECAUCIÓN:

Cerciórese de que el embrague esté desacoplado y de que la palanca de cambio de marchas esté en la posición neutra (punto muerto), para evitar que se produzcan movimientos incontrolados repentinos al poner en marcha el motor.

El embrague se acopla tirando de la palanca del embrague hacia dentro y se desacopla soltando la palanca.

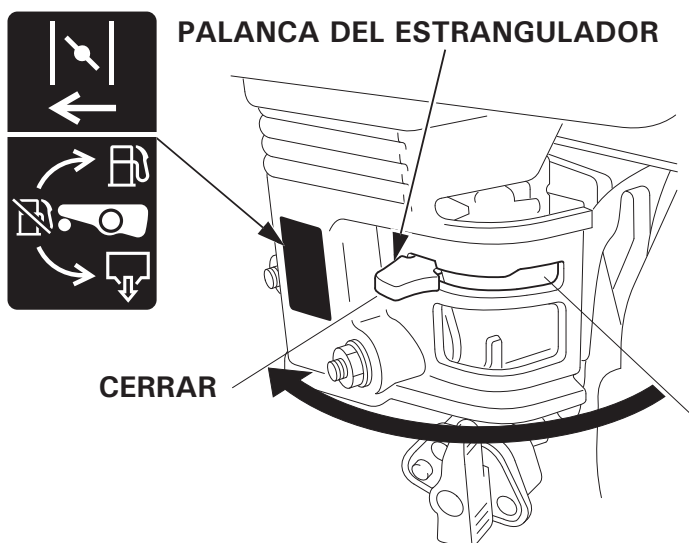
1. Gire la válvula de combustible a la posición ON.



2. En climas fríos y cuando el motor esté frío, coloque la palanca del estrangulador en la posición CERRAR.

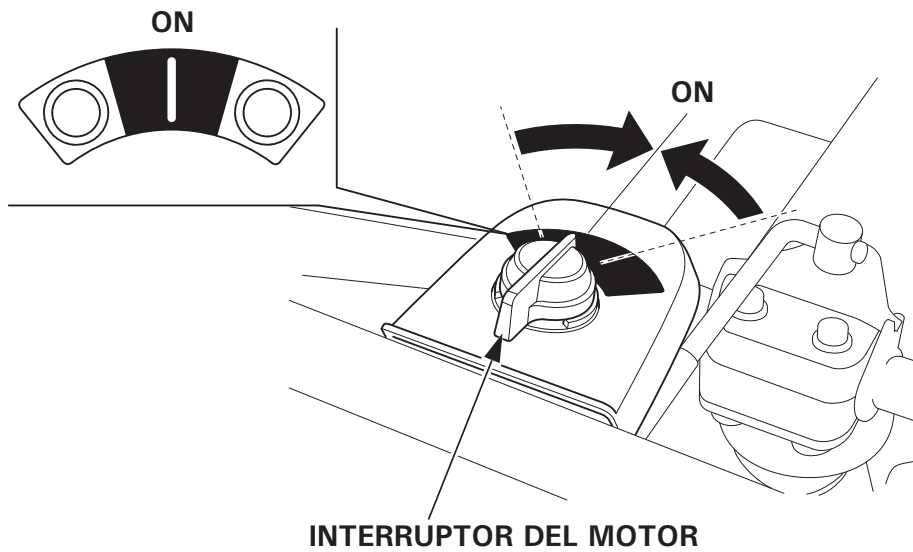
### NOTA:

No use la estrangulación si el motor está caliente o si la temperatura ambiental es elevada.

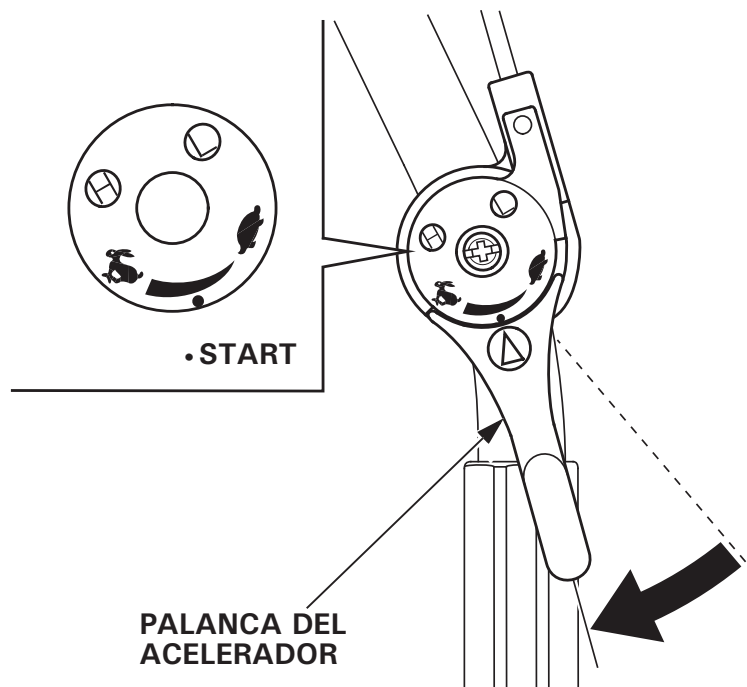




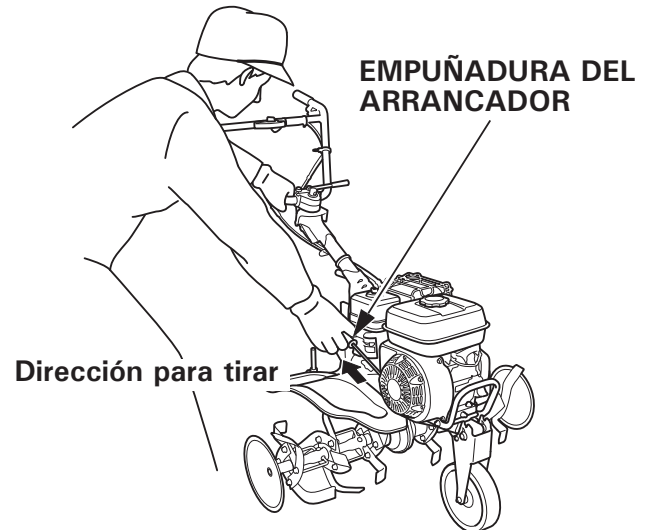
3. Gire el interruptor del motor a la posición ON.



4. Alinee la marca "  $\triangle$  " de la palanca del acelerador con la marca "  $\bullet$  " (posición START) como se muestra.



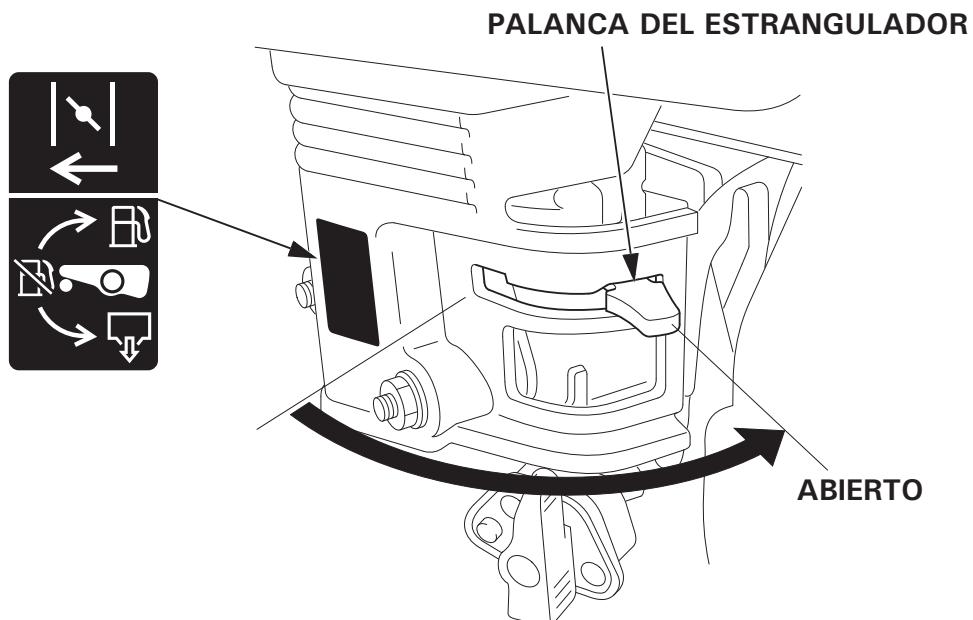
5. Tire ligeramente de la empuñadura del arrancador hasta que note resistencia, y entonces deje que vuelva la empuñadura una vez. Tome el manillar con la mano izquierda y tire con fuerza de la empuñadura del arrancador en la dirección de la flecha como se muestra.



**PRECAUCIÓN:**

**No permita que la empuñadura del arrancador retroceda con fuerza contra el motor. Haga que retorne con suavidad para evitar daños en el arrancador.**

6. Deje que se caliente el motor durante algunos minutos. Si se ha movido el estrangulador a la posición CERRADO, muévalo gradualmente a la posición ABIERTO a medida que se vaya calentando el motor.



---

## **Modificación del carburador para funcionar a gran altitud**

A grandes altitudes, la mezcla de aire-combustible del carburador normal será demasiado rica. Disminuirá el rendimiento y aumentará el consumo de combustible. Si la mezcla es demasiado rica, ensuciará también la bujía y puede dificultar el arranque. La operación a una altitud que varíe de aquella para la que este motor ha sido certificado, durante periodos de tiempo prolongados, podrá aumentar las emisiones.

El rendimiento a grandes altitudes podrá mejorarse mediante modificaciones específicas en el carburador. Si siempre opera la cultivadora a altitudes de más de 1.500 metros, solicite a su concesionario de servicio que efectúe esta modificación del carburador. Este motor conformará cada una de las normas sobre las emisiones de escape durante toda su vida de servicio cuando se opere a gran altitud con las modificaciones del carburador para funcionar a grandes altitudes.

Incluso con la modificación del carburador, la potencia del motor se reducirá aproximadamente el 3,5% por cada 300 m de incremento de la altitud. El efecto de la altitud en la potencia del motor será mayor si no se efectúan las modificaciones del carburador.

### **PRECAUCIÓN:**

**Cuando se haya modificado el carburador para funcionar a gran altitud, la mezcla de aire-combustible será demasiado pobre para funcionar a bajas altitudes. El funcionamiento a altitudes de menos de 1.500 metros con el carburador modificado puede causar sobrecalentamiento del motor y ocasionar serios daños en el motor. Para el funcionamiento a bajas altitudes, solicite a su concesionario de servicio que reajuste el carburador a las especificaciones originales de fábrica.**

# 6. FUNCIONAMIENTO DE LA CULTIVADORA

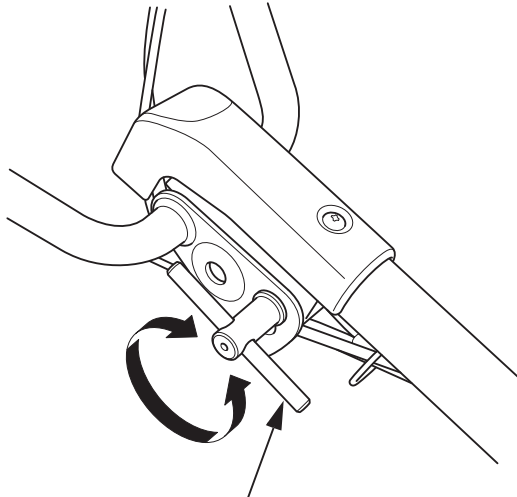
## 1. Ajuste de la altura del manillar

### PRECAUCIÓN:

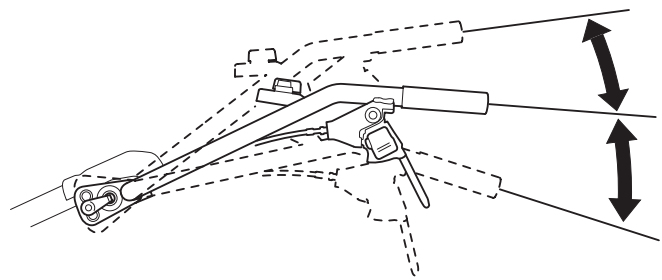
Antes de ajustar el manillar, ponga la cultivadora sobre un piso firme y nivelado para evitar que se caiga por accidente el manillar.

Tipos SE y SER:

Para ajustar la altura del manillar, afloje el ajustador de la altura del manillar, seleccione el orificio apropiado y apriete el ajustador.



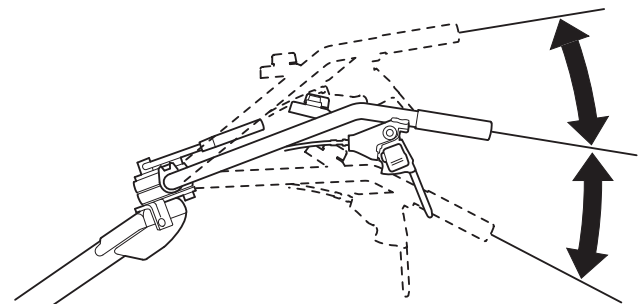
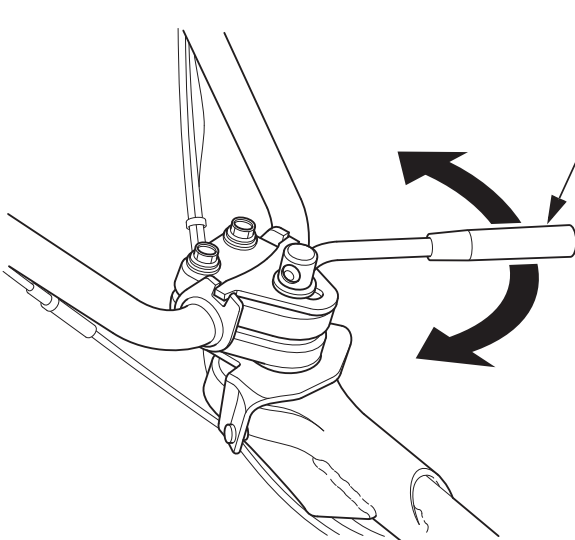
REGULADOR DE ALTURA DEL MANILLAR



Tipos DE y DER:

Para ajustar la altura del manillar, afloje la palanca de fijación del manillar, ponga el manillar en la posición deseada y apriete la palanca.

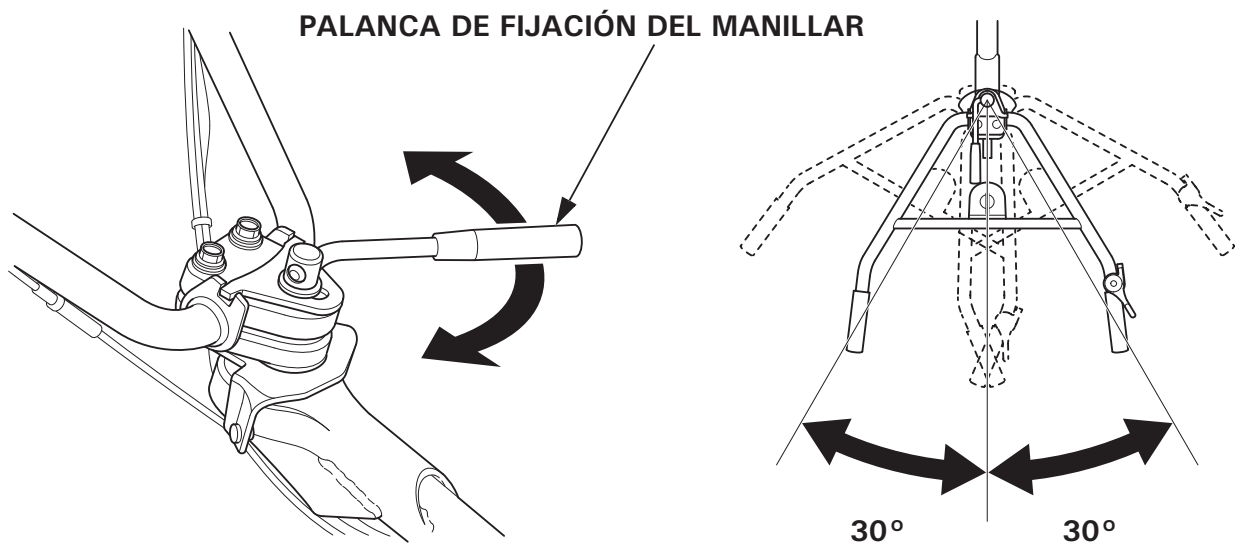
PALANCA DE FIJACIÓN DEL MANILLAR



## 2. Ajuste del ángulo del manillar

Tipos DE y DER:

Si es necesario efectuar el ajuste del ángulo del manillar, afloje la palanca de fijación del manillar, mueva el manillar a la posición requerida y apriete la palanca. El manillar puede inclinarse dentro de un recorrido de  $30^\circ$  desde el centro a la derecha y a la izquierda.

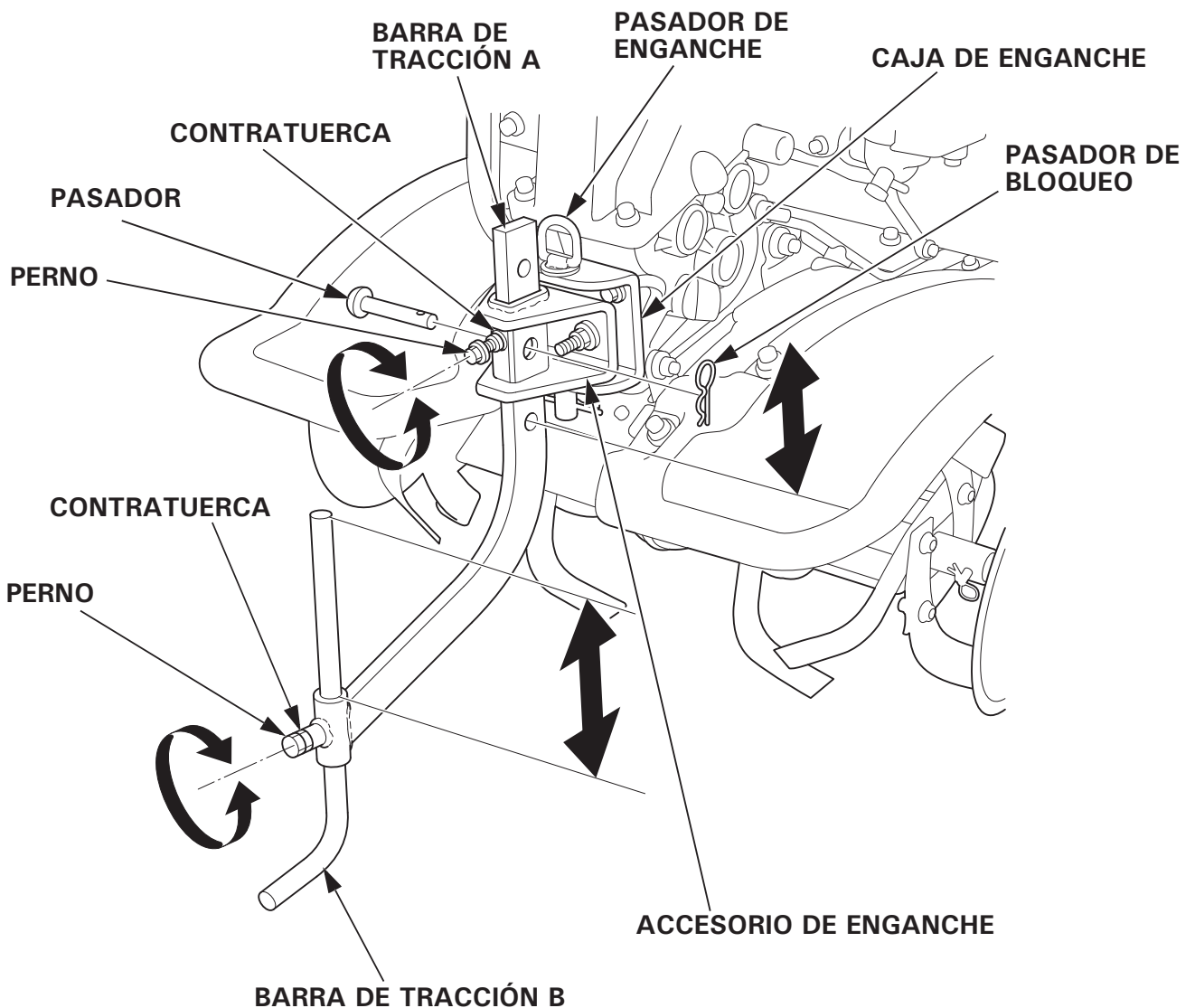


### 3. Ajuste de la profundidad de cultivo

Instale el accesorio de enganche en la caja de enganche con un pasador de enganche. El ajuste de la profundidad de cultivo puede realizarse del modo siguiente:

Extraiga el pasador de bloqueo y el pasador, afloje las contratuercas y los pernos que fijan las barras de tracción A y B, y deslice hacia arriba o abajo las barras de tracción como sea necesario. Después del ajuste, apriete los pernos y las contratuercas con seguridad.

Inserte el pasador y coloque el pasador de bloqueo.



## 4. Operación del embrague

El embrague acopla y desacopla la transmisión de potencia del motor a la caja de transmisión.

### PRECAUCIÓN:

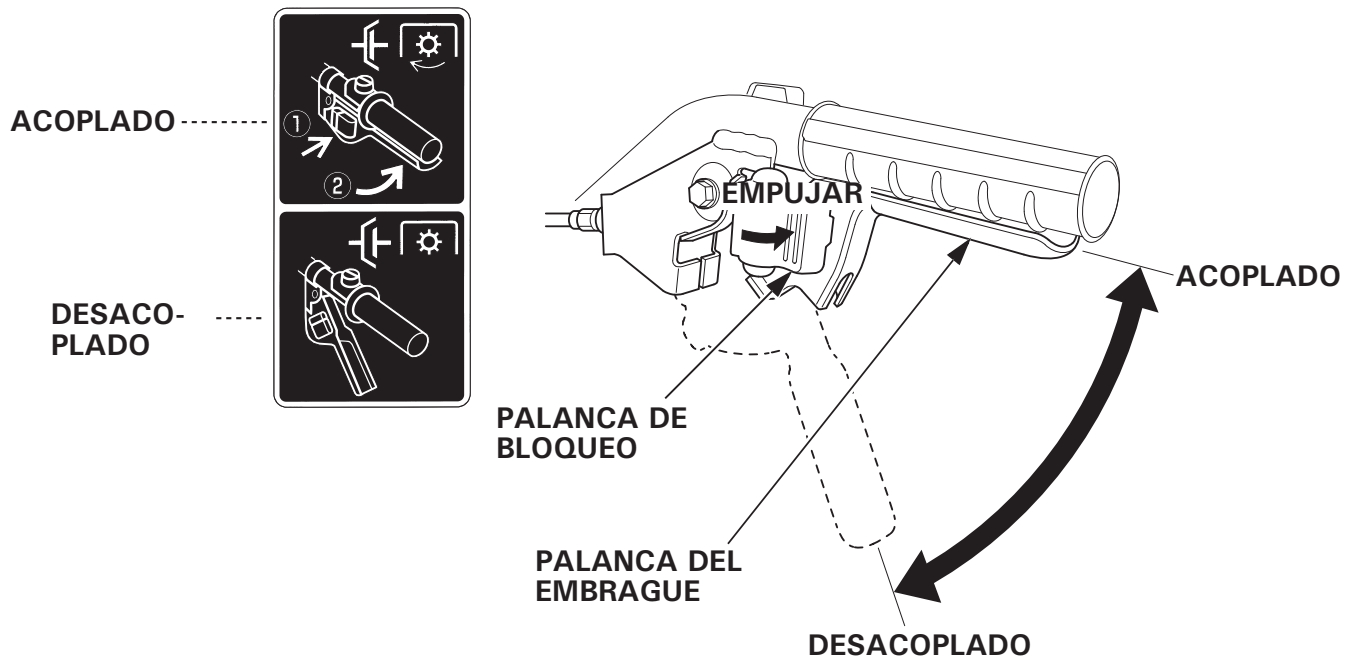
**Reduzca las revoluciones del motor antes de accionar el embrague.**

Acoplar:

1. Empuje y retenga la palanca de bloqueo.
2. Apriete la palanca del embrague.
3. El embrague está acoplado, suelte la palanca de bloqueo.

Desacoplar:

Suelte la palanca del embrague.



## 5. Selección de engranajes

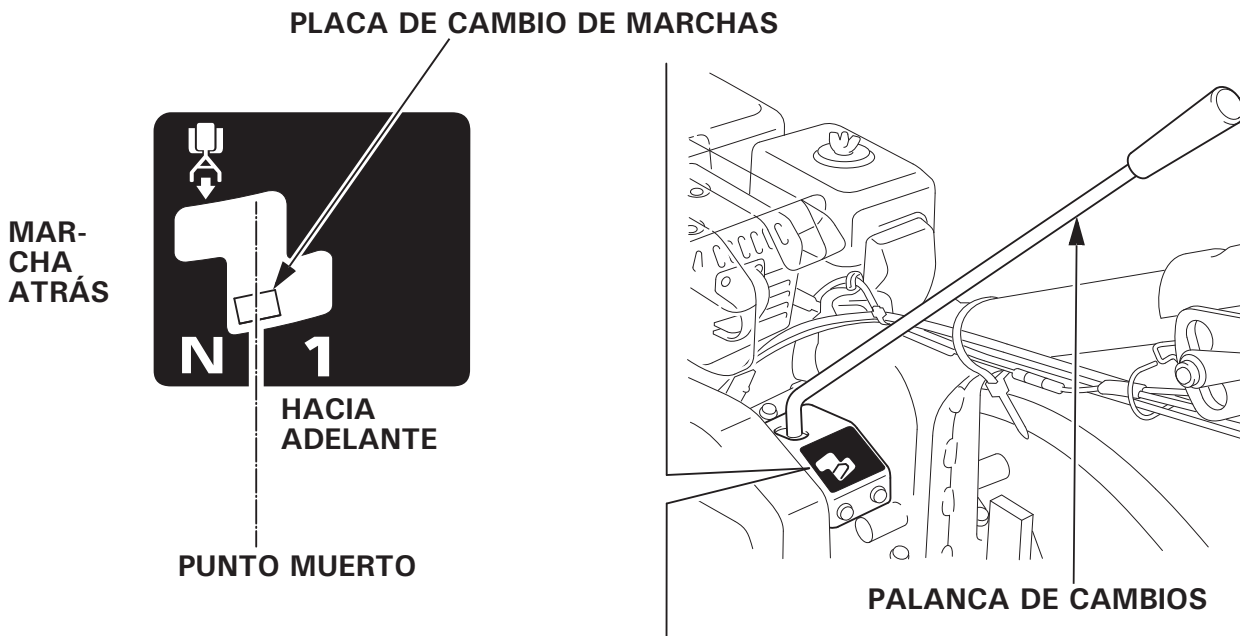
### PRECAUCIÓN:

Vuelva la palanca del estrangulador a la posición Low, y desenganche el embrague antes de mover la palanca de cambios. Evite usar excesiva fuerza sobre la palanca de cambios.

Seleccione una posición de engranaje que esté de acuerdo con el contenido de la tabla de selección de engranajes.

- Opere siempre la palanca de cambios después de haber desacoplado el embrague.
- Si la palanca de cambios es difícil de operar, presione una vez el embrague y desacople entonces el embrague y vuelva a operar la palanca de cambios.
- En la operación de retroceso, tenga especialmente cuidado en dónde pone los pies y observe las precauciones siguientes:
  1. Asegúrese de que no haya nadie ni ningún obstáculo detrás de usted.
  2. Reduzca la velocidad del motor.
  3. Sostenga el manillar con ambas manos y tómelolo con firmeza.
  4. Acople con cuidado el embrague y asegúrese de que pueda desacoplarse en cualquier momento.

Tipos SE y SER:





Tipos DE y DER:

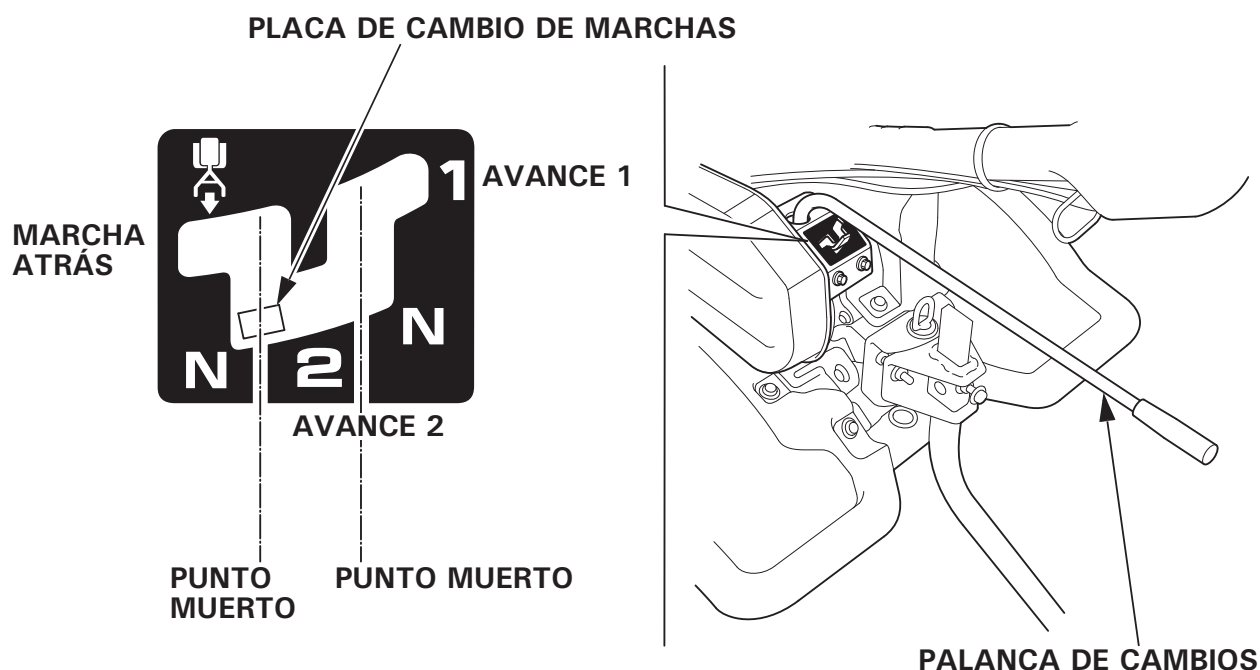
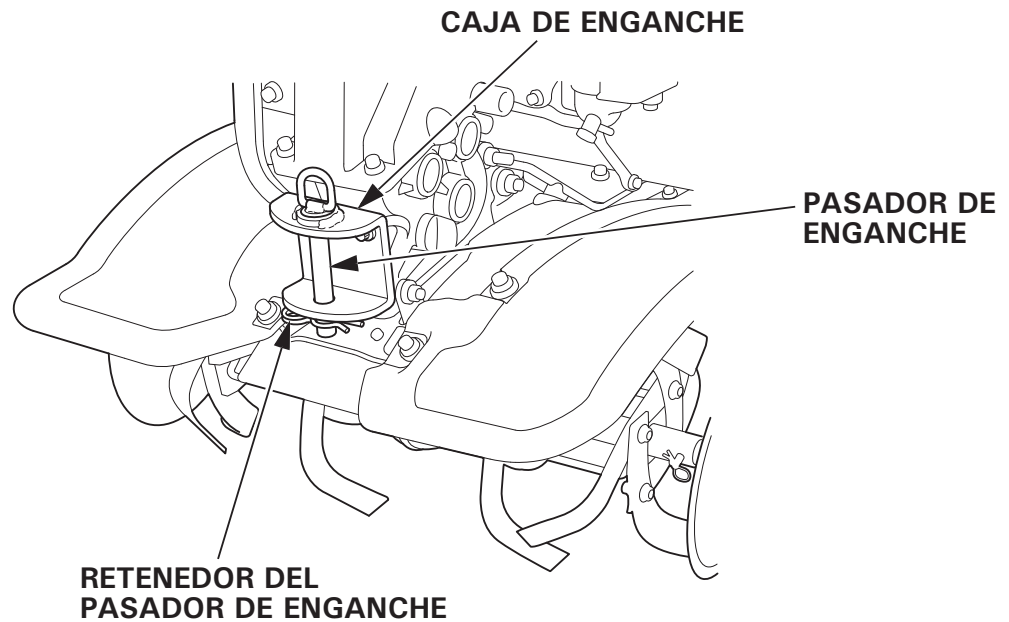


Tabla de selección de engranajes (cuando la velocidad del motor es de 3.600 rpm)

Posición de engranaje	Velocidad de la pieza giratoria		Tareas adecuadas
	SE, SER	DE, DER	
1	112,9 rpm	79,5 rpm	Trasladar la cultivadora, cargar la cultivadora a un camión, llevar o sacar la cultivadora del lugar de utilización.
2		112,9 rpm	Trasladar la cultivadora, cargar la cultivadora a un camión, llevar o sacar la cultivadora del lugar de utilización.
Marcha atrás	28,0 rpm	28,0 rpm	Trasladar la cultivadora

## 6. Uso de la caja de remolque

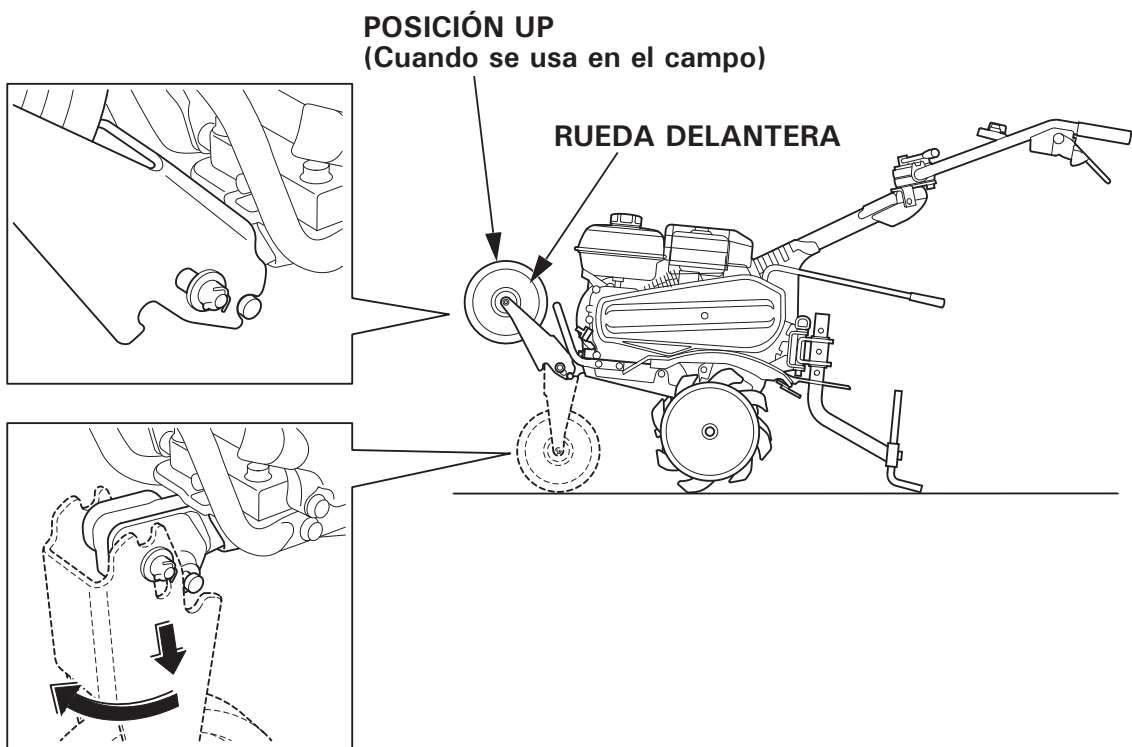
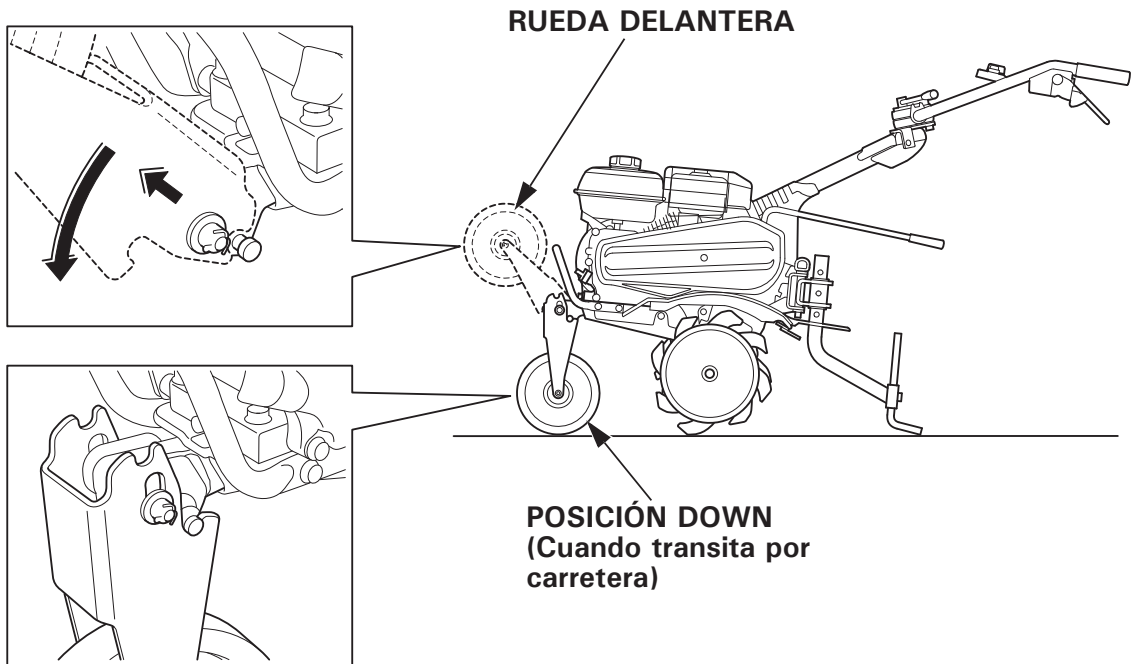
Instale el accesorio de enganche en la caja de enganche con un pasador de enganche. (El retenedor del pasador de enganche se acopla en el pasador de enganche para retener el pasador.)



## 7. Rueda delantera (tipos DE y DER)

Después de llegar al lugar de segar, mueva la rueda delantera a la posición elevada antes de segar. Pare siempre el motor antes de bajar o de elevar el conjunto de la rueda.

Para elevar o bajar la rueda, saque el conjunto de la rueda, mueva la rueda, y libere entonces el conjunto de la rueda.



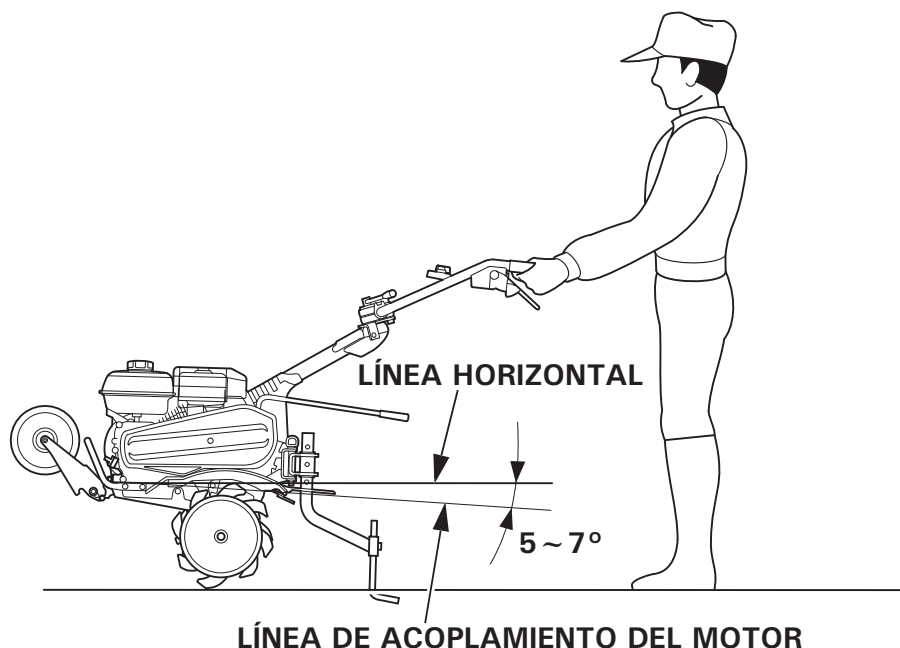
---

## 8. Consejos sobre la manipulación

- Si la cultivadora tiende a moverse hacia delante con rapidez, empuje hacia abajo el manillar para que la barra de tracción pueda penetrar en la tierra y aminorar el movimiento hacia delante. Siga empujando hacia abajo hasta que las púas de la cultivadora hayan penetrado la profundidad deseada que permita manipular con facilidad la cultivadora.
- Si las púas penetran pero la cultivadora no se mueve hacia delante, no empuje tanto el manillar y muévelo de un lado al otro. Si la cultivadora todavía está penetrando la tierra pero no se mueve hacia delante, levante un orificio la barra de tracción.
- Para girar, empuje el manillar para poner el peso de la cultivadora hacia atrás; de este modo se podrá girar con más facilidad.

## 9. Ángulo de funcionamiento normal

Baje un poco el manillar de modo que la parte frontal de la maquina se eleve unos 5-7°.



Para aprovechar al máximo las ventajas de la cultivadora, intente sostener la máquina al ángulo mostrado mientras opera la cultivadora sobre la tierra:

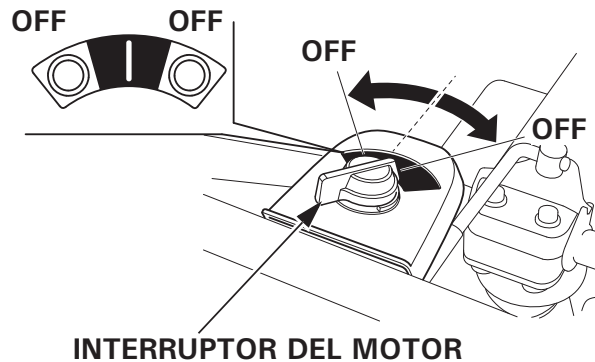
### PRECAUCIÓN:

- No emplee la cultivadora con un rotor cuyo diámetro sea mayor de 325 mm.
  - Si opera la cultivadora en cuestas, es posible que vuelque.
  - Si deja que alguien opere la cultivadora sin las instrucciones adecuadas puede dar como resultado en daños.
  - Póngase calzado completo y resistente. Si opera esta cultivadora descalzo o con calzado con los dedos al aire libre o sandalias se aumenta la posibilidad de producirse daños.
  - No emplee la cultivadora por la noche.
  - Cuando el rotor está obstruido con barro, guijarros, etc., pare inmediatamente el motor y limpie el rotor en un lugar seguro. Asegúrese de ponerse guantes fuertes cuando limpie el rotor.
- Para evitar daños, compruebe si hay algún signo de daños o averías en la cultivadora antes de usarla y después de haberla utilizado.

## 7. PARADA DEL MOTOR

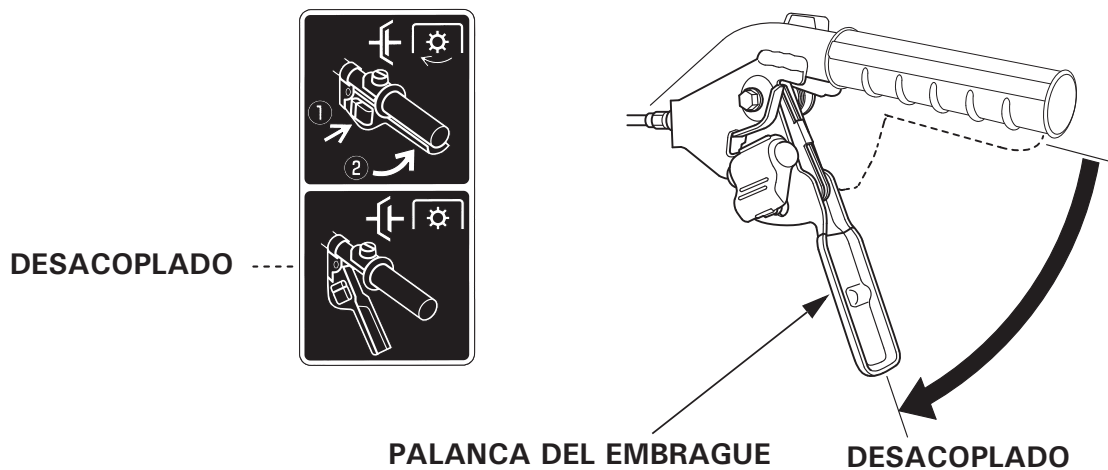
En un caso de emergencia:

- Gire el interruptor del motor a la posición OFF.

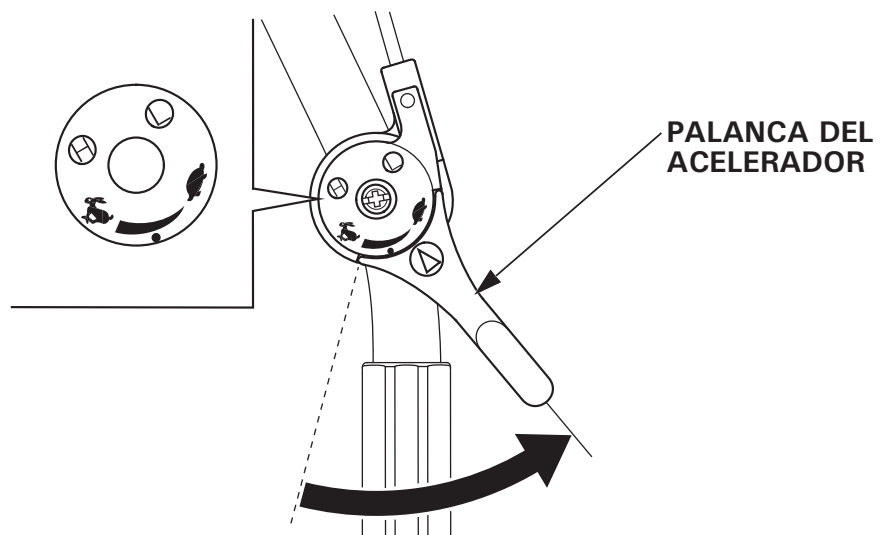


Para la utilización normal:

1. Suelte la palanca del embrague para dejarla en la posición DESACOPLADO.

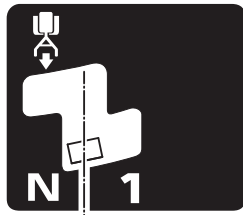


2. Mueva la palanca del acelerador completamente hacia la derecha.

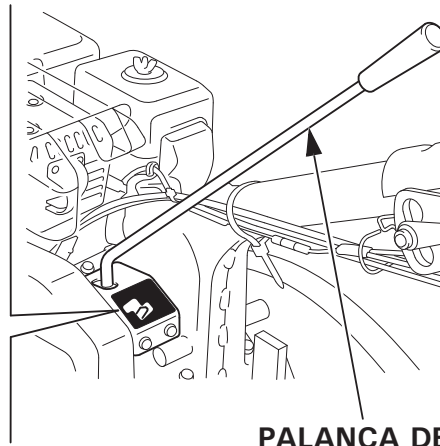


3. Ponga la palanca de cambios en la posición de PUNTO MUERTO.

Tipos SE y SER:

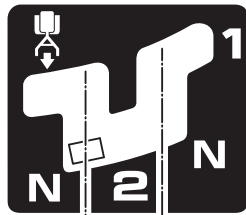


PUNTO MUERTO

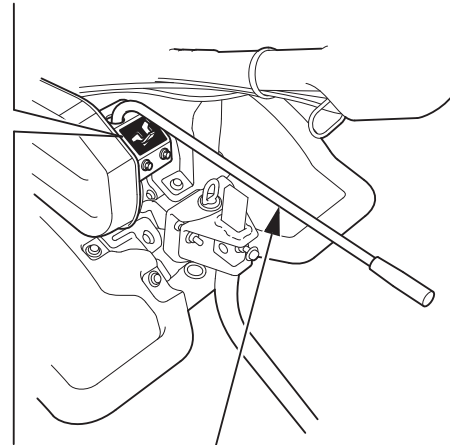


PALANCA DE CAMBIOS

Tipos DE y DER:

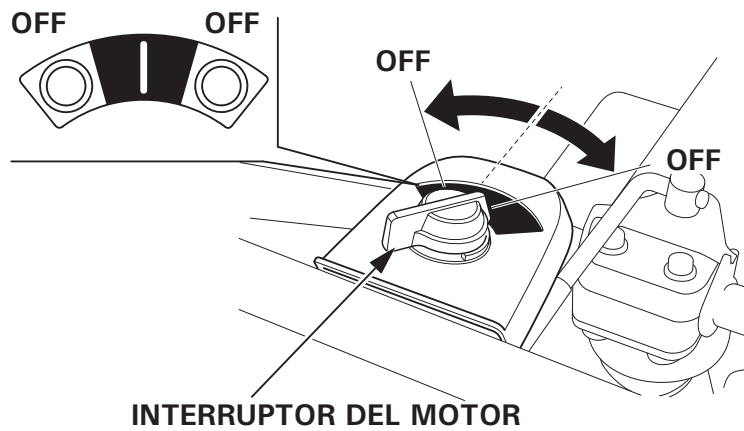


PUNTO MUERTO PUNTO MUERTO

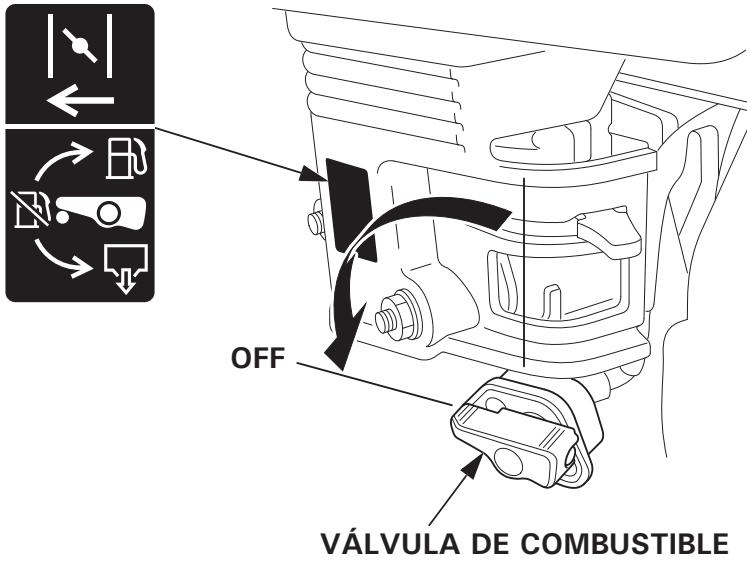


PALANCA DE CAMBIOS

4. Gire el interruptor del motor a la posición OFF.



5. Gire la válvula del combustible a la posición OFF.





## 8. MANTENIMIENTO

El propósito del programa de mantenimiento es el conservar la cultivadora en el mejor estado de funcionamiento. Inspeccione y realice el mantenimiento tal y como se indica en la tabla de abajo.

### ⚠ ADVERTENCIA

Apague el motor antes de realizar cualquier tarea de mantenimiento. Los gases de escape contienen gas de monóxido de carbono venenoso; la exposición a él puede ocasionar la pérdida del conocimiento y eventualmente la muerte. Si el motor ha de estar en marcha, asegúrese de que el área esté bien ventilada.

### PRECAUCIÓN:

Emplee sólo piezas originales Honda o sus equivalentes para el mantenimiento y reparación. Las partes de reemplazo que no son de una calidad equivalente pueden dañar la cultivadora.

### Programa de mantenimiento

PERÍODO DE MANTENIMIENTO REGULAR (1) Realizarlo cada mes o intervalo de horas de funcionamiento indicado (lo que primero ocurra).		Después del almacenamiento	Cada uso	Primer mes o 20 h	Cada 3 meses o 50 h	Cada 6 meses o 100 h	Cada año o 300 h
ELEMENTO							
Aceite de motor	Comprobar el nivel		o				
	Cambiar	o		o		o	
Aceite de la transmisión	Comprobar el nivel	o		o			o
Filtro de aire	Comprobar		o				
	Limpiar				o (2)		
	Sustituir						o
Exterior de la cultivadora	Comprobar		o				
Funcionamiento de la palanca del acelerador	Comprobar		o				
Funcionamiento de la palanca del embrague	Comprobar		o				
Aprietes de pernos y tuercas	Comprobar		o				
Cableado de la cultivadora	Comprobar		o				

(1) Para aplicaciones comerciales, registre las horas de funcionamiento para determinar los intervalos apropiados para el mantenimiento.

(2) Efectúe el mantenimiento cada 10 horas de funcionamiento o cada día cuando se emplee en lugares polvorientos.

PERÍODO DE MANTENIMIENTO REGULAR (1) Realizarlo cada mes o intervalo de horas de funcionamiento indicado (lo que primero ocurra).		Después del almacenamiento	Cada uso	Primer mes o 20 h	Cada 3 meses o 50 h	Cada 6 meses o 100 h	Cada año o 300 h
ELEMENTO							
Funcionamiento del motor	Comprobar		o				
Taza de sedimentos	Limpiar					o	
Bujía	Comprobar-ajustar Sustituir					o	
Aplicación de grasa	Lubricar con grasa	o (3)					o
Tensión de la correa	Comprobar-ajustar			o (3) (4)		o (3) (4)	
Cable del estrangulador	Comprobar-ajustar						o
Cable del embrague	Comprobar-ajustar			o (3)		o (3)	
Régimen de ralentí	Comprobar-ajustar						o (3)
Holgura de las válvulas	Comprobar-ajustar						o (3)
Cámara de combustión	Limpiar	Cada 500 h (3)					
Depósito y filtro de combustible	Limpiar	o (3)				o (3)	
Tubo de combustible	Comprobar	Cada 2 años (sustituir si es necesario) (3)					

(1) Para aplicaciones comerciales, registre las horas de funcionamiento para determinar los intervalos apropiados para el mantenimiento.

(3) El servicio de estos elementos deberá realizarlo su concesionario de servicio.

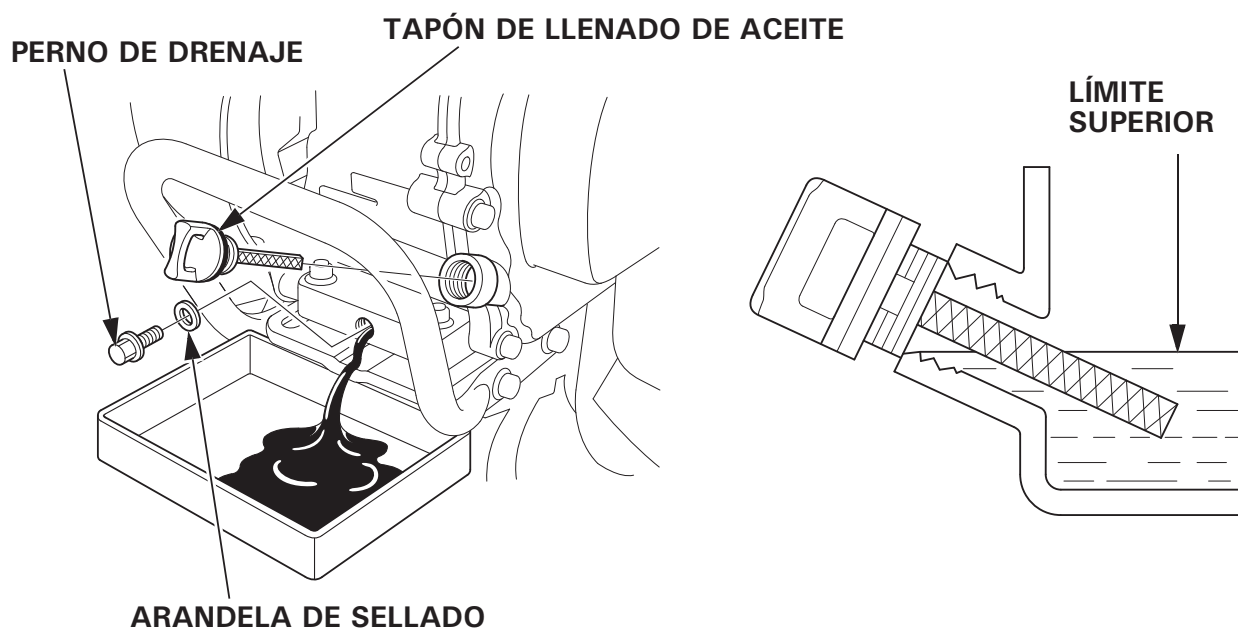
(4) Compruebe que no haya grietas ni desgaste anormal en la correa, y reemplácela si es necesario.

## 1. Cambio de aceite

Cambie el aceite cuando el motor esté caliente para asegurar un drenaje rápido y completo.

1. Ponga un recipiente adecuado debajo del motor para recibir el aceite usado, y extraiga el tapón de llenado de aceite, el perno de drenaje y la arandela de sellado.
2. Inclíne un poco el motor hacia adelante y deje que se drene todo el aceite.
3. Deje que todo el aceite usado se vacíe completamente y vuelva a colocar el perno de drenaje con una nueva arandela de sellado. Apriete bien el perno.
4. Llene con aceite del recomendado (vea la página 16) hasta el límite superior.
5. Vuelva a instalar el tapón de llenado de aceite.

**Capacidad de aceite:** 0,58 l



Lávese las manos con jabón y agua después de haber manipulado aceite usado.

### NOTA:

Descarte el aceite de motor usado de una manera que sea compatible con el medio ambiente. Sugerimos que lo lleve en un recipiente cerrado a su sitio de eliminación de residuos. No lo tire en el recipiente de basura, ni lo vierta en la tierra, alcantarillas o drenajes.

## 2. Mantenimiento del filtro de aire

Si el filtro de aire está sucio, se restringirá el flujo de aire al carburador. Para evitar el mal funcionamiento del carburador, realice el servicio del filtro de aire con regularidad. Realice el servicio con mayor frecuencia cuando opere el motor en lugares muy polvorientos.

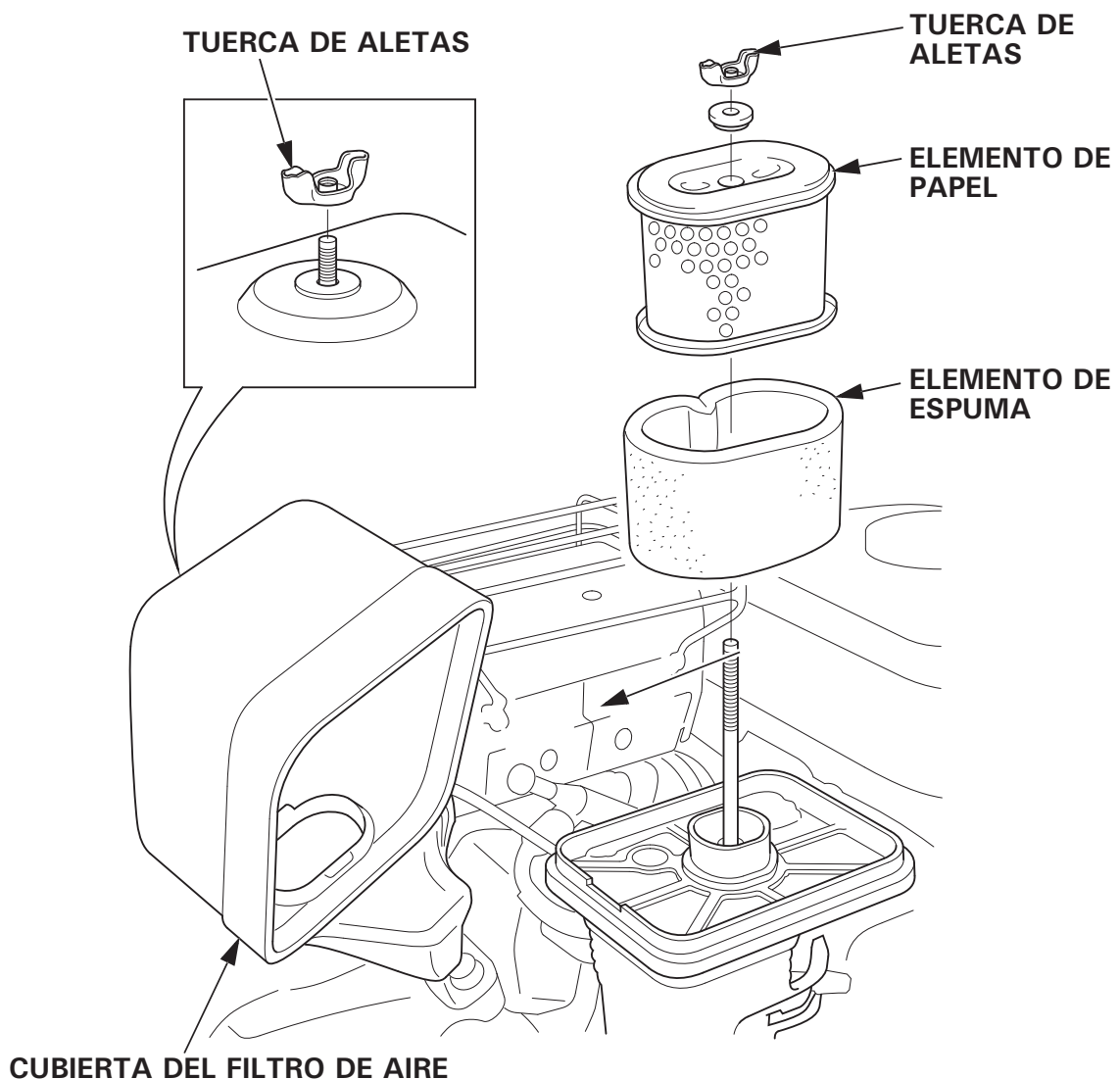
### ⚠ ADVERTENCIA

Nunca utilice gasolina ni disolventes con un punto de inflamación bajo para limpiar el elemento del filtro del aire. Podría producirse un incendio o una explosión.

### PRECAUCIÓN:

No ponga nunca en marcha el motor sin el filtro de aire. Esto producirá un desgaste rápido del motor.

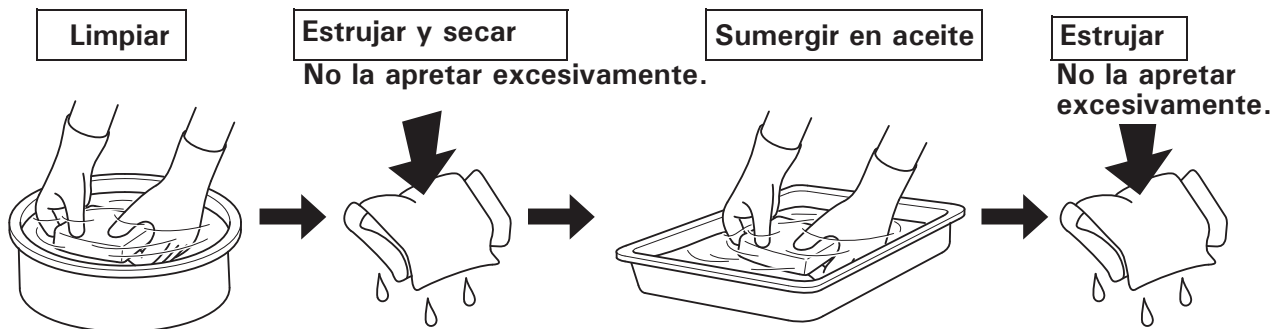
1. Quitar la tuerca de mariposa y la tapa del filtro de aire. Extraiga los elementos y sepárelos. Compruebe con cuidado ambos elementos para ver si tienen agujeros o daños y reemplácelos si están dañados.



2. Limpie ambos elementos del filtro si va a reutilizarlos.

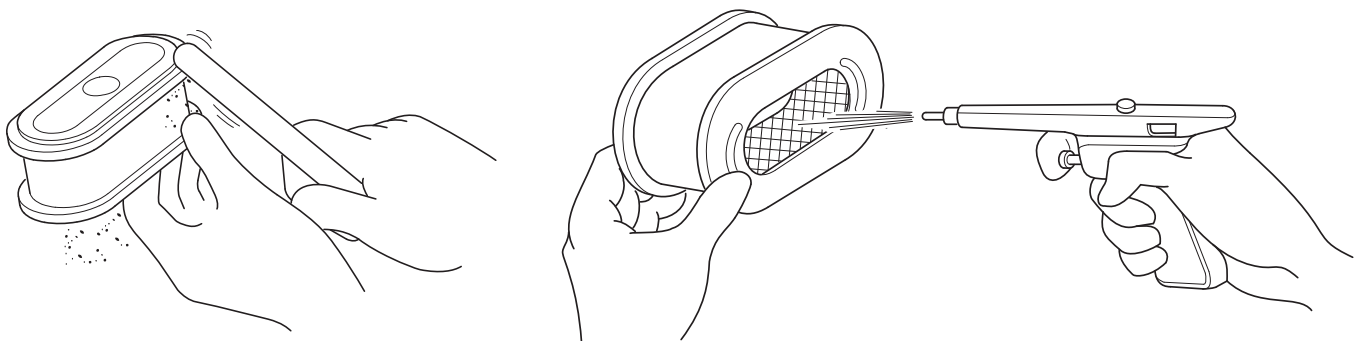
### Elemento de espuma:

Limpie con agua jabonosa caliente, aclare y deje que se seque por completo. O limpie con disolvente con un punto de inflamación alto y deje que se seque. Sumergir el elemento en aceite de motor limpio y estrújelo para eliminar el exceso de aceite. El motor echará humo durante la puesta en marcha inicial si la espuma tuviese demasiado aceite.



### Elemento de papel:

Golpee ligeramente el elemento varias veces en una superficie dura para quitar la suciedad excesiva, o aplique aire comprimido a través del filtro desde el interior hacia el exterior. No trate de cepillar la suciedad; el cepillado introduciría la suciedad en las fibras. Sustituya el elemento de papel si está muy sucio.



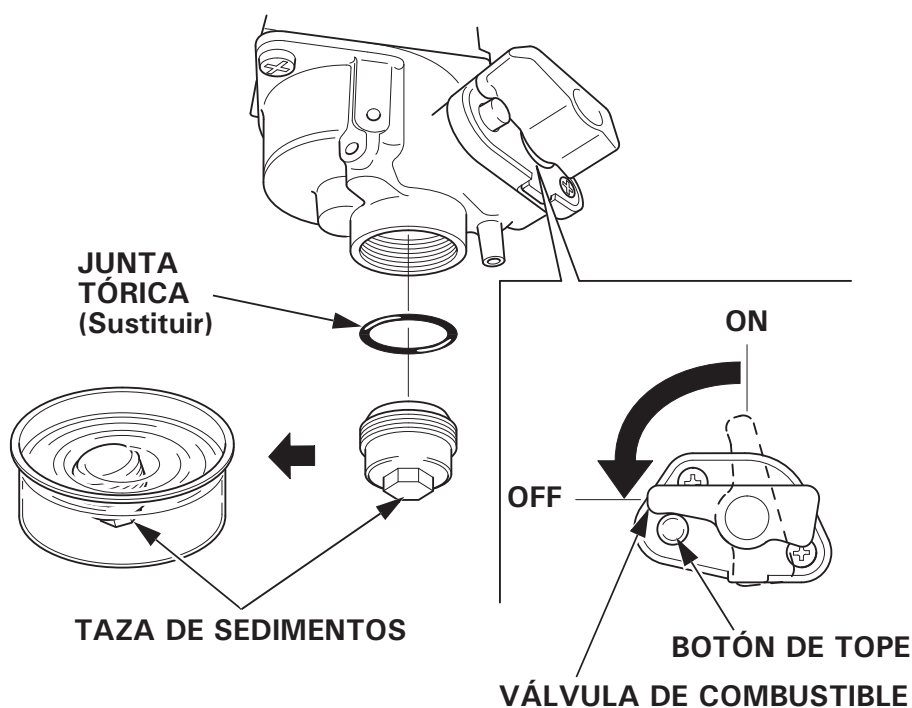
3. Instale con seguridad los elementos y la cubierta del filtro de aire.

### 3. Limpieza de la taza de sedimentos

#### **⚠ ADVERTENCIA**

La gasolina es altamente inflamable y explosiva bajo ciertas condiciones. No fume ni permita que se produzcan llamas ni chispas en el lugar.

1. Gire el interruptor del motor a la posición OFF.
2. Ponga la válvula de combustible en posición OFF, de modo que toque el botón de tope.
3. Afloje la tuerca de anillo y desmonte la copa de filtro con una llave de 10 mm.
4. Vacíe la taza de sedimentos y lávela con disolvente no inflamable.
5. Monte una nueva junta tórica y la taza de sedimentos. Apriete con seguridad la taza de sedimentos.
6. Ponga la válvula del combustible en la posición ON y vea si hay fugas.



## 4. Mantenimiento de la bujía

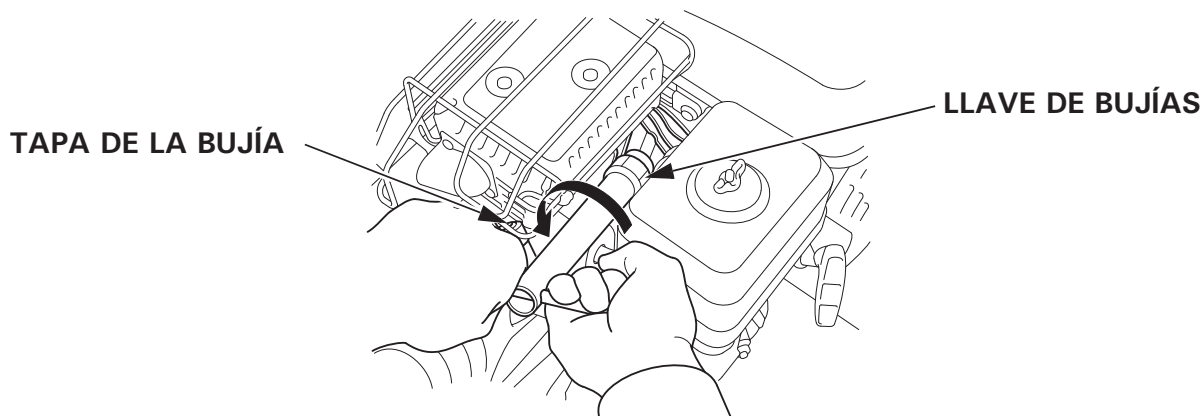
**Bujía recomendada:** BPR5ES (NGK)  
W16EPR-U (DENSO)

Para asegurar la operación correcta del motor, las bujías deben tener el huelgo apropiado y estar exentas de acumulaciones.

1. Extraiga la tapa de la bujía.  
Utilice un llave de bujías para extraer la tapa.

### ⚠ ADVERTENCIA

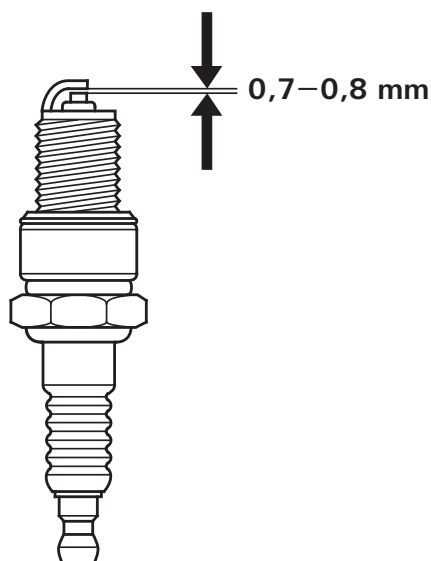
Si el motor hubiese estado funcionando, el silenciador estará muy caliente. Tenga cuidado de no tocar el silenciador.



2. Inspeccione visualmente la bujía. Deséchela si el aislador estuviese rajado o astillado. Limpie la bujía con un cepillo de alambre si esta volviese a utilizarse otra vez.

3. Mida la separación entre electrodos con una galga de espesores. Corrija la separación, si fuese necesario, doblando el electrodo lateral.

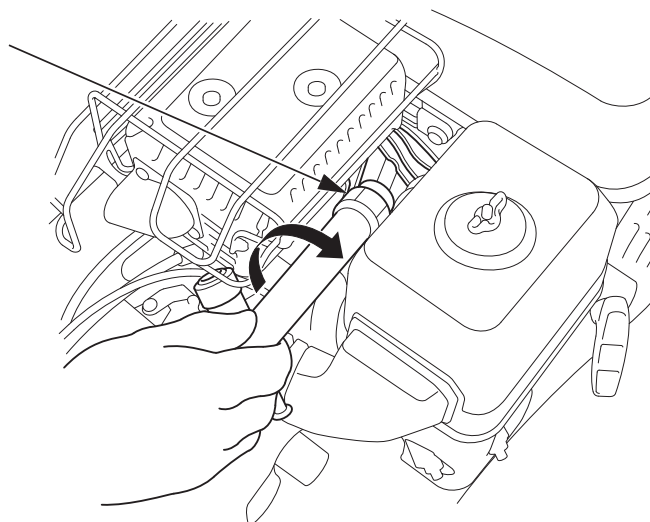
El huelgo deberá ser:  
0,7–0,8 mm



---

4. Compruebe que la arandela de la bujía esté en buen estado y rosque la bujía con la mano para evitar dañar las roscas.

LLAVE DE BUJÍAS



5. Después de haber sentado la bujía, apriétela con una llave de bujías para comprimir la arandela.

**NOTA:**

Si la bujía es nueva, apriétela 1/2 vuelta con la llave de bujías. Si se trata de una bujía ya usada, bastará solamente con 1/8-1/4 de vuelta.

**PRECAUCIÓN:**

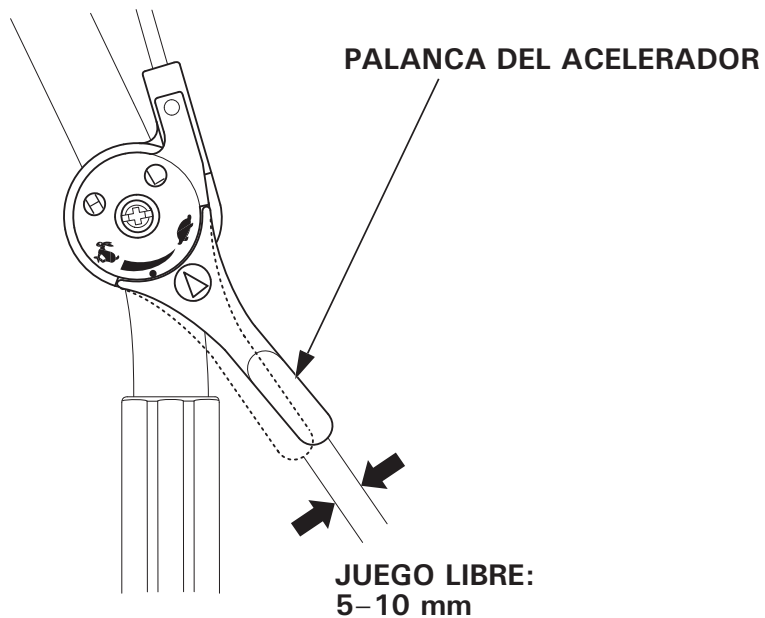
**La bujía debe estar firmemente apretada. Si la bujía estuviese mal apretada, esta se calentará excesivamente pudiendo dañar el motor. No emplee nunca una bujía que sea de un margen térmico inadecuado.**



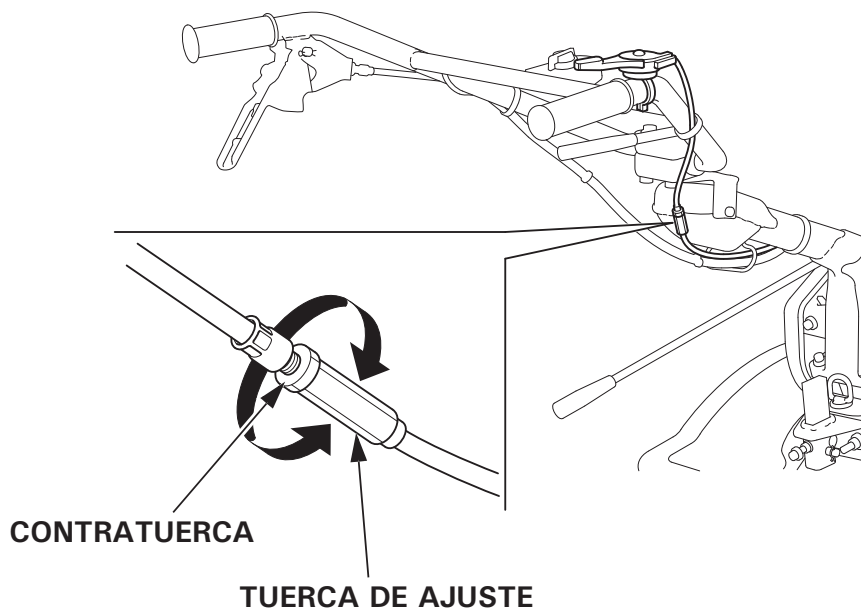
## 5. Ajuste del cable del acelerador

Mida el juego libre en el extremo de la palanca.

Juego libre: 5–10 mm



Si el juego libre no fuese correcto, afloje la contratuerca y gire la tuerca de ajuste hacia adentro o hacia fuera según fuese necesario.

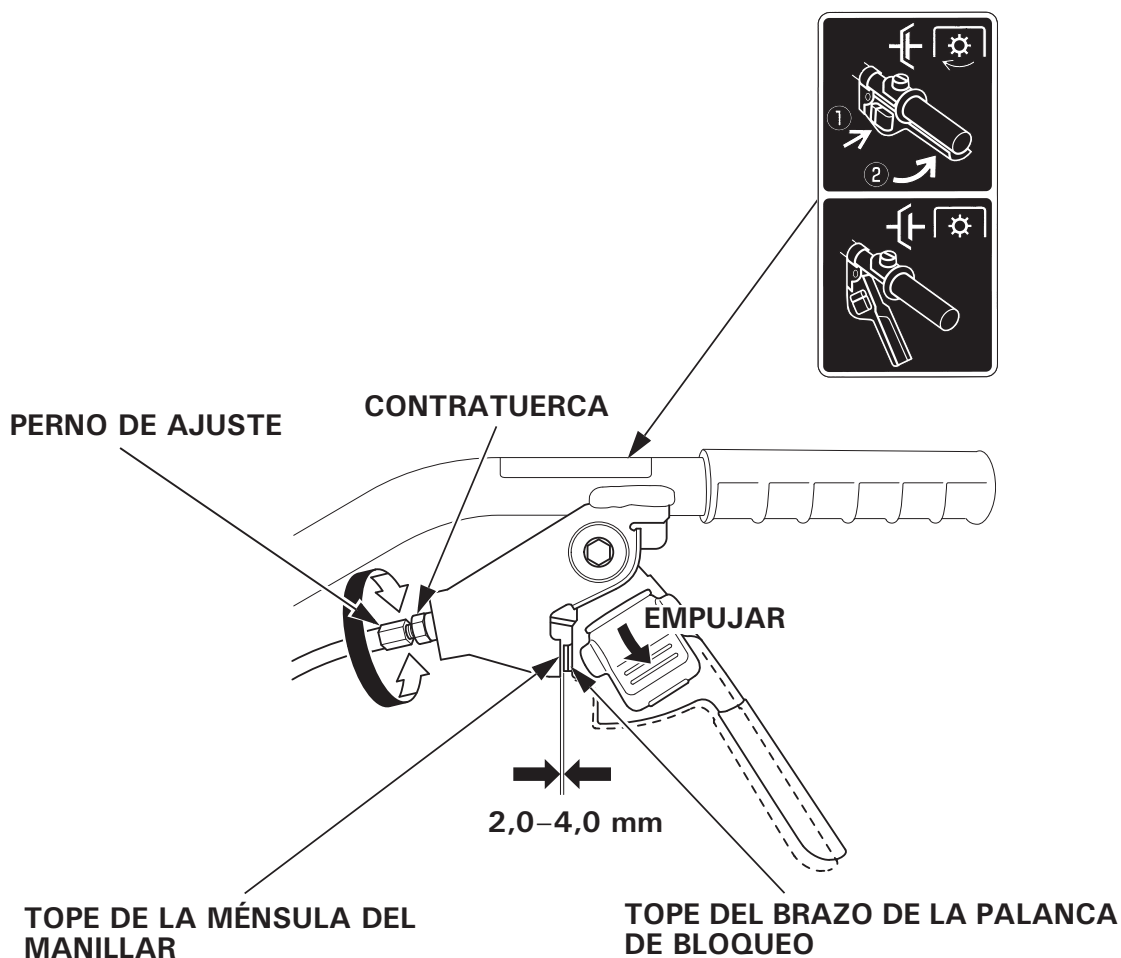


## 6. Ajuste del cable del embrague

Con el embrague desacoplado, mida el juego libre entre el tope de la ménsula del manillar y el tope del brazo de la palanca de bloqueo.

Juego libre: 2,0-4,0 mm

Si el juego libre no fuese correcto, afloje la contratuerca y gire la tuerca de ajuste hacia adentro o hacia fuera según fuese necesario. Una vez efectuado el ajuste, apriete firmemente la contratuerca.



## 7. Limpieza de la palanca del embrague

Si la palanca de bloqueo y la palanca del embrague no funcionan con suavidad, o si el embrague se acopla apretando la palanca del embrague sin empujar la palanca de bloqueo, desmonte y limpie la palanca del embrague.

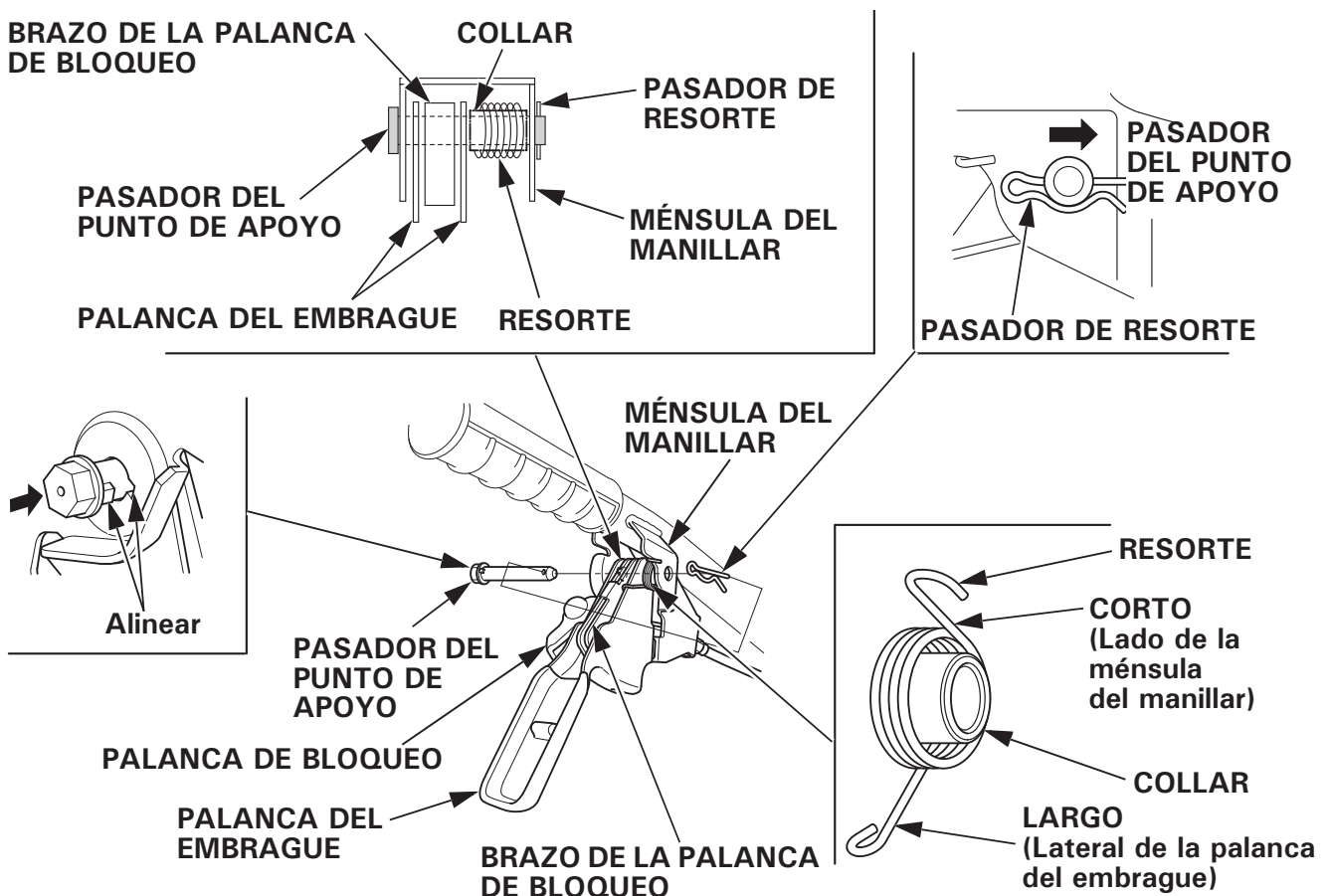
### NOTA:

Tenga cuidado con el resorte y el collar que salen al desmontar la palanca del embrague. El resorte y el collar están situados entre el lado derecho de la palanca del embrague y la ménsula del manillar.

1. Extraiga el pasador de resorte del pasador del punto de apoyo de la palanca.
2. Extraiga el pasador del punto de apoyo de la palanca mientras sujeta la palanca del embrague, el resorte y el collar.  
Separe la palanca del embrague, el resorte y el collar.
3. Quite la suciedad y los objetos extraños.  
Frote y limpie el punto de apoyo de la palanca del embrague y del brazo de la palanca de bloqueo.

### NOTA:

No aplique ningún tipo de aceite o líquido de limpieza a la palanca del embrague, palanca de bloqueo y brazo de la palanca de bloqueo. El aceite o el líquido de limpieza harán que se adhieran suciedad y objetos extraños.



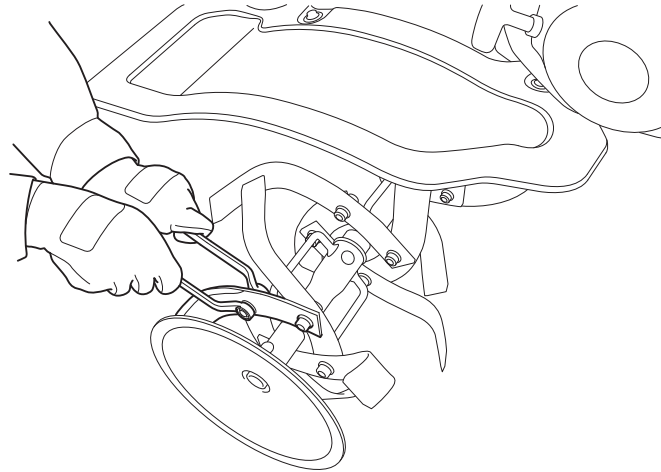
- 
4. Monte el collar en el resorte, y colóquelos entre el lado derecho de la palanca del embrague y la ménsula del manillar (vea la página 50). Con el resorte y el collar colocados en esta posición, introduzca el pasador del punto de apoyo de la palanca.
  5. Alinee el saliente del pasador del punto de apoyo de la palanca con la ranura del lado del orificio de la ménsula del manillar y luego coloque el pasador de resorte en la dirección indicada en la ilustración (vea la página 50).
  6. Compruebe que la palanca de bloqueo y la palanca del embrague funcionen con suavidad. Si la palanca de bloqueo y la palanca del embrague no funcionan con suavidad, o si el embrague se acopla apretando la palanca del embrague sin empujar la palanca de bloqueo, lleve la cultivadora a un concesionario Honda autorizado.

---

## 8. Inspección y sustitución de púas giratorias (tipos SER y DER)

### **⚠ ADVERTENCIA**

- Póngase guantes gruesos para protegerse las manos.
- Lleve a cabo la comprobación o el reemplazo con la segadora en una superficie nivelada y con el motor parado. Desconecte la tapa de la bujía para evitar un arranque accidental.



Antes de comenzar ninguna tarea de comprobación o sustitución, coloque la rueda delantera (tipo DER) en posición DOWN (vea la página 34) y coloque la cultivadora sobre terreno firme y plano, de forma que no se mueva.

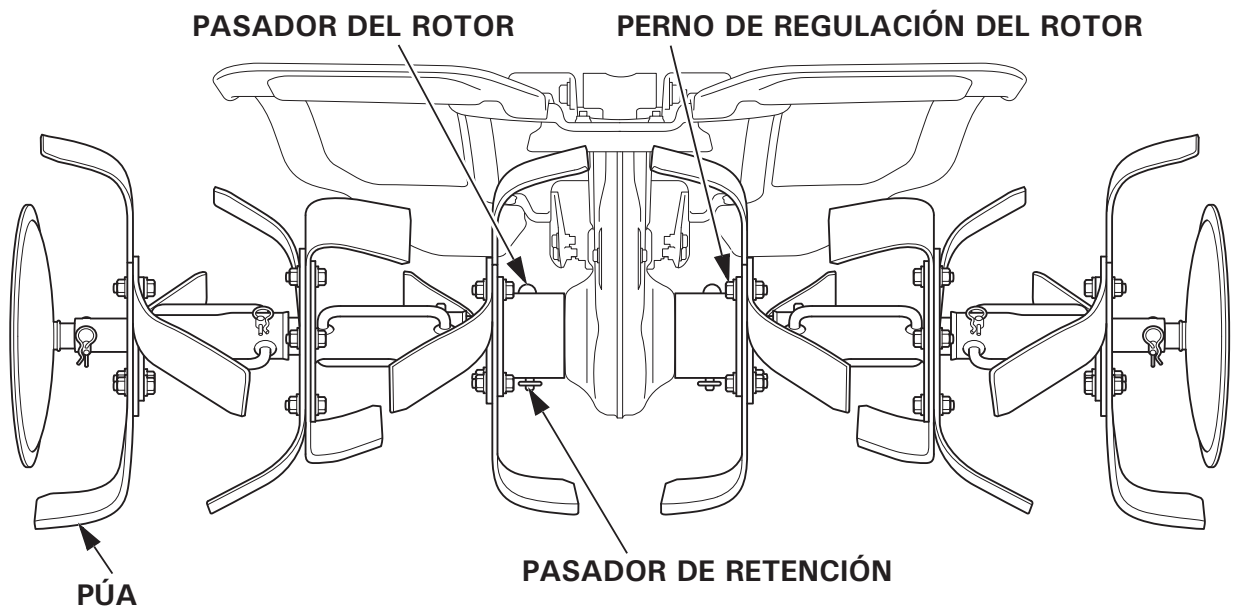
Gire la válvula del combustible a la posición OFF.

## Inspección:

1. Compruebe si hay púas dañadas, dobladas o flojas. Si se encuentra alguna anomalía, apriete o reemplace las piezas dañadas.
2. Compruebe si el perno de regulación del rotor está suelto y apriételo si es necesario.
3. Compruebe si hay daños o falta alguna púa giratoria o pasador de retención y sustitúyalos por piezas nuevas si es necesario (vea las páginas 56 y 57)

### NOTA:

Utilice recambios originales Honda o equivalentes al sustituir las púas del rotor.

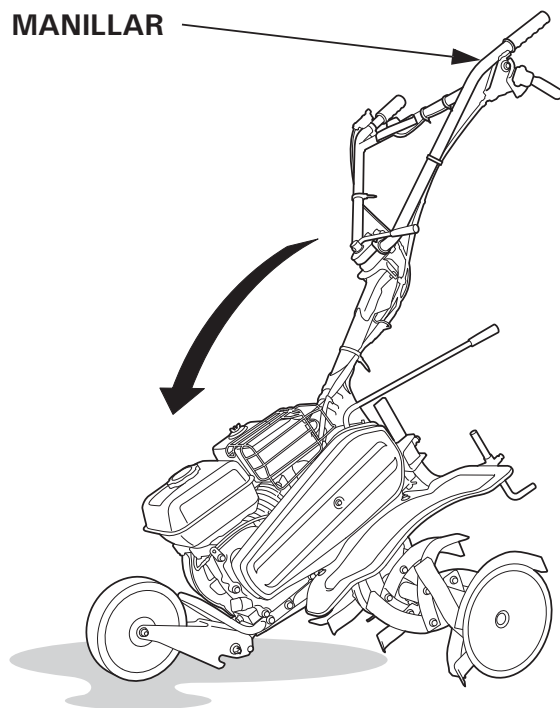


## Desmontaje del rotor y disco lateral:

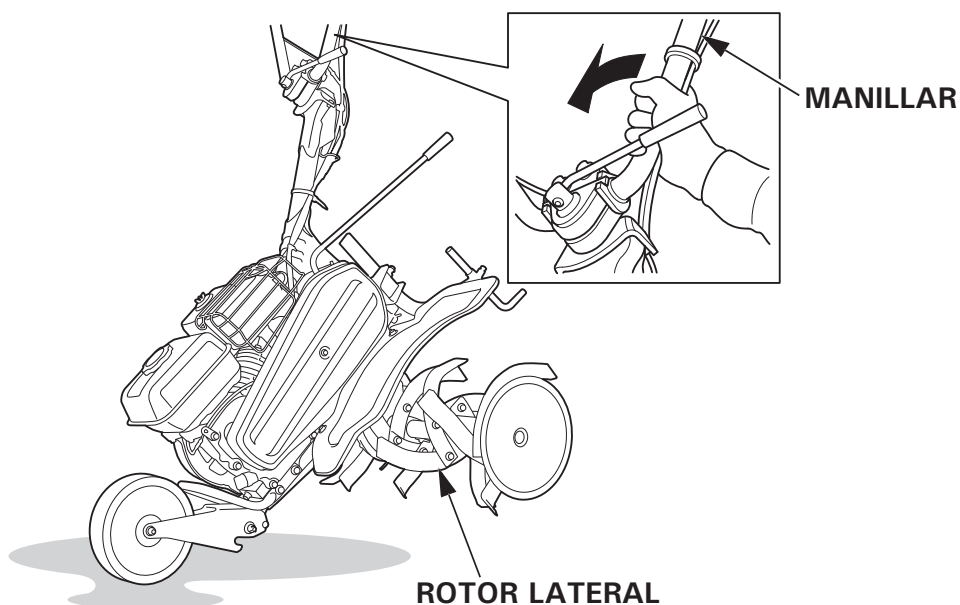
- Tipo DER:

Ajuste la rueda delantera en posición UP (vea la página 34).

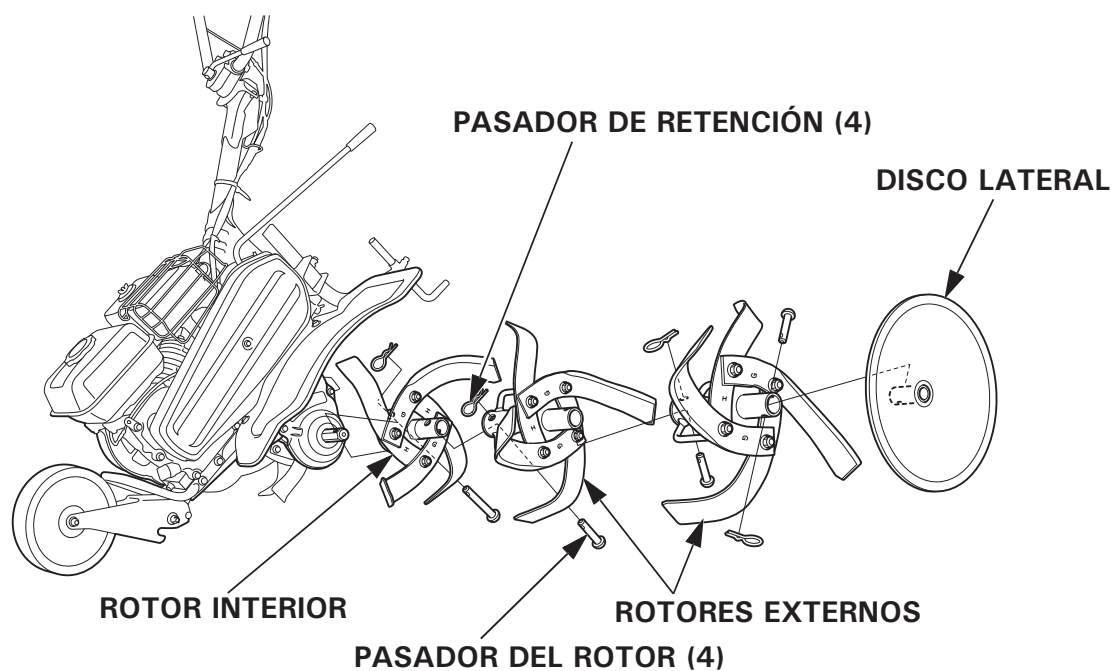
1. Tire hacia arriba del manillar sujetándolo de modo que la rueda delantera (tipo DER) o el extremo delantero de la cultivadora estén en contacto con el suelo.



2. Agarre el manillar y empújelo en la dirección de la flecha para levantar del suelo el rotor más cercano. Manténgalo en esta posición. No tire de los cables mientras agarra el manillar. Preste atención al inclinar la cultivadora. La gasolina podría rebosar si el ángulo de inclinación es mayor de lo necesario.



3. Retire los pasadores de retención y los pasadores del rotor y a continuación retire el disco lateral y los rotores externos.
4. Retire el pasador de retención y el pasador del rotor y a continuación retire el rotor interior.
5. El rotor lateral/disco lateral contrario es similar.



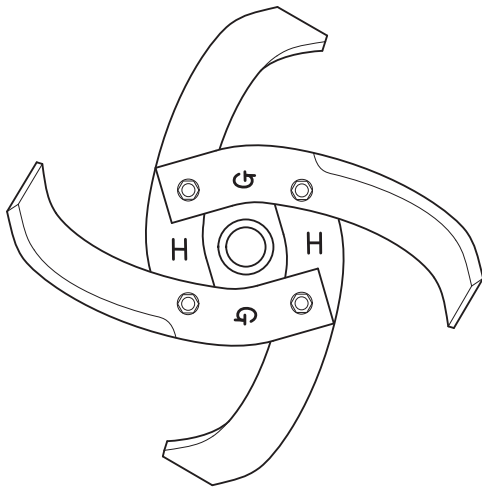


## Instalación del rotor y disco lateral:

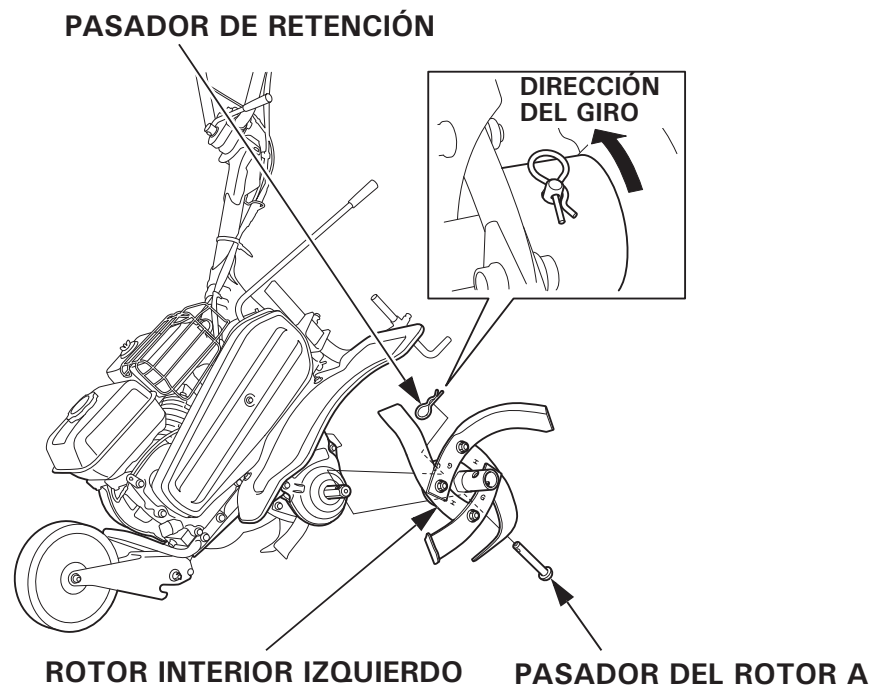
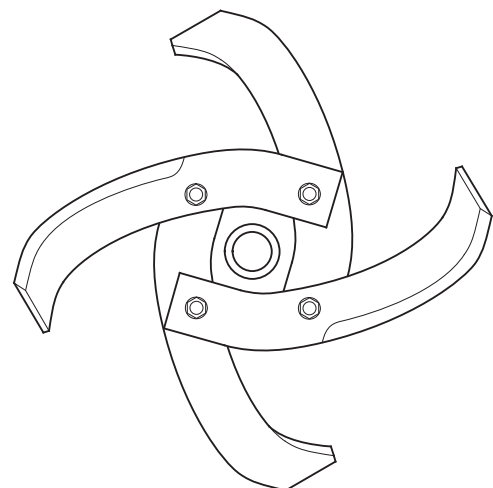
1. Instale el rotor interior en el eje.

- Quedan visibles las marcas "G" y "H" del lado izquierdo del rotor interior.
- Quedan invisibles las marcas "G" y "H" del lado derecho del rotor interior.

**ROTOR INTERIOR IZQUIERDO**  
(Visto desde el lado del rotor exterior)

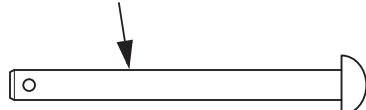


**ROTOR INTERIOR DERECHO**  
(Visto desde el lado del rotor exterior)

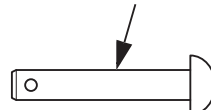


2. Inserte el pasador del rotor A y coloque el pasador de retención.

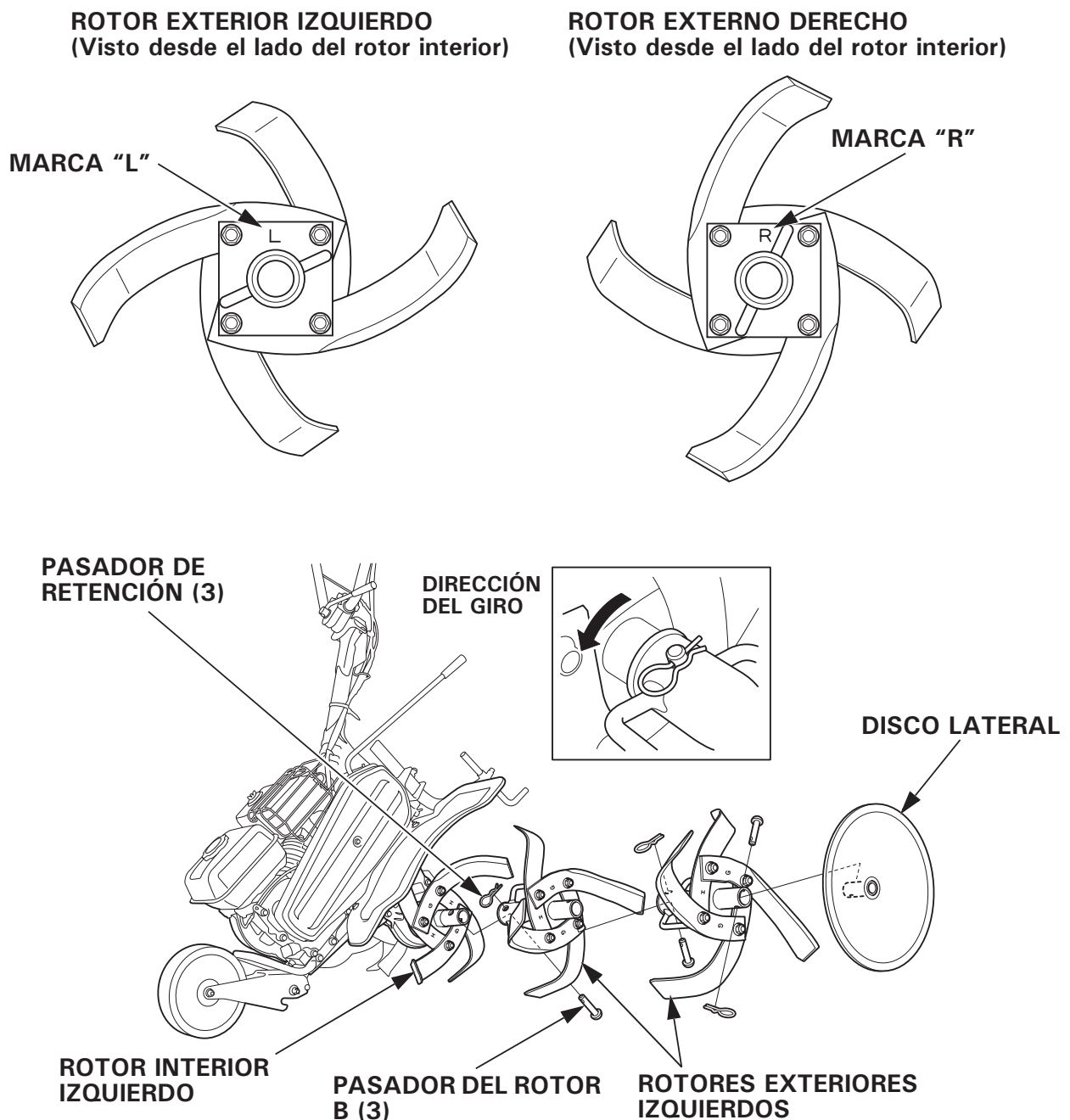
**PASADOR DEL ROTOR A (LARGO)**



**PASADOR DEL ROTOR B (CORTO)**



3. Instale los rotores externos con la marca "R" (rotor derecho) o "L" (rotor izquierdo) hacia el rotor interior, según se indica.
4. Inserte los pasadores del rotor A y B y coloque los pasadores de retención.
5. Instale el disco lateral y a continuación inserte el pasador del rotor B y coloque el pasador de retención.
6. El rotor lateral/disco lateral contrario es similar.



## Instalación de las púas:

Instale las púas correctamente.

Una colocación incorrecta de las púas o en la dirección equivocada provocará vibraciones e impedirá inclinar adecuadamente la cultivadora.

Se incluyen dos tipos de púas (G y H). La púa G tiene la marca "G" en el lateral y la púa H tiene la marca "H".

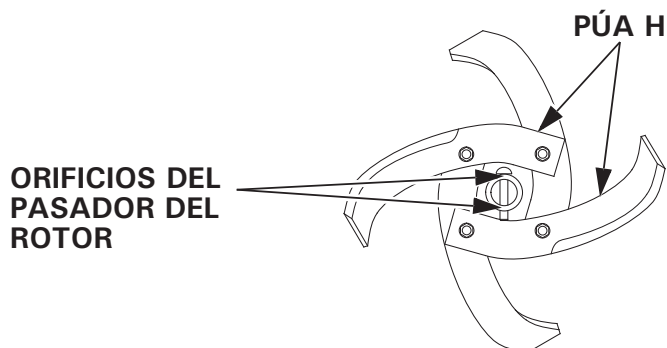


### • Lado derecho:

Instale las púas del rotor externo del lado derecho y las púas del rotor interior con la marca "G" y "H" hacia la caja de engranajes.

(Las marcas "G" y "H" no son visibles desde el exterior.)

La marca "H" deberá quedar alineada con los orificios de las púas del rotor.



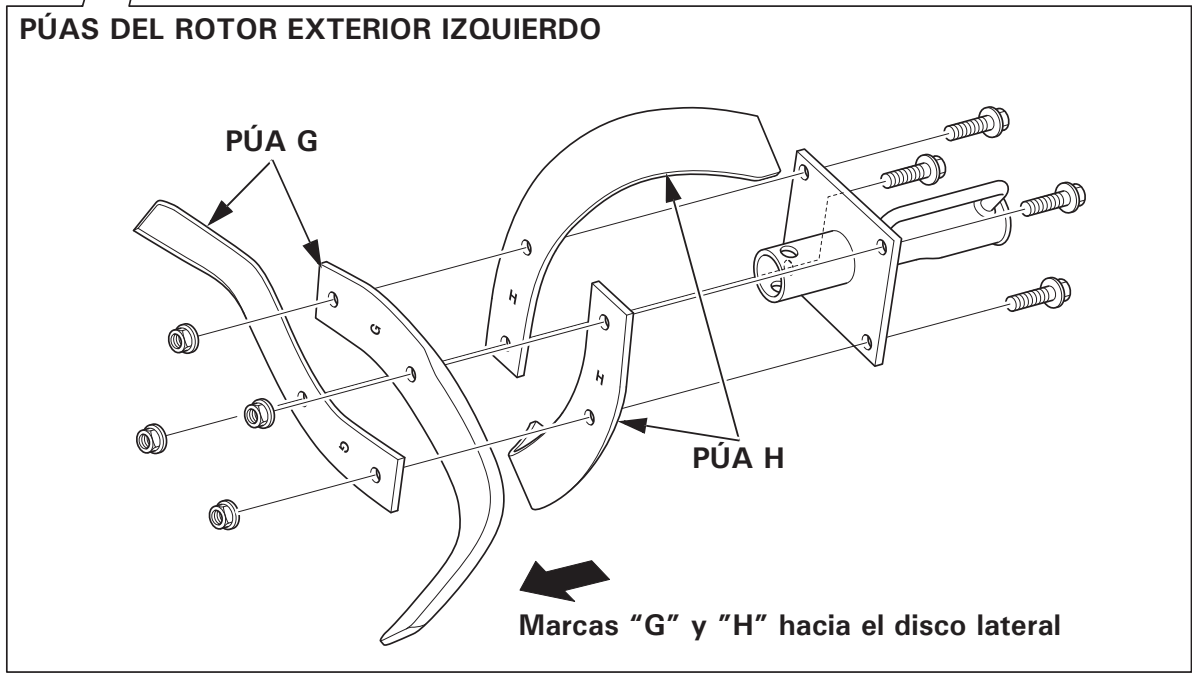
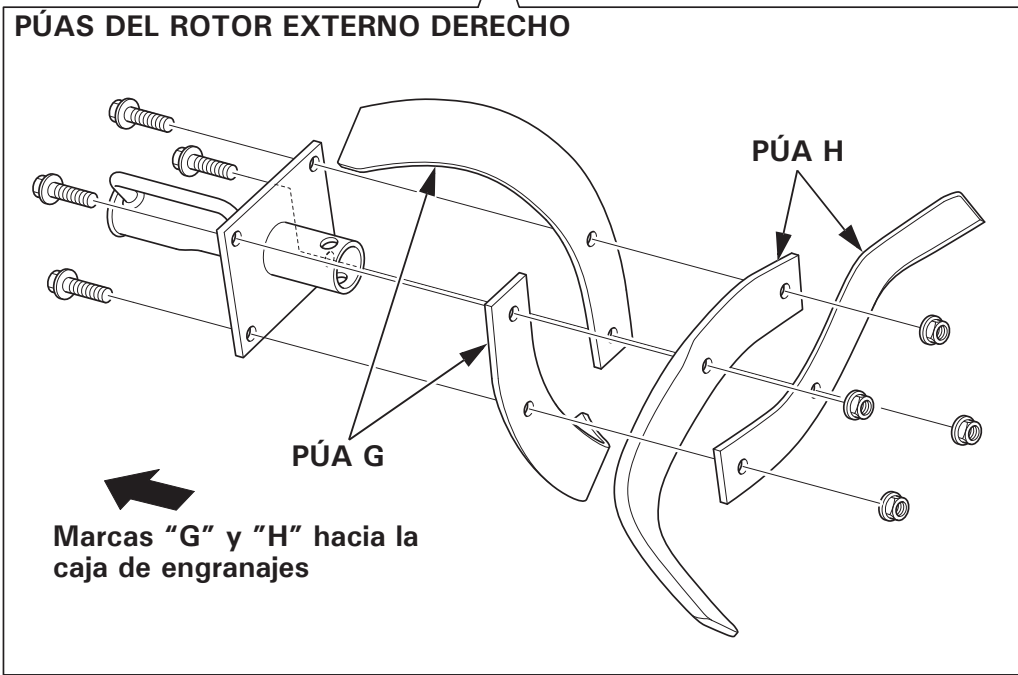
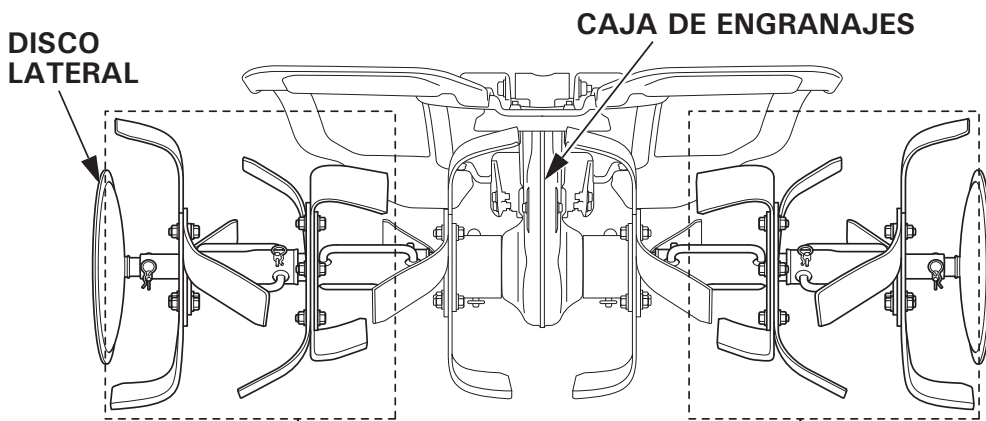
### • Lado izquierdo:

Instale las púas del rotor externo del lado izquierdo y las púas del rotor interior con la marca "G" y "H" hacia el disco lateral.

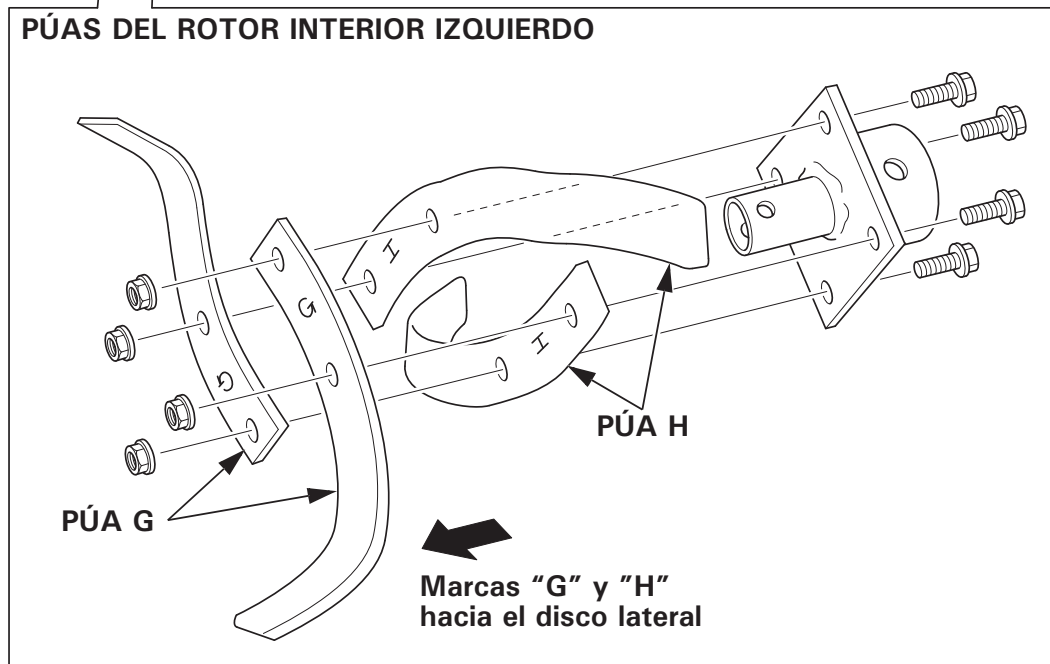
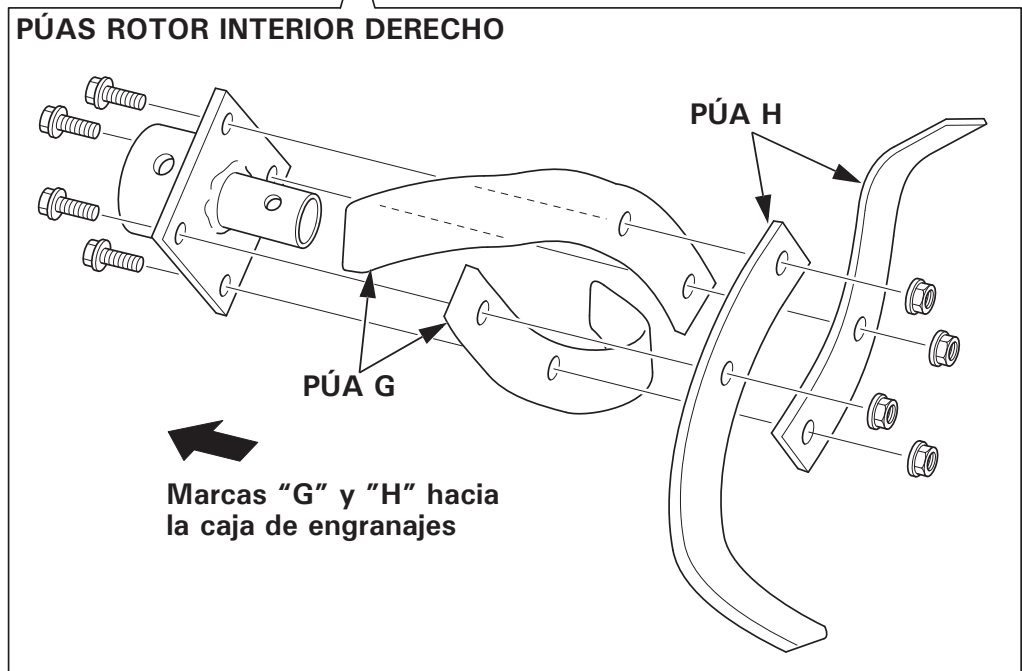
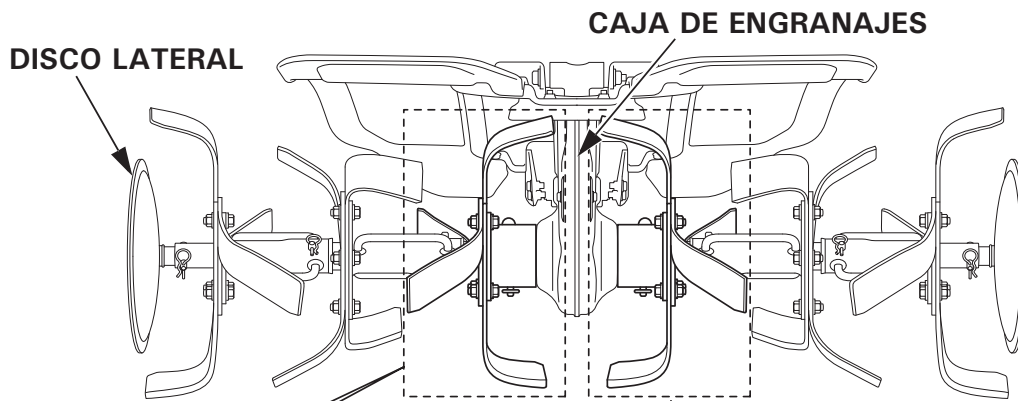
La marca "G" deberá quedar alineada con los orificios de las púas del rotor.



• Púas del rotor externas



• Púas del rotor interior



## 9. TRANSPORTE/ALMACENAMIENTO

### ⚠ ADVERTENCIA

Cuando transporte la cultivadora, gire la válvula de combustible a la posición de CIERRE y mantenga la cultivadora nivelada para evitar derrames de combustible. El vapor o los derrames de combustible pueden encenderse.

Antes de guardar la unidad durante períodos prolongados:

1. Asegúrese de que el lugar de almacenaje esté exento de humedad y polvo excesivos.
2. Drenaje de combustible:

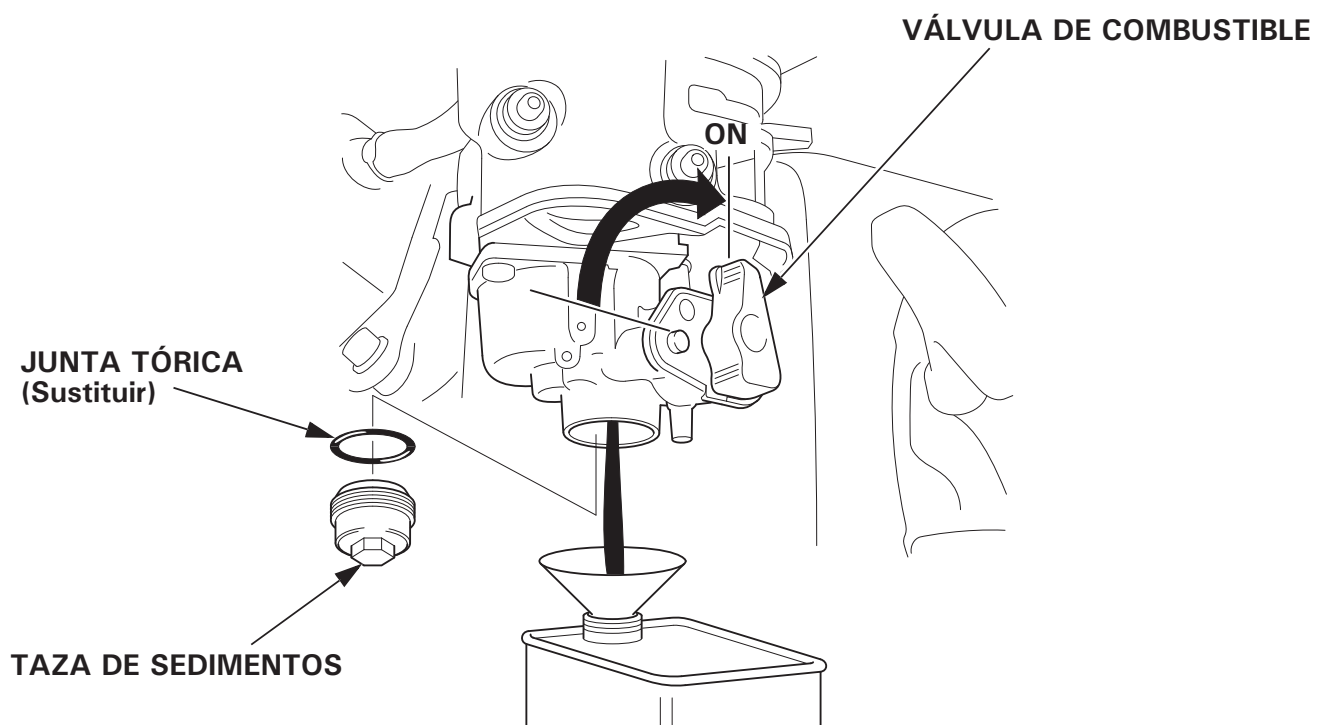
### ⚠ ADVERTENCIA

La gasolina es altamente inflamable y explosiva bajo ciertas condiciones. No fume ni permita la presencia de fuego ni chispas cerca del equipo mientras drena el combustible.

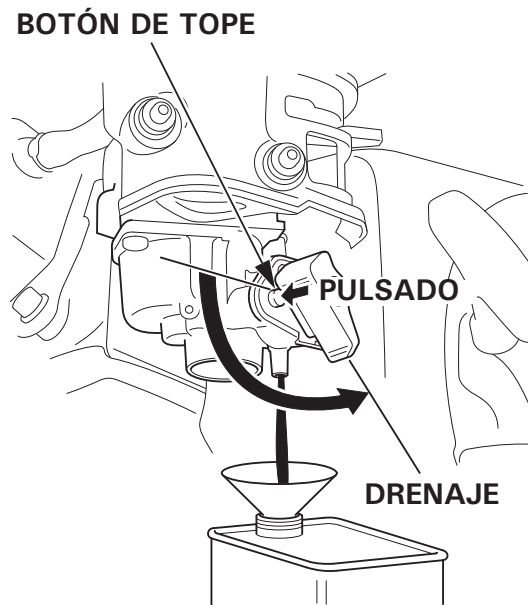
- a. Ponga un recipiente de gasolina homologado debajo del carburador, y emplee un embudo para evitar el derrame de combustible.

Para vaciar la gasolina del carburador solo, coloque un contenedor adecuado bajo el carburador y siga los procedimientos "e." y "f.".

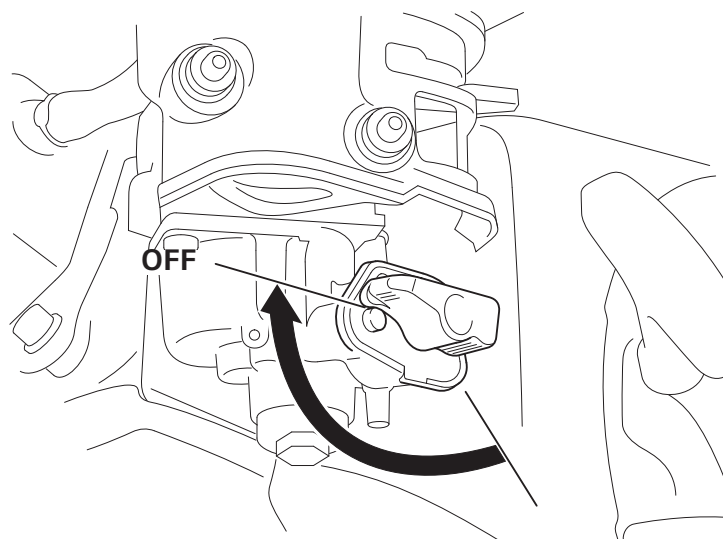
- b. Afloje la tuerca de anillo y desmonte la copa de filtro.
- c. Gire la válvula de combustible a la posición ON. Drene la gasolina en un recipiente apropiado.



- d. Deje que se vacíe por completo de gasolina y ponga la válvula de combustible en posición OFF.
- e. Ponga la válvula de combustible en posición DRAIN manteniendo pulsado el botón de tope. Drene la gasolina en un recipiente apropiado.



- f. Deje que la gasolina se vacíe por completo. Ponga la válvula de combustible de nuevo en posición OFF, de modo que toque el botón de tope.



- g. Vuelva a instalar una nueva junta tórica y la taza de sedimentos. Apriete con seguridad la taza de sedimentos.

---

3. Tire de la empuñadura del arrancador hasta que note resistencia. Siga tirando hasta que la muesca de la polea del arrancador se alinee con el orificio del arrancador de retroceso.

En este punto, las válvulas de admisión y de escape están cerradas, lo que ayuda a proteger el motor contra corrosión interna.

4. Cambie el aceite del motor.

5. Cubra la cultivadora con una lámina de plástico.

No ponga la cultivadora con el manillar sobre el suelo. El aceite entraría en el cilindro o podría derramarse el combustible.



# 10. LOCALIZACIÓN DE AVERÍAS

---

Cuando no arranca el motor:

1. ¿Hay suficiente combustible?
2. ¿Está la válvula de combustible en la posición ON?
3. ¿Está el interruptor del motor en la posición ON?
4. ¿Llega la gasolina al carburador?

Para comprobarlo, gire la válvula de combustible a la posición DRAIN (vea la página 62). El combustible debe poder salir con libertad. Gire la válvula del combustible a la posición OFF.

## **▲ ADVERTENCIA**

**Si se derrama combustible, cerciórese de que el área se encuentre seca antes de poner en marcha el motor. El combustible derramado o el vapor del combustible pueden encenderse.**

5. ¿Está la bujía en buen estado?

Extraiga e inspeccione la bujía. Límpiela, reajuste la separación entre los electrodos y seque la bujía. Reemplácela si es necesario.

6. Si el motor sigue sin arrancar, lleve la segadora a un concesionario Honda autorizado.

# 11. ESPECIFICACIONES

Modelo	FJ500-SE	FJ500-SER	FJ500-DE	FJ500-DER
Código de descripción	FAAC			

## Dimensiones y peso

Modelo	FJ500-SE	FJ500-SER	FJ500-DE	FJ500-DER
Longitud	1.395 mm		1.435 mm	
Anchura	610 mm	925 mm	610 mm	925 mm
Altura	990 mm		1.015 mm	
Masa en seco [Peso]	45 kg	57 kg	50 kg	62 kg

## Motor

Modelo	GX160
Tipo	4 tiempos, 1 cilindro, OHV, refrigerado por aire
Cilindrada	163 cm <sup>3</sup>
DiámetroxCarrera	68,0 × 45,0 mm
Sistema de encendido	Arranque por magneto-transistor
Bujía	BPR5ES (NGK), W16EPR-U (DENSO)
Capacidad de aceite	0,58 l
Capacidad del	2,4 l

## Tren de transmisión

Modelo	FJ500-SE	FJ500-SER	FJ500-DE	FJ500-DER
Embrague	Tipo de tensión de la correa			
Transmisión	1 marchas de avance 1		2 marchas de avance 1	
Aceite de la transmisión	0,95 l			

## Ruido y vibraciones

Tipo	SE, SER	DE, DER
Nivel de presión sonora en los oídos del operador (EN ISO 11200: 1995)	81 dB (A)	81 dB (A)
----- Error	2 dB (A)	2 dB (A)
Nivel de potencia acústica medida (Referencia a motoazadas en 2000/14/CE, 2005/88/CE)	96 dB (A)	96 dB (A)
----- Error	2 dB (A)	2 dB (A)
Nivel de vibración en mano-brazo (EN1033: 1995)	5,8 m/s <sup>2</sup>	7,8 m/s <sup>2</sup>
----- Error (EN12096: 1997 Anexo D)	2,3 m/s <sup>2</sup>	3,1 m/s <sup>2</sup>

NOTA: Especificaciones sujetas a cambios sin previo aviso.





# Honda FJ500

## MANUALE DELL'UTENTE

Istruzioni originali



ECOLOGY CONSCIOUS TECHNOLOGY

Il contrassegno "e-SPEC" contraddistingue le tecnologie responsabili applicate a Honda Power Equipment allo scopo di "preservare la natura per le generazioni future".

---

La ringraziamo per aver acquistato una motozappa Honda.

Il presente manuale fornisce le informazioni relative al funzionamento e alla manutenzione della motozappa FJ500.

Tutte le informazioni contenute in questa pubblicazione sono basate sulle più recenti informazioni sul prodotto disponibili al momento della stampa.

Honda Motor Co., Ltd., si riserva il diritto di apportare modifiche in qualsiasi momento senza preavviso e senza incorrere in alcun obbligo.

Nessuna parte di questo manuale può essere riprodotta senza autorizzazione scritta.

Questo manuale viene considerato parte integrante della motozappa e, se la motozappa viene rivenduta, deve essere allegato alla motozappa.

Prestare particolare attenzione alle dichiarazioni precedute dalle parole seguenti:

**▲ATTENZIONE** Indica la seria possibilità di gravi lesioni personali o di morte se non vengono seguite le istruzioni.

**AVVERTENZA:** Indica la possibilità di lesioni personali o di morte se non vengono seguite le istruzioni.

**NOTA:** Fornisce informazioni utili.

Se si verifica un problema, o se si hanno domande relative alla motozappa, consultare un rivenditore autorizzato di motozappe Honda.

**▲ATTENZIONE**

**Questa motozappa Honda è progettata per operare in sicurezza e affidabilità se viene utilizzata secondo queste istruzioni. Leggere e comprendere il manuale dell'utente prima di utilizzare la motozappa. In caso contrario si potrebbero causare lesioni personali o danni alla macchina.**

- Le illustrazioni possono variare in base al tipo di macchina.

---

**Smaltimento**

Allo scopo di proteggere l'ambiente, non smaltire questo prodotto, la batteria, l'olio motore, ecc. nei rifiuti generici. Osservare quanto stabilito dalle leggi e normative locali in materia di smaltimento oppure rivolgersi al proprio concessionario Honda autorizzato.



# INDICE

---

1. ISTRUZIONI DI SICUREZZA .....	3
2. UBICAZIONE DELLE ETICHETTE DI SICUREZZA .....	9
Ubicazione del marchio CE .....	10
Ubicazione dei numeri di serie .....	11
3. IDENTIFICAZIONE DELLE PARTI .....	12
4. CONTROLLI PRIMA DELL'USO .....	14
5. AVVIAMENTO DEL MOTORE.....	23
Modifica del carburatore per funzionamento ad alta quota.....	26
6. FUNZIONAMENTO DELLA MOTOZAPPA.....	27
7. ARRESTO DEL MOTORE .....	37
8. MANUTENZIONE .....	40
9. TRASPORTO/RIMESSAGGIO.....	61
10. RICERCA GUASTI .....	64
11. SPECIFICHE TECNICHE .....	65
INDIRIZZI DEI PRINCIPALI DISTRIBUTORI	
Honda .....	Interno retro copertina
PUNTI ESSENZIALI DELLA "Dichiarazione di	
conformità CE" .....	Interno retro copertina

# 1. ISTRUZIONI DI SICUREZZA

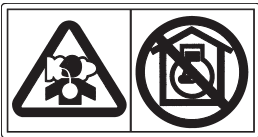
## ▲ATTENZIONE

### Per assicurare un uso sicuro–

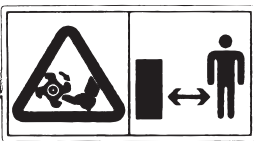
Per la sicurezza personale e per la sicurezza degli altri, prestare particolare attenzione alle precauzioni seguenti:



- Le motozappe Honda sono progettate per funzionare in modo sicuro ed affidabile se utilizzate come indicato nelle istruzioni. Leggere e capire bene il manuale dell'utente prima di utilizzare la motozappa. In caso contrario si potrebbero causare lesioni personali o danni alla macchina.



- I gas di scarico contengono monossido di carbonio, un gas velenoso incolore e inodore. Respirare monossido di carbonio può causare la perdita di coscienza e portare alla morte.
- Se si aziona la motozappa in un ambiente chiuso, anche solo parzialmente, l'aria che si respira potrebbe contenere una quantità pericolosa di gas di scarico.
- Non azionare mai la motozappa all'interno di un garage, una casa o nei pressi di finestre o porte aperte.



- Le lame della fresa sono affilate e girano ad alta velocità. Il contatto accidentale può causare ferite gravi.
- Tenere le mani e i piedi lontani dalle lame quando il motore è in funzione.
- Fermare il motore e disinnestare la frizione delle lame prima di eseguire l'ispezione o la manutenzione delle lame.
- Staccare il cappuccio della candela per prevenire ogni possibilità di avviamento accidentale. Indossare guanti robusti per proteggere le mani quando si puliscono, si ispezionano o si sostituiscono le lame.



- In certe condizioni la benzina è estremamente infiammabile ed esplosiva.
- Non fumare ed evitare scintille e fiamme libere nella zona dove si rifornisce la motozappa o si conserva la benzina.
- Non riempire troppo il serbatoio del carburante, e verificare che il tappo del serbatoio sia stato ben chiuso al termine del rifornimento.
- Fare rifornimento in un luogo ben ventilato e a motore spento.

## Responsabilità dell'operatore

- Mantenere la motozappa in buone condizioni di funzionamento. Se questa motozappa non viene mantenuta in condizioni ottimali può provocare infortuni.
- Accertarsi sempre che i dispositivi di sicurezza funzionino correttamente e che le targhette di avvertenza siano in posizione. Questi sono installati per la sicurezza dell'operatore.
- Accertarsi che i coperchi di sicurezza (coperchi delle lame, coperchio della ventola e coperchio dell'avviamento a strappo) siano al loro posto.
- Imparare ad arrestare velocemente il motore e le lame in caso di emergenza. Capire l'uso di tutti i comandi.
- Tenere saldamente i manubri. Essi tendono ad alzarsi quando si ingrana la frizione.

## ▲ATTENZIONE

### Per assicurare un uso sicuro–

#### Responsabilità dell'operatore

- Leggere attentamente il manuale dell'utente. Acquisire una completa conoscenza dei comandi e dell'uso corretto della motozappa.
- Utilizzare la motozappa per lo scopo a cui è destinata, cioè per dissodare il terreno. Qualsiasi uso diverso potrebbe essere pericoloso o danneggiare la macchina, per cui si raccomanda di non usarla per dissodare il terreno contenente rocce, pietre, fili e altro materiale rigido.
- Non permettere che bambini o altre persone che non abbiano acquisito una buona conoscenza delle istruzioni contenute nel manuale usino la motozappa. Le leggi locali potrebbero limitare l'uso della macchina a operatori in base all'età.
- Prima dell'uso, controllare a vista che la motozappa non presenti eventuali parti usurate, danneggiate o allentate. Se necessario, sostituire, in blocco, le parti danneggiate.
- Tenere presente che il proprietario o utente è responsabile di eventuali incidenti o danni a terzi o a beni di loro proprietà. Qualora la motozappa venisse noleggiata, accertarsi che le relative istruzioni di funzionamento vengano comunicate alla presenza dell'utente.
- Quando il motore è in funzione, tenere mani e piedi lontani dalle lame.
- Consentire l'utilizzo della motozappa a chiunque non ne conosca bene il funzionamento può provocare infortuni.
- Indossare scarpe robuste. L'utilizzo della motozappa a piedi nudi, con scarpe che lasciano le dita scoperte o con sandali, può provocare infortuni.
- Vestirsi in modo accurato. Vestiti larghi potrebbero rimanere intrappolati nelle parti in movimento, aumentando il rischio di infortuni.
- Stare sempre all'erta. L'utilizzo della motozappa quando si è stanchi o sotto l'influsso dell'alcol o di droghe può provocare infortuni.
- Tenere le persone e gli animali lontani dall'area di lavoro.
- Accertarsi che la barra di trazione sia in posizione e regolata correttamente.
- Non modificare le impostazioni del regolatore di giri del motore né superare la velocità massima prevista.
- Avviare il motore osservando le istruzioni contenute in questo manuale, tenendo i piedi lontani dalle lame.
- All'avviamento del motore, tenere i piedi lontani dalle lame.
- Non utilizzare la motozappa di notte o in caso di maltempo quando la visibilità è scarsa, poiché il rischio di incidenti aumenta.
- Durante il lavoro, camminare, non correre.
- Se durante il lavoro c'è bisogno di muoversi all'indietro, fare molta attenzione a persone e ostacoli eventualmente alle spalle.
- Prima di trasportare o sollevare la motozappa, accertarsi che il motore sia spento.

## **▲ATTENZIONE**

### **Per assicurare un uso sicuro–**

#### **Responsabilità dell'operatore**

- Arrestare il motore nei casi seguenti:
  - Tutte le volte che si deve lasciare la motozappa incustodita.
  - Prima di un rifornimento di carburante
- Per spegnere il motore, spostare la leva dell'acceleratore sulla posizione LOW, quindi impostare su OFF l'interruttore del motore. Se la motozappa è dotata di valvola del carburante, accertarsi che sia impostata su OFF.
- Assicurarsi che tutti i bulloni, i dadi e le viti siano saldamente serrati in modo da mantenere condizioni di lavoro di sicurezza. Per garantire la sicurezza dell'utilizzatore e un alto rendimento della macchina, è indispensabile provvedere alla manutenzione periodica.
- Non depositare la motozappa con carburante nel serbatoio all'interno di edifici in cui i vapori potrebbero raggiungere una fiamma non protetta, una sorgente di scintille o alta temperatura.
- Prima del rimessaggio in un luogo chiuso, lasciare che il motore si raffreddi.
- Per ridurre il rischio di incendio, conservare la motozappa e, in particolare, il motore, la marmitta, e anche l'area di immagazzinamento del carburante, liberi da erba, foglie e grasso in eccesso. Non lasciare contenitori di prodotti vegetali nell'edificio o nelle vicinanze.
- Se il serbatoio del carburante deve essere svuotato, questa operazione deve essere eseguita all'esterno, quando il motore è freddo.
- Per la sicurezza, sostituire le parti danneggiate o usurate.

#### **Sicurezza dei bambini**

- Tenere i bambini in casa e sotto sorveglianza di adulti tutte le volte che nelle vicinanze si sta usando un apparecchio motorizzato per uso esterno. I bambini si muovono velocemente e sono particolarmente attratti dalla motozappa e dall'attività di dissodamento.
- Mai pensare che i bambini rimangano dove li si sono visti l'ultima volta. Stare sempre attenti e spegnere il motore se ci sono dei bambini nei dintorni.
- Non si deve mai lasciare usare la motozappa a un bambino, neppure sotto la supervisione di un adulto.

#### **Pericolo di oggetti scagliati lontano**

Gli oggetti colpiti dalle lame della fresa possono essere scagliati dalla motozappa con grande forza causando ferite gravi.

- Prima di procedere col lavoro, togliere dall'area da dissodare stecchi, pietre, fili di ferro, vetri, ecc. Dissodare soltanto con la luce del giorno.
- Dopo avere urtato un oggetto estraneo, ispezionare sempre la motozappa per riscontrare eventuali danni. Prima di continuare a usarla, riparare o sostituire qualsiasi parte danneggiata.
- Pezzi perduti da lame usurate o danneggiate possono causare ferite gravi. Controllare sempre le lame prima di usare la motozappa.

---

**▲ATTENZIONE**

**Per assicurare un uso sicuro–**

### **Pericolo di incendi e di ustioni**

La benzina è estremamente infiammabile e i suoi fumi sono esplosivi. Prestare sempre la massima attenzione nel maneggiare la benzina. Tenere la benzina fuori della portata dei bambini.

- Effettuare il rifornimento di carburante prima di avviare il motore. Non rimuovere mai il tappo del serbatoio del carburante e non aggiungere mai benzina quando il motore è in funzione o quando il motore è caldo.
- Fare rifornimento in un luogo ben ventilato e a motore spento.
- Fare rifornimento solo all'aperto e non fumare durante rifornimento o quando si maneggia il carburante.
- Lasciar raffreddare il motore prima di fare rifornimento. I vapori del carburante o le fuoriuscite di carburante potrebbero prendere fuoco.
- Il motore e l'impianto di scarico diventano molto caldi durante il funzionamento, e rimangono a lungo caldi dopo che si è spento il motore. Il contatto con le parti calde del motore può causare bruciature o infiammare alcuni materiali.
- Evitare di toccare il motore o l'impianto di scarico quando sono roventi.
- Lasciare raffreddare il motore prima di effettuare la manutenzione o il rimessaggio della motozappa.
- Serrare saldamente tutti i tappi dei serbatoi del carburante.
- Conservare il carburante in appositi contenitori.
- Se fuoriesce della benzina, non tentare di avviare il motore ma spostare la motozappa lontano dalla zona della fuoriuscita ed evitare di creare una fonte di combustione fino a quando i vapori di benzina non si siano dissipati.

---

**▲ATTENZIONE**

**Per assicurare un uso sicuro–**

### **Pericolo di avvelenamento da monossido di carbonio**

Lo scarico contiene monossido di carbonio, un gas velenoso incolore e inodore. La sua respirazione può causare la perdita di coscienza e portare alla morte.

- Se si fa girare il motore in un ambiente chiuso, o anche parzialmente chiuso, l'aria che si respira potrebbe contenere una quantità pericolosa di gas di scarico. Per evitare l'accumulo dei gas di scarico provvedere ad una ventilazione adeguata.
- Sostituire la marmitta difettosa.
- Non far funzionare il motore in uno spazio limitato dove gli scarichi di monossido di carbonio, molto nocivi, si raccolgono piuttosto che disperdersi.

### **Funzionamento sui pendii**

- In caso di impiego su pendii, riempire il serbatoio a metà onde evitare fuoriuscite di benzina.
- Dissodare il pendio di traverso (ad intervalli regolari) e non su e giù.
- Prestare molta attenzione quando si cambia direzione su un pendio.
- Non usare la motozappa su un pendio superiore a 10° (17%).

L'angolo massimo di inclinazione indicato è solo indicativo e deve essere determinato a seconda dell'attrezzo utilizzato. Prima di avviare il motore controllare che la motozappa non sia danneggiata, bensì in buone condizioni. Per la sicurezza personale e degli altri, prestare molta attenzione quando si utilizza la motozappa su terreni in pendenza.

## 2. UBICAZIONE DELLE ETICHETTE DI SICUREZZA

Queste etichette avvertono dei potenziali pericoli che possono provocare gravi ferite. Leggere attentamente le etichette, le note e le precauzioni di sicurezza riportate in questo manuale.

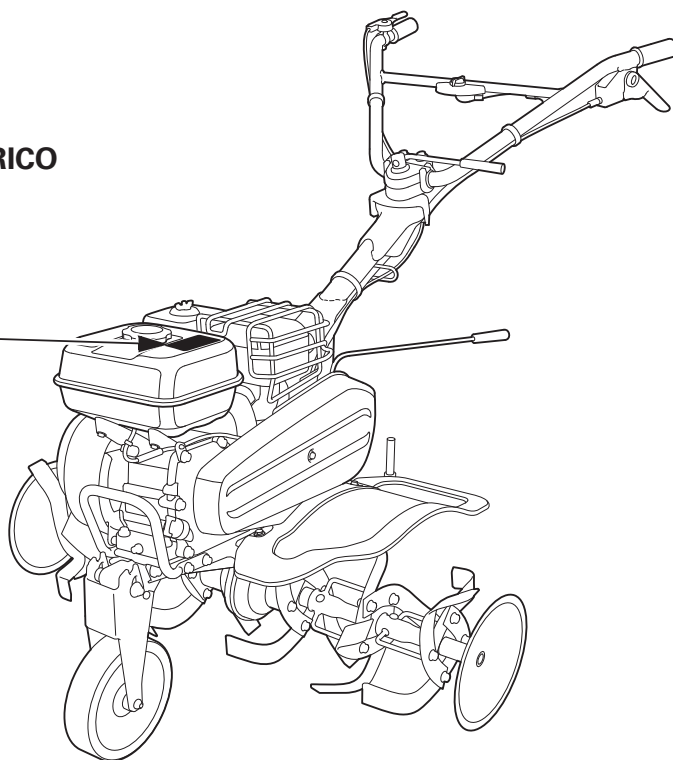
Se una etichetta venisse rimossa oppure se divenisse difficile da leggere, contattare il proprio rivenditore Honda per ottenerne una nuova.

**LEGGERE IL MANUALE  
DELL'UTENTE**

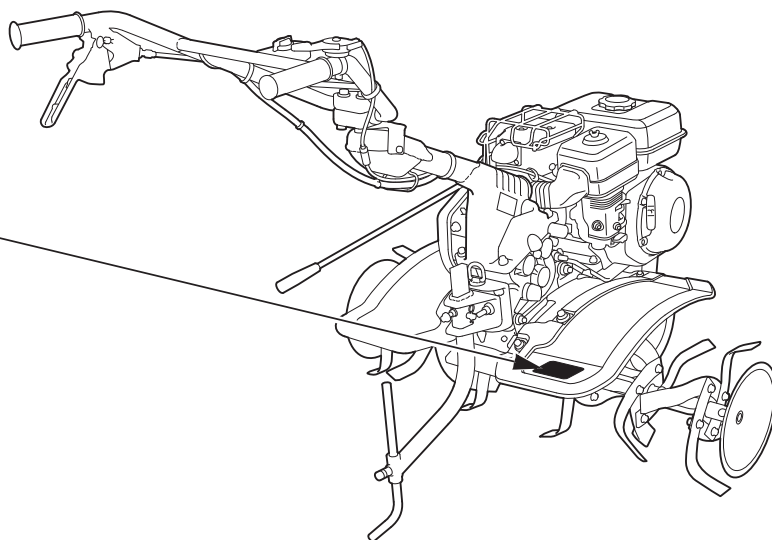
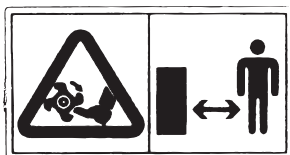
**AVVERTENZA SCARICO**



**AVVERTENZA CARBURANTE**

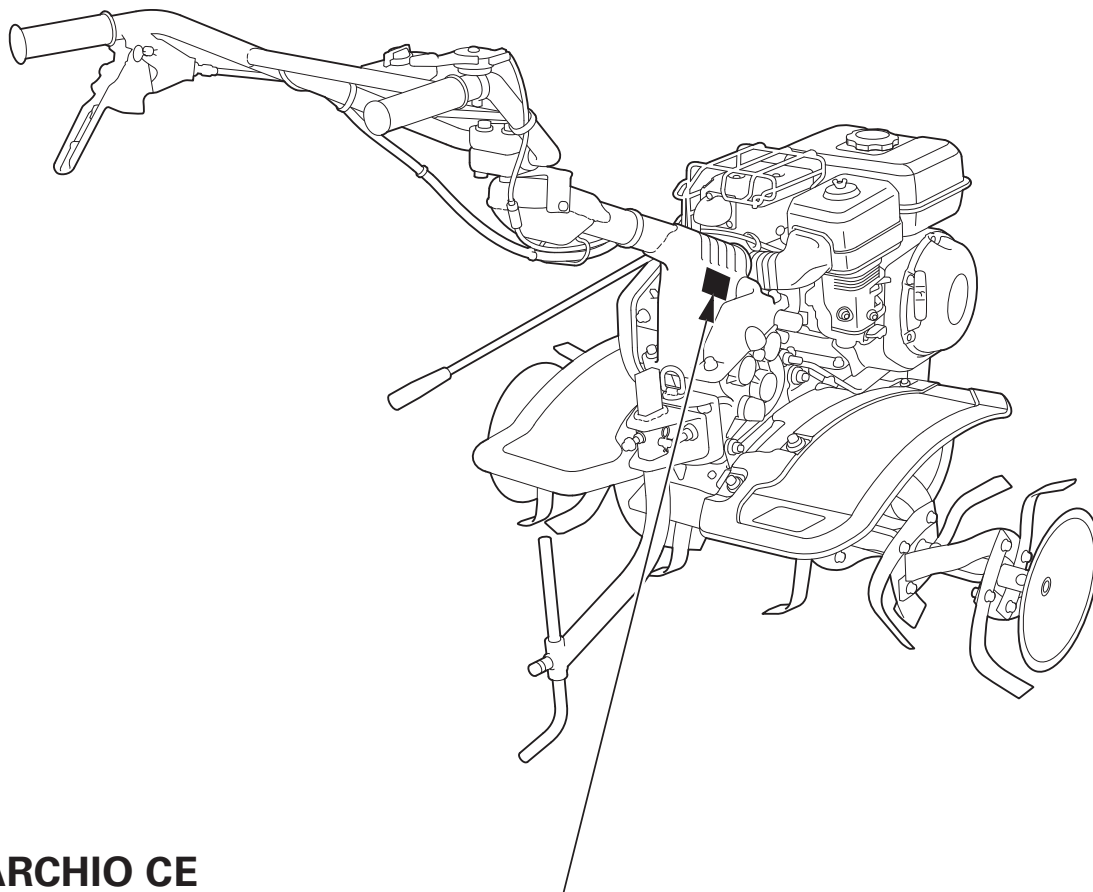


**PERICOLO DI TAGLIO**


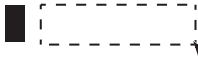
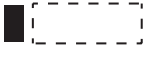





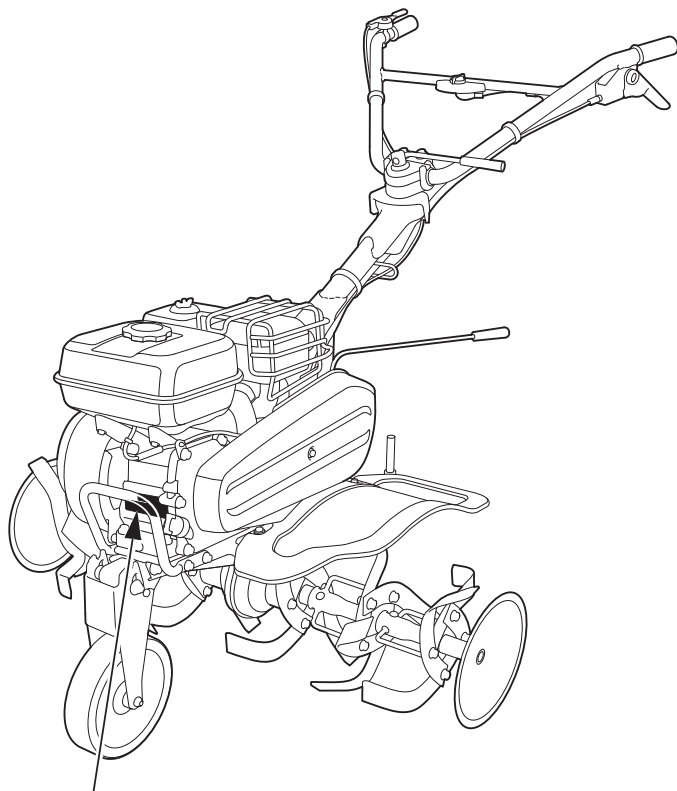
## Ubicazione del marchio CE



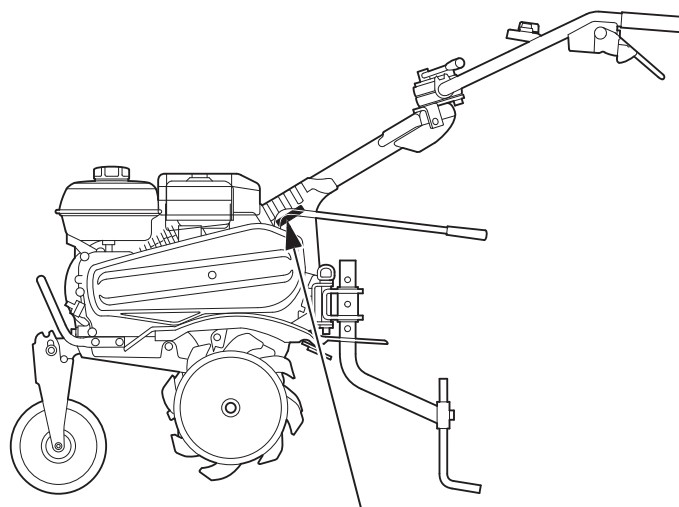
### MARCHIO CE

Nome e indirizzo del fabbricante		Nome e indirizzo del rappresentante autorizzato	
Jialing-Honda Motors Co., Ltd. No.1 Guan Yue South Road. Yubei District, Chongqing, CHINA		<b>Honda Motor Europe Ltd.</b> <b>Aalst Office</b> Wijngaardveld 1 (Noord V), 9300 Aalst - BELGIUM	
	 kW	 kg	Anno di fabbricazione
	Codice descrittivo		Massa della macchina (specifica standard)
Solo tipo DER	Potenza netta del motore		

## Ubicazione dei numeri di serie



**NUMERO DI SERIE  
MOTORE**



**NUMERO DI SERIE TELAIO**

Registrare il numero di serie del telaio e quello del motore nello spazio sottostante. Questi numeri saranno necessari per l'eventuale ordinazione di pezzi.

Numero di serie telaio: \_\_\_\_\_

Numero di serie motore: \_\_\_\_\_

# 3. IDENTIFICAZIONE DELLE PARTI

Tipi SE e SER:

REGISTRO  
ALTEZZA  
MANUBRIO

LEVA CAMBIO

LEVA ACCELERATORE

INTERRUTTORE MOTORE

LEVA FRIZIONE

MARMITTA

TAPPO SERBATOIO CARBURANTE

LEVA DI FISSAGGIO  
MANUBRIO

LEVA CAMBIO

PROTEZIONE  
ANTERIORE

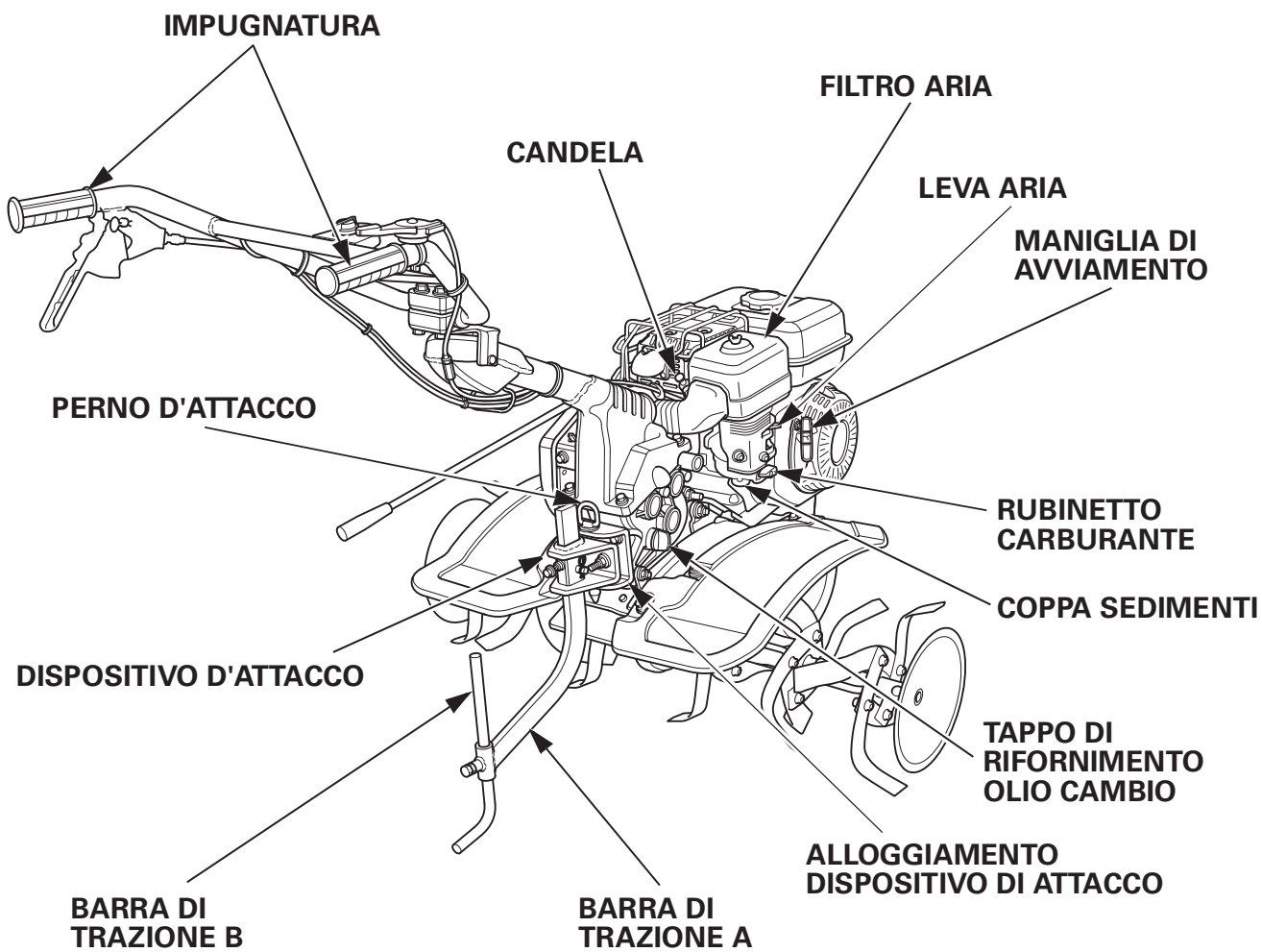
COPERCHIO CINGHIA

BULLONE DI  
SCARICO OLIO  
MOTORE

FRESA (tipi SER e DER)

RUOTA ANTERIORE  
(tipi DE e DER)

TAPPO DI RIFORMIMENTO  
OLIO MOTORE



## 4. CONTROLLI PRIMA DELL'USO

---

### **▲ATTENZIONE**

**Collocare la motozappa su una superficie solida e pianeggiante e mantenere in piano la motozappa (vale a dire le lame della fresa, la ruota anteriore (tipi DE e DER) e la barra di trazione (vedere pagina 15)). Arrestare il motore prima di incominciare la manutenzione della motozappa. Se si effettua la manutenzione della motozappa su una superficie instabile o senza arrestare il motore si rischiano lesioni personali e/o danni all'apparecchiatura.**

L'ispezione e la manutenzione quotidiana della motozappa sono essenziali per mantenerla in condizioni di funzionamento sicure e affidabili. Eseguire i seguenti controlli prima dell'uso.

#### **1. Esterno della motozappa**

Controllare che non vi siano perdite di carburante e olio motore. Accertarsi che non vi siano materiali infiammabili (polvere, paglia, ecc.) vicino al motore.

#### **2. Funzionamento della leva di comando**

Controllare che la leva funzioni regolarmente.

#### **3. Fili e cavi**

Controllare che l'isolamento di ciascun filo e cavo non presenti tagli e lacerazioni.

Controllare se ci sono fili o cavi schiacciati da parti circostanti.

#### **4. Funzionamento del motore**

- Avviare il motore. Controllare che non vi siano rumori anomali. (vedere la procedura di avviamento da pagina 23 a 25).
- Controllare che il motore si arresti completamente azionando l'interruttore del motore. (vedere la procedura di arresto da pagina 37 a 39).
- Se si notano altre anomalie, rivolgersi immediatamente al concessionario Honda autorizzato.

#### **5. Bulloni e dadi**

Controllare che le parti fissate non siano allentate. Serrare saldamente tutte le parti allentate.

## 6. Olio motore

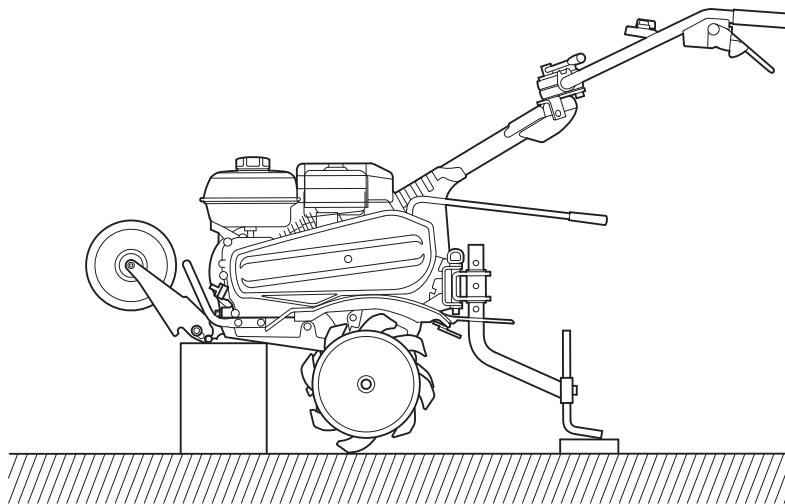
### AVVERTENZA:

**Se si lascia funzionare il motore con olio insufficiente si possono provocare serie danni al motore.**

#### 1. Tipi DE e DER:

Portare la ruota anteriore in posizione SOLLEVATA (vedere pagina 34).

2. Posizionare la motozappa su una superficie piana, arrestare il motore, collocare un supporto adeguato sotto al telaio a anteriore e blocchi di legno sotto la barra di trazione come indicato in figura, per mantenere la motozappa orizzontale.

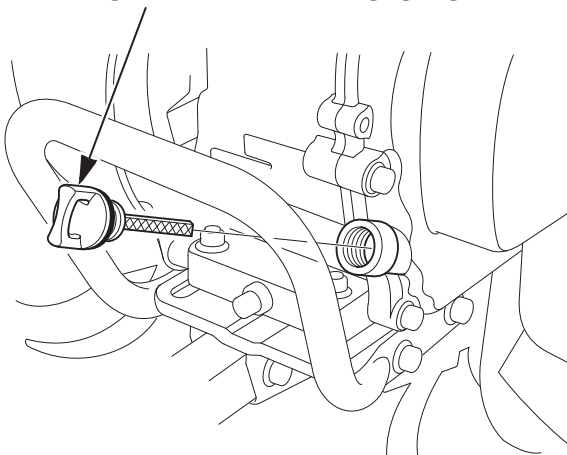


3. Rimuovere il tappo di riempimento olio.

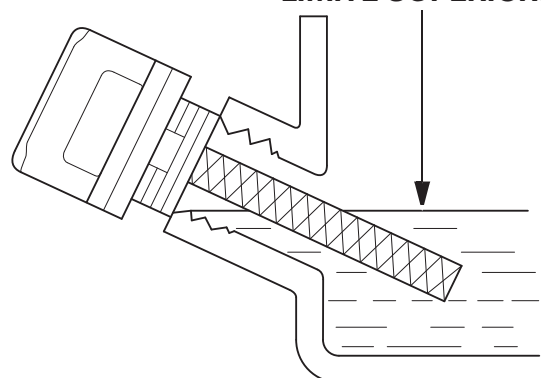
4. Controllare il livello dell'olio. Se si trova al di sotto del limite superiore, rabboccare con olio di tipo consigliato fino al limite superiore (vedere pagina 16).

5. Reinstallare saldamente il tappo di riempimento olio.

**TAPPO DI RIEMPIMENTO OLIO**



**LIMITE SUPERIORE**



---

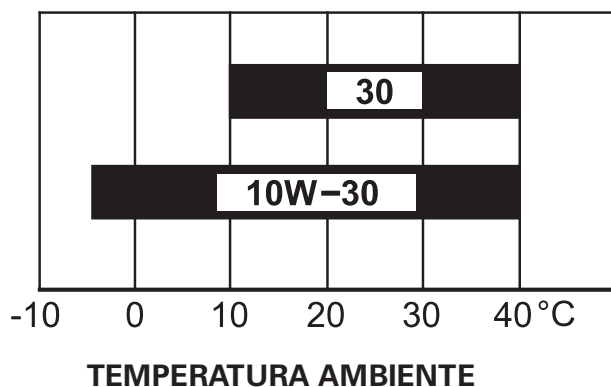
## Olio consigliato

Usare olio per motori a 4 tempi che sia almeno conforme ai requisiti per la categoria API SE o successive (o equivalenti). Verificare sempre l'etichetta API sul recipiente dell'olio per assicurarsi che contenga le lettere SE o delle categorie successive (o equivalenti).

### AVVERTENZA:

**L'uso di olio non detergente o di olio per motori a 2 tempi abbrevia la durata del motore.**

SAE 10W-30 è consigliato per l'uso generico. È possibile utilizzare le altre viscosità indicate nella tabella quando la temperatura media della propria zona è compresa nell'intervallo indicato.



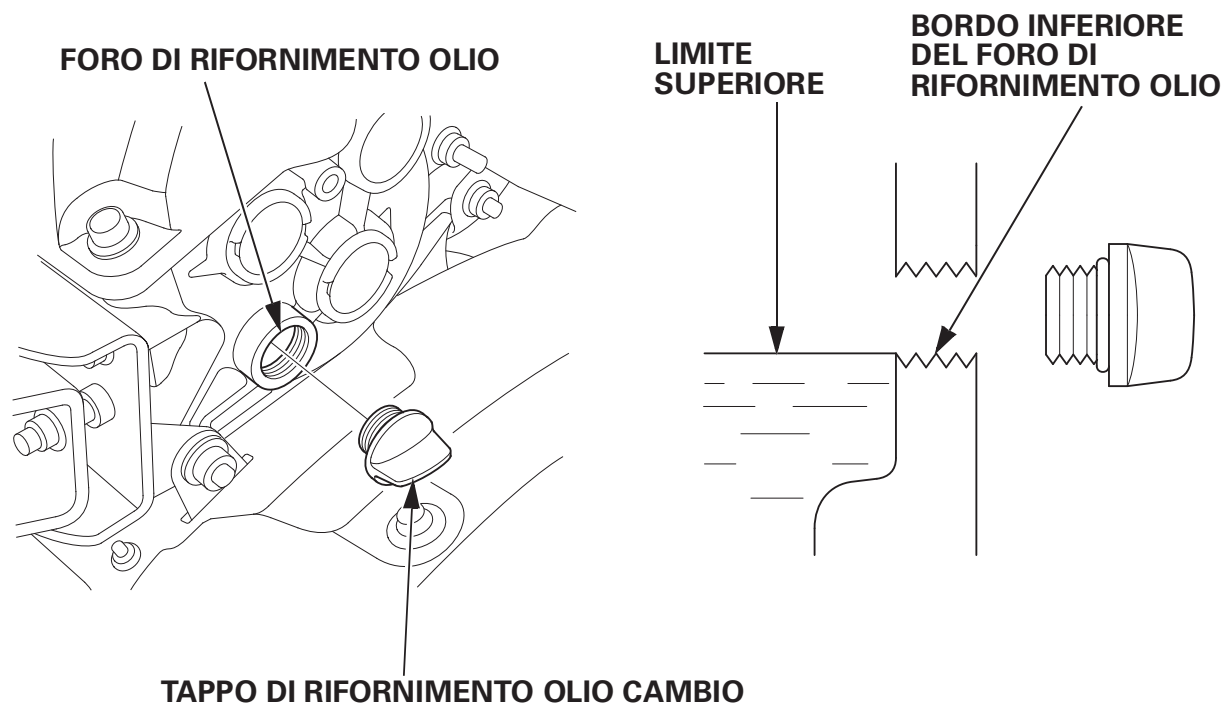
## 7. Olio per ingranaggi di trasmissione

Portare la motozappa su una superficie pianeggiante e rimuovere il tappo di rifornimento olio.

L'olio dovrebbe essere a livello del bordo inferiore del foro di rifornimento. Se il livello è basso rabboccare con l'olio consigliato.

### Olio consigliato

Usare olio per motore a 4 tempi 10W-30 conforme o superiore ai requisiti per la classificazione di servizio API SE o successiva (o equivalente). Verificare sempre l'etichetta API sul recipiente dell'olio per assicurarsi che contenga le lettere SE o delle categorie successive (o equivalenti).





## 8. Filtro aria

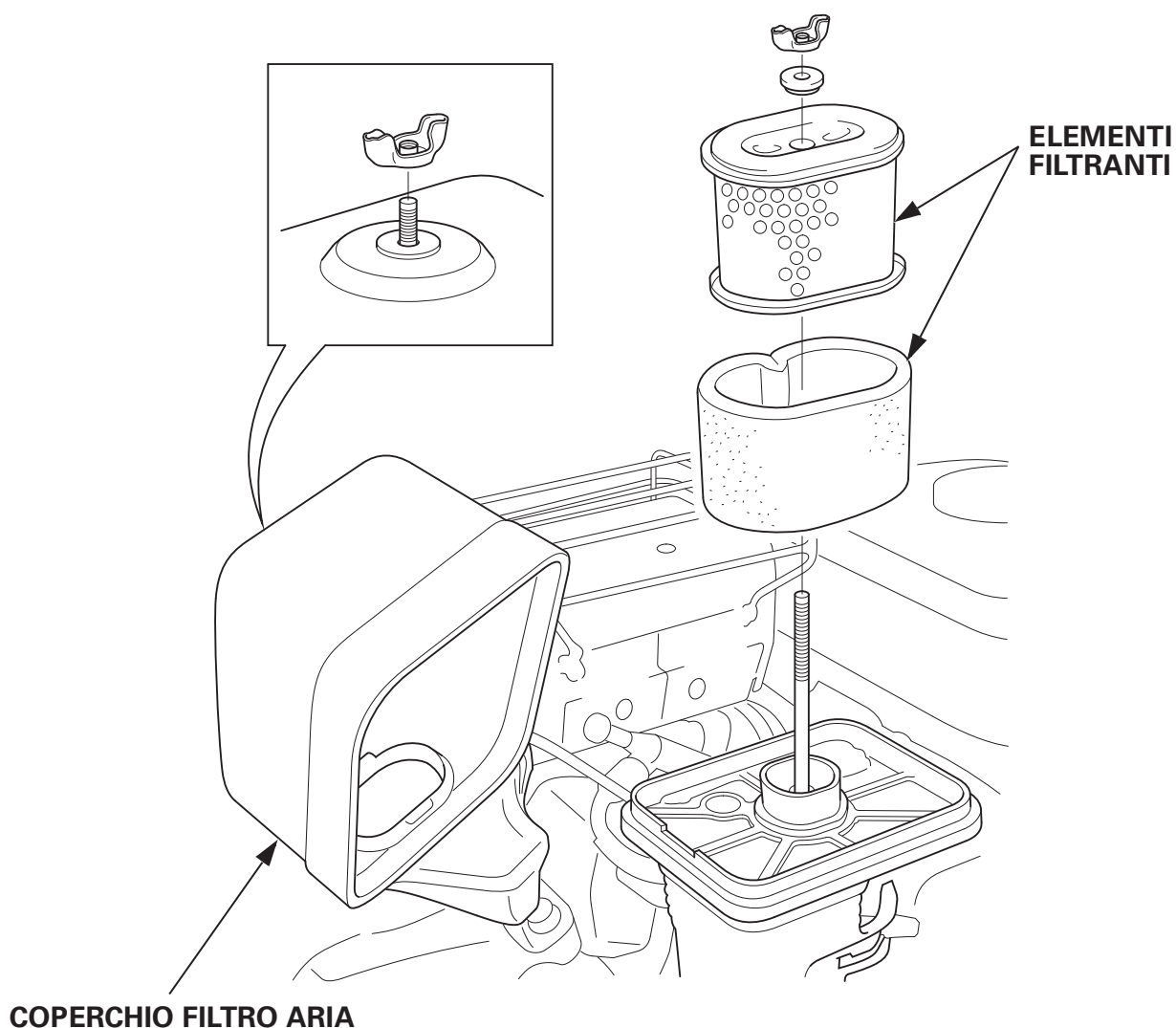
### AVVERTENZA:

**Non avviare mai il motore senza filtro dell'aria. Si causerebbe una rapida usura del motore.**

Rimuovere il coperchio del filtro dell'aria.

Controllare che gli elementi filtranti non siano sporchi o ostruiti.

Eventualmente pulire (vedere pagina 43).



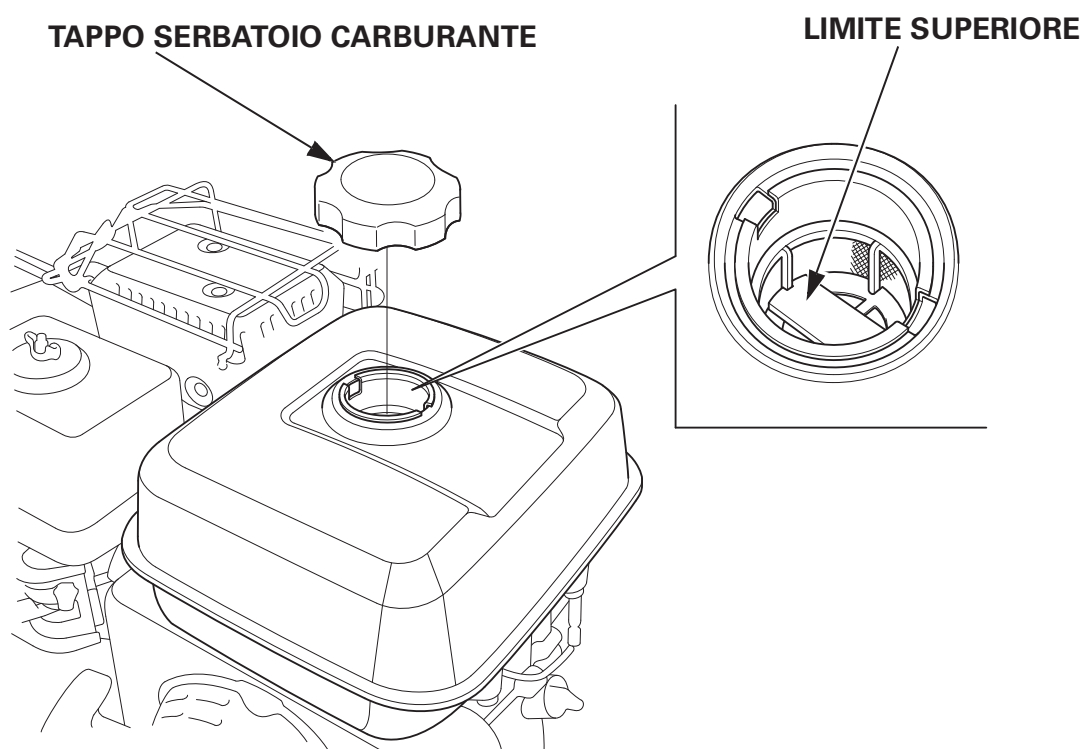
## 9. Carburante

Controllare il livello del carburante e riempire il serbatoio se il livello è basso. Usare benzina senza piombo con un numero di ottano RON di almeno 91 (un numero di ottano alla pompa di almeno 86).

Non usare mai benzina vecchia o contaminata o una miscela di olio e benzina. Evitare di gettare sporcizia o acqua nel serbatoio del carburante.

### ▲ATTENZIONE

- **In certe condizioni la benzina è estremamente infiammabile ed esplosiva.**
- **Fare rifornimento in un luogo ben ventilato e a motore spento. Non fumare e tenere fiamme e scintille lontane da dove si fa rifornimento o si tiene la benzina.**
- **Non riempire troppo il serbatoio del carburante (non ci deve essere carburante nel bocchettone di riempimento). Dopo il rifornimento, accertarsi di chiudere correttamente e saldamente il tappo del serbatoio.**
- **Fare attenzione a non versare benzina durante il rifornimento. Il carburante fuoriuscito o i vapori del carburante potrebbero incendiarsi. Se fuoriesce del carburante, verificare che l'area sia asciutta prima di avviare il motore.**
- **Evitare il contatto ripetuto o prolungato con la pelle ed evitare di respirare il vapore. TENERE FUORI DALLA PORTATA DEI BAMBINI.**



---

## NOTA:

La benzina si deteriora molto rapidamente a causa di fattori quali l'esposizione alla luce, la temperatura e il tempo.

Nel peggiore dei casi la benzina può contaminarsi in 30 giorni.

L'uso di benzina contaminata può danneggiare seriamente il motore (ostruzione del carburatore, blocco delle valvole).

Tali danni provocati da carburante deteriorato non sono coperti dalla garanzia.

Per evitare ciò, seguire scrupolosamente le seguenti raccomandazioni:

- Usare soltanto la benzina specificata (vedere pagina 19).
- Utilizzare benzina fresca e pulita.
- Per rallentare il deterioramento, mantenere la benzina in un recipiente certificato per carburanti.
- Se si prevede un rimessaggio prolungato (più di 30 giorni), svuotare il serbatoio del carburante e il carburatore (vedere pagina 61).

## **Benzina contenente alcol**

Se si decide di utilizzare una benzina che contiene alcol (miscela benzina-alcol), controllare che il numero di ottano sia almeno pari al valore raccomandato da Honda.

Esistono due tipi di "miscele benzina-alcol": una contenente etanolo e l'altra contenente metanolo.

Non usare miscele benzina-alcol contenenti oltre il 10% di etanolo.

Non usare benzine contenenti oltre il 5% di metanolo (alcol metilico o alcol di legno), e cosolventi e anticorrosivi specifici per metanolo.

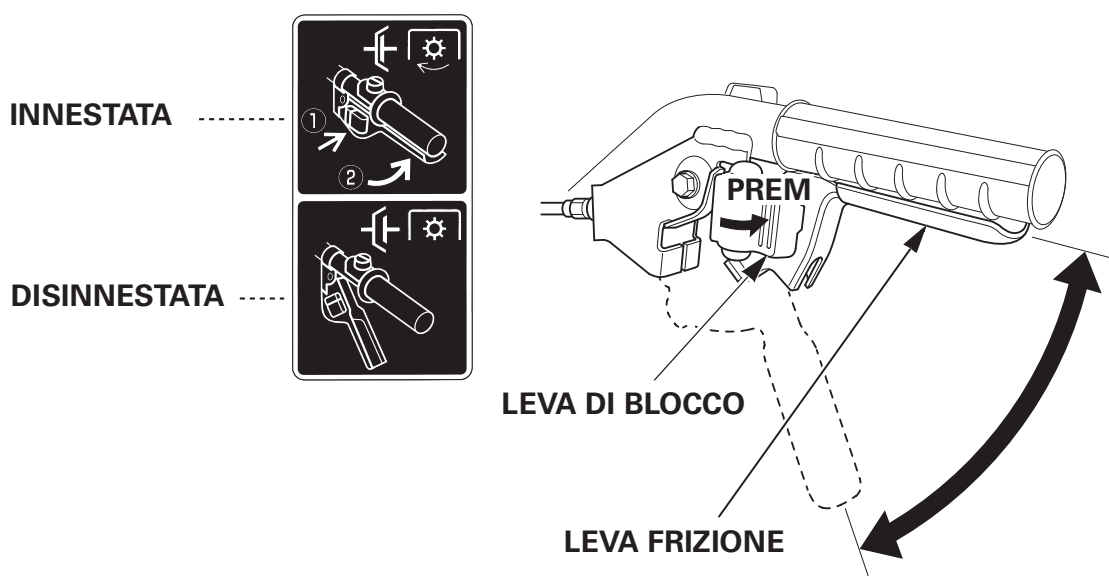
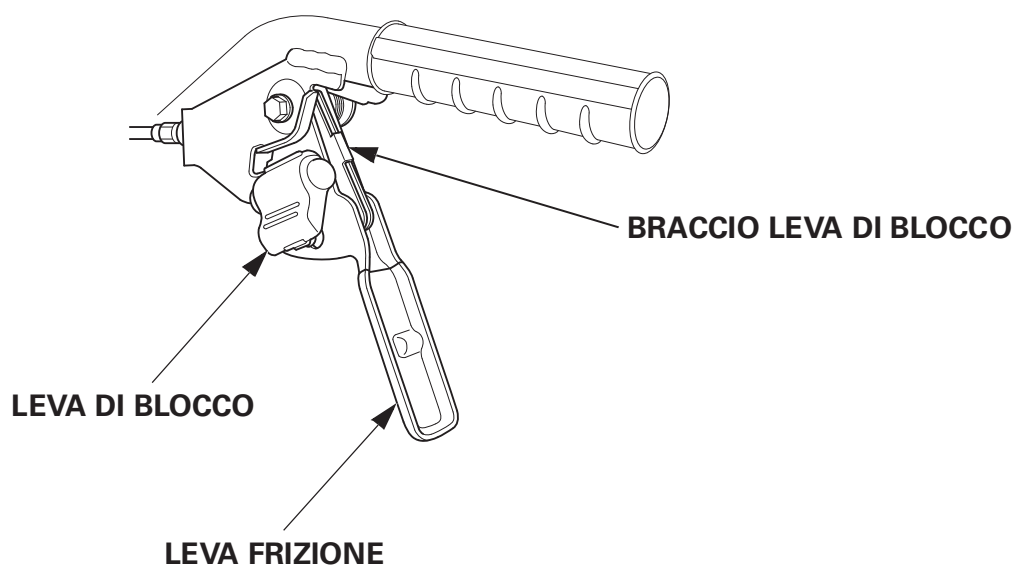
## NOTA:

- Eventuali danni all'impianto di alimentazione o problemi alle prestazioni del motore derivanti dall'uso di benzina contenente più alcol di quanto raccomandato non sono coperti dalla garanzia.
- Prima di acquistare benzina da un distributore che non si conosce, controllare se contiene alcol, di che tipo e in che percentuale.  
Se si osservano sintomi operativi indesiderati quando si utilizza una determinata benzina passare a una benzina che contenga sicuramente una percentuale di alcol inferiore a quella consigliata.

## 10. Leva frizione

Prima di controllare il funzionamento, assicurarsi che non ci siano corpi estranei (sabbia, terra, sterpi, ecc.) intrappolati attorno alla leva della frizione, alla leva di blocco e/o al braccio della leva di blocco. Controllare che la leva di blocco e la leva della frizione funzionino regolarmente premendo la leva di blocco e premendo la leva della frizione.

Se la leva di blocco e la leva della frizione non funzionano regolarmente, o se la frizione si innesta premendo la leva della frizione senza premere la leva di blocco, smontare e pulire la leva della frizione (vedere a pagina 50).



---

## **11. Attrezzi ed accessori**

Per installare un attrezzo o un accessorio sulla motozappa, seguire le istruzioni ad essi allegate. Se si incontrassero dei problemi nell'installazione dell'attrezzo o dell'accessorio, consultare il proprio rivenditore Honda.

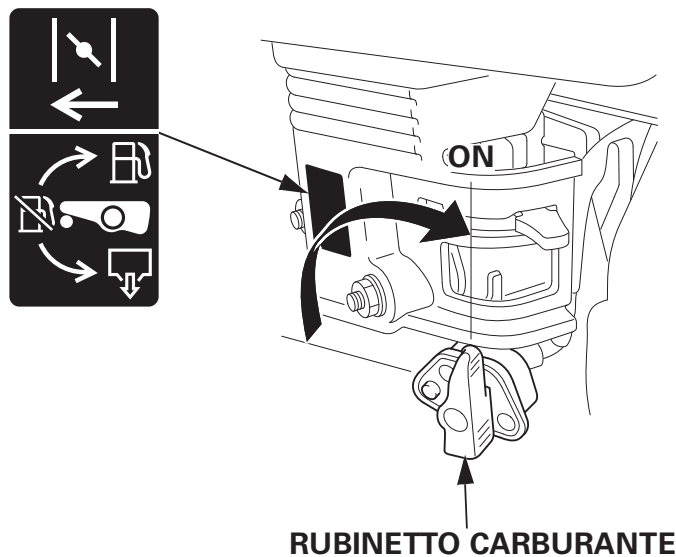
## 5. AVVIAMENTO DEL MOTORE

### AVVERTENZA:

Quando si avvia il motore verificare che la frizione sia disinnestata e la leva del cambio sia in posizione folle, per evitare movimenti e sobbalzi improvvisi ed incontrollati.

La frizione si innesta tirando la relativa leva e si disinnesta rilasciando la leva.

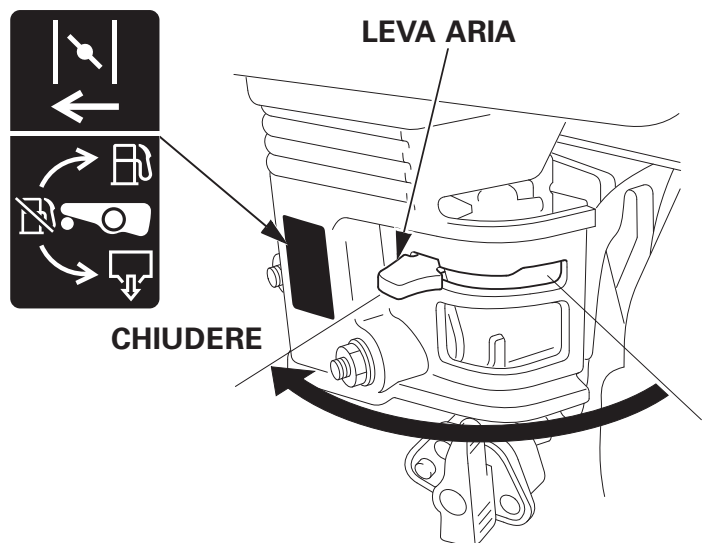
1. Ruotare il rubinetto del carburante in posizione ON.



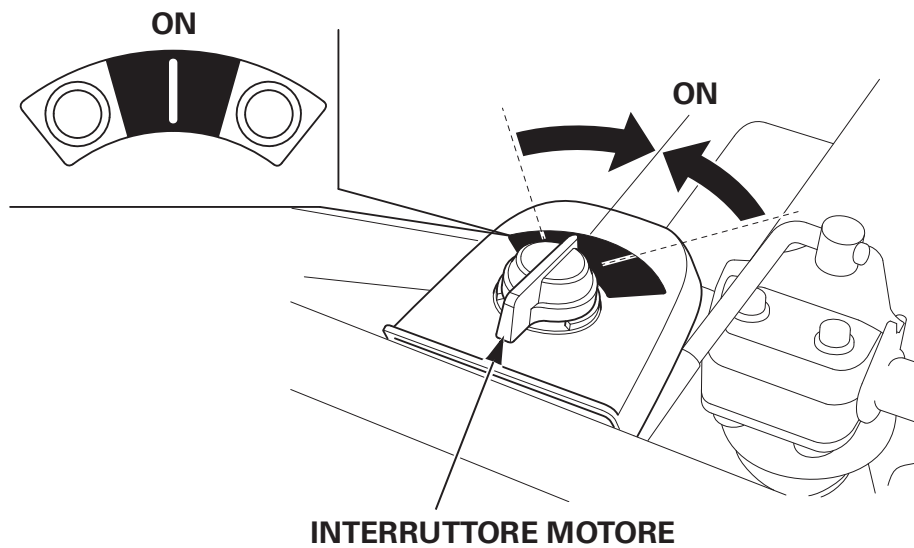
2. Alle basse temperature, quando il motore è freddo, spostare la leva dell'aria sulla posizione CLOSE (CHIUSA).

### NOTA:

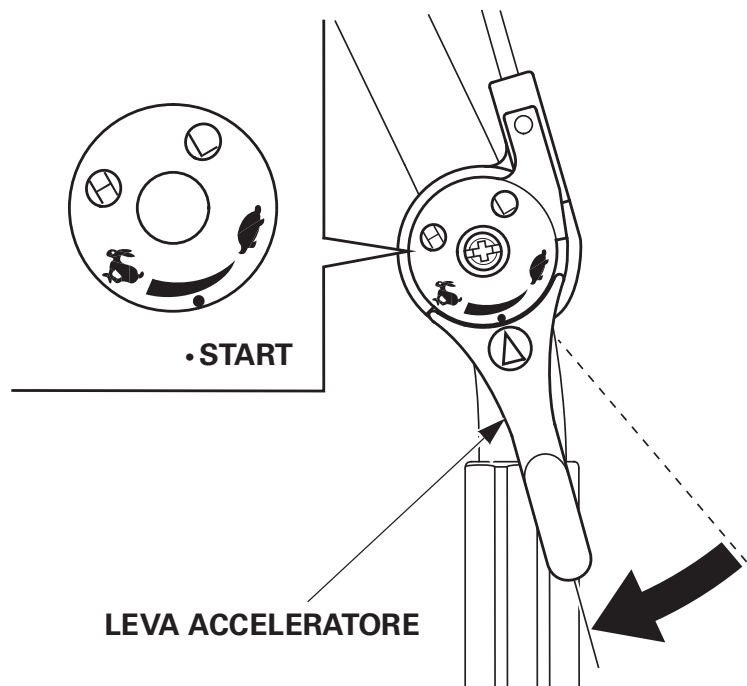
Non utilizzare la leva dell'aria se il motore è caldo o alle alte temperature.



3. Girare l'interruttore del motore sulla posizione ON.

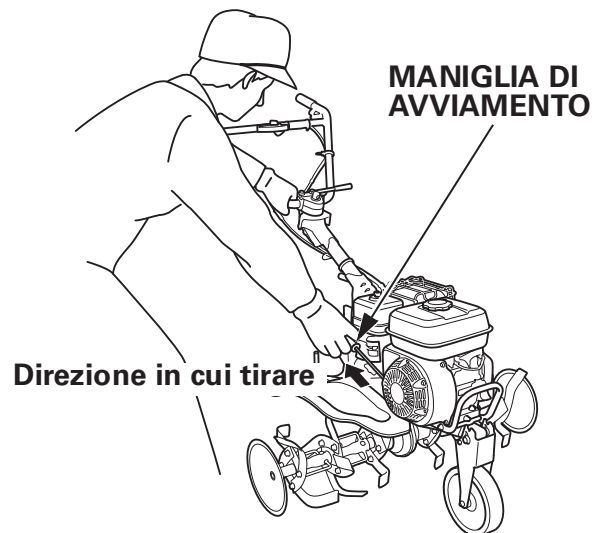


4. Allineare il segno "  $\triangle$  " sulla leva dell'acceleratore al segno "  $\bullet$  " (posizione di avviamento - START) come indicato in figura.



5. Tirare leggermente la maniglia di avviamento finché non si avverte una certa resistenza, quindi riportarla in posizione una volta.

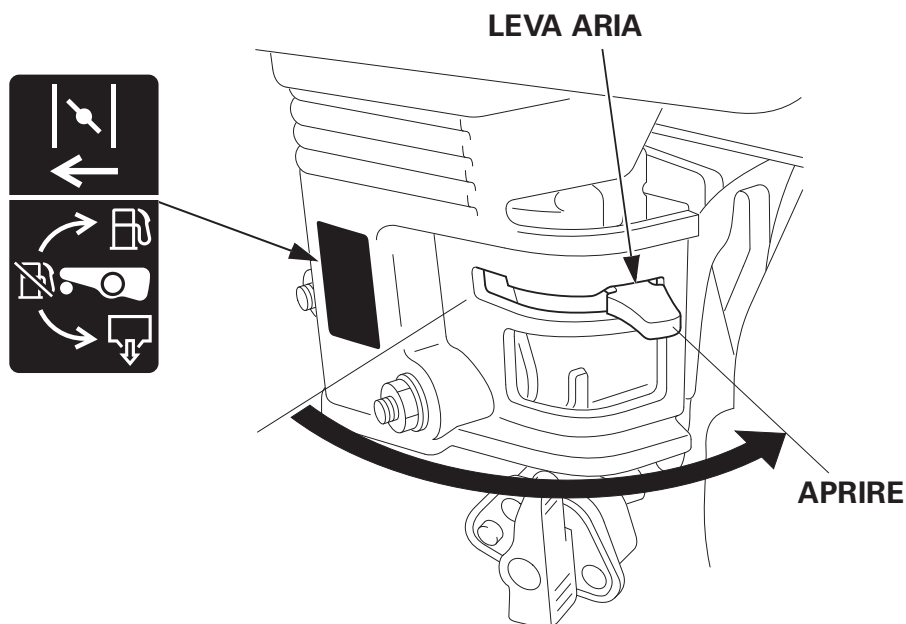
Tenere il manubrio con la mano sinistra e tirare energicamente la maniglia di avviamento nella direzione della freccia come indicato in figura.



**AVVERTENZA:**

**non lasciare che la maniglia di avviamento scatti indietro urtando contro il motore. Farla tornare delicatamente per evitare di danneggiare il dispositivo d'avviamento.**

6. Lasciare scaldare il motore per qualche minuto. Se la leva dell'aria è stata messa in posizione CHIUSA, spostarla gradualmente in posizione APERTA mano a mano che il motore si scalda.





---

## **Modifica del carburatore per funzionamento ad alta quota**

Ad alta quota, la miscela standard aria-carburante nel carburatore sarà troppo ricca. Le prestazioni diminuiscono ed il consumo di carburante aumenta. Inoltre, una miscela molto ricca imbratta le candele e causa difficoltà di avviamento. L'uso prolungato a un'altitudine differente da quella di certificazione del motore può aumentare le emissioni di scarico.

Le prestazioni ad alta quota si possono migliorare tramite specifiche modifiche al carburatore. Se si usa sempre la motozappa ad altitudini superiori a 1.500 metri, far modificare il carburatore dal concessionario. Il motore, quando usato ad alta quota con il carburatore appositamente modificato, sarà conforme a tutti gli standard sulle emissioni per tutta la vita utile.

Anche con le modifiche al carburatore, la potenza del motore diminuirà di circa il 3,5% per ogni 300 metri di altitudine. L'effetto dell'altitudine sulla potenza del motore sarebbe comunque maggiore qualora non venissero eseguite le modifiche al carburatore.

### **AVVERTENZA:**

**Quando il carburatore è stato modificato per l'uso ad alta quota, la miscela aria-carburante sarà troppo povera per essere usata a bassa quota. Il funzionamento ad altitudini inferiori a 1.500 metri con un carburatore modificato potrebbe provocare il surriscaldamento del motore con gravi danni al motore stesso. Per l'uso a bassa quota, richiedere al rivenditore di riportare il carburatore alle specifiche originali di fabbrica.**

# 6. FUNZIONAMENTO DELLA MOTOZAPPA

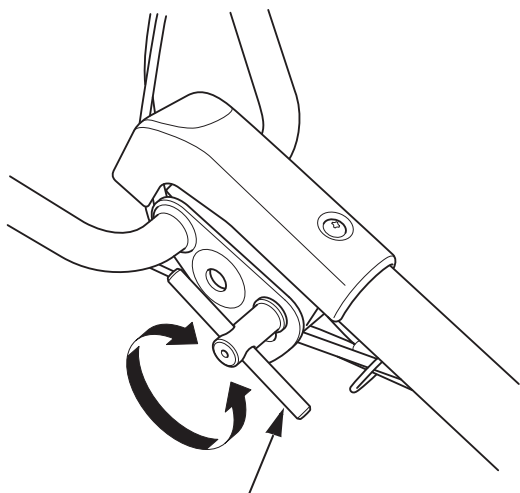
## 1. Regolazione dell'altezza del manubrio

### AVVERTENZA:

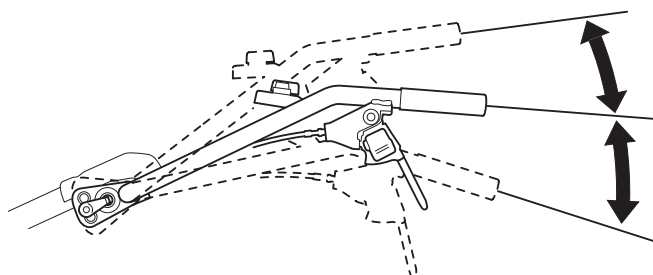
prima di regolare il manubrio, posizionare la motozappa su un terreno solido e pianeggiante per prevenire un accidentale ripiegamento del manubrio.

Tipi SE e SER:

Per regolare l'altezza del manubrio, allentare il registro dell'altezza del manubrio, scegliere i fori adatti e poi serrarlo.



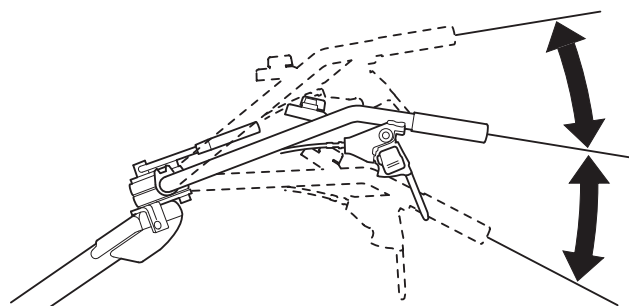
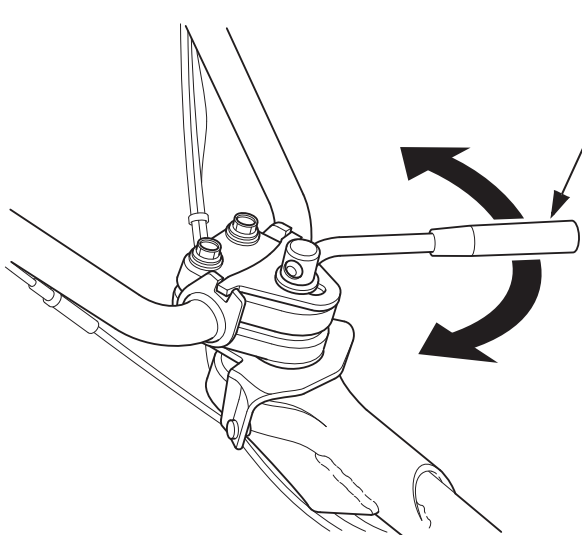
REGISTRO ALTEZZA MANUBRIO



Tipi DE e DER:

Per regolare l'altezza del manubrio, allentare la leva di fissaggio del manubrio, spostare il manubrio su una posizione desiderata e serrare la leva.

LEVA DI FISSAGGIO MANUBRIO

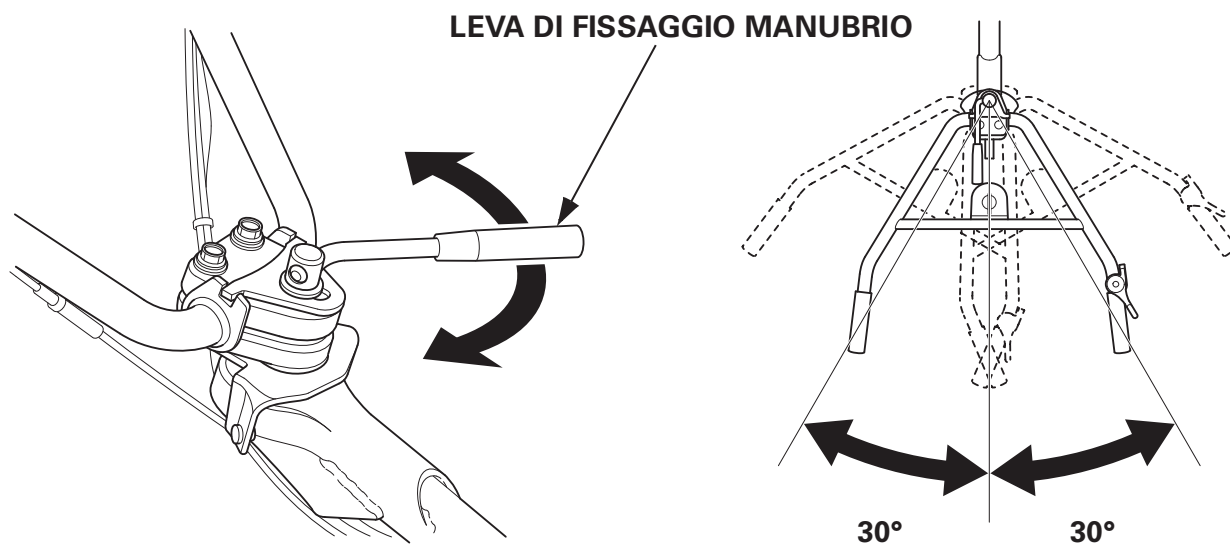


## 2. Regolazione dell'angolazione del manubrio

Tipi DE e DER:

Se è necessario regolare l'angolazione del manubrio, allentare la leva di fissaggio del manubrio, spostare il manubrio sulla posizione richiesta e serrare la leva.

Il manubrio può essere spostato di 30° dalla posizione centrale, verso destra e verso sinistra.



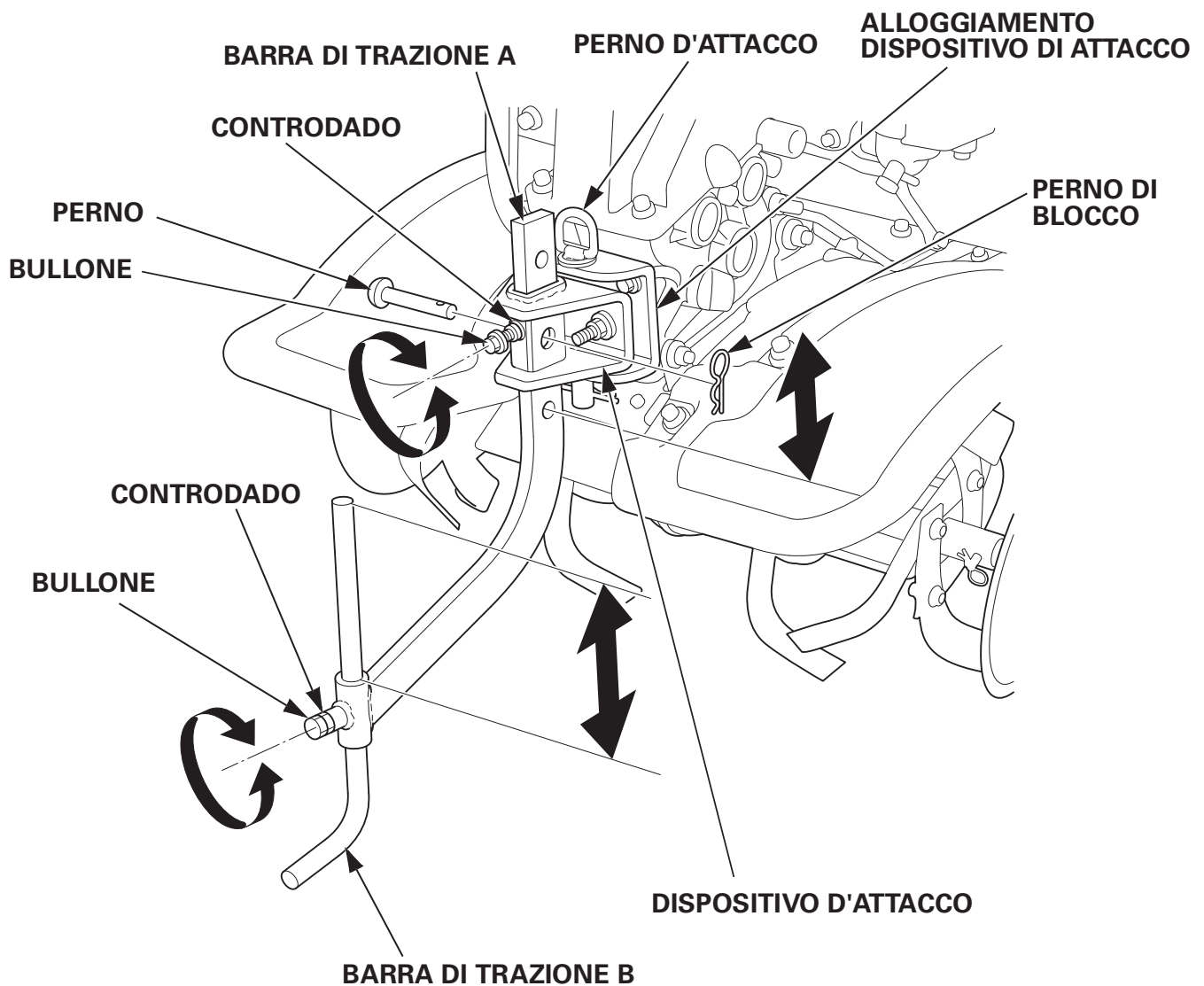
### 3. Regolazione della profondità di dissodamento

Installare il dispositivo d'attacco nel relativo alloggiamento con il perno d'attacco.

La regolazione della profondità di dissodamento può essere eseguita nel modo seguente:

Rimuovere il perno di blocco e il perno, allentare i controdadi che fissano le barre di trazione A e B e farle scorrere in alto o in basso come necessario. Una volta effettuata la regolazione, serrare saldamente i bulloni e i controdadi.

Inserire il perno e il perno di blocco.



## 4. Funzionamento della frizione

La frizione innesta e disinnesta la potenza dal motore alla trasmissione.

### AVVERTENZA:

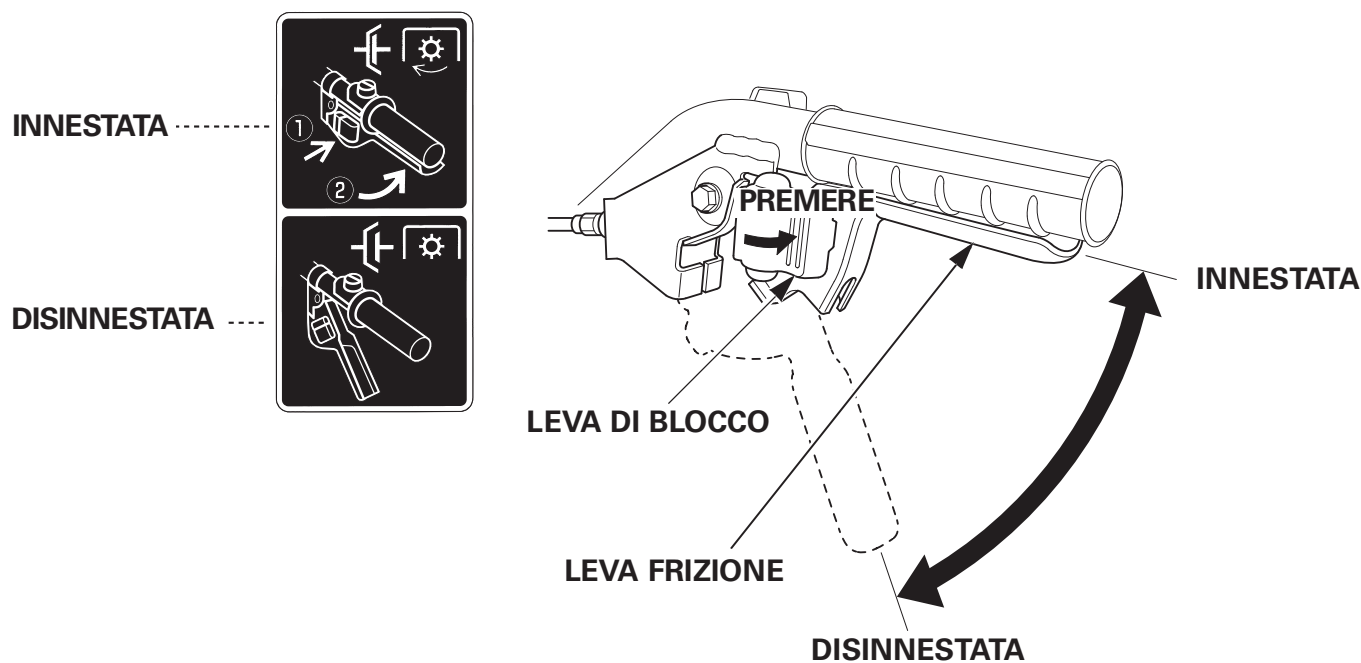
**Ridurre il numero di giri del motore prima di azionare la frizione.**

Innestrare:

1. Premere e tenere premuta la leva di blocco.
2. Premere la leva delle frizione.
3. La frizione è innestata, rilasciare la leva di blocco.

Disinnestrare:

Rilasciare la leva della frizione.



## 5. Cambio di marcia

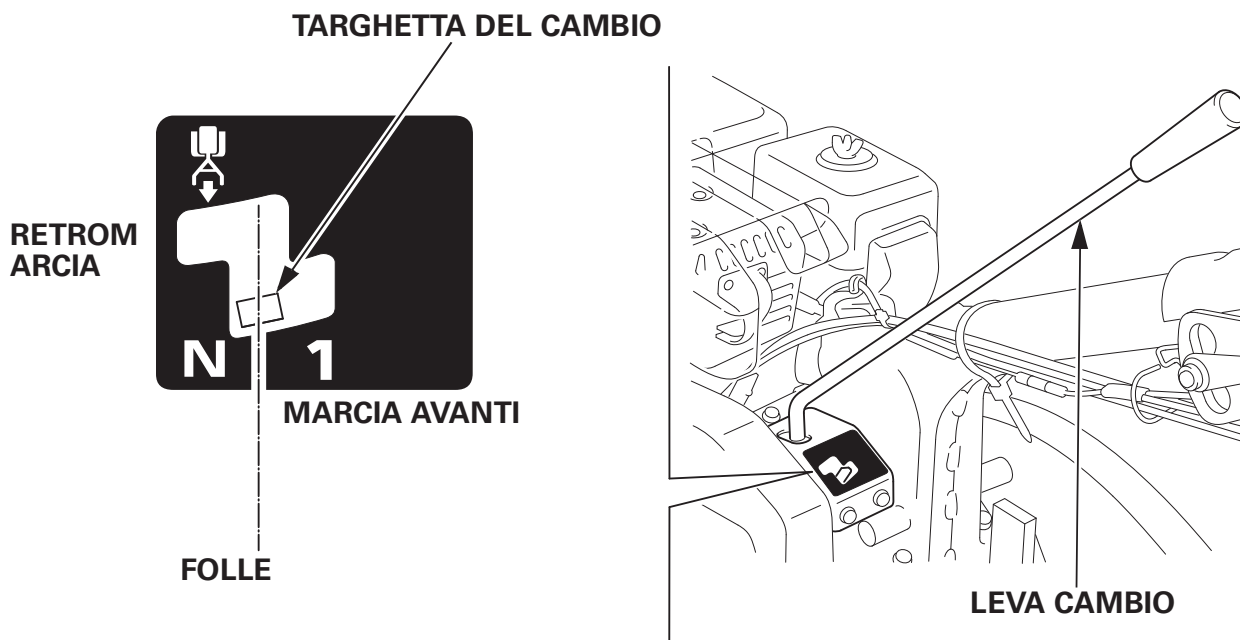
### AVVERTENZA:

**Riportare la leva dell'acceleratore sulla posizione LOW e disinnestare la frizione prima di spostare la leva del cambio. Non applicare una forza eccessiva sulla leva del cambio.**

Selezionare la marcia in base alle indicazioni della Tabella di selezione marce.

- Azionare sempre la leva del cambio dopo aver disinnestato la frizione.
- Se la leva del cambio è difficile da azionare, premere la frizione una volta quindi disinnestarla e provare ad azionare di nuovo la leva del cambio.
- Durante la retromarcia, prestare particolare attenzione ai propri piedi e osservare le seguenti precauzioni:
  1. Controllare che non ci siano persone o ostacoli alle spalle.
  2. Ridurre il regime del motore.
  3. Tenere il manubrio con entrambe le mani e sostenerlo saldamente.
  4. Innestare delicatamente la frizione e verificare che possa essere disinnestata in qualsiasi momento.

Tipi SE e SER:



Tipi DE e DER:

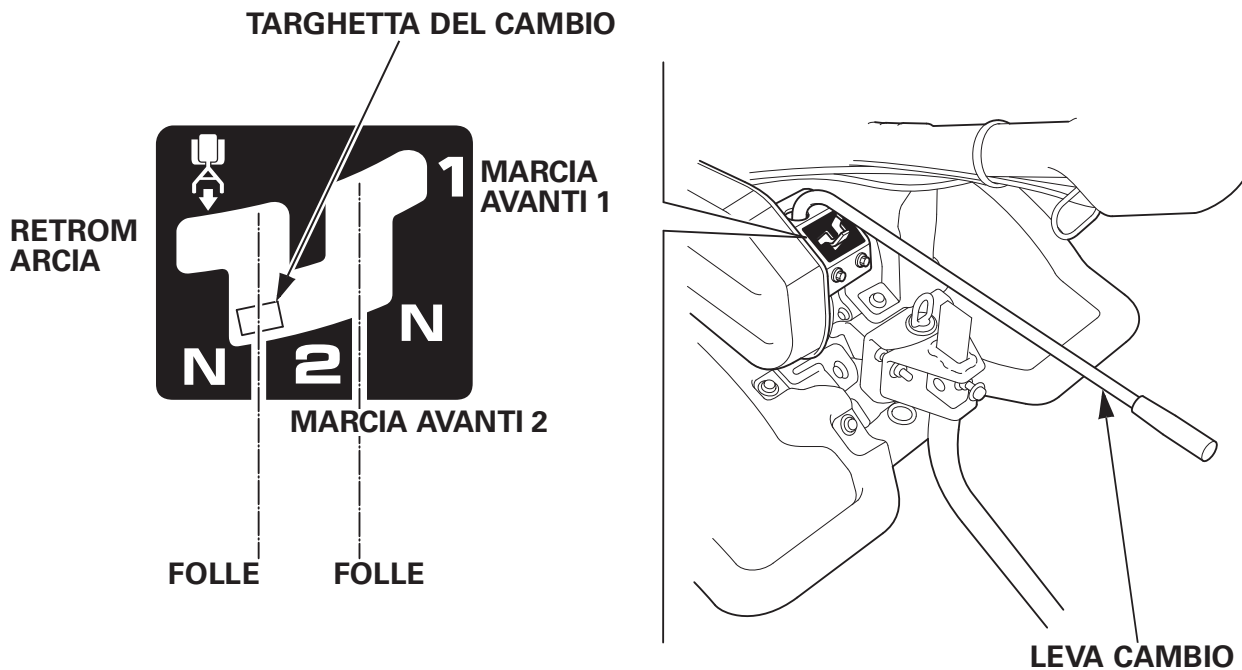
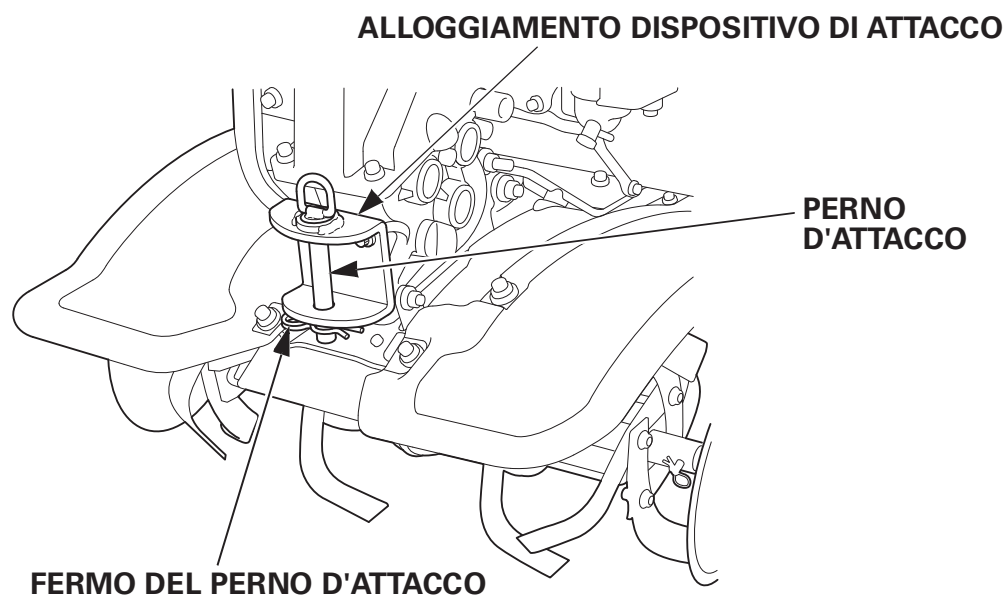


Tabella di selezione marce (con regime motore a 3.600 giri/min)

Posizione cambio	Velocità fresa		Lavoro adatto
	SE, SER	DE, DER	
1	112,9 giri/min	79,5 giri/min	Spostare la motozappa, caricare la motozappa su un mezzo di trasporto, portare la motozappa dentro o fuori da un campo.
2		112,9 giri/min	Spostare la motozappa, caricare la motozappa su un mezzo di trasporto, portare la motozappa dentro o fuori da un campo.
Retromarcia	28,0 giri/min	28,0 giri/min	Spostamento motozappa

## 6. Uso della scatola di aggancio

Installare il dispositivo d'attacco nel relativo alloggiamento con il perno d'attacco. (Il fermo del perno d'attacco scatta nella gola del perno d'attacco per fermarlo).

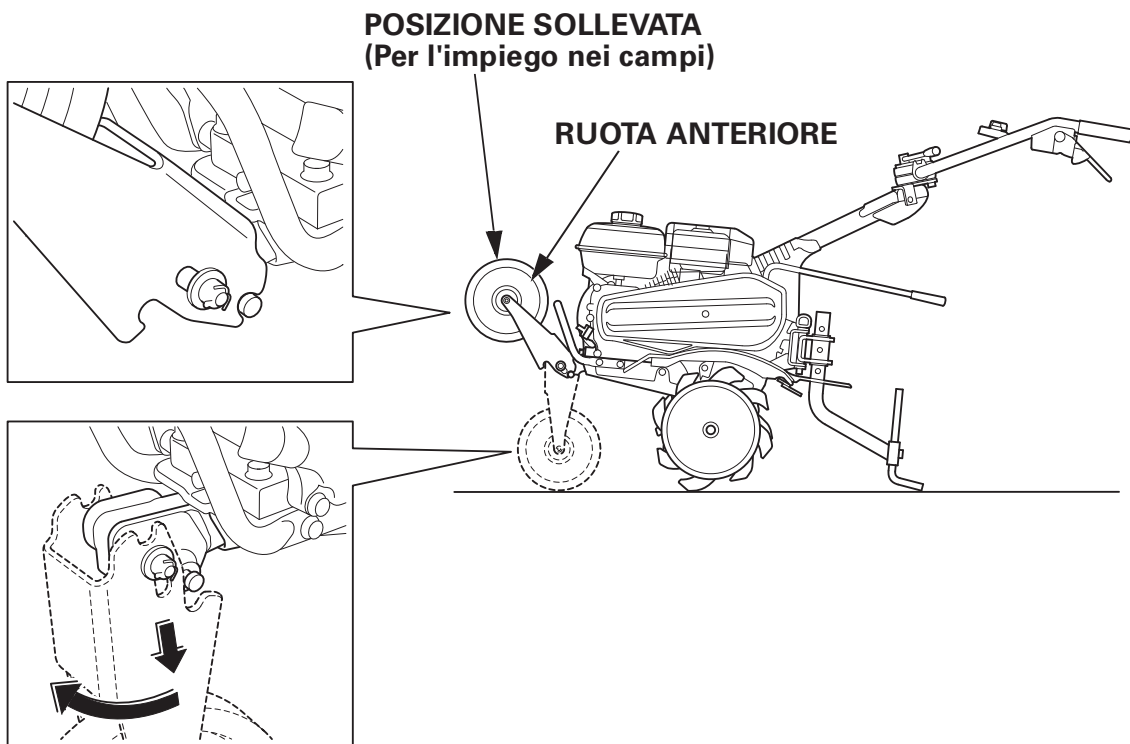
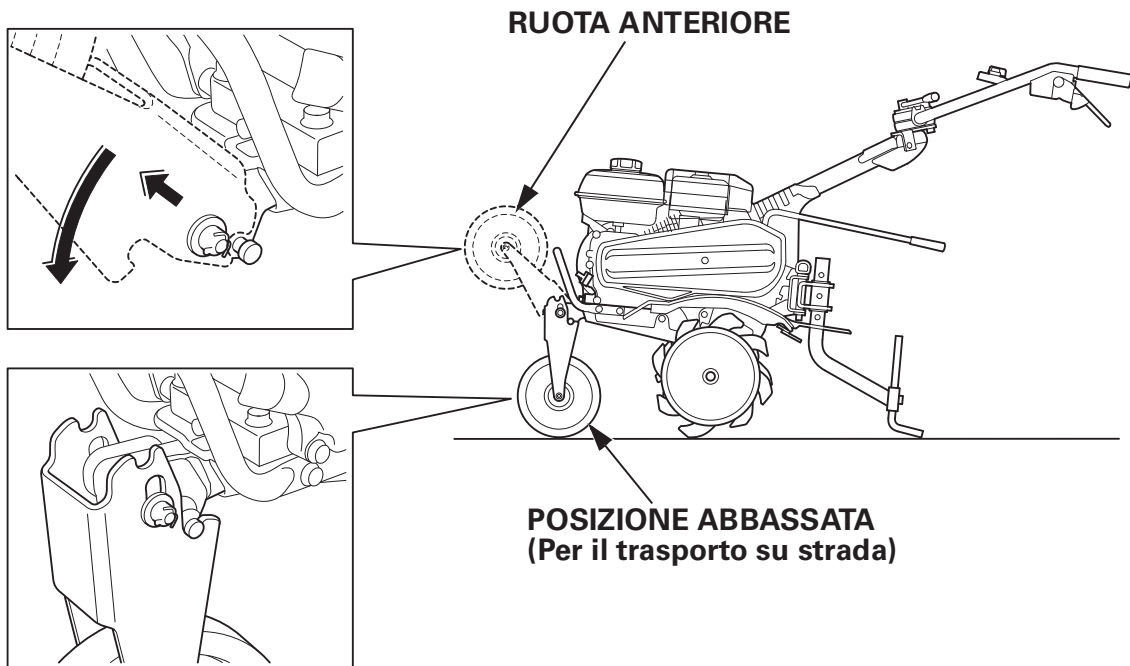




## 7. Ruota anteriore (tipi DE e DER)

Una volta raggiunto il luogo ove si vuole operare, portare la ruota anteriore in posizione sollevata. Spegnere sempre il motore prima di abbassare o sollevare la ruota.

Per sollevare o abbassare la ruota, estrarre il gruppo ruota, spostare le ruota, quindi rilasciare il gruppo ruota.



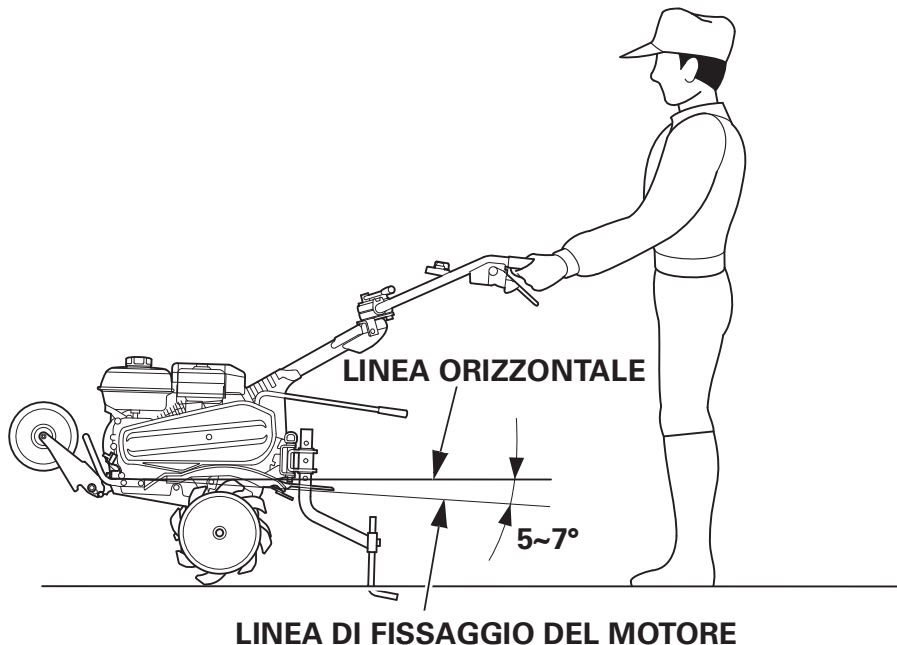
---

## 8. Suggerimenti per l'uso

- Se la motozappa tende a spostarsi in avanti rapidamente, spingere verso il basso i manubri per consentire alla barra di trazione di penetrare nel suolo e di rallentare il movimento in avanti della motozappa. Continuare a premere verso il basso fino a quando le lame della motozappa hanno scavato fino alla profondità desiderata, in modo da consentire di manovrare facilmente la motozappa.
- Se le lame scavano ma la motozappa non si muove in avanti, stringere i manubri e spostarli da un lato all'altro. Se la motozappa scava ancora ma non si sposta in avanti, sollevare la barra di trazione di un foro.
- Quando si deve svoltare, premere verso il basso i manubri per spostare il peso della motozappa verso la parte posteriore; in questo modo sarà più semplice svoltare.

## 9. Angolo di funzionamento normale

Abbassare leggermente il manico in modo che la parte anteriore della macchina venga sollevata di circa 5~7°.



Per prevenire danni, controllare se la motozappa presenta danni o altri difetti ogni volta che viene utilizzata.

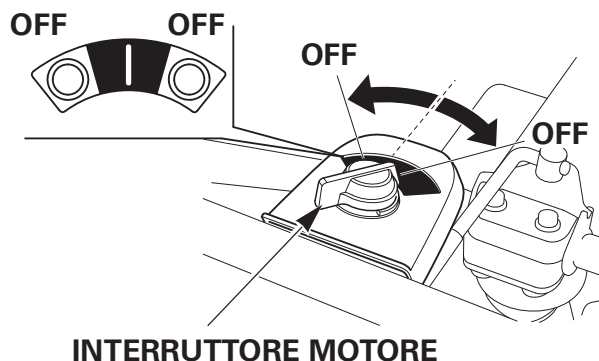
### AVVERTENZA:

- Non usare la motozappa con una fresa il cui diametro sia maggiore di 325 mm.
  - L'uso della motozappa in pendenza può causare il rovesciamento della stessa.
  - L'uso della motozappa da parte di persone non sufficientemente addestrate può provocare infortuni.
  - Indossare scarpe robuste. L'utilizzo della motozappa a piedi nudi, con scarpe che lasciano le dita scoperte o con sandali, può provocare infortuni.
  - Non utilizzare la motozappa di notte.
  - Se la fresa è intasata da fango, ciottoli, ecc. spegnere immediatamente il motore e pulire la fresa in un luogo sicuro. Indossare guanti robusti per pulire la fresa.
- Per evitare danni, controllare che la motozappa non presenti alcun segno di danni o altri guasti ogni volta che viene utilizzata.

## 7. ARRESTO DEL MOTORE

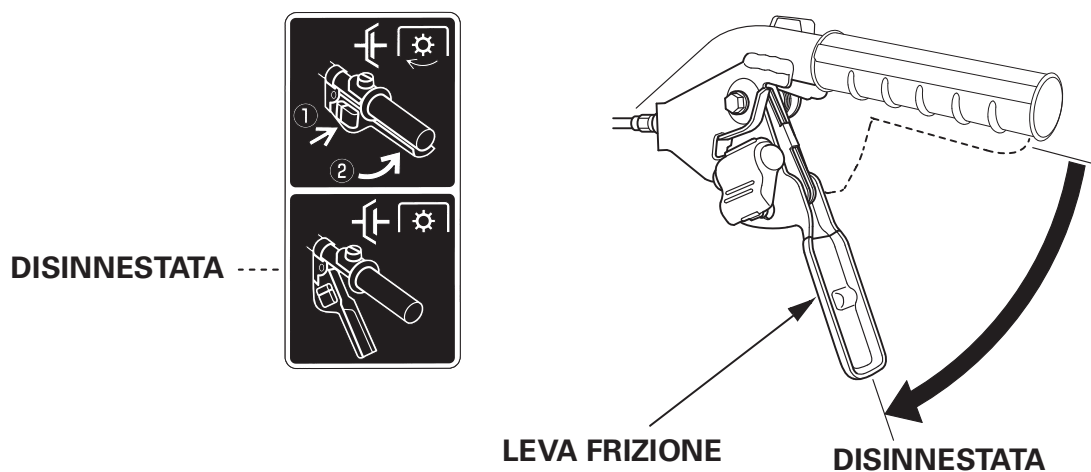
In caso di emergenza:

- Portare l'interruttore del motore in posizione OFF.

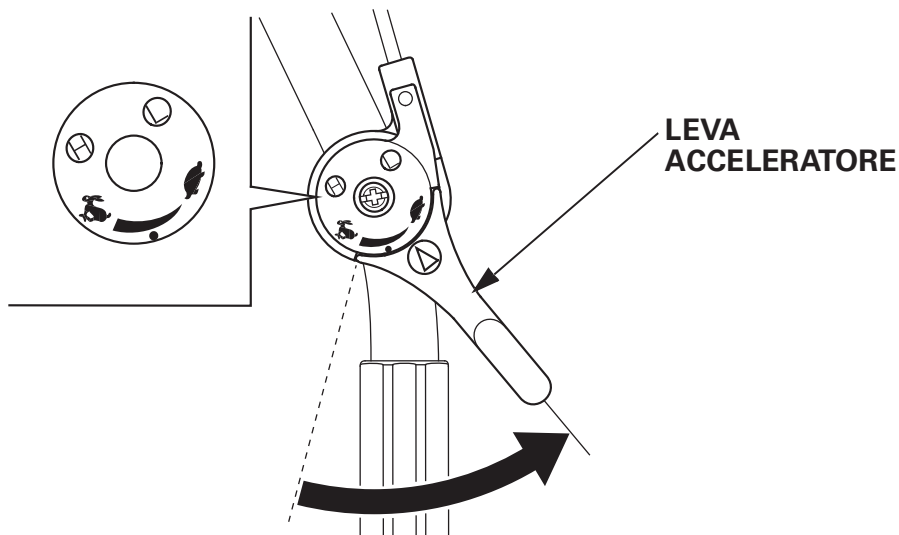


In caso di uso normale:

1. Portare la leva della frizione in posizione DISENGAGED (disinnestata).

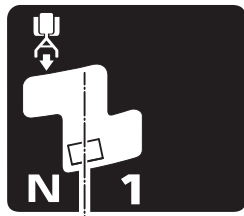


2. Spostare la leva dell'acceleratore completamente a destra.

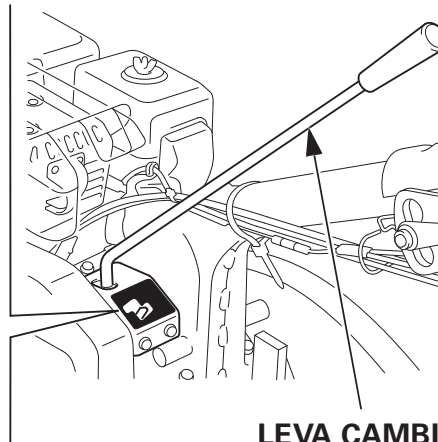


3. Portare la leva del cambio sulla posizione di FOLLE.

Tipi SE e SER:

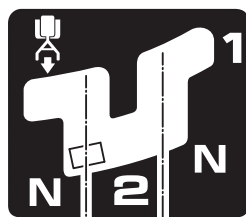


FOLLE

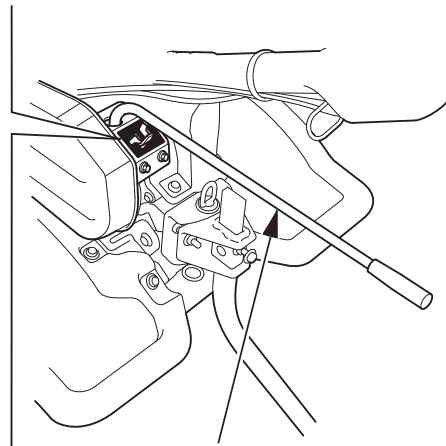


LEVA CAMBIO

Tipi DE e DER:

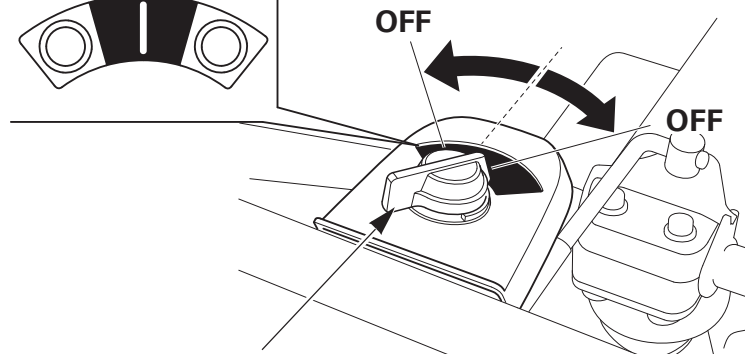


FOLLE FOLLE



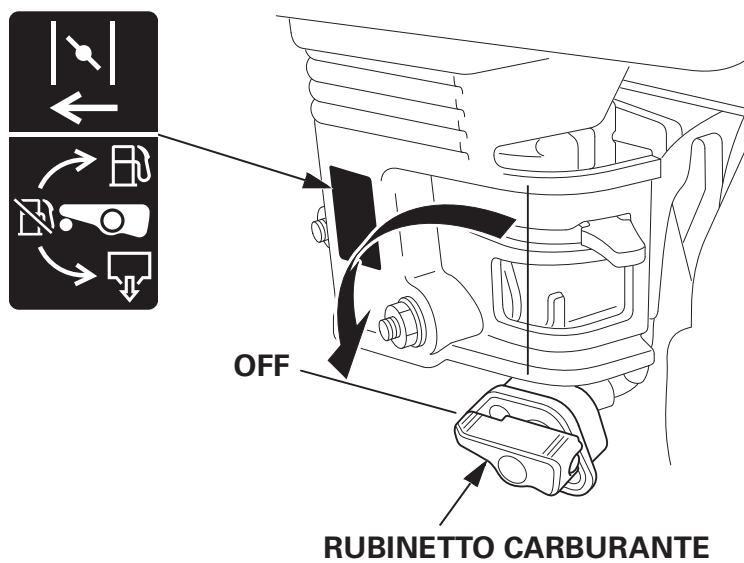
LEVA CAMBIO

4. Portare l'interruttore del motore in posizione OFF.



INTERRUPTORE MOTORE

5. Ruotare il rubinetto del carburante in posizione OFF.



## 8. MANUTENZIONE

Lo scopo del programma di manutenzione è quello di mantenere la motozappa nelle migliori condizioni di funzionamento. Eseguire le ispezioni e la manutenzione secondo il programma riportato nella tabella qui sotto.

### ▲ATTENZIONE

**Spegnere il motore prima di eseguire interventi di manutenzione. Lo scarico contiene monossido di carbonio; la respirazione di tale gas causa la perdita dei sensi e può causare la morte. Se è necessario avviare il motore, verificare che la zona sia correttamente ventilata.**

### AVVERTENZA:

**Per manutenzione o riparazione, usare solo ricambi originali Honda o equivalenti. Ricambi non equivalenti possono danneggiare la motozappa.**

### Programma di manutenzione

INTERVALLO DI MANUTENZIONE PERIODICA (1) Eseguire ad ogni intervallo di mesi od ore di funzionamento indicato, a seconda di quello che si verifica prima.		Dopo il rimesaggio	A ciascun utilizzo	Primo mese oppure 20 ore	Ogni 3 mesi oppure 50 ore	Ogni 6 mesi oppure 100 ore	Ogni anno oppure 300 ore
ELEMENTO							
Olio motore	Controllare il livello		o				
	Sostituire	o		o		o	
Capacità olio	Controllare il livello	o		o			o
Filtro aria	Controllare		o				
	Pulire				o (2)		
	Sostituire						o
Esterno della motozappa	Controllare		o				
Funzionamento della leva dell'acceleratore	Controllare		o				
Funzionamento della leva della frizione	Controllare		o				
Serraggio di bulloni e dadi	Controllare		o				
Fili e cavi	Controllare		o				

(1) Per uso commerciale, registrare le ore di funzionamento per determinare i corretti intervalli di manutenzione.

(2) Eseguire gli interventi di assistenza ogni 10 ore di funzionamento oppure ogni giorno se si utilizza in zone polverose.

INTERVALLO DI MANUTENZIONE PERIODICA (1) Eseguire ad ogni intervallo di mesi od ore di funzionamento indicato, a seconda di quello che si verifica prima.		Dopo il rimesaggio	A ciascun utilizzo	Primo mese oppure 20 ore	Ogni 3 mesi oppure 50 ore	Ogni 6 mesi oppure 100 ore	Ogni anno oppure 300 ore
ELEMENTO							
Funzionamento del motore	Controllare		o				
Coppa sedimenti	Pulire					o	
Candela	Controllare-regolare					o	
	Sostituire						o
Applicazione del grasso	Lubrificare con grasso	o (3)					
Tensione della cinghia	Controllare-regolare			o (3) (4)		o (3) (4)	
Cavo dell'acceleratore	Controllare-regolare						o
Cavo della frizione	Controllare-regolare			o (3)		o (3)	
Regime minimo	Controllare-regolare						o (3)
Gioco valvole	Controllare-regolare						o (3)
Camera di combustione	Pulire	Dopo ogni 500 ore (3)					
Filtro e serbatoio del carburante	Pulire	o (3)				o (3)	
Tubo del carburante	Controllare	Ogni 2 anni (sostituire se necessario) (3)					

(1) Per uso commerciale, registrare le ore di funzionamento per determinare i corretti intervalli di manutenzione.

(3) Questi elementi devono essere sottoposti ad assistenza presso il proprio concessionario.

(4) Controllare che la cinghia non sia incrinata o usurata in modo anomalo, sostituirla se necessario.

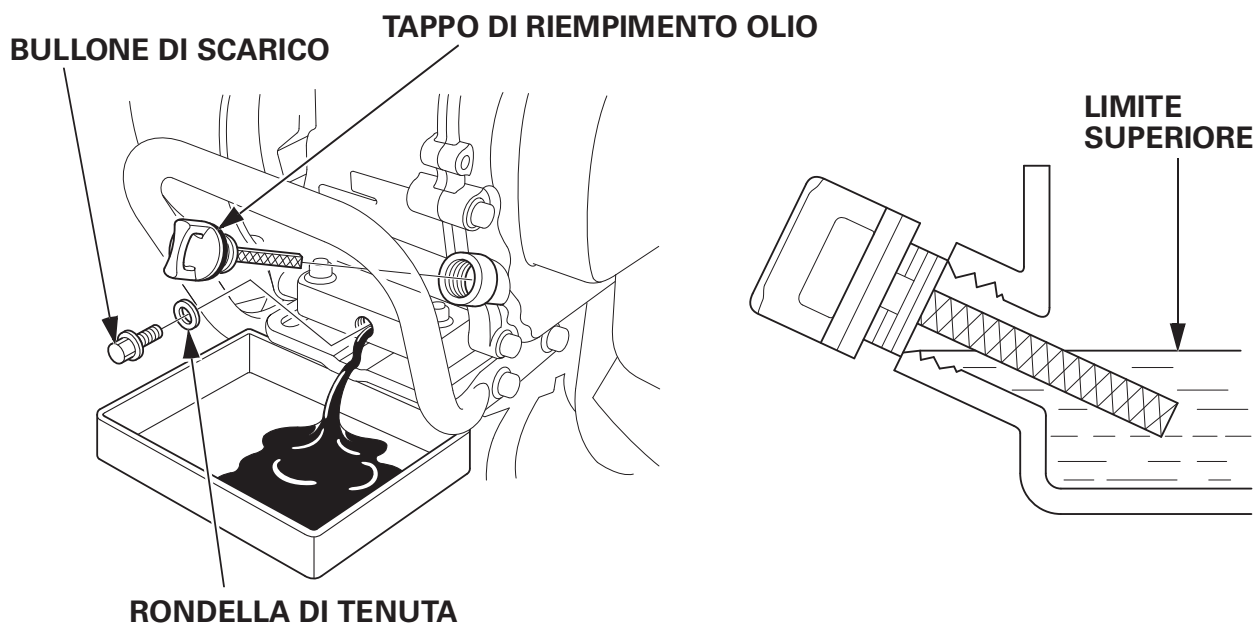


## 1. Sostituzione dell'olio

Sostituire l'olio con il motore caldo, per assicurare uno scarico rapido e completo.

1. Posizionare un idoneo contenitore sotto il motore per raccogliere l'olio usato, quindi rimuovere il tappo di riempimento olio, il bullone di scarico e la rondella di tenuta.
2. Inclinare leggermente in avanti la motozappa e lasciare scaricare l'olio.
3. Lasciare scaricare l'olio completamente e reinstallare il bullone di scarico con una nuova rondella di tenuta. Serrare saldamente il bullone.
4. Rabboccare con l'olio consigliato (vedere pagina 16) fino al limite superiore.
5. Reinstallare saldamente il tappo di riempimento olio.

**Capacità olio: 0.58 L**



Dopo aver maneggiato l'olio usato, lavare le mani con acqua e sapone.

**NOTA:**

Smaltire l'olio motore usato rispettando l'ambiente. Trasportarlo in un contenitore sigillato alla stazione di rifornimento locale. Non gettarlo nella spazzatura o rovesciarlo a terra.

## 2. Manutenzione del filtro dell'aria

Un filtro dell'aria sporco limita il flusso d'aria verso il carburatore. Per evitare malfunzionamenti del carburatore, pulire regolarmente il filtro dell'aria. Pulirlo con maggiore frequenza quando si utilizza il motore in aree estremamente polverose.

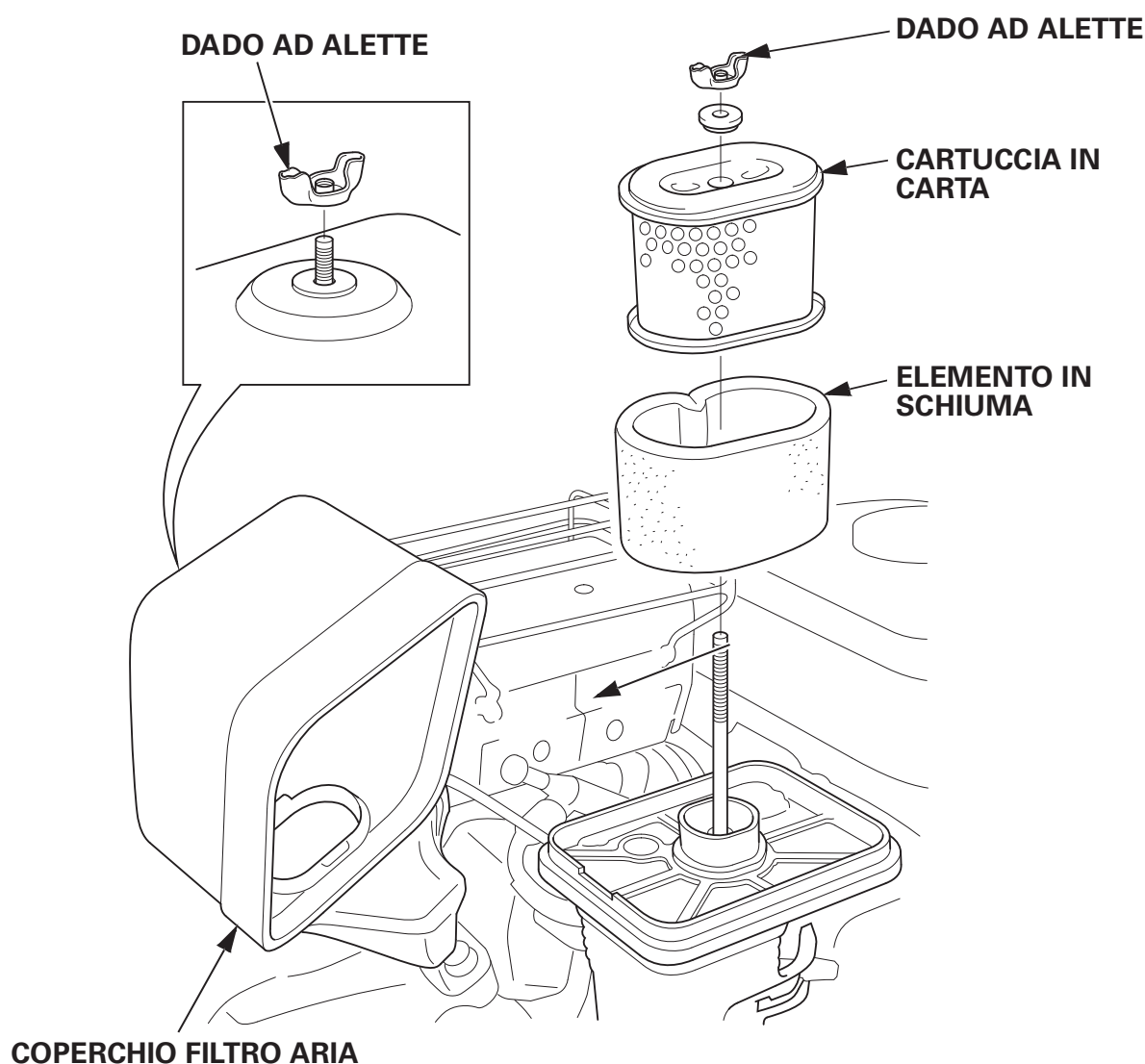
### ⚠ATTENZIONE

**Non usare mai benzina o solventi a basso punto di infiammabilità per pulire l'elemento del filtro dell'aria. Ciò potrebbe causare un incendio o un'esplosione.**

### AVVERTENZA:

**Non avviare mai il motore senza filtro dell'aria. Si causerebbe una rapida usura del motore.**

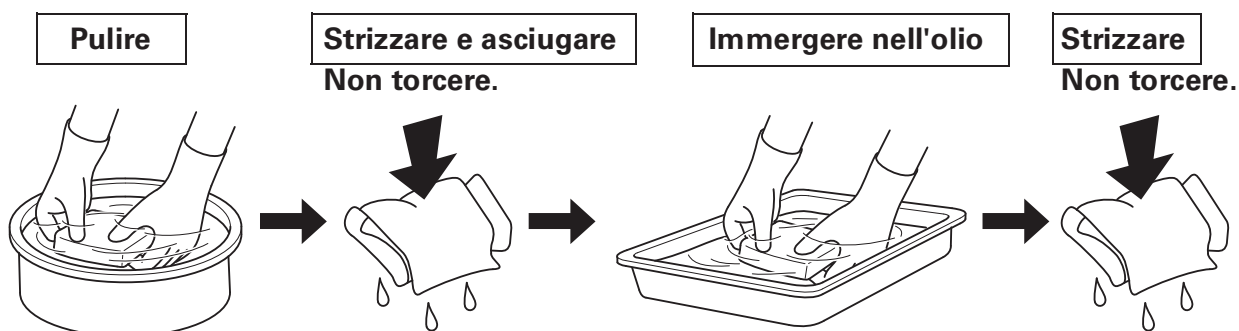
1. Rimuovere il dado ad alette e il coperchio del filtro dell'aria. Rimuovere e separare gli elementi. Controllare attentamente entrambi gli elementi per verificare se sono presenti fori o strappi, e sostituirli se danneggiati.



2. Pulire entrambi gli elementi del filtro se devono essere utilizzati.

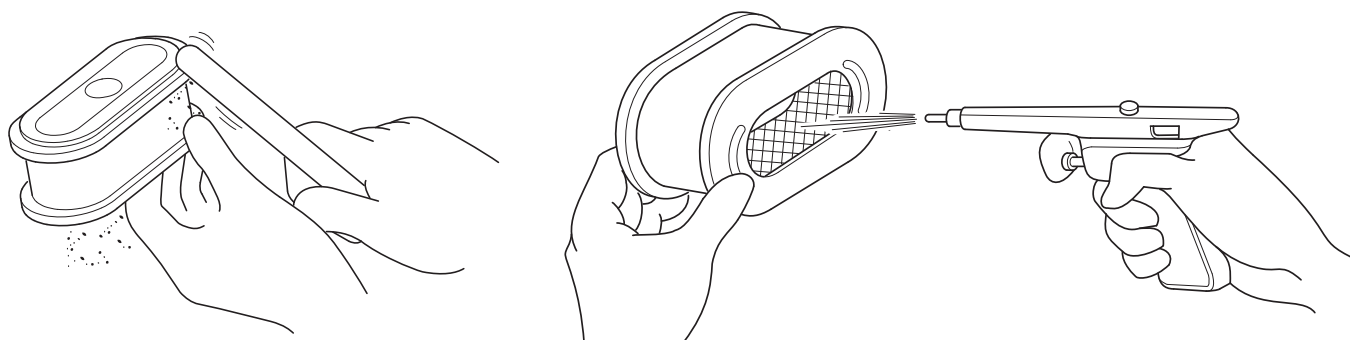
### **Elemento in schiuma:**

Pulire in acqua saponata tiepida, risciacquare e lasciarlo asciugare completamente. Oppure pulire o con solvente ad alto punto di infiammabilità e lasciarlo asciugare. Immergere l'elemento in olio motore pulito e strizzarlo per far uscire l'olio in eccesso. Se nell'elemento in schiuma rimane troppo olio, il motore emetterà una fumo al primo avviamento.



### **Cartuccia in carta**

Battere per diverse volte delicatamente la cartuccia su una superficie rigida per rimuovere lo sporco in eccesso, oppure soffiare aria compressa attraverso il filtro dall'interno verso esterno. Non usare spazzole per rimuovere lo sporco; la spazzola spinge lo sporco dentro le fibre. Sostituire la cartuccia di carta se è eccessivamente sporca.



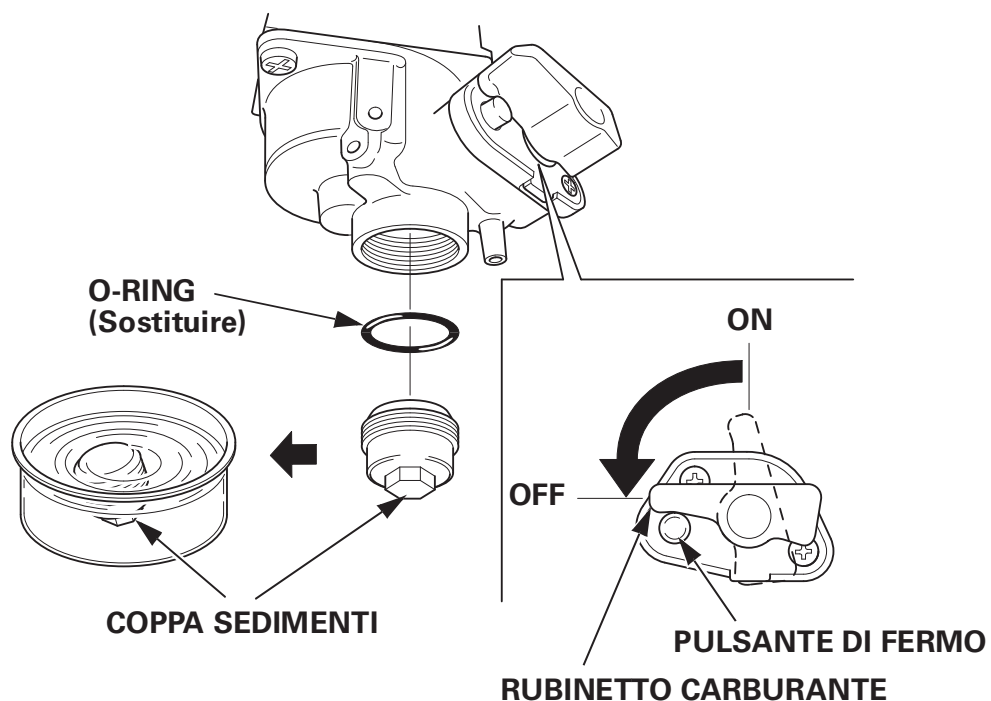
3. Installare saldamente gli elementi e il coperchio del filtro dell'aria.

### 3. Pulizia della coppa sedimenti

#### **⚠ATTENZIONE**

**In certe condizioni la benzina è estremamente infiammabile ed esplosiva. Non fumare o non consentire fiamme o scintille nella zona.**

1. Portare l'interruttore del motore in posizione OFF.
2. Ruotare il rubinetto del carburante in posizione OFF in modo che sia a contatto con il pulsante di fermo.
3. Rimuovere la coppa sedimenti e l'O-ring con una chiave da 10 mm.
4. Svuotare la coppa sedimenti e lavarla con un solvente non infiammabile.
5. Installare un nuovo O-ring e la coppa sedimenti. Serrare saldamente la coppa sedimenti.
6. Ruotare il rubinetto del carburante in posizione ON e controllare se ci sono perdite.



## 4. Manutenzione della candela

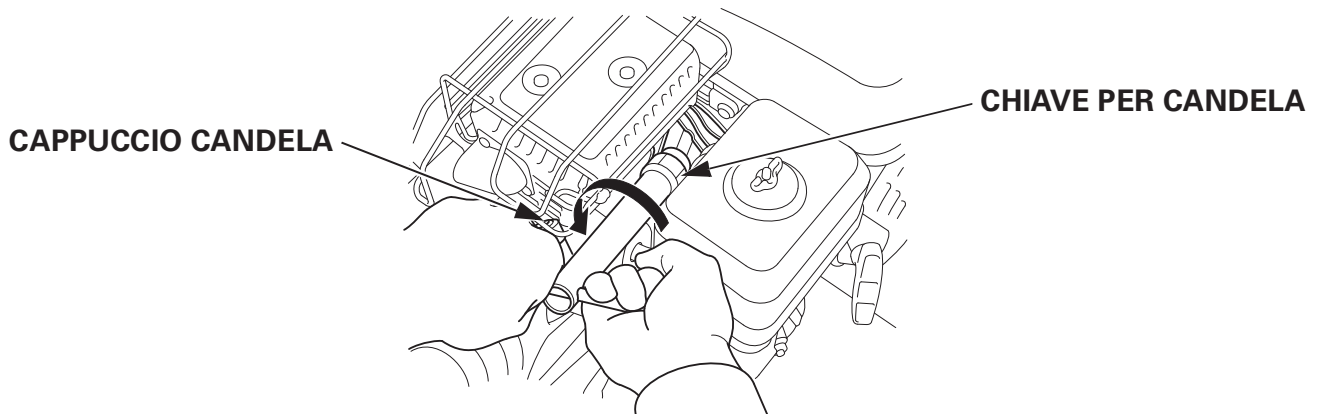
**Candela consigliata:** BPR5ES (NGK)  
W16EPR-U (DENSO)

Per assicurare il funzionamento corretto del motore, la distanza tra gli elettrodi deve essere corretta ed esente da depositi.

1. Togliere il cappuccio della candela.  
Rimuovere la candela utilizzando una chiave per candele.

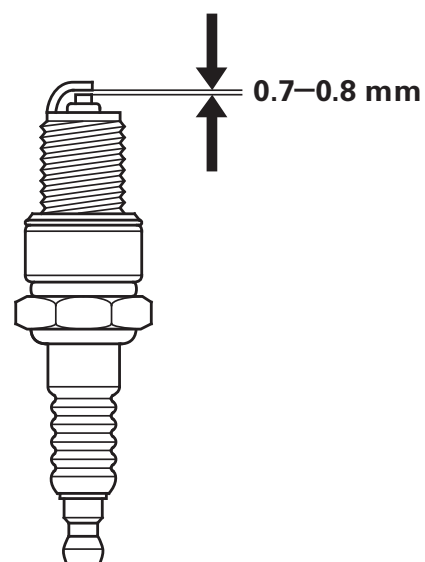
### ⚠ATTENZIONE

**Se il motore era in funzione, il silenziatore sarà rovente. Non toccare il silenziatore.**



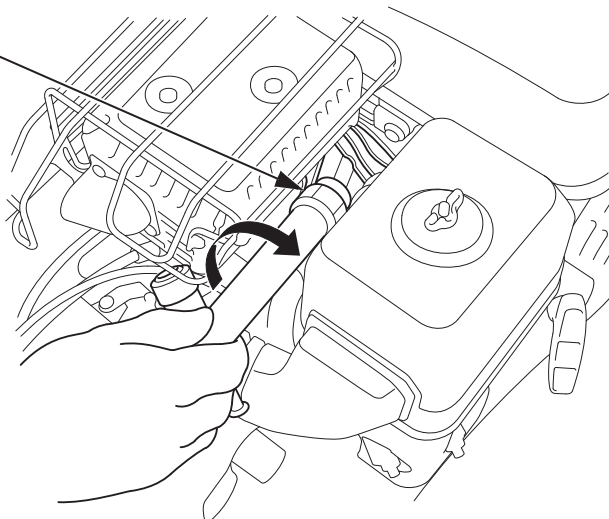
2. Controllare visivamente la candela. Sostituirla se l'isolatore è rotto o scheggiato. Se si riutilizza la candela, pulirla con una spazzola metallica.

3. Misurare la distanza tra gli elettrodi con uno spessimetro. Se necessario, correggerla piegando l'elettrodo laterale. La distanza deve essere:  
0.7–0.8 mm



- 
4. Controllare che la rondella della candela sia in buone condizioni e avvitare manualmente la candela per assicurarsi che l'avvitamento sia corretto.

CHIAVE PER CANDELA



5. Quando la candela è in sede, serrare con una chiave per candela per comprimere la rondella.

**NOTA:**

Dopo averla posizionata manualmente, serrare la nuova candela di 1/2 giro con la chiave per comprimere la rondella. Se si riutilizza la candela, è sufficiente serrare di 1/8-1/4 di giro.

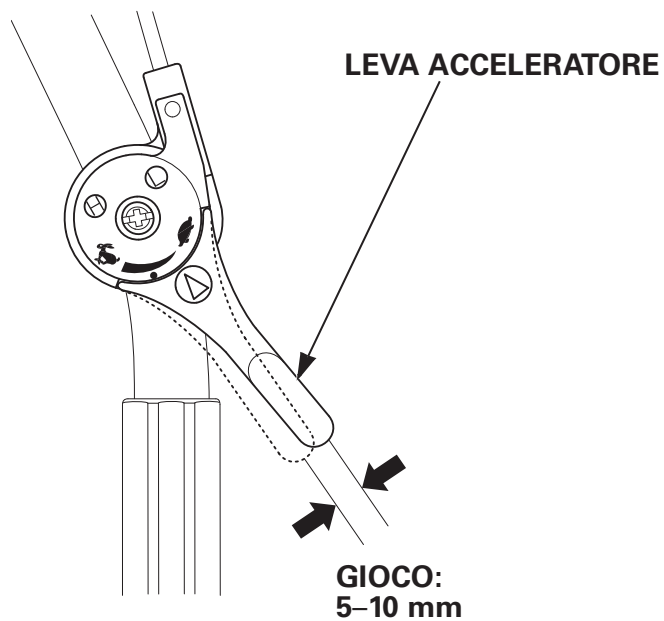
**AVVERTENZA:**

**La candela deve essere saldamente serrata. Una candela non correttamente serrata può surriscaldarsi e danneggiare il motore. Non utilizzare mai una candela con valori limite di riscaldamento non adeguati.**

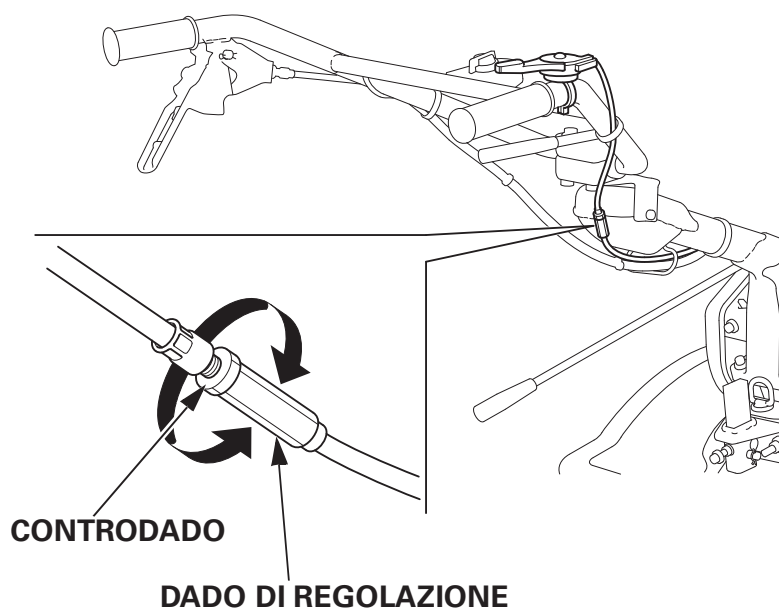
## 5. Regolazione del cavo dell'acceleratore

Misurare il gioco in corrispondenza dell'estremità della leva.

Gioco: 5–10 mm



Se il gioco non è corretto, allentare il controdado e ruotare il bullone di registro fino ad ottenere il gioco corretto.

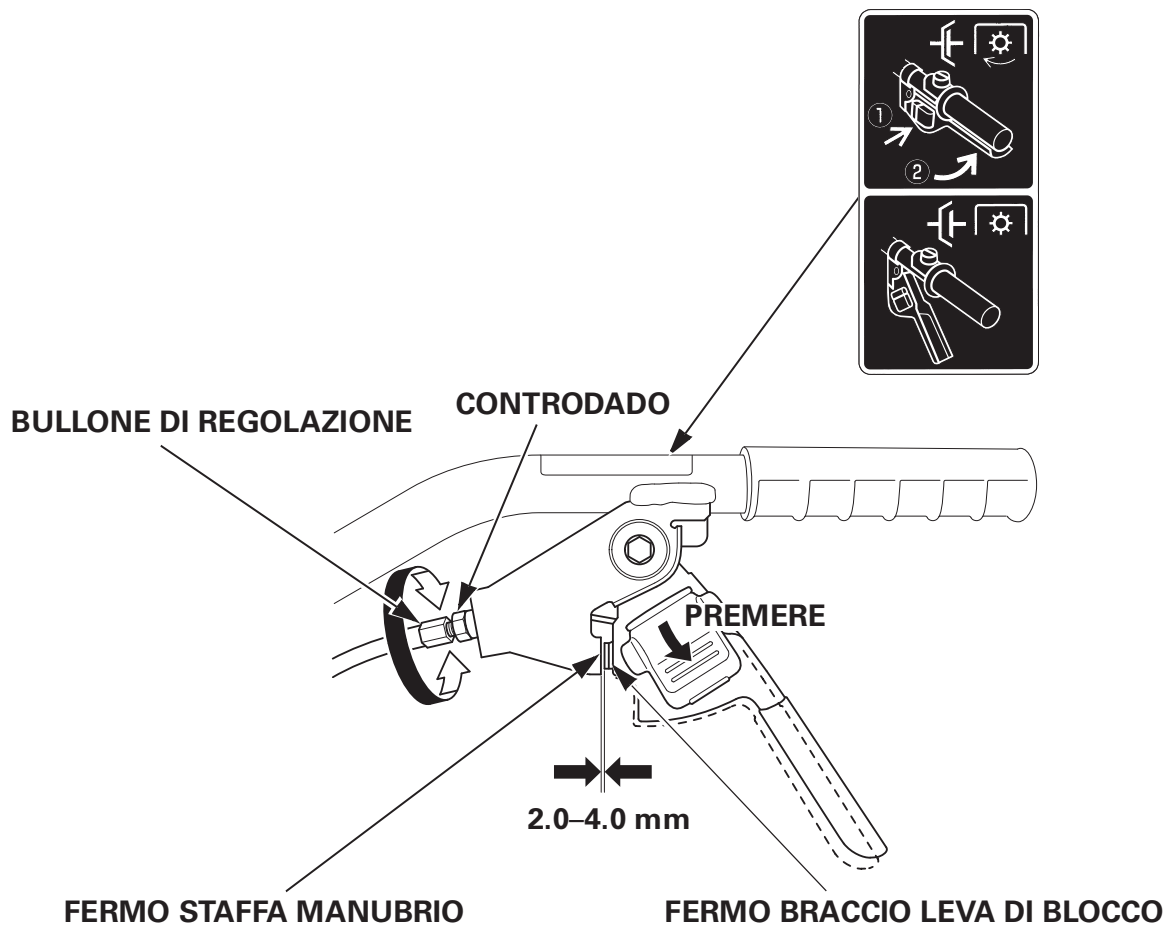


## 6. Regolazione del cavo della frizione

Con la frizione disinnestata, misurare il gioco tra il fermo della staffa del manubrio e il fermo del braccio della leva di blocco.

Gioco: 2.0-4.0 mm

Se il gioco non è corretto, allentare il controdado e ruotare il bullone di registro fino ad ottenere il gioco corretto. Dopo la regolazione, stringere saldamente il controdado.





## 7. Pulizia della leva della frizione

Se la leva di blocco e la leva della frizione non funzionano regolarmente, o se la frizione si innesta premendo la leva della frizione senza premere la leva di blocco, smontare e pulire la leva della frizione.

### NOTA:

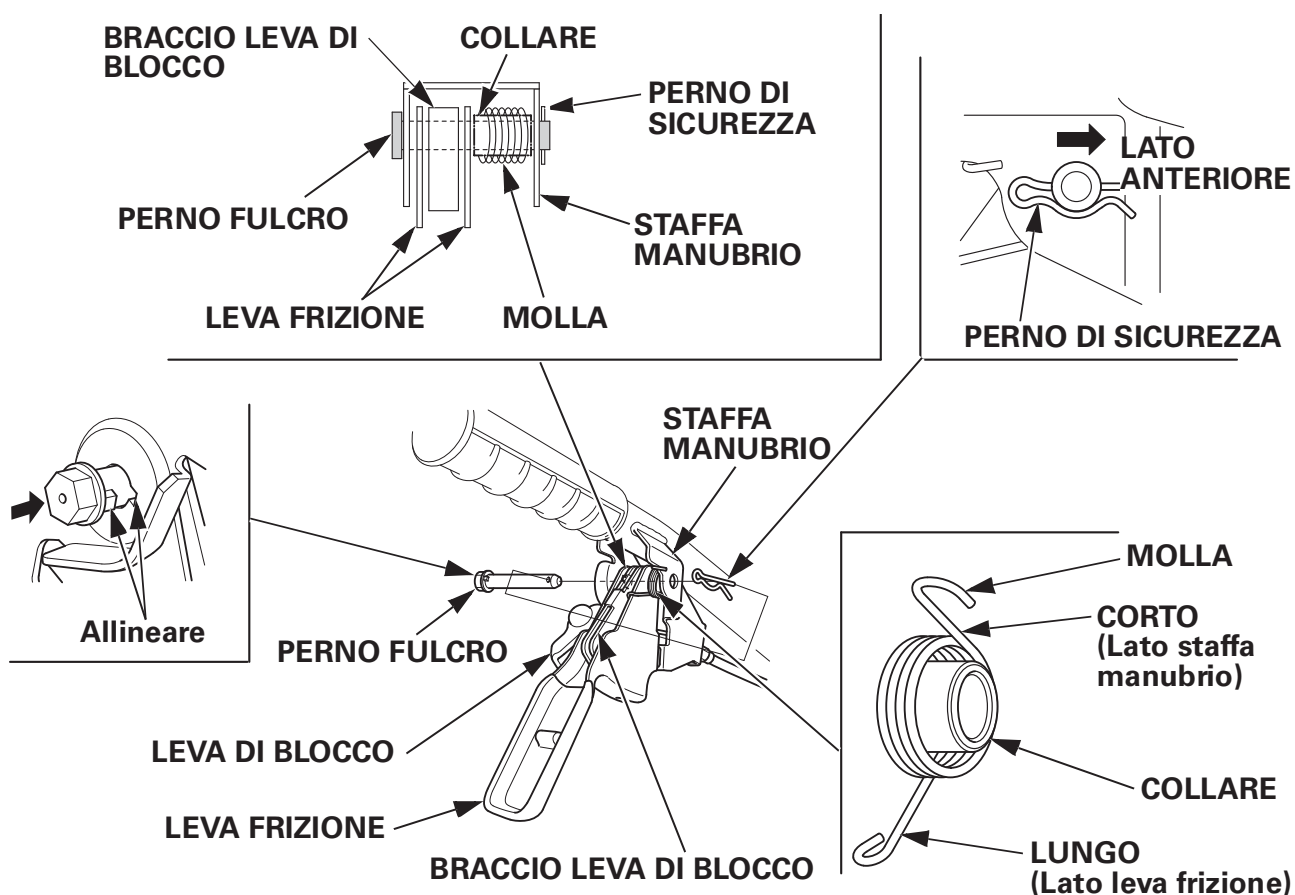
La molla e il collare si staccano quando si smonta la leva della frizione. La molla e il collare sono posizionati tra il lato destro della leva della frizione e la staffa del manubrio.

1. Estrarre il perno di sicurezza dal perno del fulcro della leva.
2. Tenendo ferma la leva della frizione, la molla e il collare, estrarre il perno del fulcro della leva.  
Sganciare la leva della frizione, la molla e il collare.
3. Rimuovere lo sporco e i corpi estranei.  
Pulire il fulcro della leva della frizione e il braccio della leva di blocco.

### NOTA:

Non applicare olio o liquido detergente sulla leva della frizione, sulla leva di blocco e sul braccio della leva di blocco.

L'olio o il liquido detergente attraggono sporco e corpi estranei.



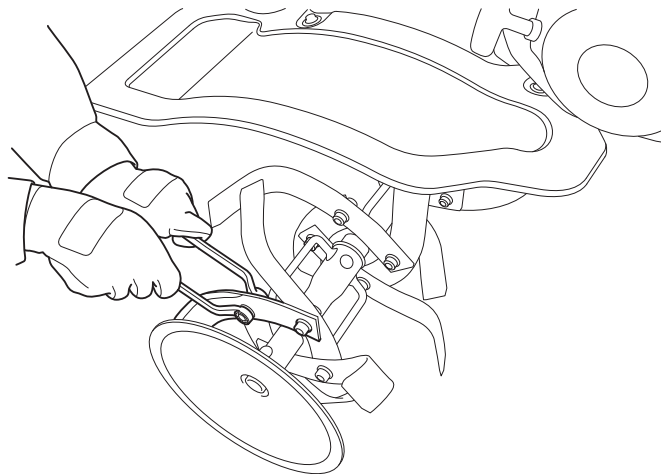
- 
4. Installare il collare sulla molla e posizionarli tra il lato destro della leva della frizione e la staffa del manubrio (vedere pagina 50).  
Con la molla e il collare sistemati in questa posizione, inserire il perno del fulcro.
  5. Allineare la sporgenza del perno del fulcro della leva con la scanalatura sul lato del foro della staffa del manubrio, quindi posizionare il perno di sicurezza nella direzione indicata in figura (vedere pagina 50).
  6. Controllare che la leva di blocco e la leva della frizione funzionino regolarmente.  
Se la leva di blocco e la leva della frizione non funzionano regolarmente, o se la frizione si innesta premendo la leva della frizione senza premere la leva di blocco, far controllare la motozappa da un concessionario Honda autorizzato.

---

## 8. Controllo e sostituzione delle lame della fresa (tipo SER e DER)

### ▲ATTENZIONE

- **Indossare guanti robusti per proteggere le mani.**
- **Eseguire l'intervento di controllo o di sostituzione con la motozappa su una superficie piana e il motore spento. Scollegare il cappuccio della candela per evitare avviamenti accidentali.**



Prima di iniziare interventi di controllo o sostituzione, portare la ruota anteriore (tipo DER) in posizione ABBASSATA (vedere pagina 34), posizionare la motozappa su una superficie piana per impedirne il movimento.

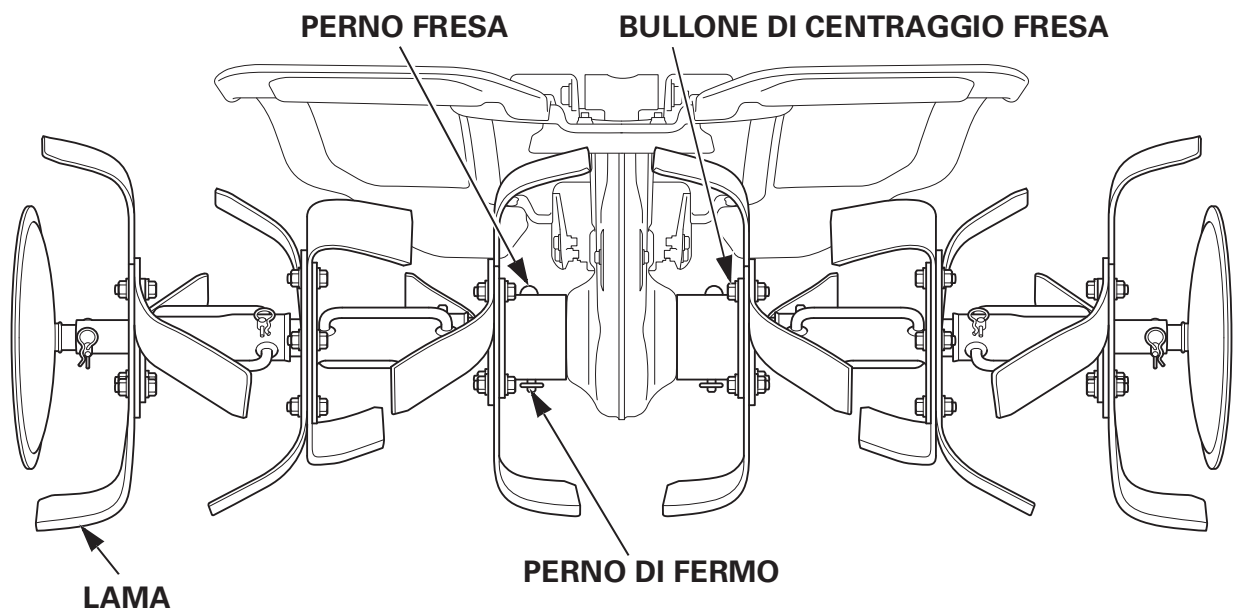
Ruotare il rubinetto del carburante in posizione OFF.

## Controllo:

1. Controllare se le lame sono danneggiate, piegate o allentate. Se vengono rilevate anomalie, serrare o sostituire il componente danneggiato.
2. Controllare se il bullone di centraggio della fresa è allentato e serrare se necessario.
3. Controllare se i perni della fresa e i perni di fermo sono danneggiati o mancanti, e sostituirli se necessario (vedere pagine 56 e 57)

## NOTA:

Utilizzare componenti originali Honda o equivalenti per la sostituzione delle lame della fresa.

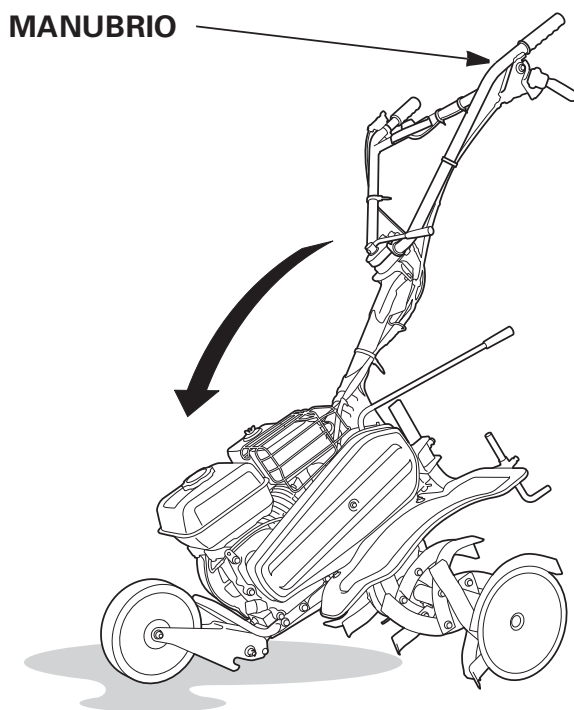


## Rimozione della fresa e del disco laterale:

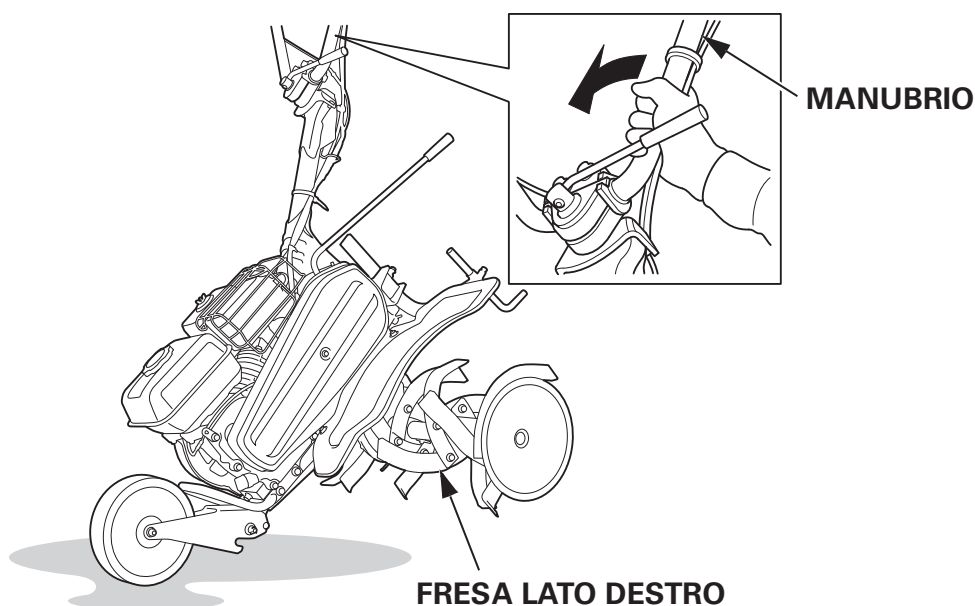
- Tipo DER:

Portare la ruota anteriore in posizione SOLLEVATA (vedere pagina 34).

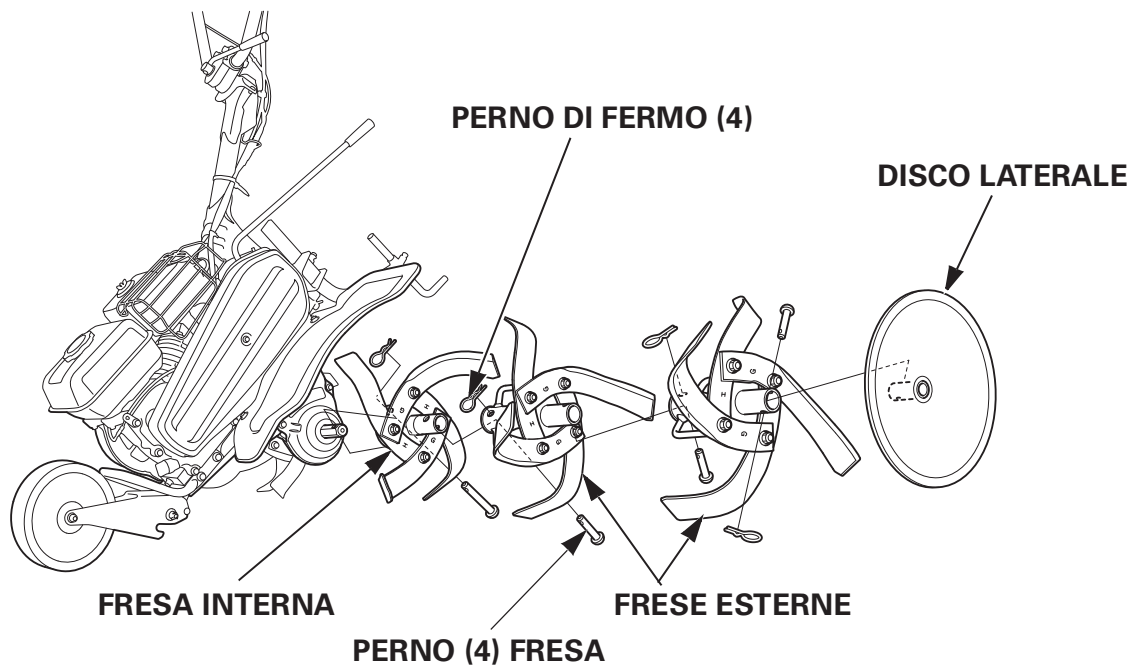
1. Sollevare il manubrio mantenendolo in modo che la ruota anteriore (tipo DER) o l'estremità anteriore della motozappa rimangano in contatto con terreno.



2. Stringere il manubrio e premerlo in direzione della freccia in modo da sollevare da terra la fresa più vicina. Mantenere questa condizione. Non tirare i cavi mentre si stringe il manubrio. Sollevare la motozappa con attenzione. La benzina può fuoriuscire se l'angolo di inclinazione è superiore a quanto necessario.



3. Rimuovere i perni di fermo e i perni della fresa, quindi rimuovere disco laterale e le frese esterne.
4. Rimuovere il perno di fermo e il perno della fresa, quindi rimuovere la fresa interna.
5. La fresa e disco laterale sul lato opposto sono simili.

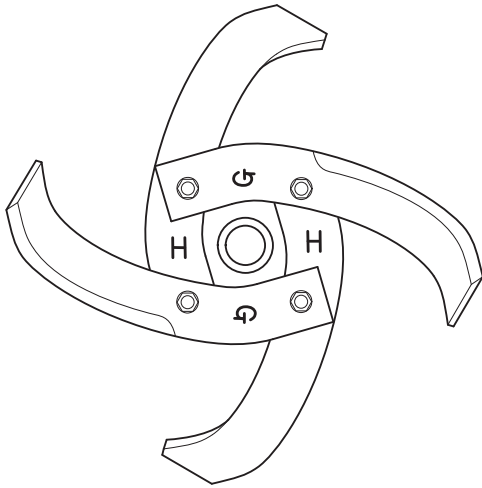


## Installazione della fresa e del disco laterale:

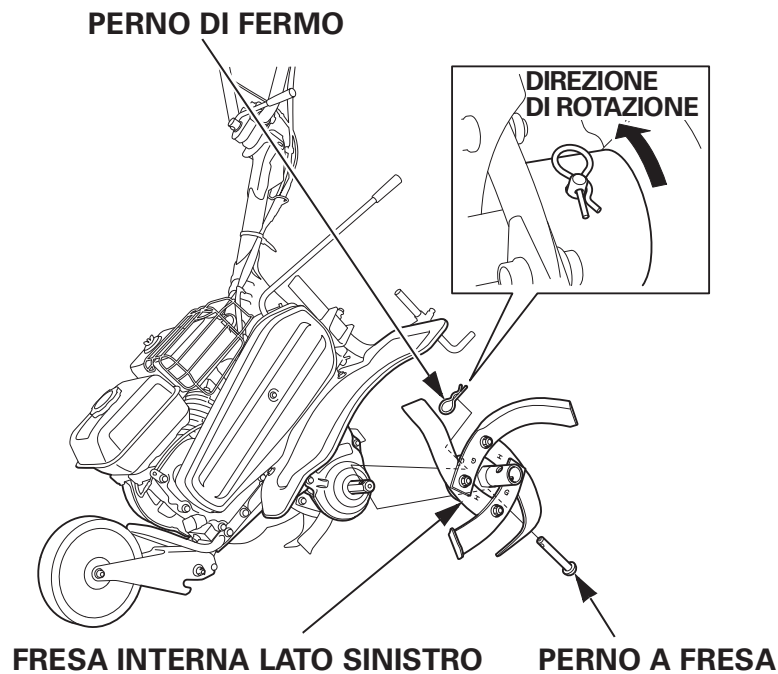
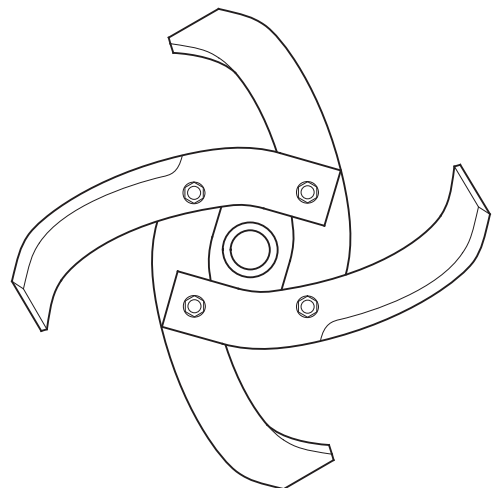
1. Installare la fresa interna sull'asse.

- I contrassegni "G" e "H" sulla fresa interna lato sinistro sono visibili.
- I contrassegni "G" e "H" sulla fresa interna lato destro non sono visibili.

**FRESA INTERNA LATO SINISTRO**  
(Vista dal lato fresa esterna)

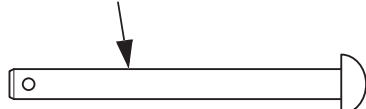


**FRESA INTERNA LATO DESTRO**  
(Vista dal lato fresa esterna)

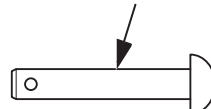


2. Inserire il perno A della fresa e posizionare il perno di fermo.

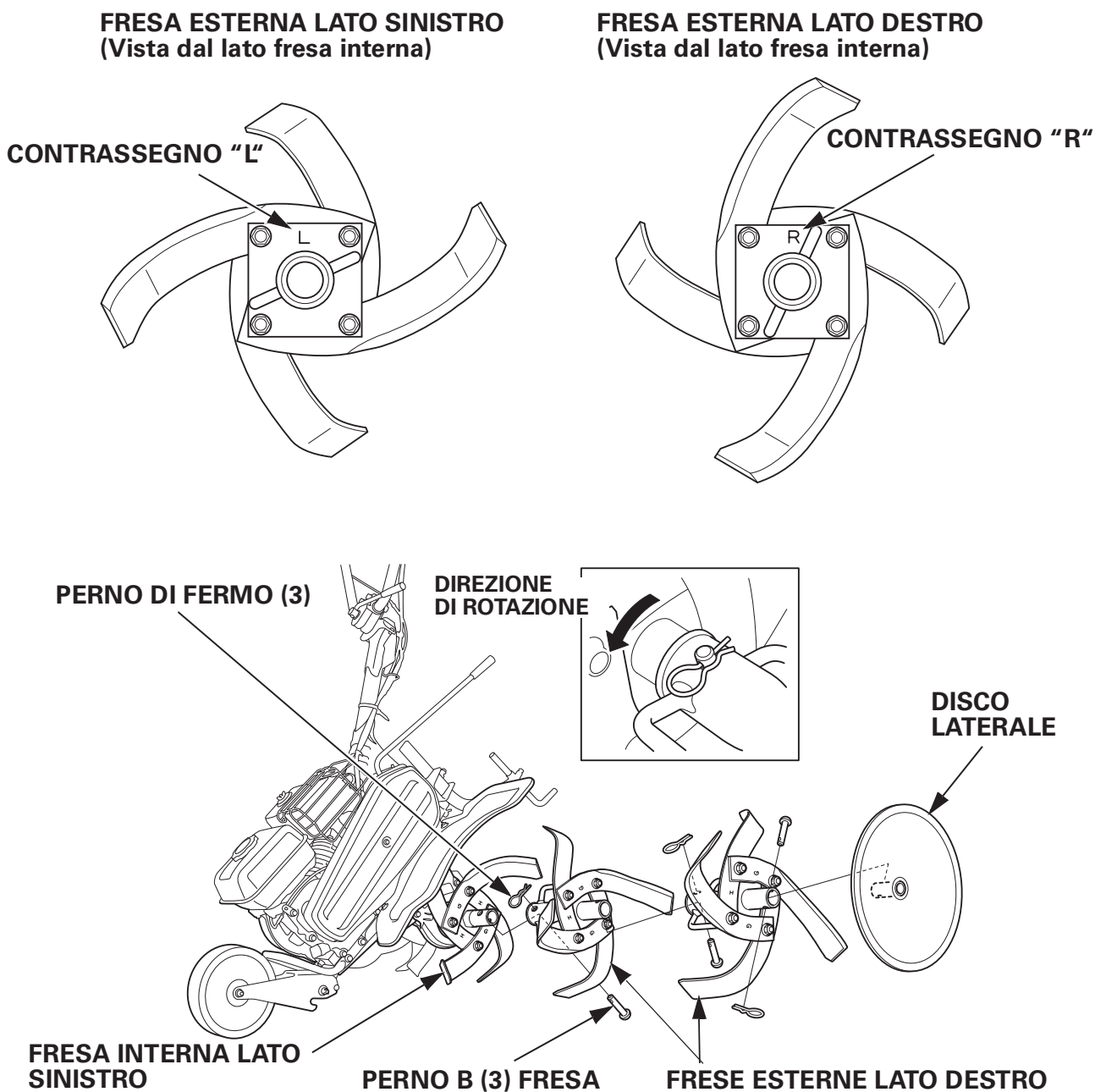
**PERNO A FRESA (LUNGO)**



**PERNO B FRESA (CORTO)**



3. Installare le frese esterne con il contrassegno "R" (fresa destra) o il contrassegno "L" (fresa sinistra) rivolti verso la fresa interna come indicato in figura.
4. Inserire i perni B della fresa e posizionare i perni di fermo.
5. Installare il disco laterale, quindi inserire il perno B della fresa e posizionare il perno di fermo.
6. La fresa e disco laterale sul lato opposto sono simili.



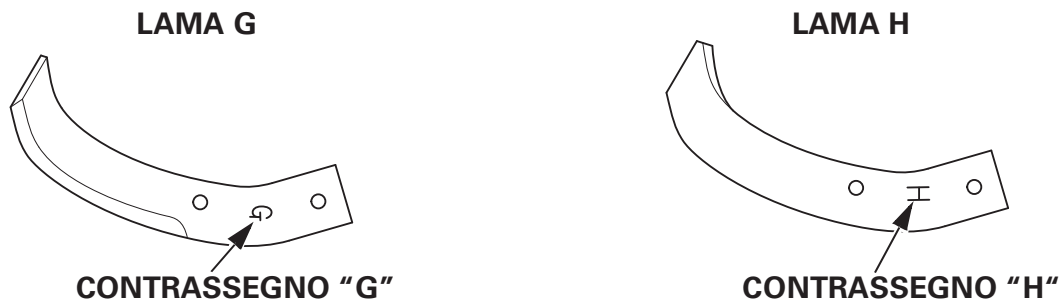


## Installazione delle lame:

Installare correttamente le lame.

Una disposizione non corretta o la direzione di installazione non corretta delle lame causa vibrazioni e rallenta la corretta zappatura.

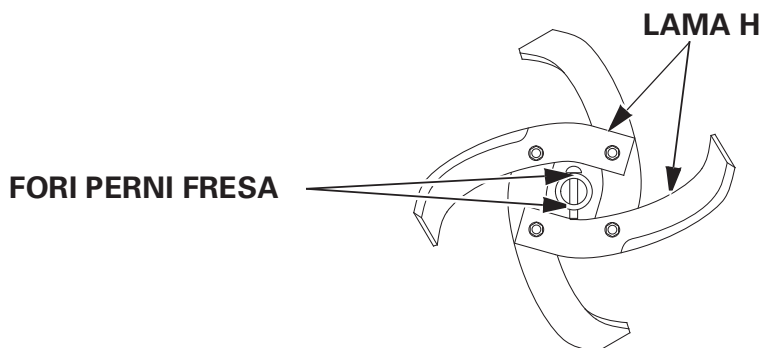
Sono forniti due tipi di lame (G e H). La lama G è contraddistinta dal simbolo "G" e la lama H dal contrassegno "H", incisi sulla superficie.



### • Lato destro:

Installare le lame della fresa esterna e le lame della fresa interna lato destro con i contrassegni "G" e "H" rivolti verso la scatola del cambio. (I contrassegni "G" e "H" non saranno visibili dall'esterno.)

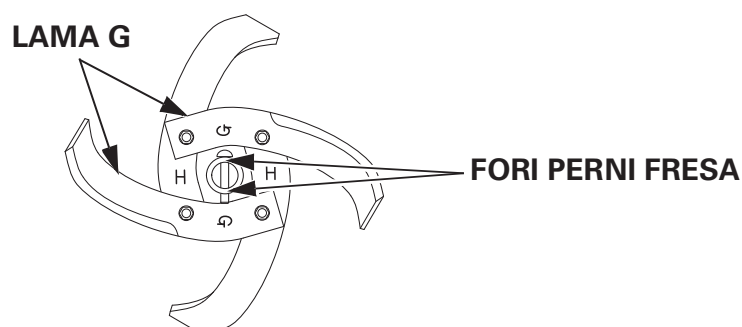
La lama con il contrassegno "H" deve essere allineata con i fori dei perni della fresa.



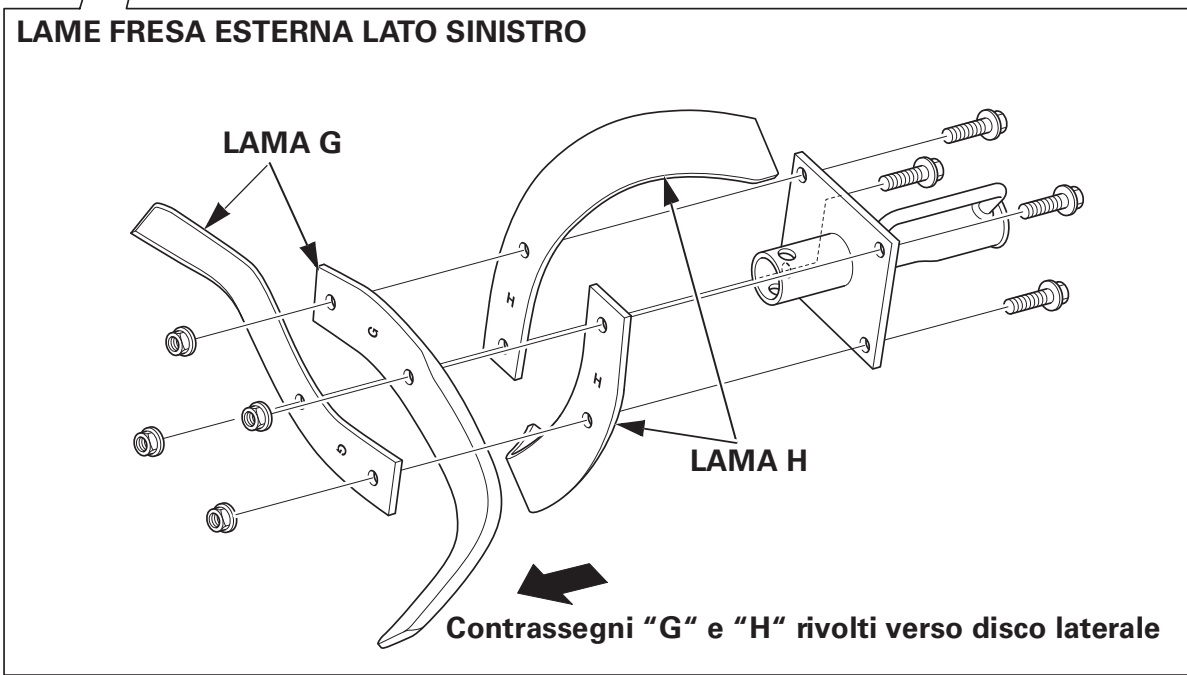
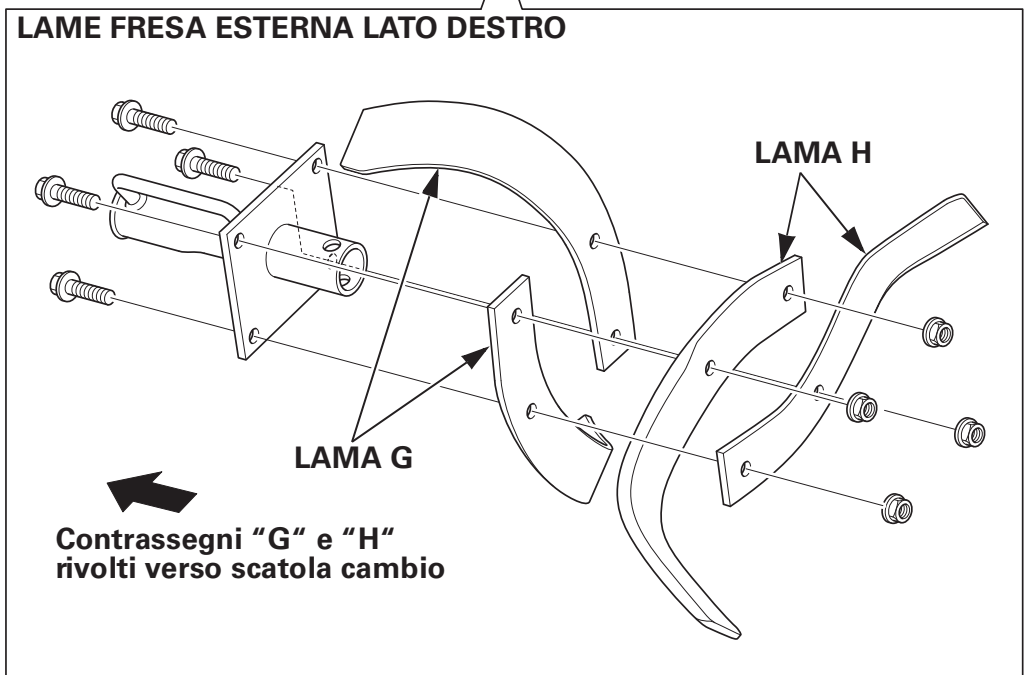
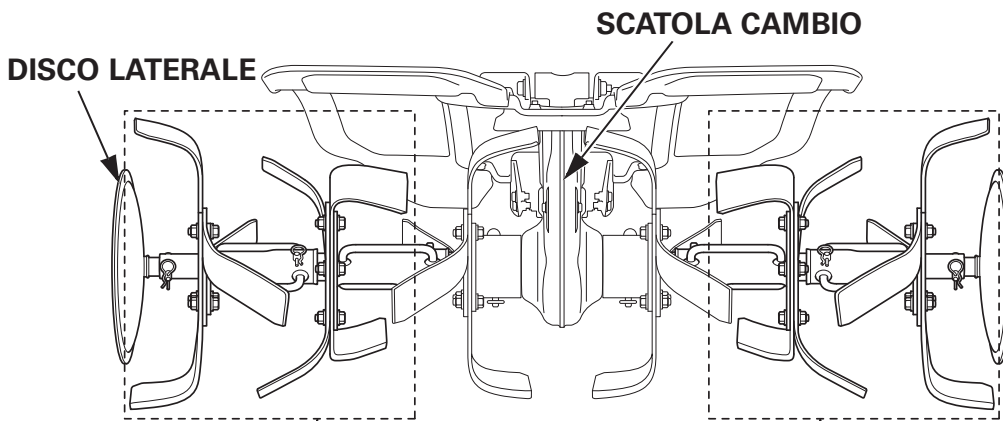
### • Lato sinistro:

Installare le lame della fresa esterna e le lame della fresa interna lato sinistro con i contrassegni "G" e "H" rivolti verso il disco laterale.

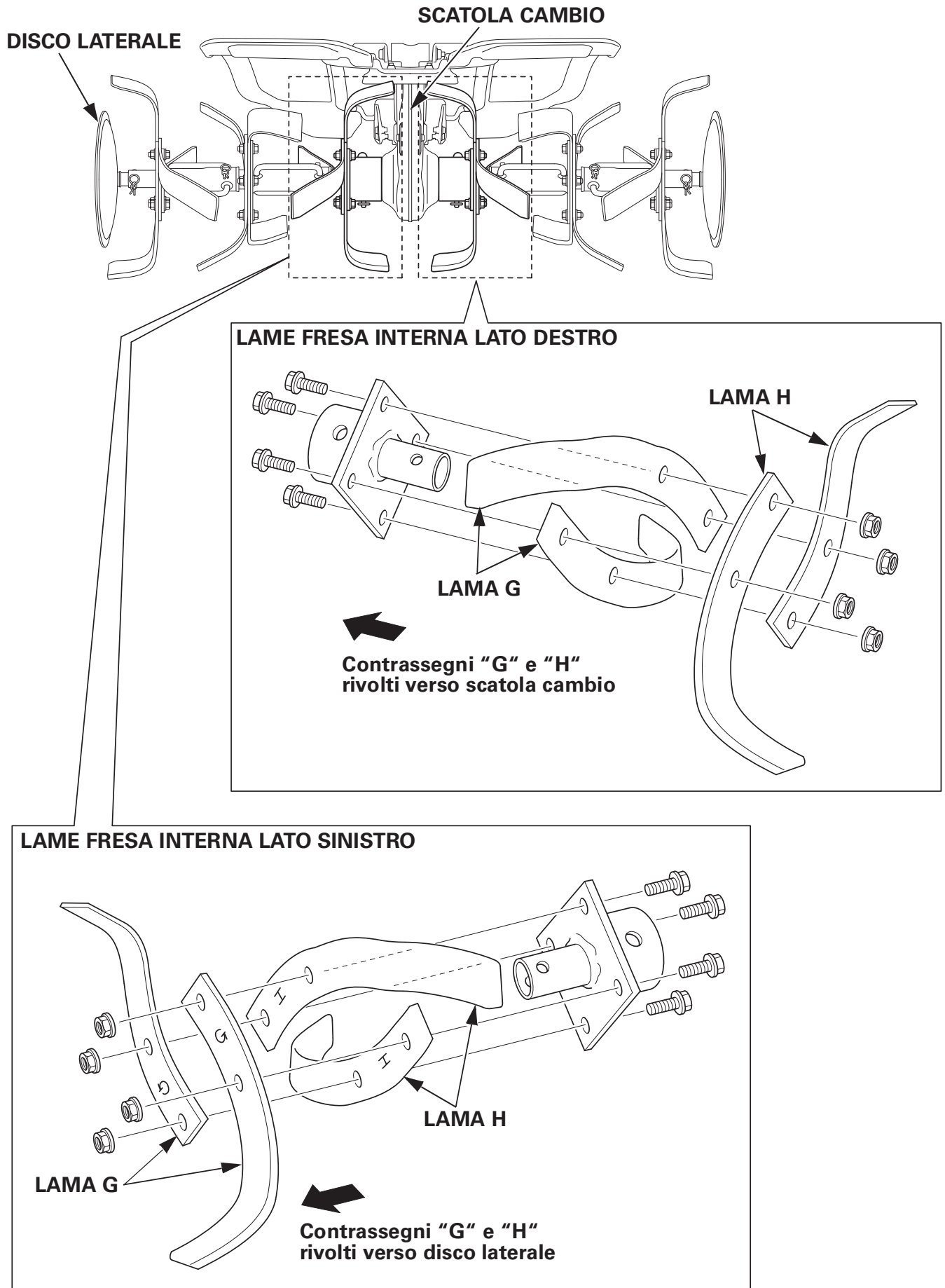
La lama con il contrassegno "G" deve essere allineata con i fori dei perni della fresa.



• **Lame della fresa esterna**



• **Lame della fresa interna**



## 9. TRASPORTO/RIMESSAGGIO

### ▲ATTENZIONE

Per trasportare la motozappa, spostare il rubinetto del carburante su OFF e non inclinare la motozappa per evitare la fuoriuscita del carburante. I vapori del carburante o le fuoriuscite di carburante potrebbero prendere fuoco.

Prima del rimessaggio dell'unità per un periodo di tempo prolungato:

1. Verificare che l'area di rimessaggio sia priva di umidità e sporco in eccesso.
2. Scaricare il carburante:

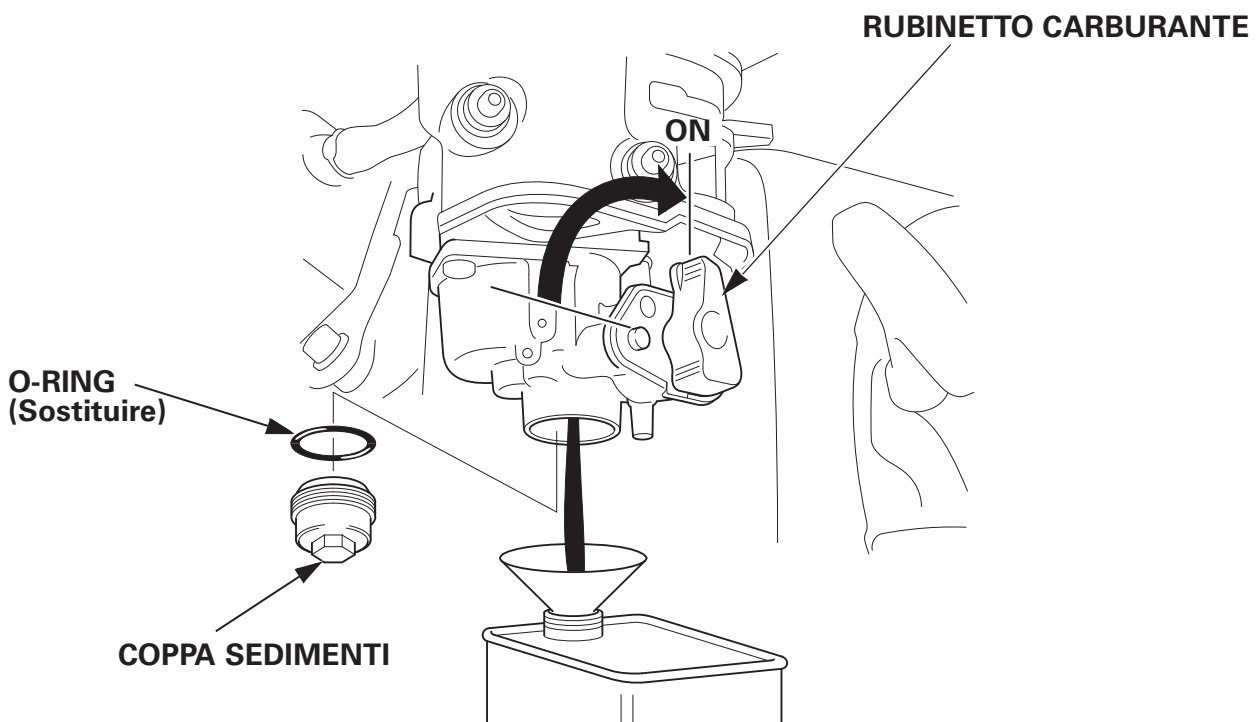
### ▲ATTENZIONE

In determinate condizioni, la benzina è infiammabile ed esplosiva. Non fumare o non consentire fiamme o scintille vicino alla macchina mentre si scarica il carburante.

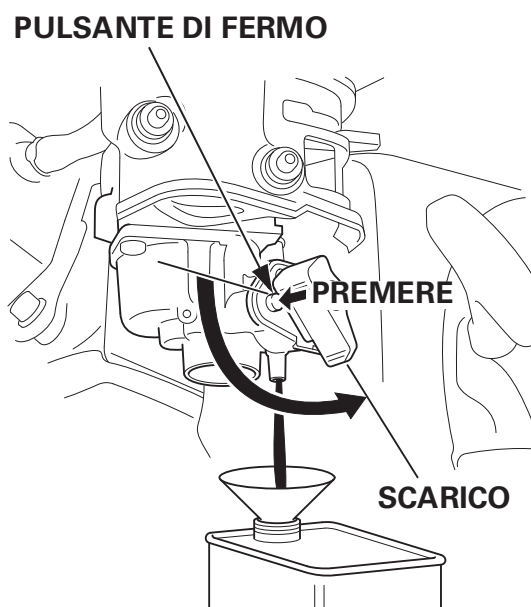
- a. Posizionare un contenitore per benzina adeguato sotto il carburatore e utilizzare un imbuto per evitare la fuoriuscita di carburante.

Per scaricare la benzina solo dal carburatore, posizionare un contenitore adeguato sotto il carburatore e seguire le procedure "e." W "f."

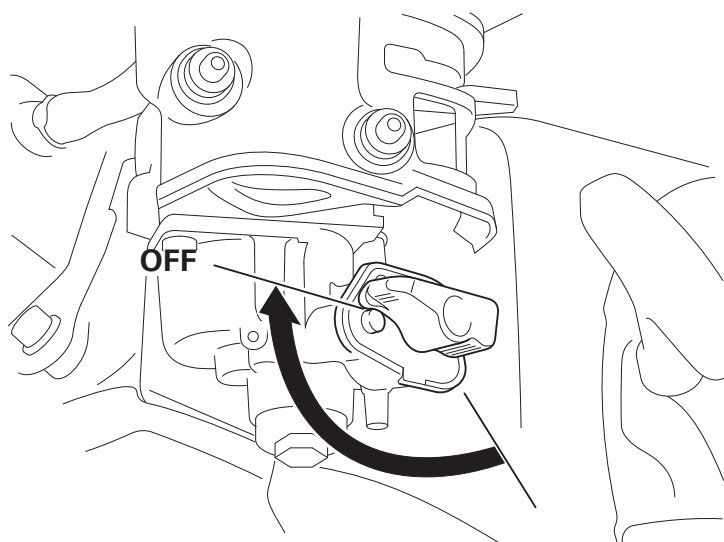
- b. Rimuovere la coppa sedimenti e l'O-ring.
- c. Ruotare il rubinetto del carburante in posizione ON. Scaricare la benzina in un recipiente adeguato.



- d. Lasciare scaricare completamente la benzina e ruotare il rubinetto del carburante in posizione OFF.
- e. Ruotare il rubinetto del carburante in posizione SCARICO mantenendo il pulsante di fermo premuto. Scaricare la benzina in un recipiente adeguato.



- f. Lasciare scaricare completamente la benzina. Ruotare il rubinetto del carburante in posizione OFF in modo che sia a contatto con il pulsante di fermo.



- g. Installare un nuovo O-ring e la coppa sedimenti. Serrare saldamente la coppa sedimenti.

- 
3. Tirare la maniglia di avviamento finché non si avverte resistenza. Continuare a tirare finché la tacca sulle pulegge di avviamento si allinea con i fori sull'avviamento a strappo. A questo punto, le valvole di aspirazione e di scarico sono chiuse per proteggere il motore dalla corrosione interna.
  4. Sostituire l'olio motore.
  5. Coprire la motozappa con un telo di plastica.

Non posizionare la motozappa con i manubri sul terreno. In questo modo l'olio entra nel cilindro oppure si verifica la fuoriuscita di carburante.

## 10. RICERCA GUASTI

---

Se il motore non si avvia:

1. C'è benzina sufficiente?
2. Il rubinetto del carburante è in posizione ON?
3. L'interruttore del motore è in posizione ON?
4. La benzina raggiunge il carburatore?

Per controllare, ruotare il rubinetto del carburante in posizione SCARICO (vedere pagina 62). Il carburante deve fuoriuscire liberamente. Ruotare il rubinetto del carburante in posizione OFF.

### **▲ATTENZIONE**

**Se fuoriesce del carburante, verificare che l'area sia asciutta prima di avviare il motore. Il carburante fuoriuscito o i vapori del carburante potrebbero incendiarsi.**

5. La candela è in buone condizioni?

Rimuovere e controllare la candela. Pulire, regolare nuovamente la distanza tra gli elettrodi e asciugare la candela. Se necessario, sostituire.

6. Se il motore non si avvia, far controllare la motozappa da un concessionario Honda autorizzato.

# 11. SPECIFICHE TECNICHE

Modello	FJ500-SE	FJ500-SER	FJ500-DE	FJ500-DER
Codice descrittivo	FAAC			

## Dimensioni e peso

Modello	FJ500-SE	FJ500-SER	FJ500-DE	FJ500-DER
Lunghezza	1.395 mm		1.435 mm	
Larghezza	610 mm	925 mm	610 mm	925 mm
Altezza	990 mm		1.015 mm	
Massa a secco [Peso]	45 kg	57 kg	50 kg	62 kg

## Motore

Modello	GX160
Tipo	4 tempi, monocilindrico, valvole in testa, raffreddamento a circolazione forzata d'aria
Cilindrata	163 cm <sup>3</sup>
Alesaggio × corsa	68.0 × 45.0 mm
Sistema di	Magnetico a transistor
Candela	BPR5ES (NGK), W16EPR-U (DENSO)
Capacità olio motore	0.58 L
Capacità serbatoio	2.4 L

## Trasmissione

Modello	FJ500-SE	FJ500-SER	FJ500-DE	FJ500-DER
Frizione	Tipo di tensione cinghia			
Trasmissione	Marcia avanti 1		Marcia avanti 2	
Capacità olio trasmissione	0.95 L			



## Rumore e vibrazioni

Tipo	SE, SER	DE, DER
Livello di pressione sonora all'orecchio dell'operatore (EN ISO 11200: 1995)	81 dB (A)	81 dB (A)
Incertezza	2 dB (A)	2 dB (A)
Livello di potenza sonora misurato (Fare riferimento alla motozappa di 2000/14/CE, 2005/88/CE)	96 dB (A)	96 dB (A)
Incertezza	2 dB (A)	2 dB (A)
Livello di vibrazione mano-braccio (EN1033: 1995)	5.8 m/s <sup>2</sup>	7.8 m/s <sup>2</sup>
Incertezza (EN12096: 1997 Allegato D)	2.3 m/s <sup>2</sup>	3.1 m/s <sup>2</sup>

NOTA: Le specifiche possono essere soggette a modifiche senza preavviso.





# **MAJOR Honda DISTRIBUTOR ADDRESSES**

For further information, please contact Honda Customer Information Centre at the following address or telephone number:

## **ADRESSES DES PRINCIPAUX DISTRIBUTEURS Honda**

Pour plus d'informations, s'adresser au Centre d'informations clients Honda à l'adresse ou numéro de téléphone suivants:

## **ADRESSEN DER HAUPT-Honda-VERTEILER**

Weitere Informationen erhalten Sie gerne vom Honda-Kundeninformationszentrum unter der folgenden Adresse oder Telefonnummer:

## **DIRECCIONES DE LOS PRINCIPALES CONCESIONARIOS Honda**

Para obtener más información, póngase en contacto con el Centro de información para clientes Honda en la dirección o número de teléfono siguientes:

## **INDIRIZZI DEI PRINCIPALI DISTRIBUTORI Honda**

Per ulteriori informazioni rivolgersi al Centro informazioni clienti Honda al seguente indirizzo o numero telefonico:

## **AUSTRIA**

**Honda Austria GmbH**

Hondastraße 1

2351 Wiener Neudorf

Tel. : +43 (0)2236 690 0

Fax : +43 (0)2236 690 480

<http://www.honda.at>

✉ [HondaPP@honda.co.at](mailto:HondaPP@honda.co.at)

## **BALTIC STATES (Estonia/Latvia/ Lithuania)**

**Honda Motor Europe Ltd.**

**Estonian Branch**

Tulika 15/17

10613 Tallinn

Tel. : +372 6801 300

Fax : +372 6801 301

✉ [honda.baltic@honda-eu.com](mailto:honda.baltic@honda-eu.com)

## **BELGIUM**

**Honda Belgium**

Doornveld 180-184

1731 Zellik

Tel. : +32 2620 10 00

Fax : +32 2620 10 01

<http://www.honda.be>

✉ [BH\\_PE@HONDA-EU.COM](mailto:BH_PE@HONDA-EU.COM)

## **BULGARIA**

**Kirov Ltd.**

49 Tsaritsa Yoana blvd

1324 Sofia

Tel. : +359 2 93 30 892

Fax : +359 2 93 30 814

<http://www.kirov.net>

✉ [honda@kirov.net](mailto:honda@kirov.net)

## **CROATIA**

**Hongoldonia d.o.o.**

Vrbaska 1c

31000 Osijek

Tel. : +38531320420

Fax : +38531320429

<http://www.hongoldonia.hr>

✉ [prodaja@hongoldonia.hr](mailto:prodaja@hongoldonia.hr)

## **CYPRUS**

**Alexander Dimitriou & Sons  
Ltd.**

162, Yiannos Kranidiotis

Avenue

2235 Latsia, Nicosia

Tel. : +357 22 715 300

Fax : +357 22 715 400

## **CZECH REPUBLIC**

**BG Technik cs, a.s.**

U Zavodiste 251/8

15900 Prague 5 - Velka

Chuchle

Tel. : +420 2 838 70 850

Fax : +420 2 667 111 45

<http://www.honda-stroje.cz>

## **DENMARK**

**Tima Products A/S**

Tårnfalkevej 16

2650 Hvidovre

Tel. : +45 36 34 25 50

Fax : +45 36 77 16 30

<http://www.tima.dk>

## **FINLAND**

**OY Brandt AB.**

Tuupakantie 7B

01740 Vantaa

Tel. : +358 207757200

Fax : +358 9 878 5276

<http://www.brandt.fi>

## **FRANCE**

**Honda Relations Clients**

TSA 80627

45146 St Jean de la Ruelle Cedex

Tel. : 02 38 81 33 90

Fax : 02 38 81 33 91

<http://www.honda-fr.com>

✉ [espaceclient@honda-eu.com](mailto:espaceclient@honda-eu.com)

## **GERMANY**

**Honda Deutschland  
GmbH**

Sprendlinger Landstraße 166

63069 Offenbach am Main

Tel. : 01 80 5/20 20 90

Fax : +49 69 8320 20

<http://www.honda.de>

✉ [info@post.honda.de](mailto:info@post.honda.de)

## **GREECE**

**Saracakis Brothers S.A.**

71 Leoforos Athinon

10173 Athens

Tel. : +30 210 3497809

Fax : +30 210 3467329

<http://www.honda.gr>

✉ [info@saracakis.gr](mailto:info@saracakis.gr)

## HUNGARY

**Motor Pedo Co., Ltd.**

Kamaraerdei ut 3.

2040 Budaors

Tel. : +36 23 444 971

Fax : +36 23 444 972

<http://www.hondakisgepek.hu>

✉ [info@hondakisgepek.hu](mailto:info@hondakisgepek.hu)

## ICELAND

**Bernhard ehf.**

Vatnagardar 24-26

104 Reykjavik

Tel. : +354 520 1100

Fax : +354 520 1101

<http://www.honda.is>

## IRELAND

**Two Wheels Ltd**

M50 Business Park, Ballymount

Dublin 12

Tel. : +353 1 4381900

Fax : +353 1 4607851

<http://www.hondaireland.ie>

✉ [Service@hondaireland.ie](mailto:Service@hondaireland.ie)

## ITALY

**Honda Italia Industriale S.p.A.**

Via della Cecchignola, 13

00143 Roma

Tel. : +848 846 632

Fax : +39 065 4928 400

<http://www.hondaitalia.com>

✉ [info.power@honda-eu.com](mailto:info.power@honda-eu.com)

## MALTA

**The Associated Motors**

**Company Ltd.**

New Street in San Gwakkinn Road

Mriehel Bypass, Mriehel QRM17

Tel. : +356 21 498 561

Fax : +356 21 480 150

## NETHERLANDS

**Honda Nederland B.V.**

Afd, Power Equipment

Capronilaan 1

1119 NN Schiphol-Rijk

Tel. : +31 20 7070000

Fax : +31 20 7070001

<http://www.honda.nl>

## NORWAY

**Berema AS**

P.O. Box 454

1401 Ski

Tel. : +47 64 86 05 00

Fax : +47 64 86 05 49

<http://www.berema.no>

✉ [berema@berema.no](mailto:berema@berema.no)

## POLAND

**Aries Power Equipment Sp. z o.o.**

ul. Wroclawska 25

01-493 Warszawa

Tel. : +48 (22) 861 43 01

Fax : +48 (22) 861 43 02

<http://www.ariespower.pl>

<http://www.mojahonda.pl>

✉ [info@ariespower.pl](mailto:info@ariespower.pl)

## PORTUGAL

**Honda Portugal, S.A.**

Rua Fontes Pereira de Melo 16

Abrunheira, 2714-506 Sintra

Tel. : +351 21 915 53 33

Fax : +351 21 915 23 54

<http://www.honda.pt>

✉ [honda.produtos@honda-eu.com](mailto:honda.produtos@honda-eu.com)

com

## REPUBLIC OF BELARUS

**Scanlink Ltd.**

Kozlova Drive, 9

220037 Minsk

Tel. : +375 172 999090

Fax : +375 172 999900

<http://www.hondapower.by>

## ROMANIA

**Hit Power Motor Srl**

str. Vasile Stroescu nr. 12,

Camera 6, Sector 2

021374 Bucuresti

Tel. : +40 21 637 04 58

Fax : +40 21 637 04 78

<http://www.honda.ro>

✉ [hit\\_power@honda.ro](mailto:hit_power@honda.ro)

## RUSSIA

**Honda Motor RUS LLC**

1, Pridirizhnaya Street, Sharapovo  
settlement, Naro-Fominsky district,

Moscow Region, 143350 Russia

Tel. : +7 (495) 745 20-80

Fax : +7 (495) 745 20 81

<http://www.honda.co.ru>

✉ [postoffice@honda.co.ru](mailto:postoffice@honda.co.ru)

## **SERBIA & MONTENEGRO**

**BPP Group d.o.o**

Generala Horvatovica 68

11000 Belgrade

Tel. : +381 11 3820 295

Fax : +381 11 3820 296

<http://www.hondasrbija.co.rs>

✉ [honda@basis.co.rs](mailto:honda@basis.co.rs)

## **SLOVAK REPUBLIC**

**Honda Slovakia, spol. s r.o.**

Prievozká 6

821 09 Bratislava

Tel. : +421 2 32131112

Fax : +421 2 32131111

<http://www.honda.sk>

## **SLOVENIA**

**AS Domzale Moto Center D.O.O.**

Blatnica 3A

1236 Trzin

Tel. : +386 1 562 22 62

Fax : +386 1 562 37 05

[www.honda-as.com](http://www.honda-as.com)

✉ [infomacije@honda-as.com](mailto:infomacije@honda-as.com)

## **SPAIN & Las Palmas province (Canary Islands)**

**Greens Power Products, S.L.**

Poligono Industrial Congost -

Av Ramon Ciurans n°2

08530 La Garriga - Barcelona

Tel. : +34 93 860 50 25

Fax : +34 93 871 81 80

<http://www.hondaencasa.com>

## **Tenerife province (Canary Islands)**

**Automocion Canarias S.A.**

Carretera General del Sur, KM. 8,8

38107 Santa Cruz de Tenerife

Tel. : +34 (922) 620 617

Fax : +34 (922) 618 042

<http://www.aucasa.com>

✉ [ventas@aucasa.com](mailto:ventas@aucasa.com)

✉ [taller@aucasa.com](mailto:taller@aucasa.com)

## **SWEDEN**

**Honda Nordic AB**

Box 31002 - Långhusgatan 4

215 86 Malmö

Tel. : +46 (0)40 600 23 00

Fax : +46 (0)40 600 23 19

<http://www.honda.se>

✉ [hpesinfo@honda-eu.com](mailto:hpesinfo@honda-eu.com)

## **SWITZERLAND**

**Honda Suisse S.A.**

10, Route des Moulières

1214 Vernier - Genève

Tel. : +41 (0)22 939 09 09

Fax : +41 (0)22 939 09 97

<http://www.honda.ch>

## **TURKEY**

**Anadolu Motor Uretim ve**

**Pazarlama AS**

Esentepe mah. Anadolu

cad. No: 5

Kartal 34870 Istanbul

Tel. : +90 216 389 59 60

Fax : +90 216 353 31 98

<http://www.anadolumotor.com.tr>

✉ [antor@antor.com.tr](mailto:antor@antor.com.tr)

## **UKRAINE**

**Honda Ukraine LLC**

101 Volodymyrska Str. - Build. 2

Kyiv 01033

Tel. : +380 44 390 14 14

Fax : +380 44 390 14 10

<http://www.honda.ua>

✉ [CR@honda.ua](mailto:CR@honda.ua)

## **UNITED KINGDOM**

**Honda (UK) Power Equipment**

470 London Road

Slough - Berkshire, SL3 8QY

Tel. : +44 (0)845 200 8000

<http://www.honda.co.uk>

## **AUSTRALIA**

**Honda Australia Motorcycle and**

**Power Equipment Pty. Ltd**

1954-1956 Hume Highway

Campbellfield Victoria 3061

Tel. : (03) 9270 1111

Fax : (03) 9270 1133

## **CHILE**

**Honda Motor De Chile S.A**

San Ignacio 031 Quilicura

Cod. Postal 8720018-Santiago

Tel. : +56 2 2709800

Fax : +56 2 7386511

<http://www.honda.cl>

✉ [contacto@honda.cl](mailto:contacto@honda.cl)

**"EC Declaration of Conformity" CONTENT OUTLINE**  
**"CE-Déclaration de conformité" DESCRIPTION DE TABLE DES MATIERES**  
**"EU-Konformitätserklärung" INHALTSÜBERSICHT**  
**DESCRIPCIÓN GENERAL DEL CONTENIDO DE LA "Declaración de Conformidad CE"**  
**DESCRIZIONE DEL CONTENUTO DELLA "Dichiarazione CE di Conformità"**

**EC Declaration of Conformity**

1. The undersigned, Piet Renneboog, on behalf of the authorized representative, herewith declares that the machinery described below fulfils all the relevant provisions of:
- Directive 2006/42/EC on machinery
  - Directive 2004/108/EC on electromagnetic compatibility

2. Description of the machinery
- a) Generic denomination: Motor hoe  
 b) Function: preparing the soil

c) Commercial name	d) Type	e) Serial number
*1	*1	

3. Manufacturer  
 Jialing-Honda Motors Co., Ltd.  
 No.1 Guan Yue South Road, Yubei  
 District, Chongqing, CHINA

4. Authorized representative  
 Honda Motor Europe Ltd. Aalst Office  
 Wijngaardveld 1 (Noord V),  
 9300 Aalst – BELGIUM

5. References to harmonized standards	6. Other standards or specifications
EN 709:1997 +A4:2009	-

7. Outdoor noise Directive(>=3kW)
- a) Measured sound power dB(A): -  
 b) Guaranteed sound power dB(A): -  
 c) Noise parameter (kW/min<sup>-1</sup>): -  
 d) Conformity assessment procedure: -  
 e) Notified body: -

8. Done at: Aalst , BELGIUM  
 9. Date:

\_\_\_\_\_  
 Piet Renneboog  
 Homologation Manager  
 Honda Motor Europe, Ltd., Aalst Office

\*1: see specification page.  
 \*1: voir page de spécifications  
 \*1: Siehe Spezifikationen-Seite

\*1: consulte la página de las especificaciones  
 \*1: vedi la pagina delle caratteristiche tecniche



<p><b>Français. (French)</b> Déclaration CE de Conformité</p> <p>1. Le sous signé, Piet Renneboog, de la part du représentant autorisé, déclare que la machine décrit ci-dessous répond à toutes les dispositions applicables de</p> <p>* Directive Machine 2006/42/CE * Directive 2004/108/CE sur la compatibilité électromagnétique</p> <p>2. Description de la machine a) Denomination générique : Motobineuse b) Fonction : préparer le sol c) Nom Commercial d) Type e) Numéro de série</p> <p>3. Constructeur</p> <p>4. Représentant autorisé</p> <p>5. Référence aux normes harmonisées</p> <p>6. Autres normes et spécifications</p> <p>7. Directive des émissions sonores dans l'environnement des matériels destinés à être utilisés à l'extérieur des bâtiments a) Puissance acoustique mesurée b) Puissance acoustique garantie c) Paramètre du bruit d) Procédure d'évaluation de conformité e) Organisme notifié</p> <p>8. Fait à 9. Date</p>	<p><b>Italiano (Italian)</b> Dichiarazione CE di Conformità</p> <p>1. Il sottoscritto, Piet Renneboog, in qualità di rappresentante autorizzato, dichiara qui di seguito che la macchina sotto descritta soddisfa tutte le disposizioni pertinenti delle:</p> <p>* Direttiva macchine 2006/42/CE * Direttiva sulla compatibilità elettromagnetica 2004/108/CE</p> <p>2. Descrizione della macchina a) Denominazione generica : Motozappa b) Funzione : Preparazione del terreno c) Denominazione commerciale d) Tipo e) Numero di serie</p> <p>3. Costruttore</p> <p>4. Rappresentante Autorizzato</p> <p>5. Riferimento agli standard armonizzati</p> <p>6. Altri standard o specifiche</p> <p>7. Direttiva sulla emissione acustica delle macchine e attrezzature destinate a funzionare all'aperto a) Livello di potenza sonora misurato b) Livello di potenza sonora garantito c) Parametri emissione acustica d) Procedura di valutazione della conformità e) Organismo notificato</p> <p>8. Fatto a 9. Data</p>	<p><b>Deutsch (German)</b> EG-Konformitätserklärung</p> <p>1. Der Unterzeichner, Piet Renneboog erklärt hiermit im Namen der Bevollmächtigten, dass das hierunter genannte Maschine allen einschlägigen Bestimmungen der * entspricht.</p> <p>* Maschinenrichtlinie 2006/42/EG * Richtlinie der Elektromagnetischen Kompatibilität 2004/108/EG</p> <p>2. Beschreibung der Maschine a) Allgemeine Bezeichnung : Motorhacke b) Funktion : Boden bearbeiten c) Handelsbezeichnung d) Typ e) Seriennummer</p> <p>3. Hersteller</p> <p>4. Bevollmächtigter</p> <p>5. Verweis auf harmonisierte Normen</p> <p>6. Andere Normen oder Spezifikationen</p> <p>7. Geräuschrictlinie im Freien a) gemessene Lautstärke b) Schalleistungspegel c) Geräuschvorgabe d) Konformitätsbewertungs Ablauf e) Benannte Stelle</p> <p>8. Ort 9. Datum</p>
<p><b>Nederlands (Dutch)</b> EG-verklaring van overeenstemming</p> <p>1. Ondergetekende, Piet Renneboog, in naam van de gemachtigde van de fabrikant, verklaart hiermee dat het hieronder beschreven machine voldoet aan alle toepasselijke bepalingen van :</p> <p>* Richtlijn 2006/42/EG betreffende machines * Richtlijn 2004/108/EG betreffende elektromagnetische overeenstemming</p> <p>2. Beschrijving van de machine a) Algemene benaming : Tuinfrees b) Functie : de grond voorbereiden c) Handelsbenaming d) Type e) Serienummer</p> <p>3. Fabrikant</p> <p>4. Gemachtigde van de fabrikant</p> <p>5. Refereert naar geharmoniseerde normen</p> <p>6. Andere normen of specificaties</p> <p>7. Geluidsemisierichtlijn (openlucht) a) Gemeten geluidsvermogensniveau b) Gewaarborgd geluidsvermogensniveau c) Geluidsparameter d) Conformiteitsbeoordelingsprocedure e) Aangemelde instantie</p> <p>8. Plaats 9. Datum</p>	<p><b>Dansk (Danish)</b> EF OVERENSTEMMELSEERKLÆRING</p> <p>1. UNDERTEGNEDE, PIET RENNEBOOG, PÅ VEGNE AF DEN AUTORISEREDE REPRÆSENTANT, ERKLÆRER HERMED AT MASKINEN, SOM ER BESKREVET NEDENFOR, OPFYLDER ALLE RELEVANTE BESTEMMELSER IFØLGE:</p> <p>* MASKINDIREKTIV 2006/42/EF * EMC-DIREKTIV 2004/108/EF</p> <p>2. BESKRIVELSE AF PRODUKTET a) FÆLLESBETEGNELSE : Minifræser b) ANVENDELSE : Jordbearbejdning c) HANDELSBETEGNELSE d) TYPE e) SERIENUMMER</p> <p>3. PRODUCENT</p> <p>4. AUTORISERET REPRÆSENTANT</p> <p>5. REFERENCE TIL HARMONISEREDE STANDARDER</p> <p>6. ANDRE STANDARDER ELLER SPECIFIKATIONER</p> <p>7. DIREKTIV OM STØJEMISSION FRA MASKINER TIL UDENDØRS BRUG a) MÅLT LYEFFEKTNIVEAU b) GARANTERET LYEFFEKTNIVEAU c) STØJPARAMETER d) PROCEDURE FOR OVERENSSTEMMELSESVURDERING e) BEMYNDIGET ORGAN</p> <p>8. STED 9. DATO</p>	<p><b>Ελληνικά (Greek)</b> ΕΚ-Δήλωση συμμόρφωσης</p> <p>1. Ο κάτωθι υπογεγραμμένος ,Piet Renneboog, εκ μέρους του εξουσιοδοτημένου αντιπροσώπου με το παρών δηλώνω ότι το παρακάτω περιγραφόμενο όχημα πληροί όλες τις σχετικές προδιαγραφές του:</p> <p>* Οδηγία 2006/42/ΕΚ για μηχανές * Οδηγία 2004/108/ΕΚ για την ηλεκτρομαγνητική συμβατότητα</p> <p>2. Περιγραφή μηχανήματος a) Γενική ονομασία : Μοτοσκαπτική φρέζα b) Λειτουργία : για προετοιμασία του εδάφους c) Εμπορική ονομασία d) Τύπος e) Αριθμός σειράς παραγωγής</p> <p>3. Κατασκευαστής</p> <p>4. Εξουσιοδοτημένος αντιπρόσωπος</p> <p>5. Αναφορά σε εναρμονισμένα πρότυπα</p> <p>6. Λοιπά πρότυπα ή προδιαγραφές</p> <p>7. Οδηγία επιπέδου θορύβου εξωτερικών χώρων a) Μετρηθείσα ηχητική ένταση b) Εγγυημένη ηχητική ένταση c) Ηχητική παράμετρος d) Διαδικασία πιστοποίησης e) Οργανισμός πιστοποίησης</p> <p>8. Η δοκιμή έγινε 9. Ημερομηνία</p>
<p><b>Svenska (Swedish)</b> EG-försäkran om överensstämmelse</p> <p>1. Undertecknad, Piet Renneboog, på uppdrag av auktoriserad representant, deklarerar härmed att maskinen beskriven nedan fullföljer alla relevanta bestämmelser enl :</p> <p>* Direktiv 2006/42/EG gällande maskiner * Direktiv 2004/108/EG gällande elektromagnetisk kompatibilitet</p> <p>2. Maskinbeskrivning a) Allmän benämning : Jordfräs b) Funktion : bearbeta jorden c) Och varunamn d) Typ e) Serienummer</p> <p>3. Tillverkare</p> <p>4. Auktoriserad representant</p> <p>5. referens till överensstämmande standarder</p> <p>6. Andra standarder eller specifikationer</p> <p>7. Direktiv för buller utomhus a) Uppmätt ljudnivå b) Garanterad ljudnivå c) Buller parameter d) Förfarande för bedömning e) Anmälda organ</p> <p>8. Utfärdat vid 9. Datum</p>	<p><b>Español (Spanish)</b> Declaración de Conformidad CE</p> <p>1. El abajo firmante, Piet Renneboog, en representación del representante autorizado, adjunto declara que la máquina abajo descrita, cumple las cláusulas relevantes de:</p> <p>* Directiva 2006/42/CE de maquinaria * Directiva 2004/108/CE de compatibilidad electromagnética</p> <p>2. Descripción de la máquina a) Denominación genérica : Motocultor b) Función : Preparar el suelo c) Denominación comercial d) Tipo e) Número de serie</p> <p>3. Fabricante</p> <p>4. Representante autorizado</p> <p>5. Referencia de los estándares armonizados</p> <p>6. Otros estándar o especificaciones</p> <p>7. Directiva sobre ruido exterior a)Potencia sonora Medida b) Potencia sonora Garantizada c) Parámetros ruido d) Procedimiento evaluación conformidad e) Organismo notificado</p> <p>8. Realizado en 9. Fecha</p>	<p><b>Română (Romanian)</b> CE -Declaratie de Conformitate</p> <p>1. Subsemnatul Piet Renneboog, in numele reprezentantului autorizat, declar prin prezenta faptul ca echipamentul descris mai jos indeplineste toate conditiile necesare din:</p> <p>* Directiva 2006/42/CE privind echipamentul electromagnetica * Directiva 2004/108/CE privind compatibilitatea electromagnetica</p> <p>2. Descrierea echipamentului a) Denumire generica : Motosapa b) Domeniu de utilizare : pregatirea patului germinativ c) Denumire comerciala d) Tip e) Serie produs</p> <p>3. Producator</p> <p>4. Reprezentantul Autorizat</p> <p>5. Referinta la standardele armonizate</p> <p>6. Alte standarde sau norme</p> <p>7. Directiva privind poluarea fonica in spatiu inchis a) Puterea acustica masurata b) Putere acustica maxim garantata c) Indice poluare fonica d) Procedura de evaluare a conformitatii e) Notificari</p> <p>8. Emisa la 9. Data</p>

<p><b>Português ( Portuguese )</b>  Declaração CE de Conformidade  1. O abaixo assinado, Piet Renneboog, declara deste modo, em nome do mandatário, que o máquina abaixo descrito cumpre todas as estipulações relevantes da:  * Directiva 2006/42/CE de máquina  * Directiva 2004/108/CE de compatibilidade electromagnética  2. Descrição da máquina  a) Denominação genérica : Motoenxada  b) Função : preparar o solo  c) Marca  d) Tipo  e) Número de série  3. Fabricante  4. Mandatário  5. Referência a normas harmonizadas  6. Outras normas ou especificações  7. Directiva de ruído exterior  a) Potência sonora medida  b) Potência sonora garantida  c) Parâmetro de ruído  d) Procedimento de avaliação da conformidade  e) Organismo notificado  8. Feito em  9. Data</p>	<p><b>Polski ( Polish )</b>  Deklaracja zgodności WE  1. Niżej podpisany, Piet Renneboog, w imieniu upoważnionego przedstawiciela, niniejszym deklaruje, że urządzenie opisane poniżej spełnia wszystkie odpowiednie postanowienia:  * Dyrektywa Maszynowa 2006/42/WE  * Dyrektywa Kompatybilności Elektromagnetycznej 2004/108/WE  2. Opis urządzenia  a) Ogólne określenie : Redlica motorowa  b) Funkcja : przygotowanie gleby  c) Nazwa handlowa  d) Typ  e) Numery seryjne  3. Producent  4. Upoważniony Przedstawiciel  5. Zastosowane normy zharmonizowane  6. Pozostałe normy i przepisy  7. Dyrektywa Hałasowa  a) Zmierzony poziom mocy akustycznej  b) Gwarantowany poziom mocy akustycznej  c) Wartość hałasu  d) Procedura oceny zgodności  e) Jednostka notyfikowana  8. Miejsce  9. Data</p>	<p><b>Suomi / Suomen kieli (Finnish)</b>  EY-VAATIMUSTENMUKAISUUSVAKUUTUS  1. Allekirjoittanut, Piet Renneboog valtuutettu valmistajan edustaja, vakuuttaa täten että alla mainittu kone/tuote täyttää kaikki seuraavia määräyksiä:  * Konedirektiivi 2006/42/EY  * Direktiivi 2004/108/EY sähkömagneettinen yhteensopivuus  2. TUOTTEEN KUVAUS  a) Yleisarvomäärä : Puutarhajyrsin  b) Toiminto : maan muokkaminen  c) KAUPALLINEN NIMI  d) TYYPPI  e) SARJANUMERO  3. VALMISTAJA  4. VALMISTAJAN EDUSTAJAN  5. VIITTAUS YHTEISIIN STANDARDEIHIN  6. MUU STANDARDI TAI TEKNISET TIEDOT  7. Ympäristön meludirektiivi  a) Mitattu melutaso  b) Todenmukainen melutaso  c) Melu parametrit  d) Yhdenmukaisuuden arvioinnin menetelmä  e) Tiedonantolin  8. TEHTY  9. PÄIVÄMÄÄRÄ</p>
<p><b>Magyar ( Hungarian )</b>  EK-megfelelőségi nyilatkozata  1. Alulírott Piet Renneboog, a gyártó cég törvényes képviselőjeként nyilatkozom, hogy az általunk gyártott gép megfelel az összes, alább felsorolt direktívának:  * 2006/42/EK Direktívának berendezésekre  * 2004/108/EK Direktívának elektromágneses megfeleléségre  2. A gép leírása  a) Általános megnevezés : Rotációs kapa  b) Funkció : talaj előkészítése  c) Kereskedelmi név  d) Típus  e) Sorozatszám  3. Gyártó  4. Jogosult képviselő  5. Hivatkozással a szabványokra  6. Más előírások, megjegyzések  7. Kültéri zajszint Direktíva  a) Mért hangerő  b) Szavatolt hangerő  c) Zajszint paraméter  d) Megfelelőségi becslési eljárás  e) Kijelölt szervezet  8. Keltezés helye  9. Keltezés ideje</p>	<p><b>Cestina (Czech)</b>  ES – Prohlášení o shodě  1. Podepsaný Piet Renneboog, jako autorizovaná osoba zde potvrzuje, že stroj popsáný níže splňuje požadavky příslušných opatření:  * Směrnice 2006/42/ES pro strojní zařízení  * Směrnice 2004/108/ES stanovující technické požadavky na výrobky z hlediska elektromagnetické kompatibility  2. Popis zařízení  a) Všeobecné označení : Motorový kultivátor  b) Funkce : Příprava půdy pro pěstování  c) Obchodní název  d) Typ  e) Výrobní číslo  3. Výrobce  4. Autorizovaná osoba  5. Odkazy na harmonizované normy  6. Ostatní použité normy a specifikace  7. Směrnice pro hluk pro venkovní použití  a) Naměřený akustický výkon  b) Garantovaný akustický výkon  c) Parametr hluku  d) Způsob posouzení shody  e) Notifikovaná osoba  8. Podepsáno v  9. Datum</p>	<p><b>Latviešu (Latvian)</b>  EK atbilstības deklarācija  1. Piet Renneboog ar savu parakstu zem šī dokumenta, autorizētā pārstāvja vārdā, paziņo, ka zemāk aprakstītie mašīna, atbilst visām zemāk norādīto direktīvu sadaļām:  * Direktīva 2006/42/EK par mašīnām  * Direktīva 2004/108/EK attiecībā uz elektromagnētisko savietojamību  2. Iekārtas apraksts  a) Vispārējais nosaukums : Kultivators  b) Funkcija : augsnes sagatavošana  c) Komercnosaukums  d) Tips  e) Sērijas numurs  3. Ražotājs  4. Autorizētais pārstāvis  5. Atsauce uz saskaņotajiem standartiem  6. Citi noteiktie standarti vai specifikācijas  7. Ārējo trokšņu Direktīva  a) Izmērītā trokšņa līdums  b) Pieļaujama trokšņa līdums  c) Trokšņa parametri  d) Atbilstības vērtējuma procedūra  e) Informētā iestāde  8. Vieta  9. Datums</p>
<p><b>Slovenčina (Slovak)</b>  ES vyhlásenie o zhode  1. Dolupodpísaný, Piet Renneboog, ako autorizovaný zástupca výrobcu, týmto vyhlasuje, že uvedený strojové je v zhode s nasledovnými smernicami:  * Smernica 2006/42/ES (Strojné zariadenia)  * Smernica 2004/108/ES (Elektromagnetická kompatibilita)  2. Popis stroja  a) Druhovú označenie : Motorový kultivátor  b) Funkcia : Úprava pôdy  c) Obchodný názov  d) Typ  e) Výrobné číslo  3. Výrobca  4. Autorizovaný zástupca  5. Referencia k harmonizovaným štandardom  6. Ďalšie štandardy alebo špecifikácie  7. Smernica pre emisie hluku vo voľnom priestranstve  a) Nameraná hladina akustického výkonu  b) Zaručená hladina akustického výkonu  c) Rozmer  d) Procedúra posudzovania zhody  e) Notifikovaná osoba  8. Miesto  9. Dátum</p>	<p><b>Eesti (Estonian)</b>  EÜ vastavusdeklaratsioon  1. Käesolevaga kinnitab allakirjutanu, Piet Renneboog, volitatud esindaja nimel, et allpool kirjeldatud masina vastab kõikidele alljärgnevatel direktiivide sätetele:  * Masinate direktiiv 2006/42/EÜ  * Elektromagnetilise ühilduvuse direktiiv 2004/108/EÜ  2. Seadmete kirjeldus  a) Üldnimetus : Motoplokk  b) Funktsioon : pinnase ettevalmistamine  c) Kaubanduslik nimetus  d) Tüüp  e) Seerianumber  3. Tootja  4. Volitatud esindaja  5. Viide ühtlustatud standarditele  6. Muud standardid ja spetsifikatsioonid  7. Välistüra direktiiv  a) Mõõdetud helivõimsuse tase  b) Lubatud helivõimsuse tase  c) Mõõdeparameeter  d) Vastavushindamismenetlus  e) Teavitatud asutus  8. Koht  9. Kuupäev</p>	<p><b>Slovensčina (Slovenian)</b>  ES izjava o skladnosti  1. Spodaj podpisani, Piet Renneboog, ki je pooblaščen osebna in v imenu proizvajalca izjavlja, da spodaj opisana stroj ustreza vsem navedenim direktivam:  * Direktiva 2006/42/ES o strojih  * Direktiva 2004/108/ES o elektromagnetni združljivosti  2. Opis naprave  a) Vrsta stroja : Motorni okopalnik  b) Funkcija : obdelava zemlje  c) Trgovski naziv  d) Tip  e) Serijska številka  3. Proizvajalec  4. Pooblaščen predstavnik  5. Upoštevanje harmonizirani standardi  6. Ostali standardi ali specifikacij  7. Direktiva o hrupnosti  a) Izmerjena zvočna moč  b) Garantirana zvočna moč  c) Parametar  d) Postopek  e) Postopek opravi  8. Kraj  9. Datum</p>

<p><b>Lietuvių kalba (Lithuanian)</b>  <b>EB atitikties deklaracija</b>  1. Įgaliotojo atstovo vardu pasirašęs Piet Renneboog patvirtina, kad žemiau aprašyta mašina atitinka visas išvardintų direktyvų nuostatas:  * Mechanizmų direktyva 2006/42/EB  * Elektromagnetinio suderinamumo direktyva 2004/108/EB  2. Prietaiso aprašymas  a) Bendras pavadinimas : Motorinis kauptukas  b) Funkcija : dirvos paruošimas  c) Komerčinis pavadinimas d) Tipas  e) Serijos numeris  3. Gamintojas  4. Įgaliotasis atstovas  5. Nuorodos į suderintus standartus  6. Kiti standartai ir specifikacija  7. Triukšmo lauke direktyva  a) Išmatuotas garso galingumo lygis  b) Garantuojamas garso galingumo lygis  c) Triukšmo parametras  d) Tipas  e) Registruota įstaiga  8. Vieta 9. Data</p>	<p><b>Български (Bulgarian)</b>  <b>ЕО декларация за съответствие</b>  1. Долуподписаният Пайът Ренебуг, от името на упълномощения представител, с настоящото декларирам, че машините, описани по-долу, отговарят на всички съответни разпоредби на:  * Директива 2006/42/ЕО относно машините  * Директива 2004/108/ЕО относно електромагнитната съвместимост  2. Описание на машините  a) Общо наименование : Моторна мотика  b) Функция : подготовка на почвата  c) Търговско наименование d) Тип  e) Серииен номер  3. Производител  4. Упълномощен представител  5. Съответствие с хармонизирани стандарти  6. Други стандарти или спецификации  7. Директива относно шумовите емисии на съоръжения, предназначени за употреба извън сградите  a) Измерена звукова мощност  b) Гарантирана звукова мощност  c) Параметърът шум  d) Процедурата за оценка на съответствието  e) Нотифициран орган  8. Място на изготвяне 9. Дата на изготвяне</p>	<p><b>Norsk (Norwegian)</b>  <b>EF- Samsvarserklæring</b>  1. Undertegnede Piet Renneboog på vegne av autorisert representant herved erklærer at maskineri beskrevet nedenfor innfrir relevant informasjon fra følgende forskrifter.  * Maskindirektivet 2006/42/EF  * Direktiv EMC: 2004/108/EF  Elektromagnetisk kompatibilitet  2. Beskrivelse av produkt  a) Felles benevnelse : Jordfres  b) Funksjon : Jordbearbeiding  c) Handelsnavn d) Type  e) Serienummer  3. Produsent  4. Autorisert representant  5. Referanse til harmoniserte standarder  6. Øvrige standarder eller spesifikasjoner  7. Utendørs direktiv får støtte  a) Målt støy  b) Maks støy  c) Konstant støy  d) Verdi vurderings prosedyre  e) Gjeldene kjøretøy/kropp/stamme/skrog  8. Sted 9. Dato</p>
<p><b>Türk (Turkish)</b>  <b>AT Uygunluk Beyanı</b>  1. Aşağıda imzası bulunan Piet Renneboog, yetkili temsilci adına, bu yazıyla birlikte aşağıdaki makine ile ilgili tüm hükümlülüklerin yerine getirildiğini beyan etmektedir:  * Makina Emniyet Yönetmeliği 2006/42/AT  * Elektromanyetik Uyumluluk Yönetmeliği 2004/108/AT  2. Makinanın tanıtımı  a) Kapsamlı adlandırma : Motorlu çapa  b) İşlevi : Toprağın hazırlanması  c) Ticari adı d) Tipi  e) Seri numarası  3. İmalatçı  4. Yetkili temsilci  5. Uyumlaştırılmış standartlara atıf  6. Diğer standartlar veya spesifikasyonlar  7. Açık alan gürültü Yönetmeliği  a) Ölçülen ses gücü  b) Garant edilen ses gücü  c) Gürültü parametresi  d) Uygunluk değerlendirme prosedürü  e) Onaylanmış kuruluş  8. Beyanın yeri : 9. Beyanın tarihi :</p>	<p><b>Íslenska (Icelandic)</b>  <b>EB-Samræmisýfirlýsing</b>  1. Undirritaður Piet Renneboog staðfestir hér með fyrir hönd löggiltra aðila að upplýsingar um vélbúnað hér að neðan eru tæmandi hvað varðar alla tilheyrandi málaflokka, svo sem  *Leiðbeiningar fyrir vélbúnað 2006/42/EB  *Leiðbeiningar fyrir rafsegulsvið 2004/108/EB  2. Lýsing á vélbúnaði  a) Flokkur : Jarðvegstættari  b) Virkni : Undirbúningur á jarðveg  c) Nafn d) Tegund  e) Serial númer  3. Framleiðandi  4. Löggildir aðilar  5. Tilvísun um heildar staðal  6. Aðrir staðlar eða sérstöður  7. Leiðbeiningar um hávaðamengun  a) Mældur hávaða styrkur  b) Staðfestur hávaða styrkur  c) Hávaða breytileiki  d) Staðfesting á gæðastöðlum  e) Merkingar  8. Gert hjá 9. Dagsetning</p>	<p><b>Hrvatski (Croatian)</b>  <b>EK Izjava o sukladnosti</b>  1. Potpisani, Piet Renneboog, u ime ovlaštenog predstavnika, ovime izjavljuje da strojevi navedeni u nastavku ispunjavaju sve važne odredbe:  * Propisa za strojeve 2006/42/EK  * Propisa o elektromagnetskoj kompatibilnosti 2004/108/EK  2. Opis strojeva  a) Opća vrijednost : Motorni kopač  b) Funkcionalnost : priprema terena  c) Komercijalni naziv d) Tip  e) Serijski broj  3. Proizvođač  4. Ovlaštteni predstavnik  5. Reference na usklađene norme  6. Ostale norme i specifikacije  7. Propis o buci na otvorenom  a) Izmjerena jačina zvuka  b) Zajamčena jačina zvuka  c) Parametar buke  d) Postupak za ocjenu sukladnosti  e) Obaviješteno tijelo  8. U 9. Datum</p>

**HONDA**  
The Power of Dreams

3QV42600  
00X3Q-V42-6000



© Honda Motor Co., Ltd. 2012  
英 仏 独 西 伊 FM .2012.10  
Printed in China