

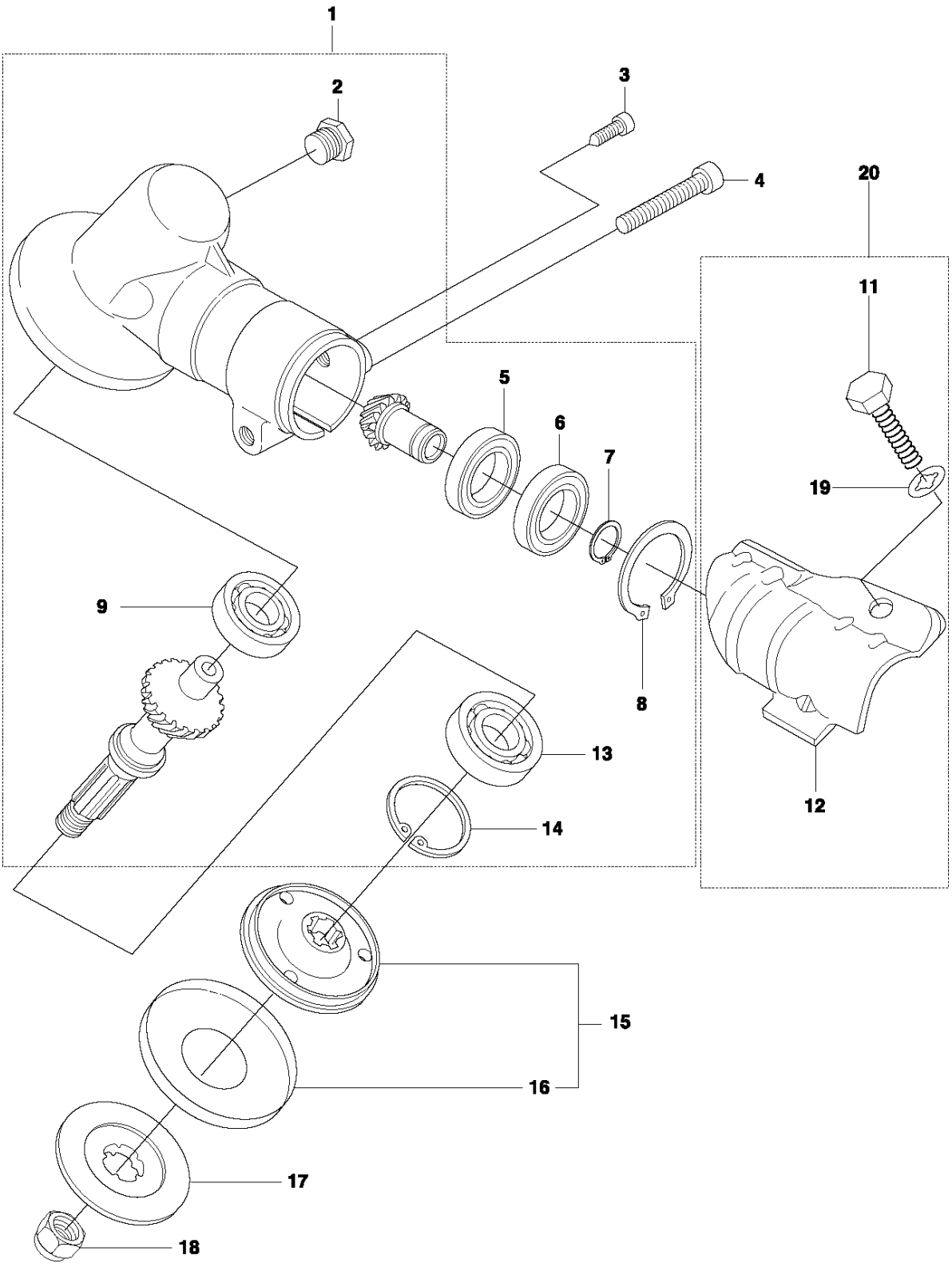


SPARE PARTS LIST

BRUSHCUTTERS/CLEARING SAWS

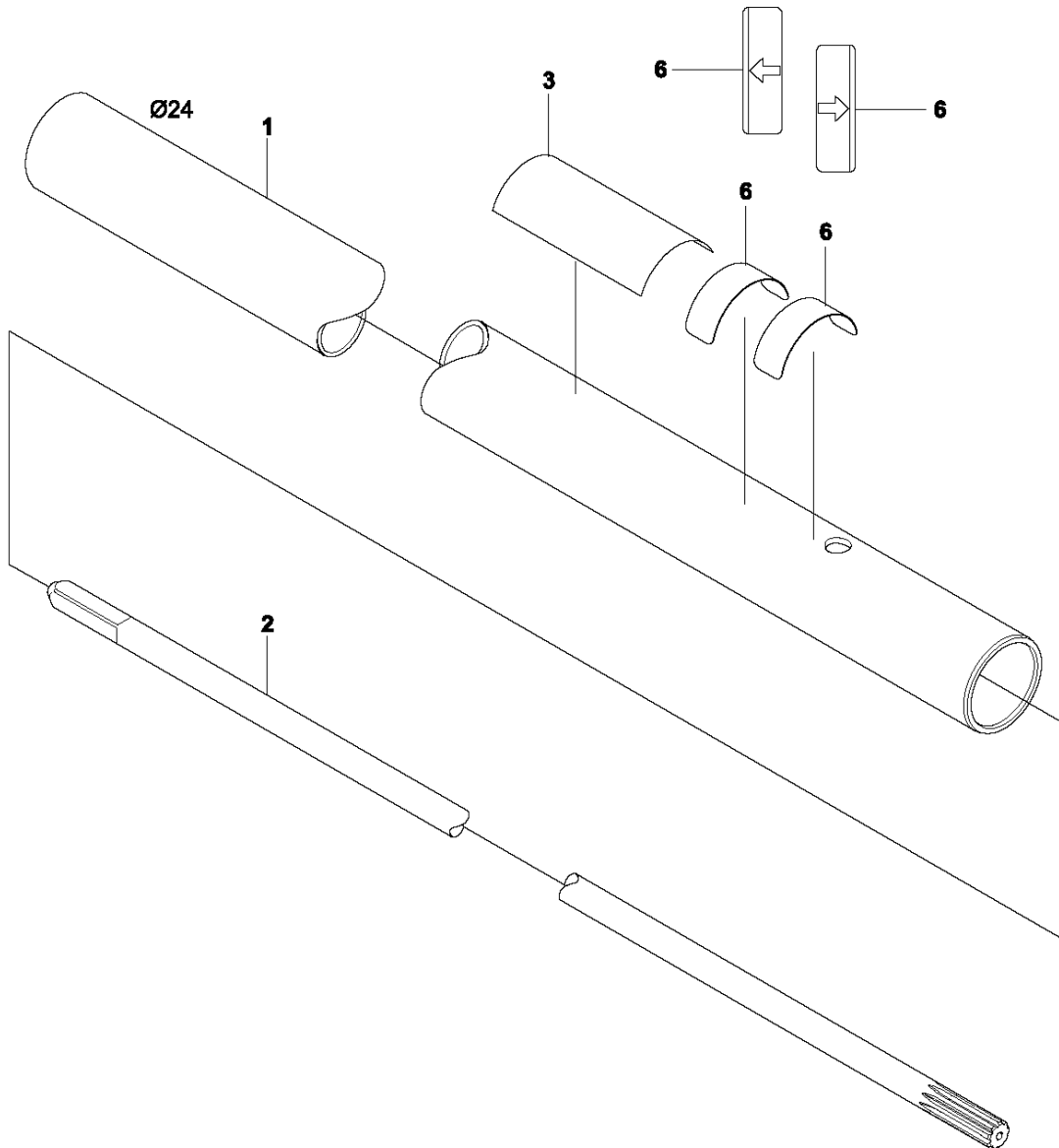
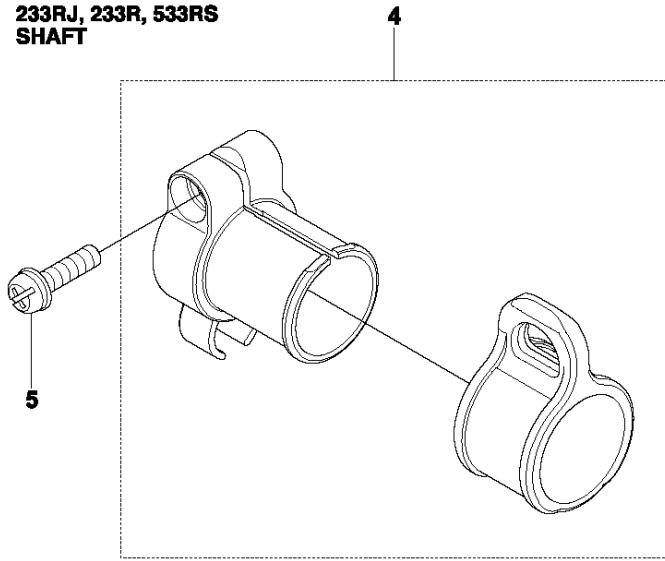
533 RS, 2011-07

A 233RJ, 233R, 533RS
BEVEL GEAR



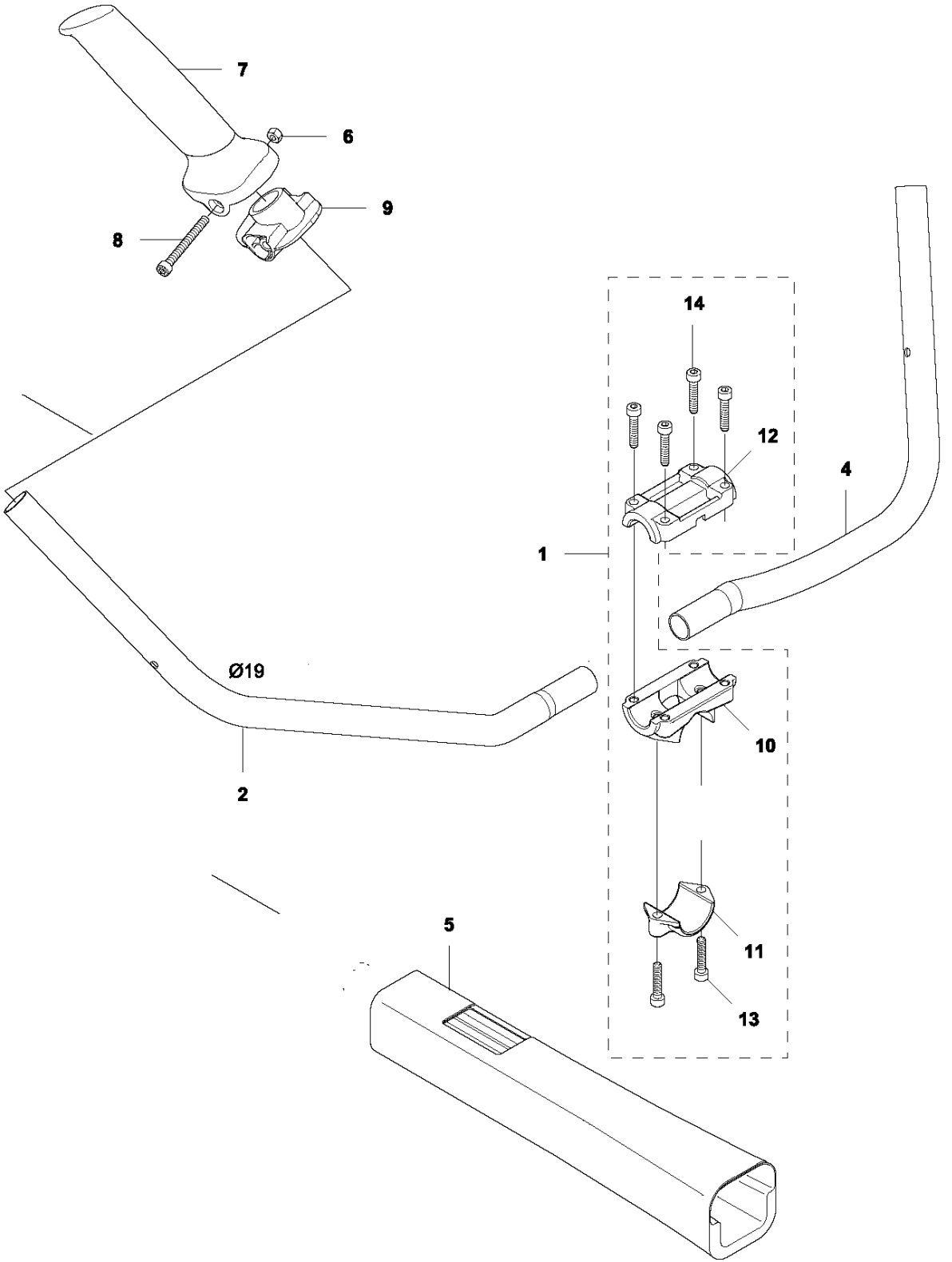
| Ref. | No Pieza | Descripción | Comentario | CTD KIT AD. | |
|------|--------------|-----------------------|-------------|-------------|----|
| 1 | 537 33 32-02 | ENGRANAJE ANGULAR | | 1 | 1 |
| 2 | 503 20 15-02 | SCREW IHHM | | 1 | 1 |
| 3 | 506 74 56-01 | PERNO | Screw M5x12 | 1 | |
| 4 | 512 84 59-01 | PERNO | Screw M5x25 | 1 | |
| 5 | 738 21 99-00 | RODAMIENTO DE BOLAS | | 1 | 1 |
| 6 | 738 21 99-02 | RODAMIENTO DE BOLAS | | 1 | 1 |
| 7 | 735 31 11-00 | RESORTE CIRCULAR | | 1 | 1 |
| 8 | 735 31 25-10 | RESORTE CIRCULAR | | 1 | 1 |
| 9 | 738 21 98-00 | RODAMIENTO DE BOLAS | | 1 | 1 |
| 11 | 537 18 95-01 | TORNILLO | Screw M6x20 | 1 | 20 |
| 12 | 503 93 55-01 | CLAMP.GUARD | | 1 | 20 |
| 13 | 738 21 01-04 | RODAMIENTO DE BOLAS | | 1 | 1 |
| 14 | 735 31 28-10 | RESORTE CIRCULAR | | 1 | 1 |
| 15 | 537 23 49-01 | ARRASTADOR COMPLETO | | 1 | |
| 16 | 537 29 26-01 | CAZOLETA | | 1 | 15 |
| 17 | 537 28 56-01 | BRIDA DE APOYO | | 1 | |
| 18 | 503 85 63-01 | TUERCA | | 1 | |
| 19 | 575 67 73-01 | ARANDELA DE SEGURIDAD | | 1 | 20 |
| 20 | 575 77 87-01 | SOPORTE | | 1 | |

B 233RJ, 233R, 533RS
SHAFT



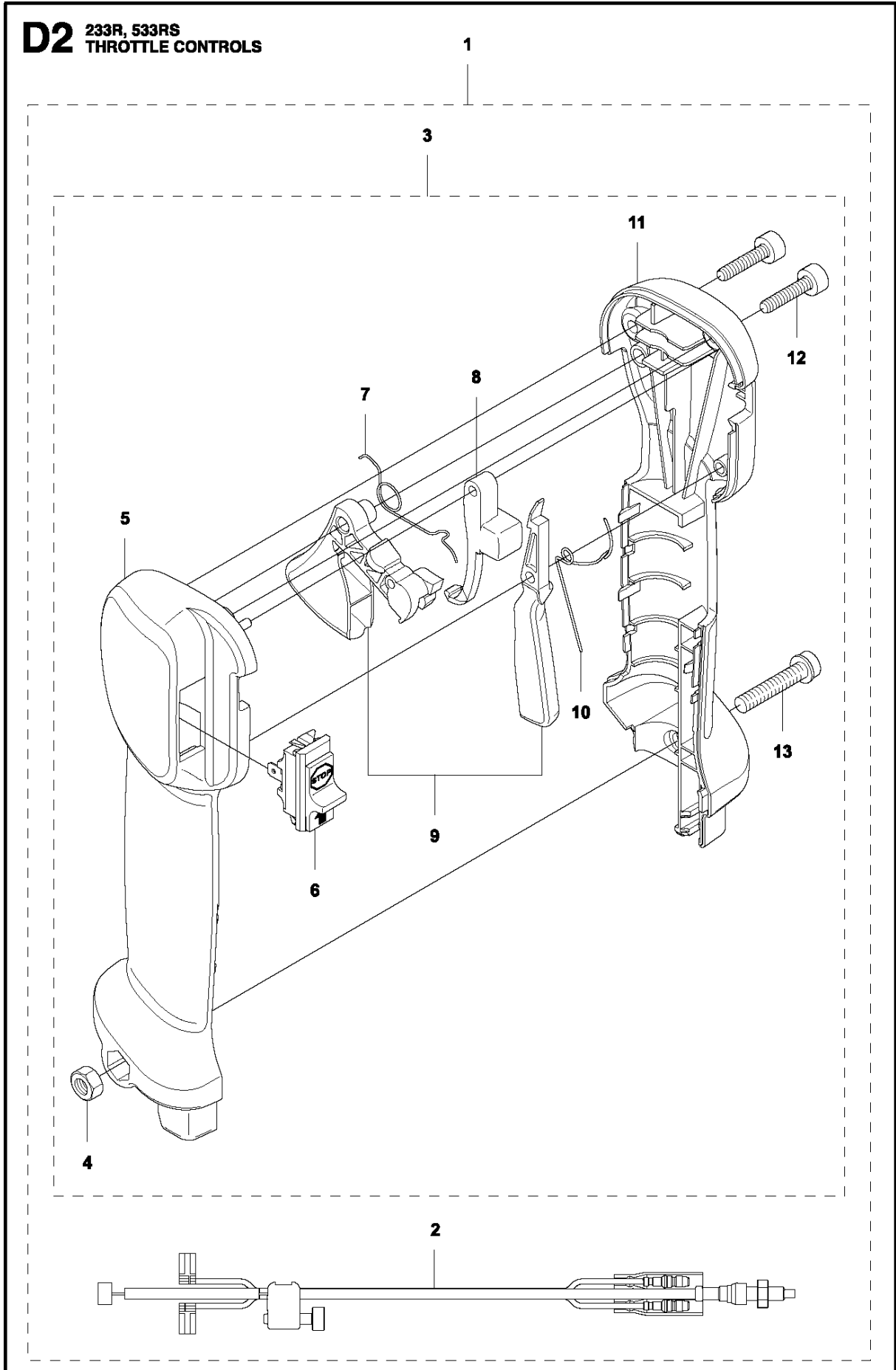
| Ref. | No Pieza | Descripción | Comentario | CTD KIT AD. |
|------|--------------|---------------|-------------|-------------|
| 1 | 528 84 20-01 | PIPE-COMP | | 1 |
| 2 | 528 84 19-01 | EJE | | 1 |
| 3 | 510 96 31-01 | LABEL.CAUTION | | 1 |
| 4 | 521 82 21-01 | COLGADOR | | 1 |
| 5 | 521 51 53-01 | TORNILLO | 233R, 533RS | 1 |
| 6 | 505 29 58-01 | ETIQUETA | | 2 |
| 5 | 510 48 23-01 | TORNILLO | 233RJ | 1 |

C2 233R, 533RS
HANDLE

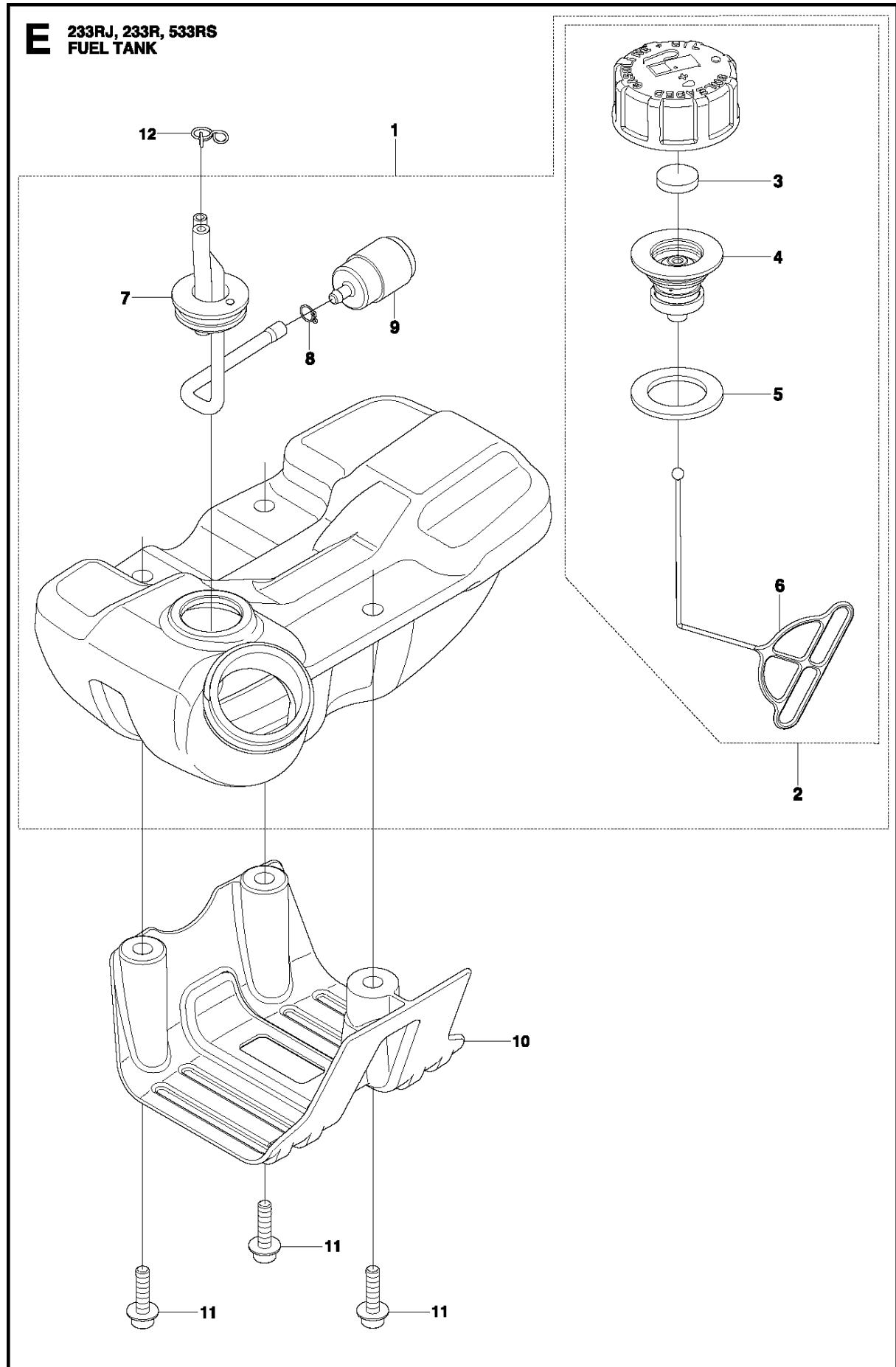


| Ref. | No Pieza | Descripción | Comentario | CTD KIT AD. |
|------|--------------|-------------|------------|----------------|
| 1 | 521 65 32-01 | SOPORTE | | 1 |
| 2 | 528 81 75-01 | EMPUÑADURA | | 1 |
| 4 | 528 81 74-01 | EMPUÑADURA | | 1 |
| 5 | 521 53 87-01 | PROTECCIÓN | | 1 |
| 6 | 575 96 06-01 | TUERCA | | 1 |
| 7 | 537 17 28-02 | EMPUÑADURA | | 1 |
| 8 | 510 90 94-01 | PERNO | | 1 |
| 9 | 537 17 29-01 | CUBIERTA | | 1 |
| 10 | 514 39 55-01 | SOPORTE | | 1 1 |
| 11 | 514 39 56-01 | SOMBRERETE | | 1 1 |
| 12 | 505 29 49-01 | SOMBRERETE | | 1 1 |
| 13 | 504 11 43-01 | TORNILLO | | 2 1 |
| 14 | 512 84 57-01 | PERNO | | 4 1 |

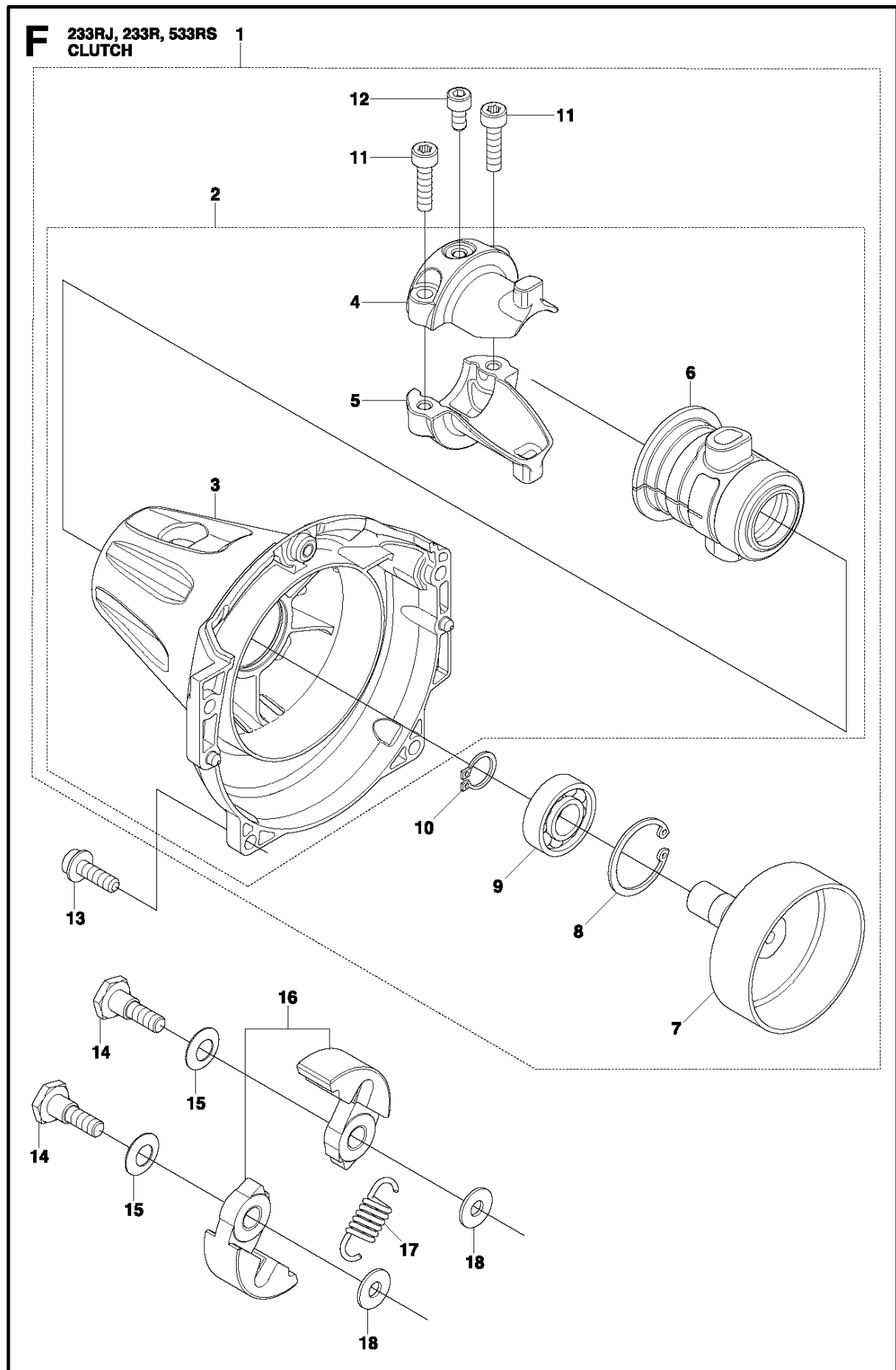
D2 233R, 533RS
THROTTLE CONTROLS



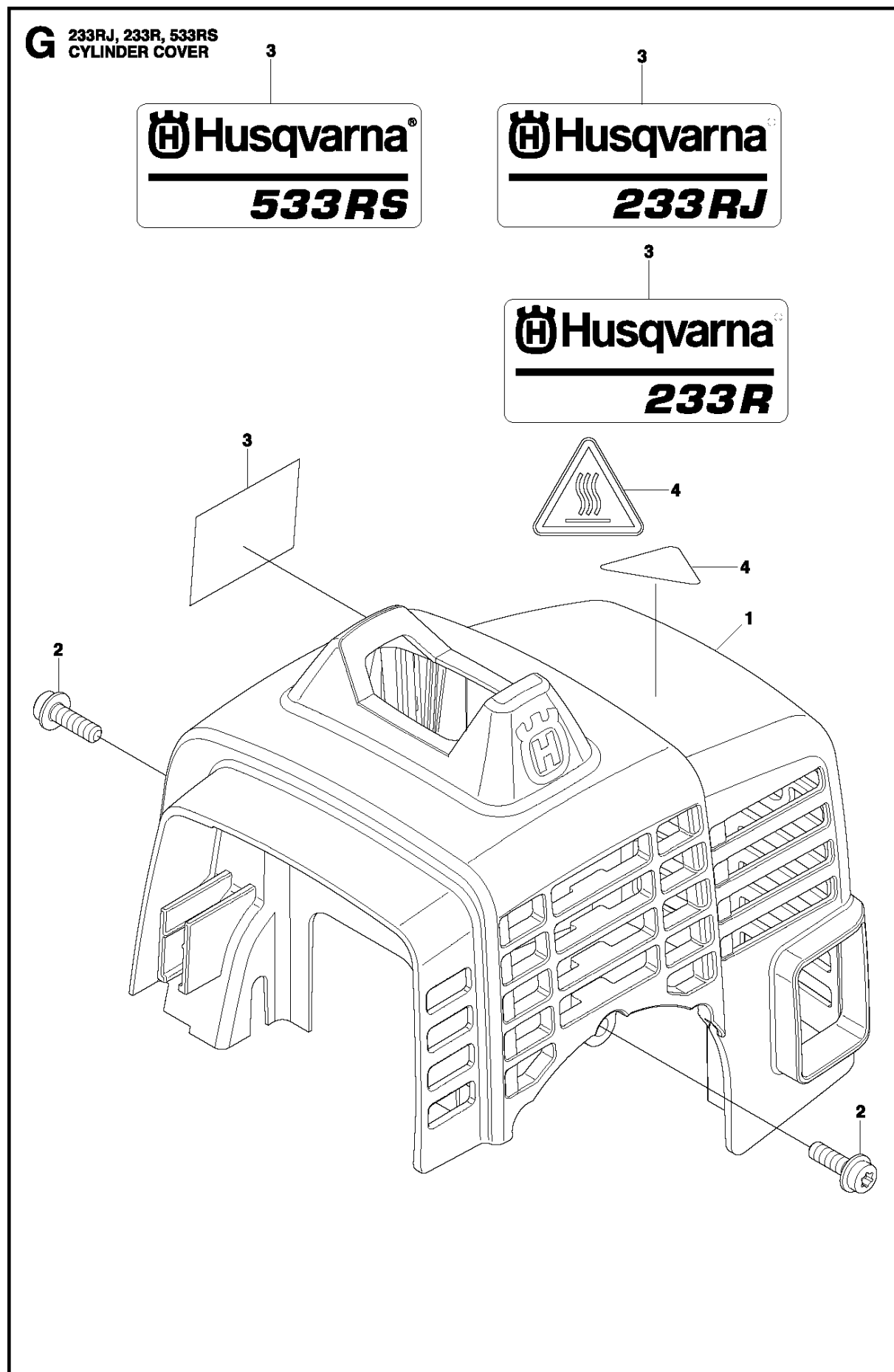
| Ref. | No Pieza | Descripción | Comentario | CTD | KIT AD. |
|------|--------------|-----------------------|------------|-----|---------|
| 1 | 522 52 07-01 | CONTROL DE ACELERADOR | | 1 | |
| 2 | 522 03 66-01 | CABLE | | 1 | 1 |
| 3 | 537 42 45-13 | SISTEMA DE ASA | | 1 | 1 |
| 4 | 503 22 10-13 | TUERCA HEXAGONAL | | 1 | 1,3 |
| 5 | 537 16 02-03 | MITAD DE EMPUÑADURA | | 1 | 1,3 |
| 6 | 503 71 82-01 | INTERRUPTOR | | 1 | 1,3 |
| 7 | 537 17 42-01 | SPRING THROTTLE TRIG | | 1 | 1,3 |
| 8 | 537 16 07-03 | STARTER THROTTLE LOC | | 1 | 1,3 |
| 9 | 506 49 77-01 | CONTROL DE ACELERADOR | | 1 | 1,3 |
| 10 | 537 17 43-01 | MUELLE | | 1 | 1,3 |
| 11 | 537 16 03-01 | MITAD DE EMPUÑADURA | | 1 | 1,3 |
| 12 | 503 21 66-74 | TORNILLO IHSC T | | 2 | 1,3 |
| 13 | 503 20 07-82 | TORNILLO IHSCFM | | 1 | 1,3 |



| Ref. | No Pieza | Descripción | Comentario | CTD KIT AD. |
|------|--------------|-------------|------------|----------------|
| 1 | 528 07 12-01 | DEPÓSITO | | 1 |
| 2 | 505 30 96-01 | SOMBRERETE | | 1 1 |
| 3 | 506 74 68-01 | FILTRO | | 1 1,2 |
| 4 | 515 36 94-01 | HOLDER | | 1 1,2 |
| 5 | 506 74 43-01 | EMBALAJE | | 1 1,2 |
| 6 | 506 74 58-01 | LEVA | | 1 1,2 |
| 7 | 521 61 66-01 | PIPE-COMP | | 1 1 |
| 8 | 506 70 70-01 | MORDAZA | | 1 1 |
| 9 | 506 61 46-01 | FILTRO | | 1 1 |
| 10 | 528 06 97-01 | GUARDA | | 1 |
| 11 | 512 84 56-01 | PERNO | | 3 |
| 12 | 506 74 15-01 | MORDAZA | | 1 |

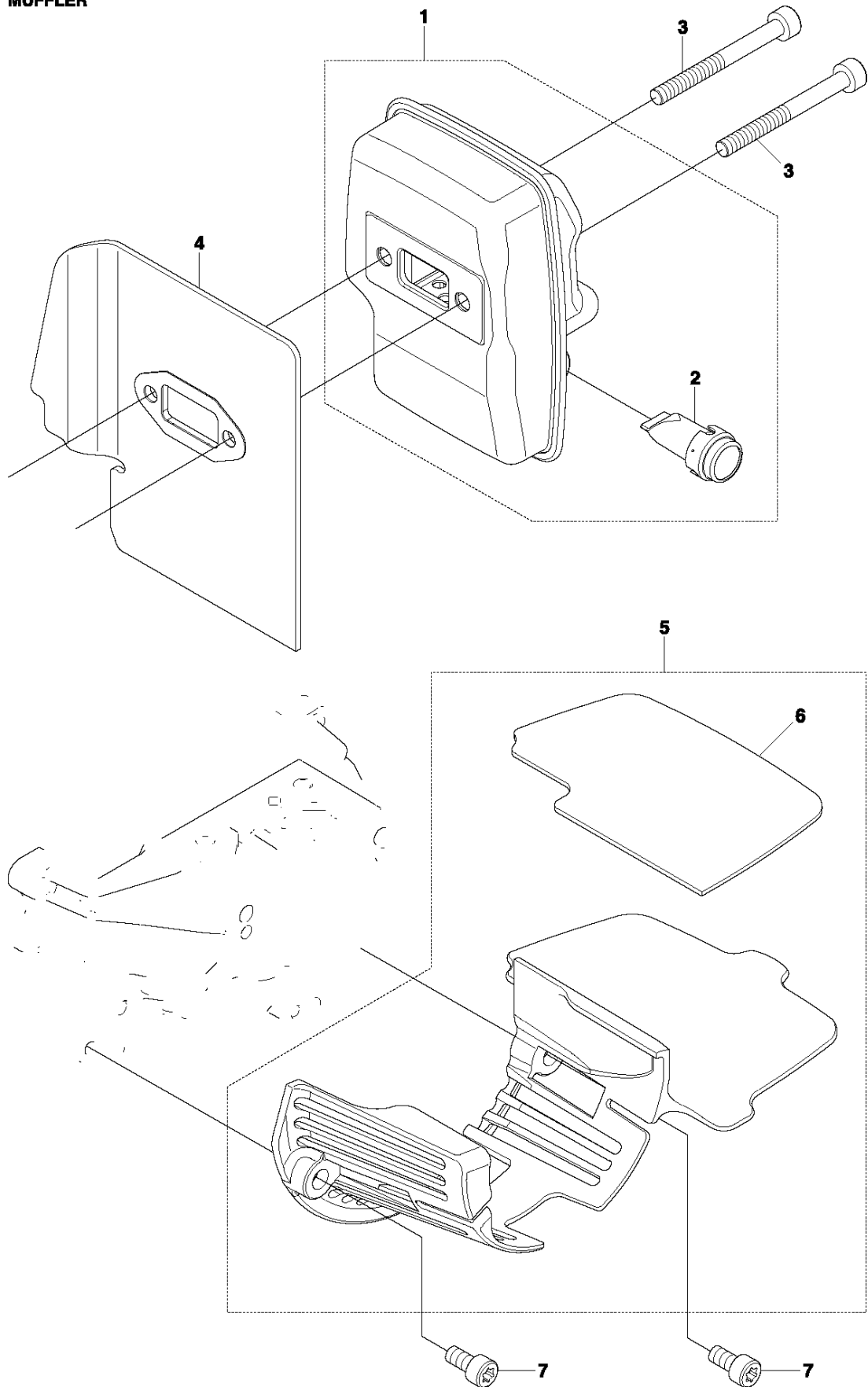


| Ref. | No Pieza | Descripción | Comentario | CTD KIT AD. |
|------|--------------|--------------|------------|----------------|
| 1 | 528 07 10-01 | CARCASA | | 1 |
| 2 | 521 75 51-01 | CARCASA | | 1 1 |
| 3 | 521 75 52-01 | CARCASA | | 1 1, 2 |
| 4 | 521 76 82-01 | SOPORTE | | 1 1, 2 |
| 5 | 521 76 83-01 | SOPORTE | | 1 1, 2 |
| 6 | 512 36 05-01 | AMORTIGUADOR | | 1 1, 2 |
| 7 | 521 60 98-01 | TAMBOR | | 1 1 |
| 8 | 506 60 99-01 | ANILLO | | 1 1 |
| 9 | 525 95 32-01 | RODAMIENTO | | 1 1 |
| 10 | 516 12 41-01 | ANILLO | | 1 1 |
| 11 | 504 11 43-01 | TORNILLO | | 2 |
| 12 | 529 26 81-01 | PERNO | | 1 |
| 13 | 515 39 13-01 | PERNO | | 4 |
| 14 | 513 18 96-01 | TORNILLO | | 2 |
| 15 | 513 18 95-01 | ARANDELA | | 2 |
| 16 | 515 38 91-01 | ZAPATOS | | 1 |
| 17 | 515 38 93-01 | MUELLE | | 1 |
| 18 | 505 05 44-01 | ARANDELA | | 2 |

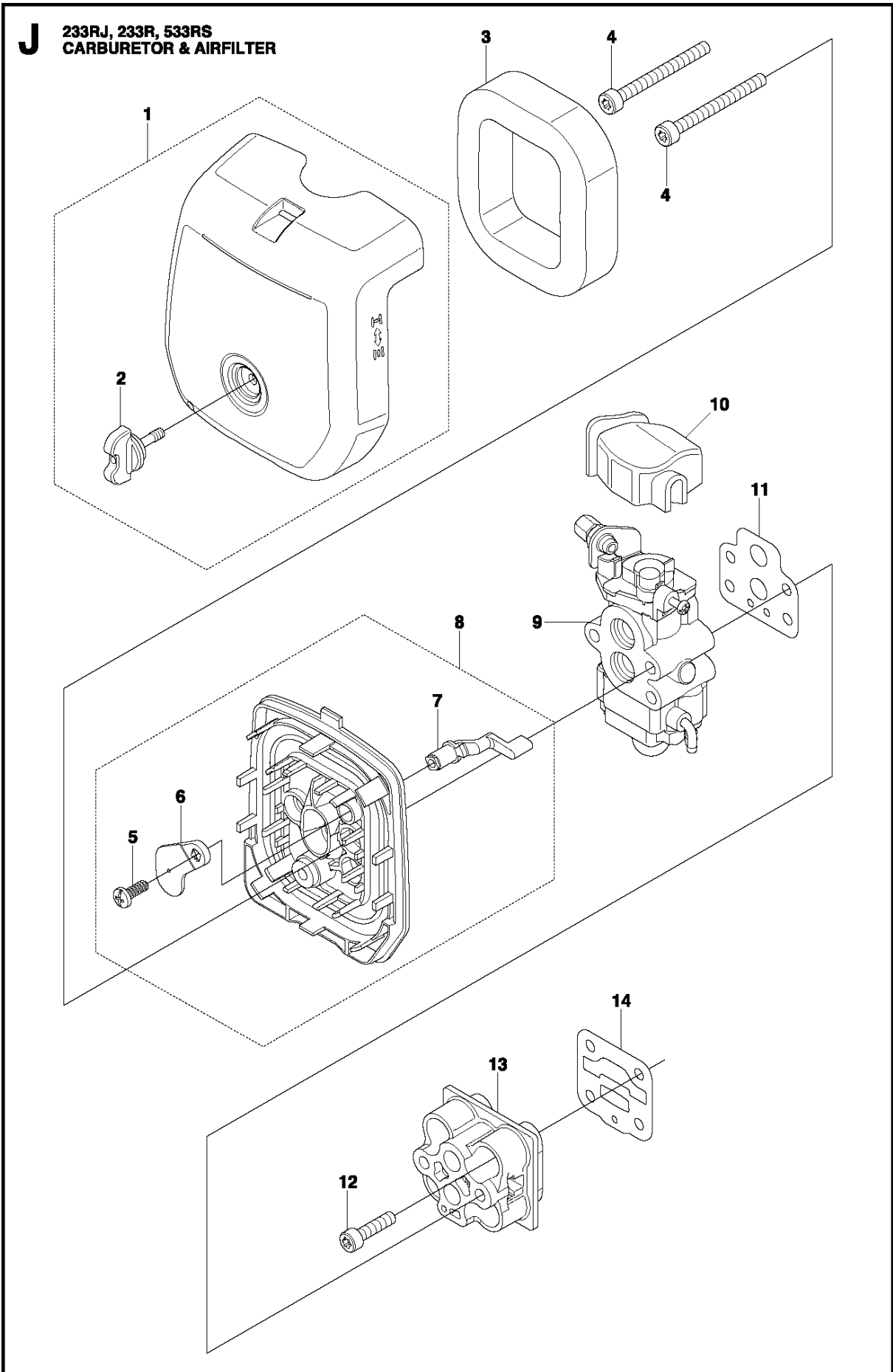


| Ref. | No Pieza | Descripción | Comentario | CTD KIT AD. |
|------|--------------|-------------|-------------|-------------|
| 1 | 528 06 88-01 | CUBIERTA | | 1 |
| 2 | 506 74 56-01 | PERNO | 233RJ | 1 |
| 2 | 574 71 08-01 | PERNO | 233R, 533RS | 1 |
| 3 | 578 42 07-01 | ADHESIVO | 533RS | 1 |
| 3 | 577 97 04-01 | ADHESIVO | 233R | 1 |
| 3 | 528 80 06-01 | LABEL,NAME | 233RJ | 1 |
| 4 | 521 55 36-01 | ETIQUETA | | 1 |

H 233RJ, 233R, 533RS
MUFFLER

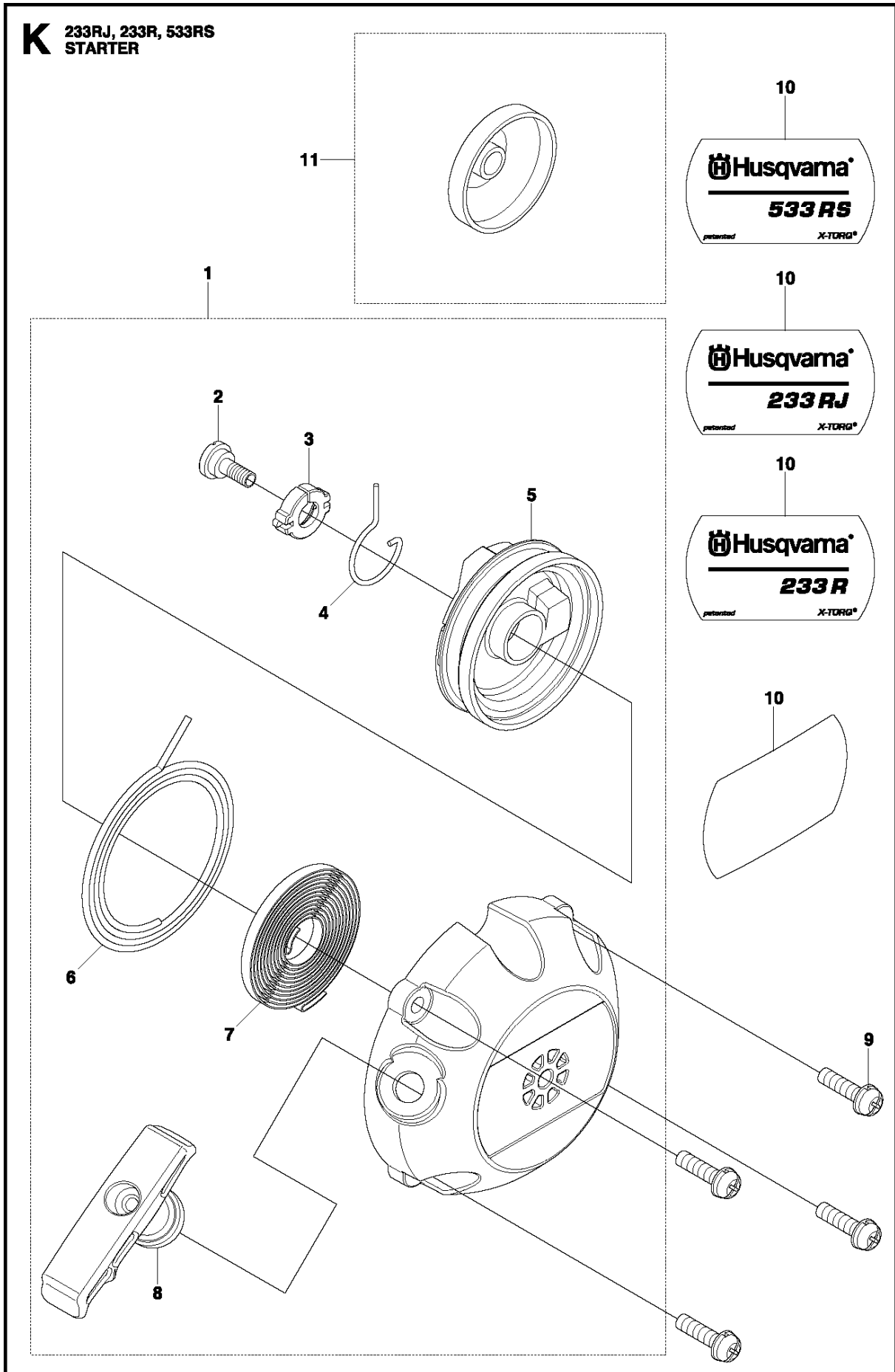


| Ref. | No Pieza | Descripción | Comentario | CTD KIT AD. |
|------|--------------|-------------|--------------------|-------------|
| 1 | 575 58 42-01 | SILENCIADOR | 233RJ AUS | 1 |
| 1 | 511 38 68-01 | SILENCIADOR | 233RJ, 233R, 533RS | 1 |
| 2 | 506 61 56-01 | ARRESTER | 233RJ AUS | 1 1 |
| 3 | 504 11 65-01 | TORNILLO | | 2 |
| 4 | 528 07 03-01 | JUNTA | | 1 |
| 5 | 521 61 52-01 | PLACA | | 1 |
| 6 | 521 61 54-01 | LÁMINA | | 2 5 |
| 7 | 504 11 96-01 | TORNILLO | | 2 |

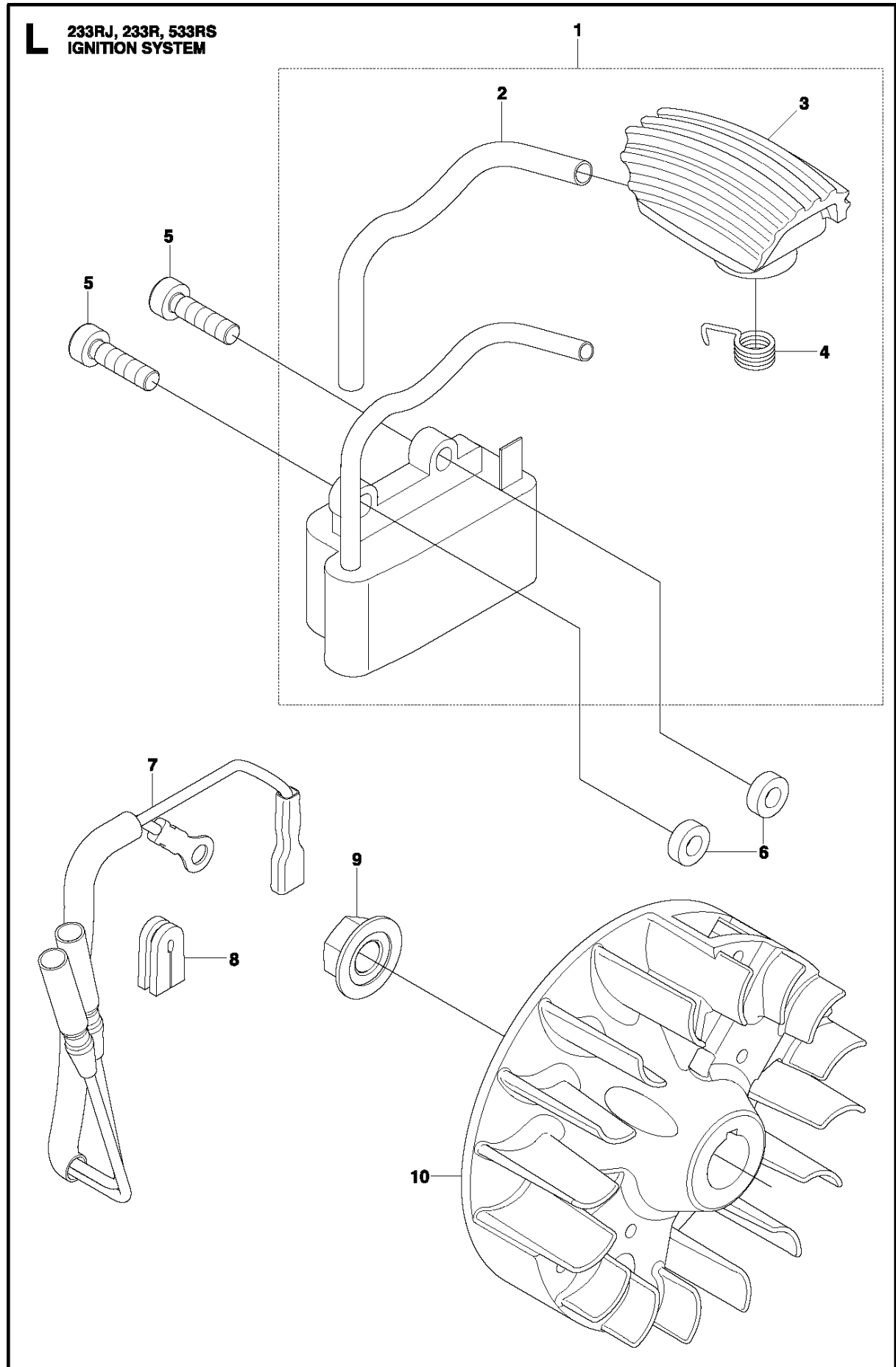


| Ref. | No Pieza | Descripción | Comentario | CTD KIT AD. |
|------|--------------|----------------|-------------|----------------|
| 1 | 528 06 95-01 | CUBIERTA | | 1 |
| 2 | 523 07 13-01 | BOTÓN | | 1 |
| 3 | 512 32 96-01 | FILTRO DE AIRE | | 1 |
| 4 | 504 11 65-01 | TORNILLO | | 2 |
| 5 | 506 67 38-01 | TORNILLO | | 1 8 |
| 6 | 515 38 65-01 | PLATE.CHOKE | | 1 8 |
| 7 | 521 76 05-01 | LEVER CHOKE | | 1 8 |
| 8 | 528 06 94-01 | CUERPO | | 1 |
| 9 | 577 46 26-01 | CARBURADOR | 233R, 533RS | 1 |
| 9 | 528 06 92-01 | CARBURETOR-A | 233RJ | 1 |
| 10 | 506 74 42-01 | CUBIERTA | | 1 |
| 11 | 521 75 50-01 | JUNTA | | 1 |
| 12 | 505 04 04-01 | PERNO | | 4 |
| 13 | 528 07 37-01 | ESPACIADOR | | 1 |
| 14 | 528 07 02-01 | JUNTA | | 1 |

K 233RJ, 233R, 533RS
STARTER

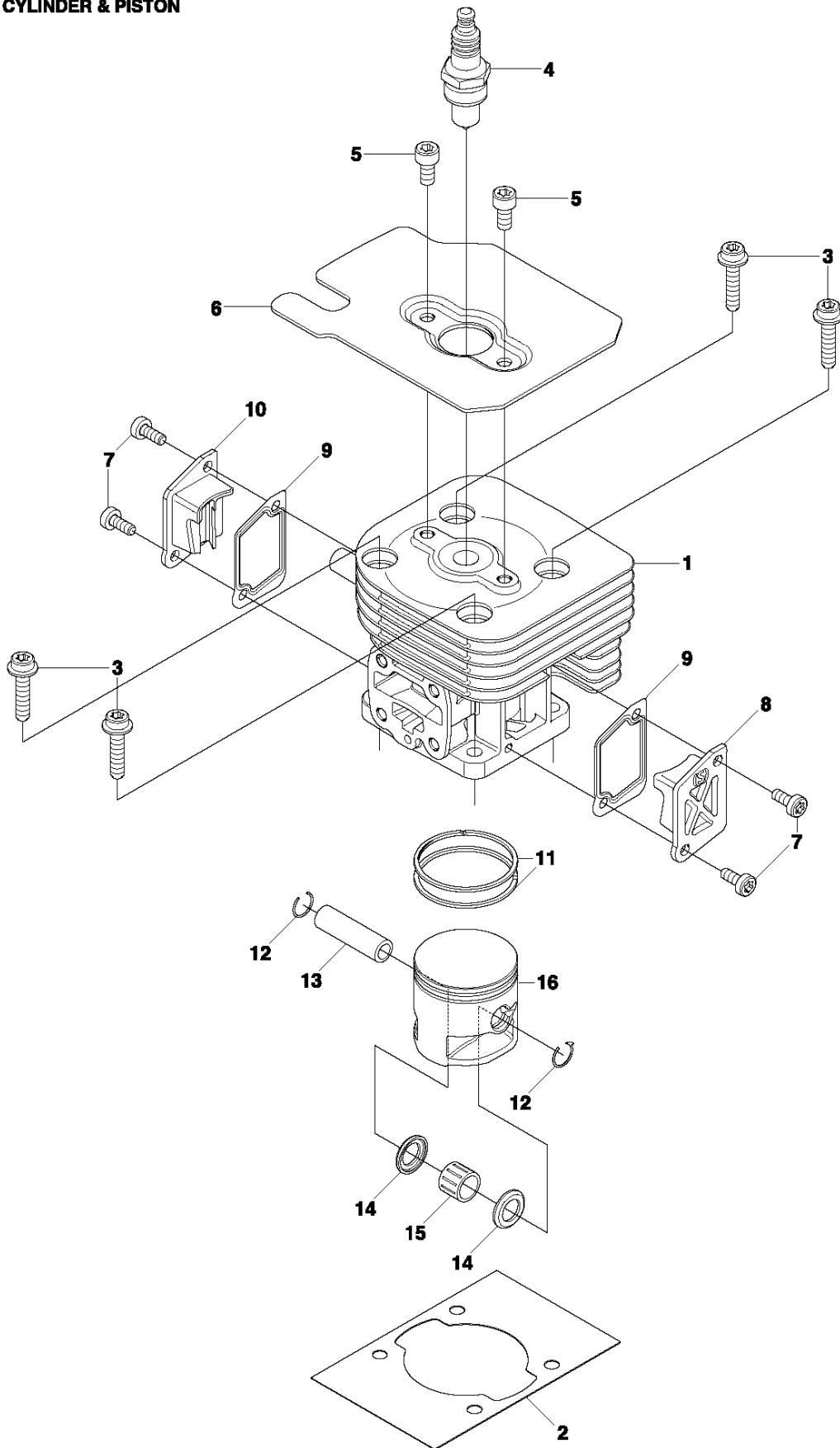


| Ref. | No Pieza | Descripción | Comentario | CTD KIT AD. |
|------|--------------|------------------------------|------------|----------------|
| 1 | 528 06 90-01 | MECANISMO DE ARRANQUE COMPL. | | 1 |
| 2 | 515 36 71-01 | TORNILLO | | 1 1 |
| 3 | 504 11 46-01 | COLLARÍN | | 1 1 |
| 4 | 504 11 48-01 | BRAZO | | 1 1 |
| 5 | 504 11 47-01 | BOBINA | | 1 1 |
| 6 | 504 11 49-01 | CUERDA | | 1 1 |
| 7 | 504 11 50-01 | SPRING.SPIRAL | | 1 1 |
| 8 | 521 61 79-01 | BOTÓN | | 1 1 |
| 9 | 506 74 56-01 | PERNO | | 4 |
| 10 | 578 42 08-01 | ADHESIVO | 533RS | 1 |
| 10 | 528 06 98-01 | LABEL,RECOIL | 233RJ | 1 |
| 11 | 504 11 44-01 | POLEA | | 1 |
| 10 | 577 97 03-01 | ADHESIVO | 233R | 1 |



| Ref. | No Pieza | Descripción | Comentario | CTD KIT AD. |
|------|--------------|---------------------|-------------|-------------|
| 1 | 574 62 53-01 | CARRETE | 233R, 533RS | 1 |
| 1 | 512 33 20-01 | CARRETE | 233RJ | 1 |
| 2 | 506 61 82-01 | TUBO | 233R, 533RS | 1 |
| 2 | 513 76 47-01 | TUBO | 233RJ | 1 |
| 3 | 521 61 00-01 | TAPACUBOS | | 1 1 |
| 4 | 506 65 52-01 | MUELLE | 233R, 533RS | 1 |
| 4 | 521 73 95-01 | MUELLE | 233RJ | 1 |
| 5 | 506 74 57-01 | PERNO | | 2 |
| 6 | 504 11 86-01 | ARANDELA SEPARADORA | | 2 |
| 7 | 512 32 86-01 | CORDÓN | | 1 |
| 8 | 506 61 59-01 | OJAL PARA CABLE | | 1 |
| 9 | 504 11 80-01 | TUERCA | | 1 |
| 10 | 521 76 93-01 | ROTOR | | 1 |

M 233RJ, 233R, 533RS
CYLINDER & PISTON

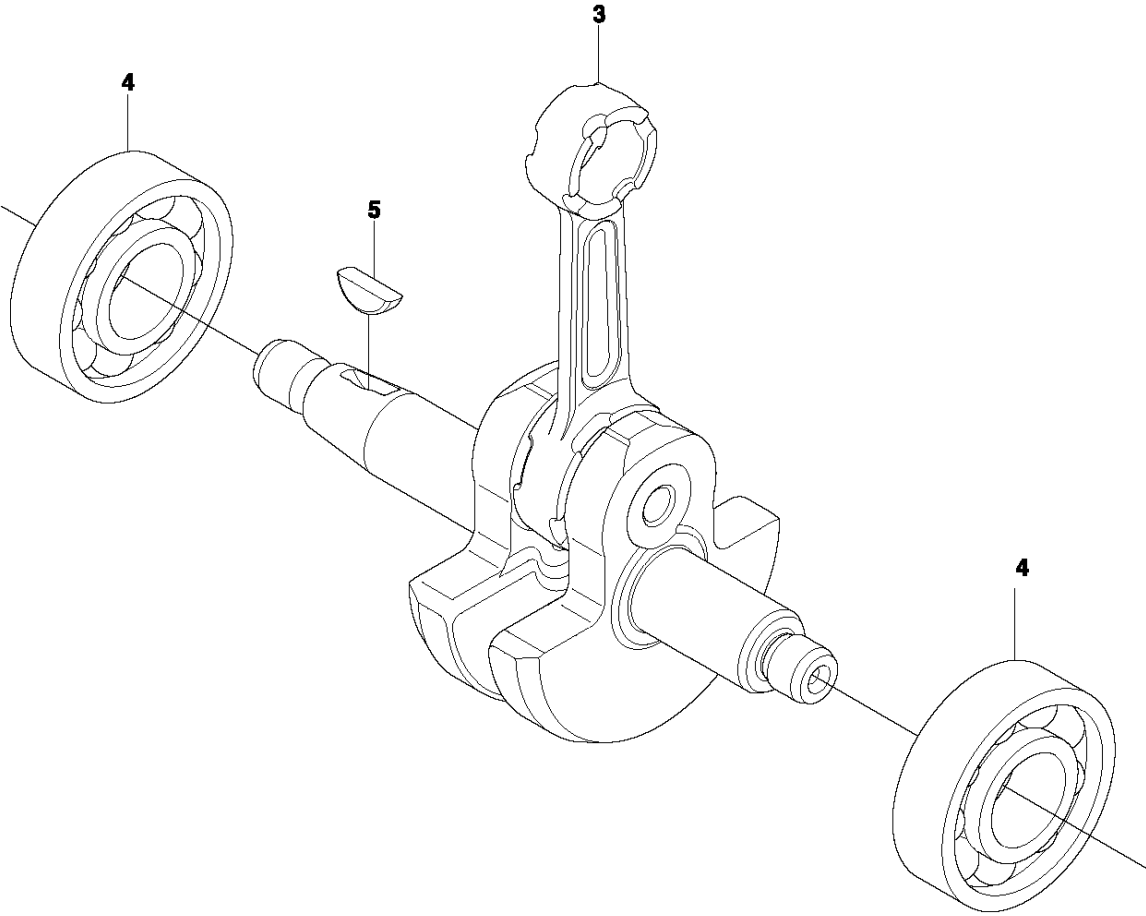


PISTÓN Y CILINDRO

533 RS, 2011-07

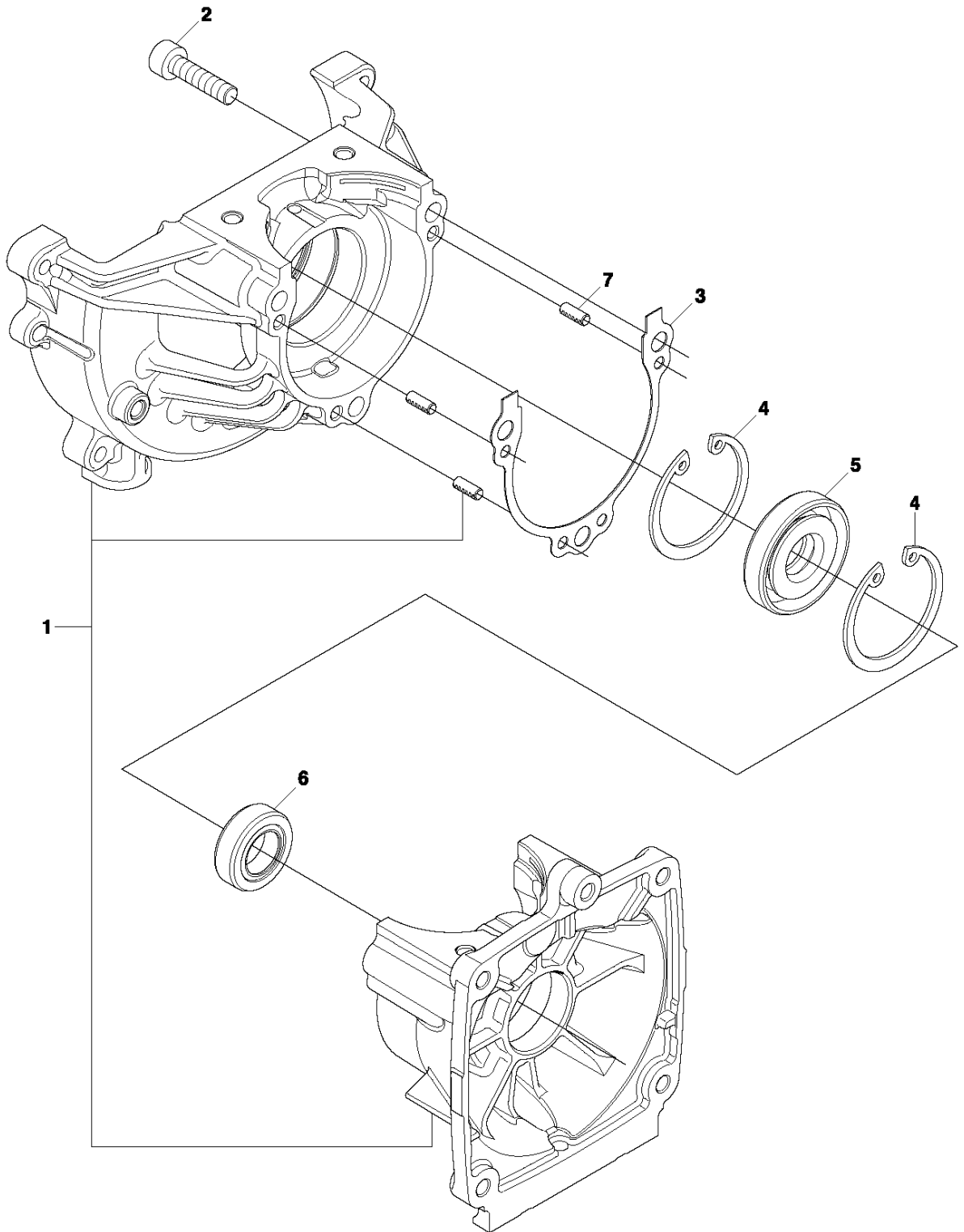
| Ref. | No Pieza | Descripción | Comentario | CTD KIT AD. |
|------|--------------|---------------------|-------------|-------------|
| 1 | 528 07 33-01 | CILINDRO | | 1 |
| 2 | 504 11 91-01 | JUNTA | | 1 |
| 3 | 505 04 04-01 | PERNO | | 4 |
| 4 | 528 07 40-01 | BUJÍA | | 1 |
| 5 | 504 11 96-01 | TORNILLO | | 2 |
| 6 | 576 81 06-01 | PLACA | 233R, 533RS | 1 |
| 7 | 504 11 92-01 | TORNILLO | | 4 |
| 8 | 521 61 45-01 | CUBIERTA | | 1 |
| 9 | 521 61 48-01 | JUNTA | | 2 |
| 10 | 521 61 47-01 | CUBIERTA | | 1 |
| 11 | 521 75 54-01 | ANILLO | | 2 |
| 12 | 504 12 09-01 | ANILLO DE SEGURIDAD | | 2 |
| 13 | 504 12 06-01 | BULÓN DE PISTÓN | | 1 |
| 14 | 504 12 02-01 | ARANDELA | | 2 |
| 15 | 504 12 01-01 | RODAMIENTO | | 1 |
| 16 | 528 07 38-01 | PISTÓN | | 1 |
| 6 | 528 06 87-01 | PLATE,CYLINDER | 233RJ | 1 |

N 233RJ, 233R, 533RS
CRANK SHAFT

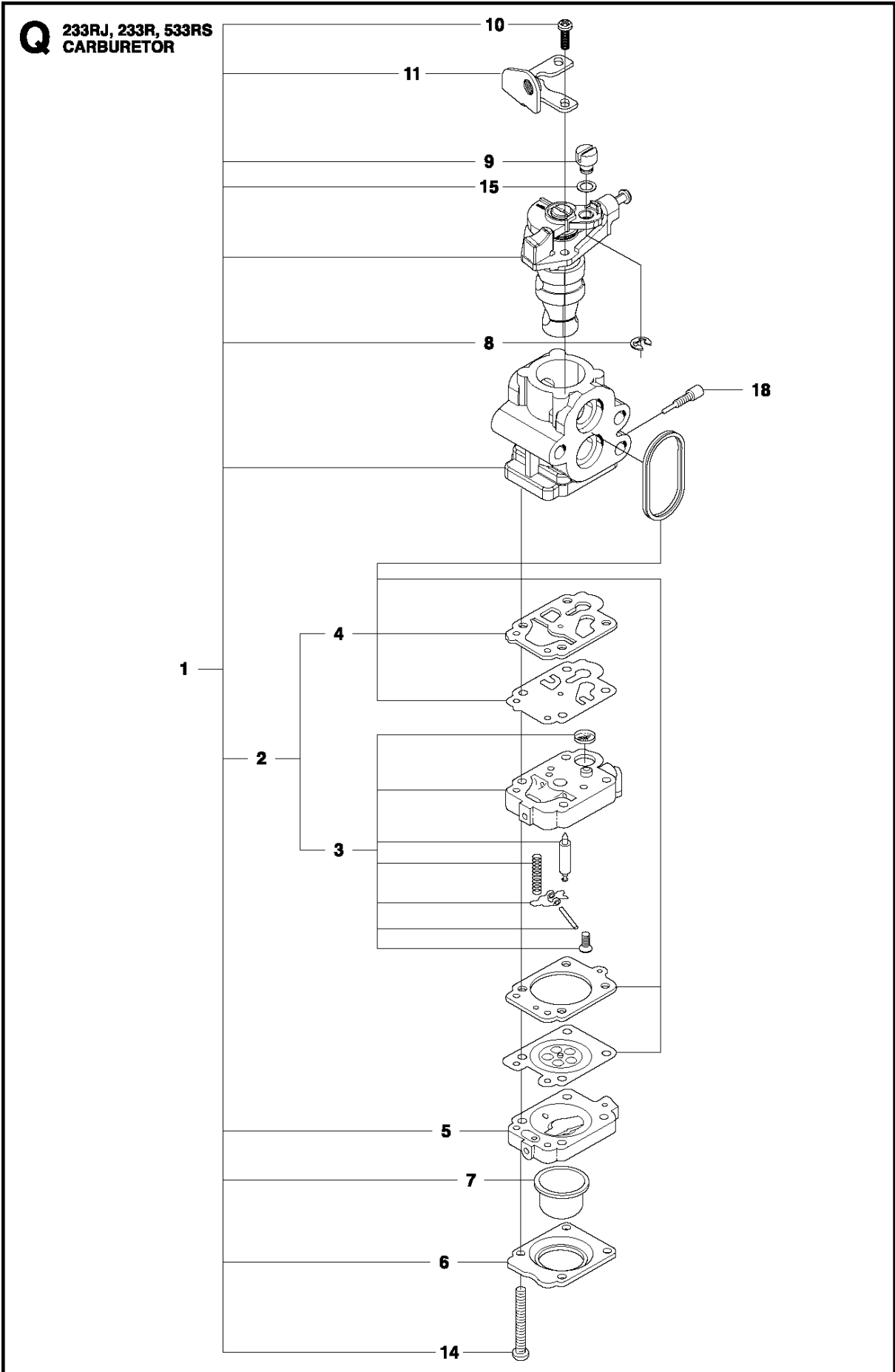


| Ref. | No Pieza | Descripción | Comentario | CTD KIT AD. |
|------|--------------|-------------|------------|-------------|
| 3 | 521 61 60-01 | SHAFT-COMP | | 1 |
| 4 | 504 12 14-01 | RODAMIENTO | | 2 |
| 5 | 506 68 94-01 | TECLA | | 1 |

P 233RJ, 233R, 533RS
CRANKCASE

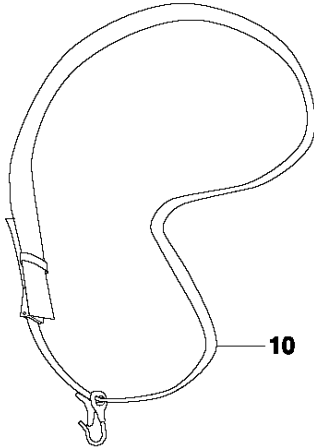
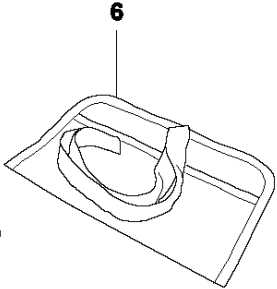
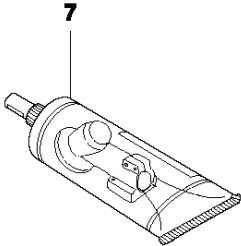
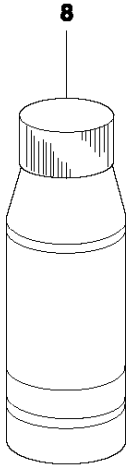
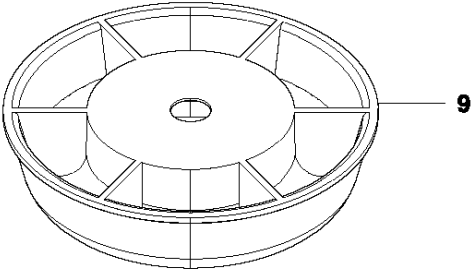
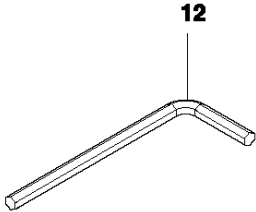
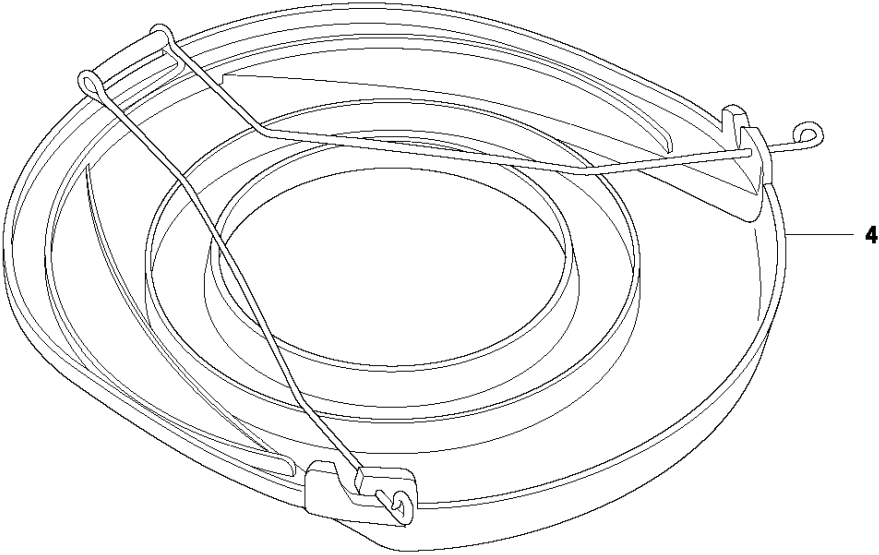
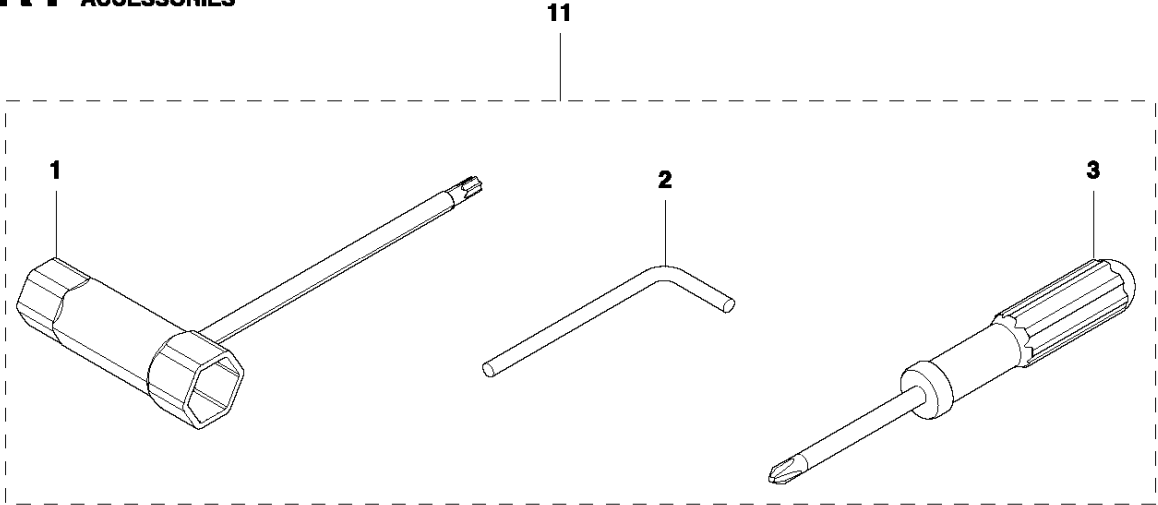


| Ref. | No Pieza | Descripción | Comentario | CTD KIT AD. |
|------|--------------|---------------------|------------|-------------|
| 1 | 521 61 55-01 | CASE-COMP | | 1 |
| 2 | 504 11 43-01 | TORNILLO | | 3 |
| 3 | 504 12 12-01 | JUNTA | | 1 |
| 4 | 504 12 10-01 | ANILLO DE SEGURIDAD | | 2 |
| 5 | 505 29 67-01 | SELLO | | 1 |
| 6 | 504 12 15-01 | JUNTA | | 1 |
| 7 | 505 29 61-01 | CLAVIJA | | 3 |



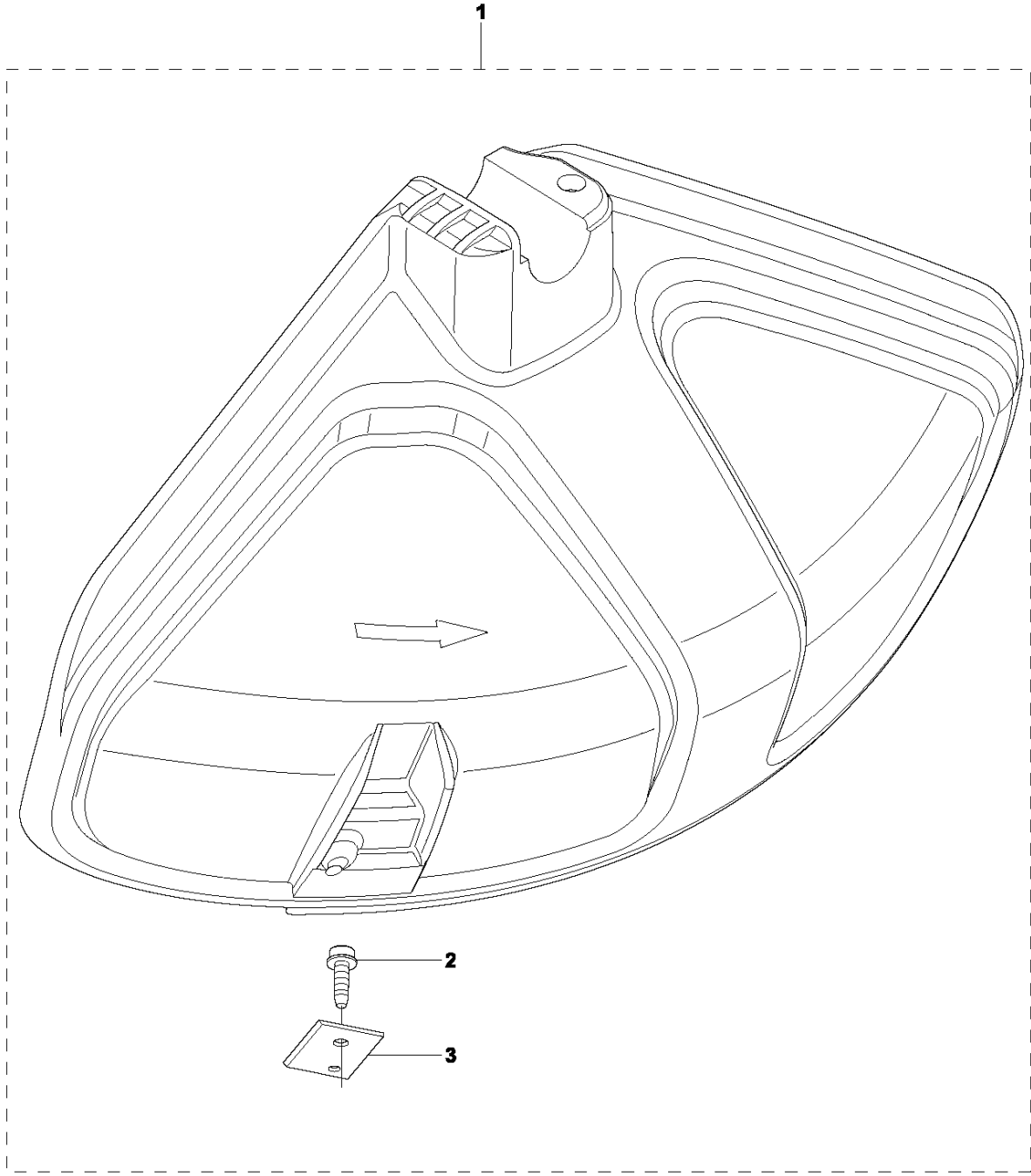
| Ref. | No Pieza | Descripción | Comentario | CTD KIT AD. | |
|------|--------------|-----------------------|-------------|-------------|-----|
| 1 | 577 46 26-01 | CARBURADOR | 233R, 533RS | 1 | |
| 1 | 528 06 92-01 | CARBURETOR-A | 233RJ | 1 | |
| 2 | 528 07 01-01 | JUEGO DE JUNTAS | | 1 | 1 |
| 3 | 502 23 84-01 | CUERPO DEL CARBURADOR | | 1 | 1,2 |
| 4 | 515 37 87-01 | JUEGO DE JUNTAS | | 1 | 1,2 |
| 5 | 506 74 09-01 | CUERPO | | 1 | 1 |
| 6 | 506 74 10-01 | CUBIERTA | | 1 | 1 |
| 7 | 505 30 67-01 | BOMBA | | 1 | 1 |
| 8 | 506 73 86-01 | ANILLO RETENEDOR | | 1 | 1 |
| 9 | 506 74 12-01 | PASADOR | | 1 | 1 |
| 10 | 505 30 79-01 | TORNILLO | | 1 | 1 |
| 11 | 506 74 60-01 | SOPORTE | | 1 | 1 |
| 14 | 506 74 11-01 | TORNILLO | | 4 | 1 |
| 15 | 506 74 61-01 | ARANDELA | | 1 | 1 |
| 18 | 511 35 14-01 | AGUJA | | 1 | |

R1 233RJ, 233R, 533RS
ACCESSORIES



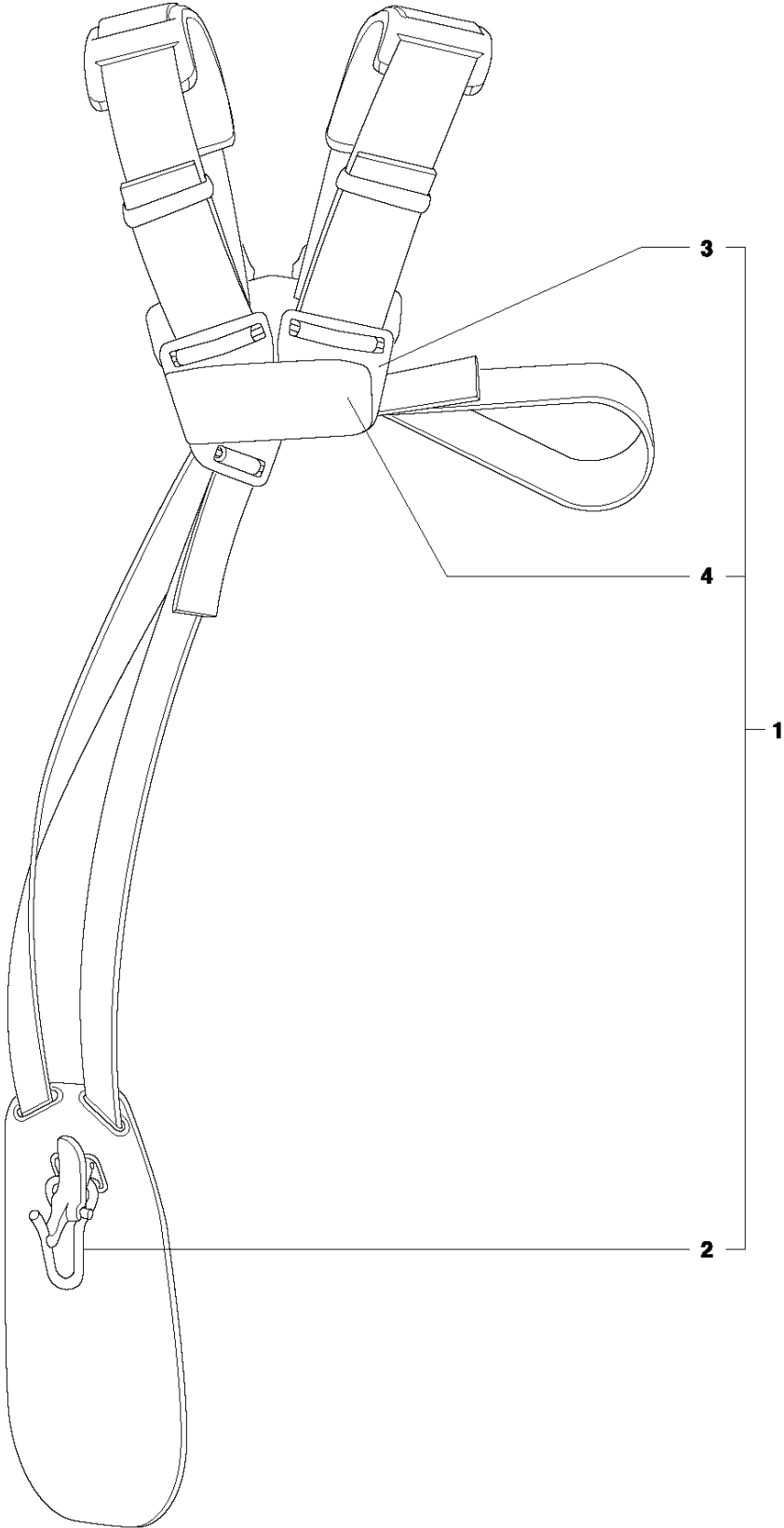
| Ref. | No Pieza | Descripción | Comentario | CTD KIT AD. |
|------|--------------|----------------------------|------------|----------------|
| 1 | 506 68 61-01 | LLAVE COMBINADA | | 1 11 |
| 2 | 505 31 20-01 | HERRAMIENTA | | 1 11 |
| 3 | 506 68 95-01 | ARRASTRADOR | | 1 11 |
| 4 | 537 31 29-01 | PROTECCIÓN PARA TRANSPORTE | | 1 |
| 6 | 501 19 22-01 | HERRAMIENTA | | 1 |
| 7 | 503 97 64-01 | GRASA | | 1 |
| 8 | 531 00 92-48 | ACEITE DE FILTRO | | 1 |
| 9 | 503 89 01-01 | CAZOLETA DE APOYO | | 1 |
| 10 | 537 21 62-01 | ARNÉS | 233RJ | 1 |
| 11 | 529 26 53-01 | TOOL SET | | 1 |
| 12 | 505 31 19-01 | LLAVE | | 1 |

R2 233RJ, 233R, 533RS
ACCESSORIES



| Ref. | No Pieza | Descripción | Comentario | CTD KIT AD. |
|------|--------------|----------------|------------|----------------|
| 1 | 503 93 42-02 | COMBI GUARD | | 1 |
| 2 | 503 21 07-16 | TORNILLO IHSCT | | 1 1 |
| 3 | 503 79 88-01 | CUCHILLA | | 1 1 |

S 233R, 533RS
HARNESS



| Ref. | No Pieza | Descripción | Comentario | CTD KIT AD. |
|------|--------------|--------------------|------------|----------------|
| 1 | 537 21 63-01 | ARNÉS | | 1 |
| 2 | 502 02 28-02 | CANCHO PARA COLGAR | | 1 1 |
| 3 | 503 73 40-01 | FRONT PIECE | | 1 1 |
| 4 | 503 73 41-02 | FRONT PIECE | | 1 1 |